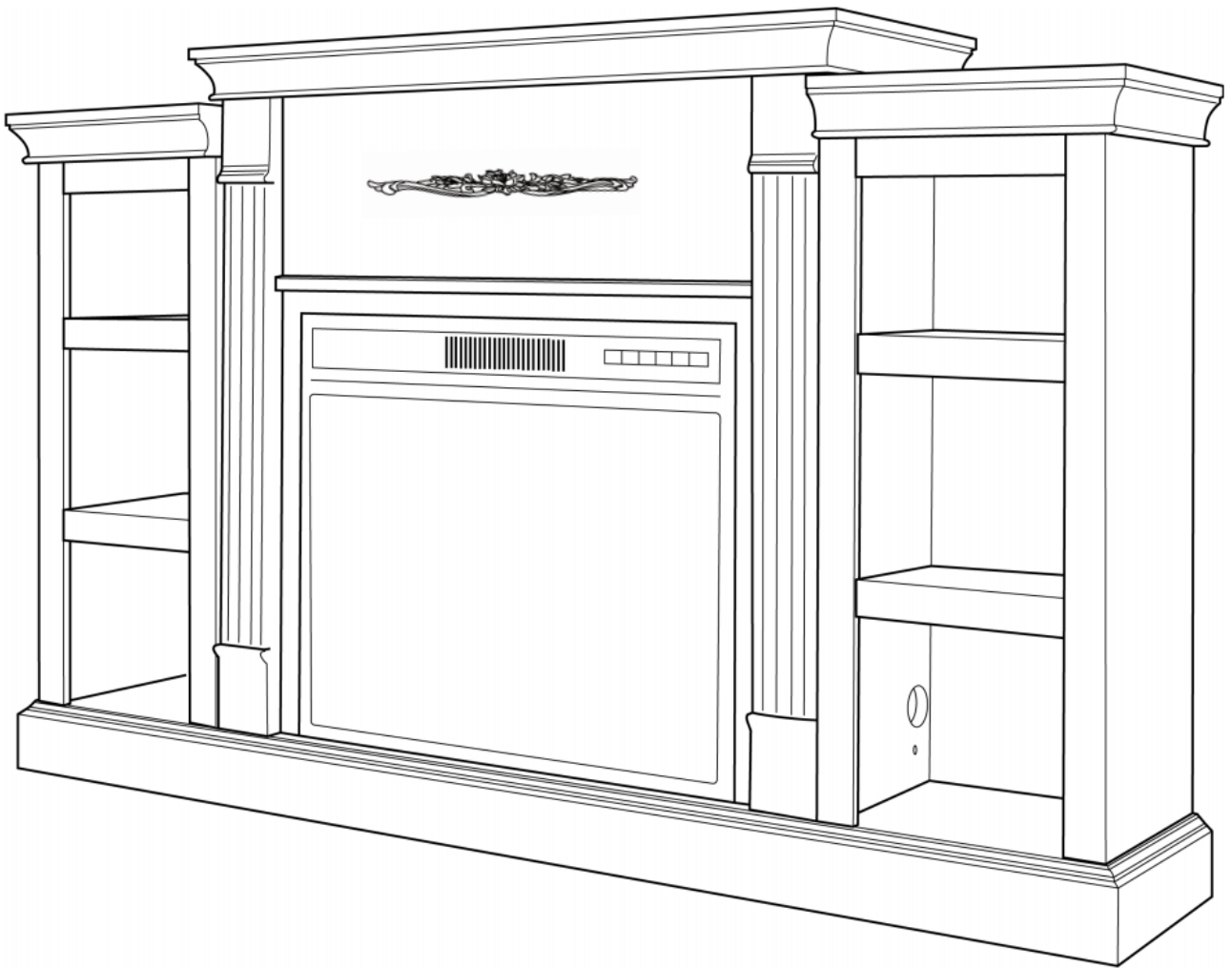


# USER MANUAL



## 70" Mantel

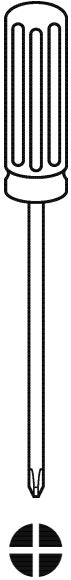
**⚠ CAUTION! WARNING:** Do not assemble yourself before reading these instructions.



Estimated Time for Assembly

**120 mins**

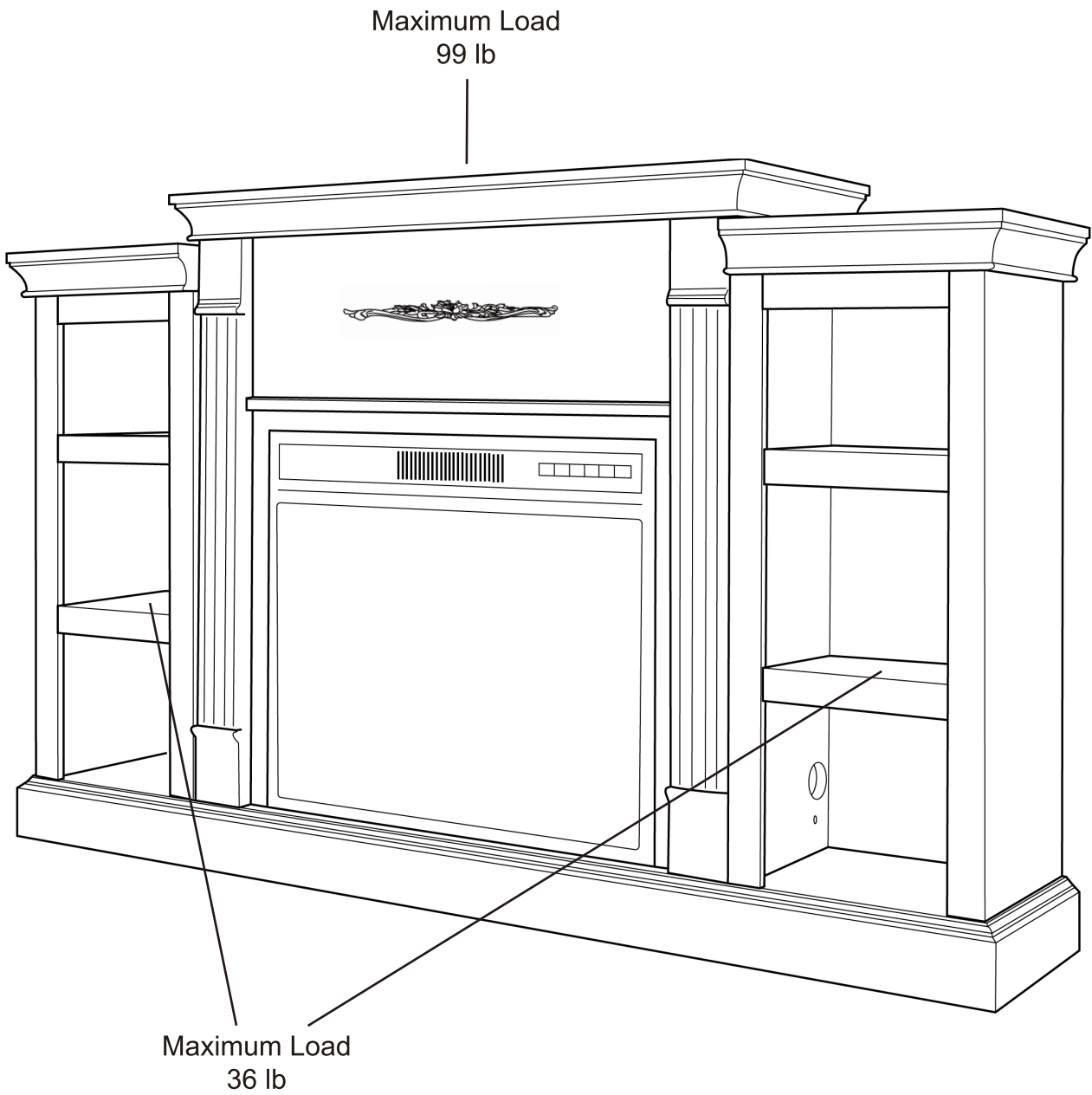
Tools Needed (Not included)

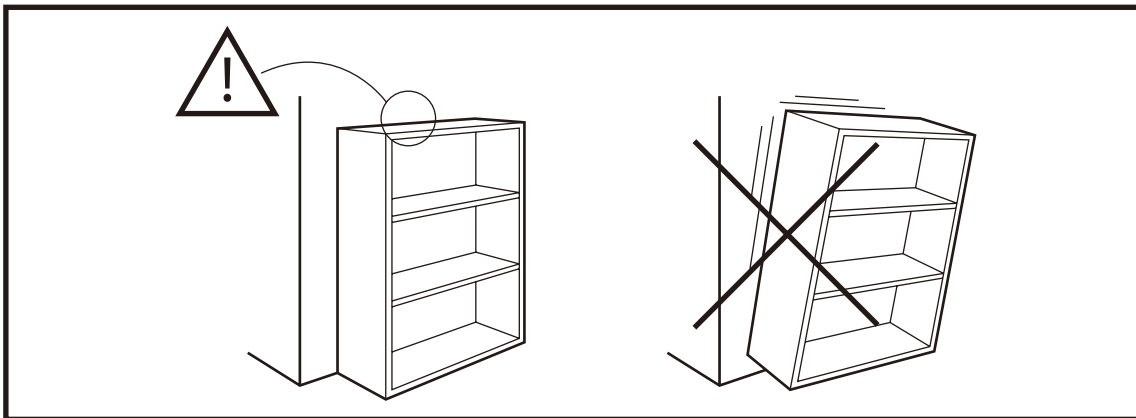




Weight Limitation

**36 lb** Shelf **99 lb** Top

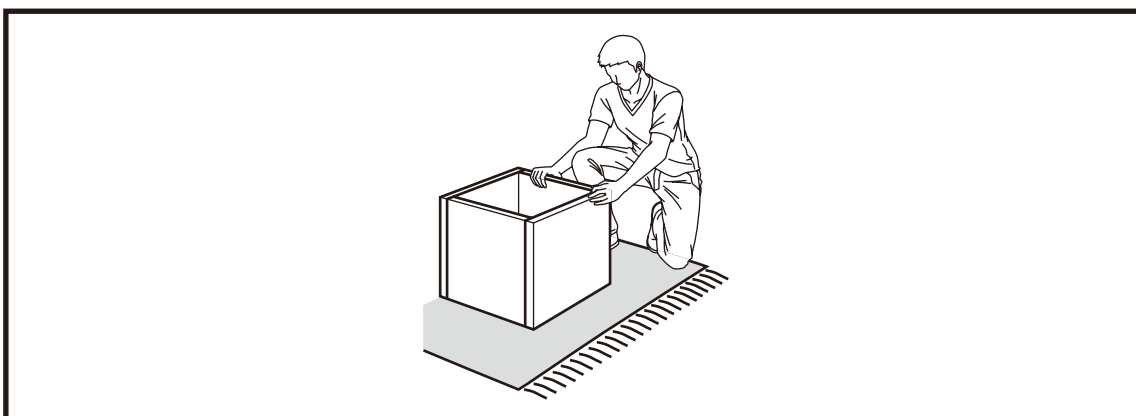




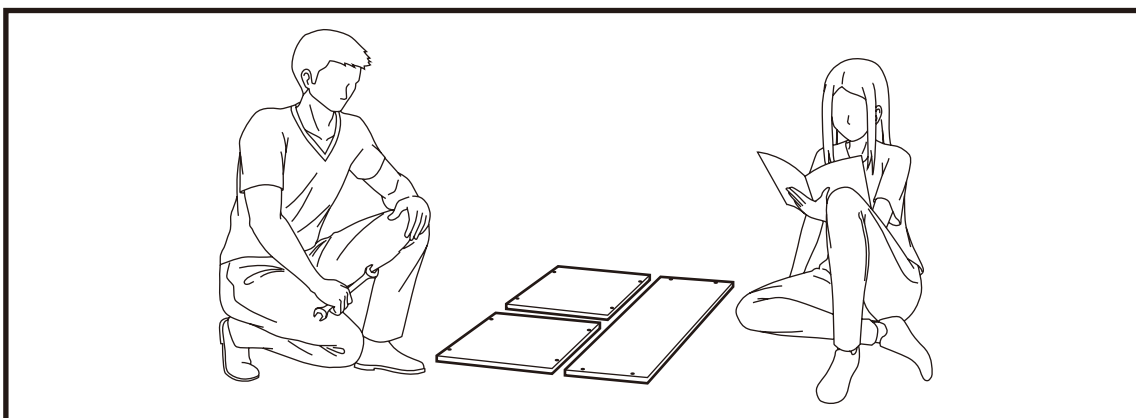
## Warning

Serious or fatal crushing injuries may occur if the furniture tip-over. Furniture must permanently fixed to the wall with included anti-tipping device to prevent the furniture from tipping over.

Different wall materials requires different types of fixing device, Use suitable fixing device to secure the stability and load bearing capacity of the furniture. If you are uncertain about which type of fixing device to use, please contact your local hardware store.



Assembly the furniture on empty carton, carpet, or rug to prevent scratches or damage.

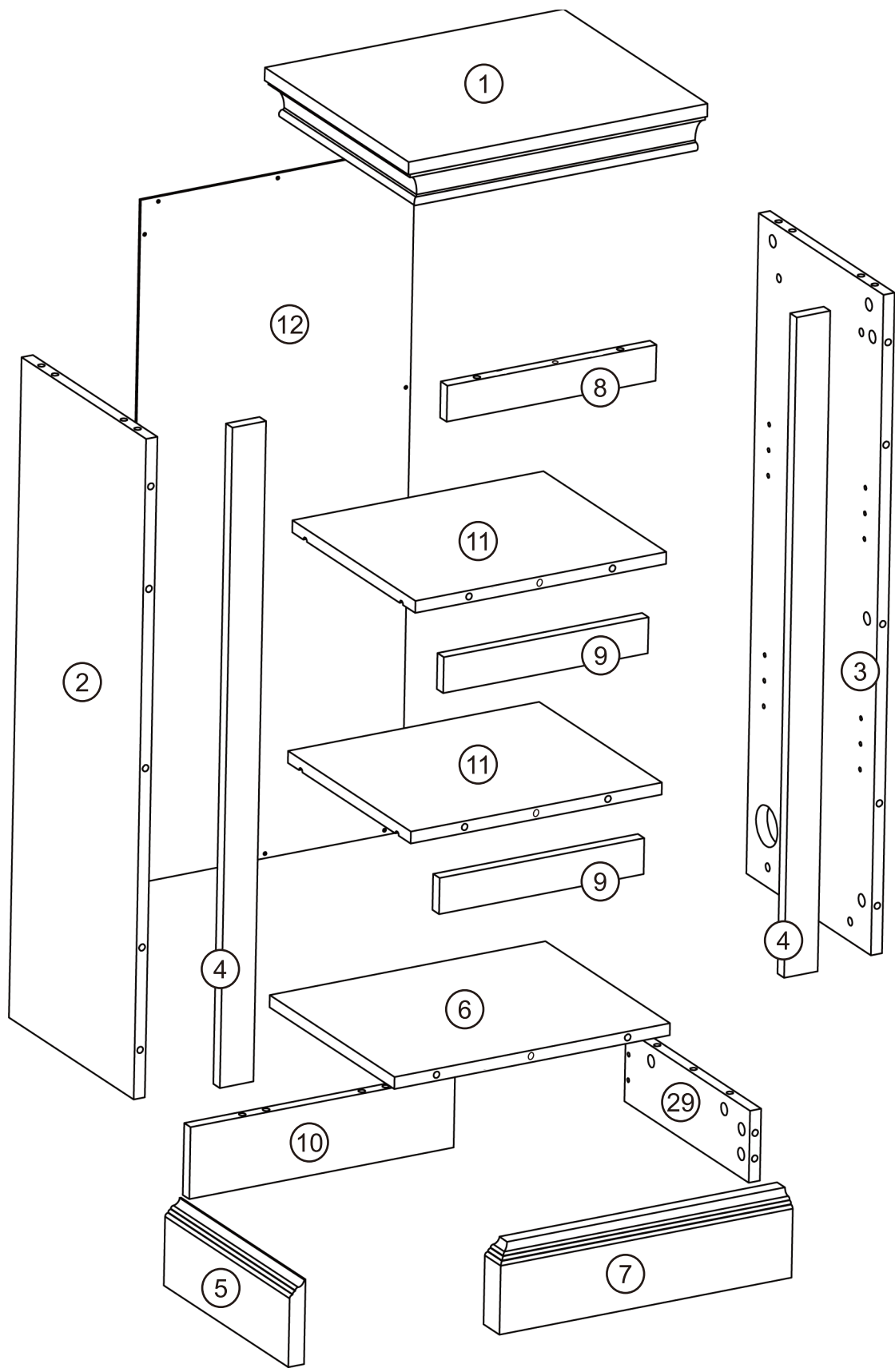


This furniture requires 2 people to assembly.

Make sure no parts are missing or damaged before assembly.

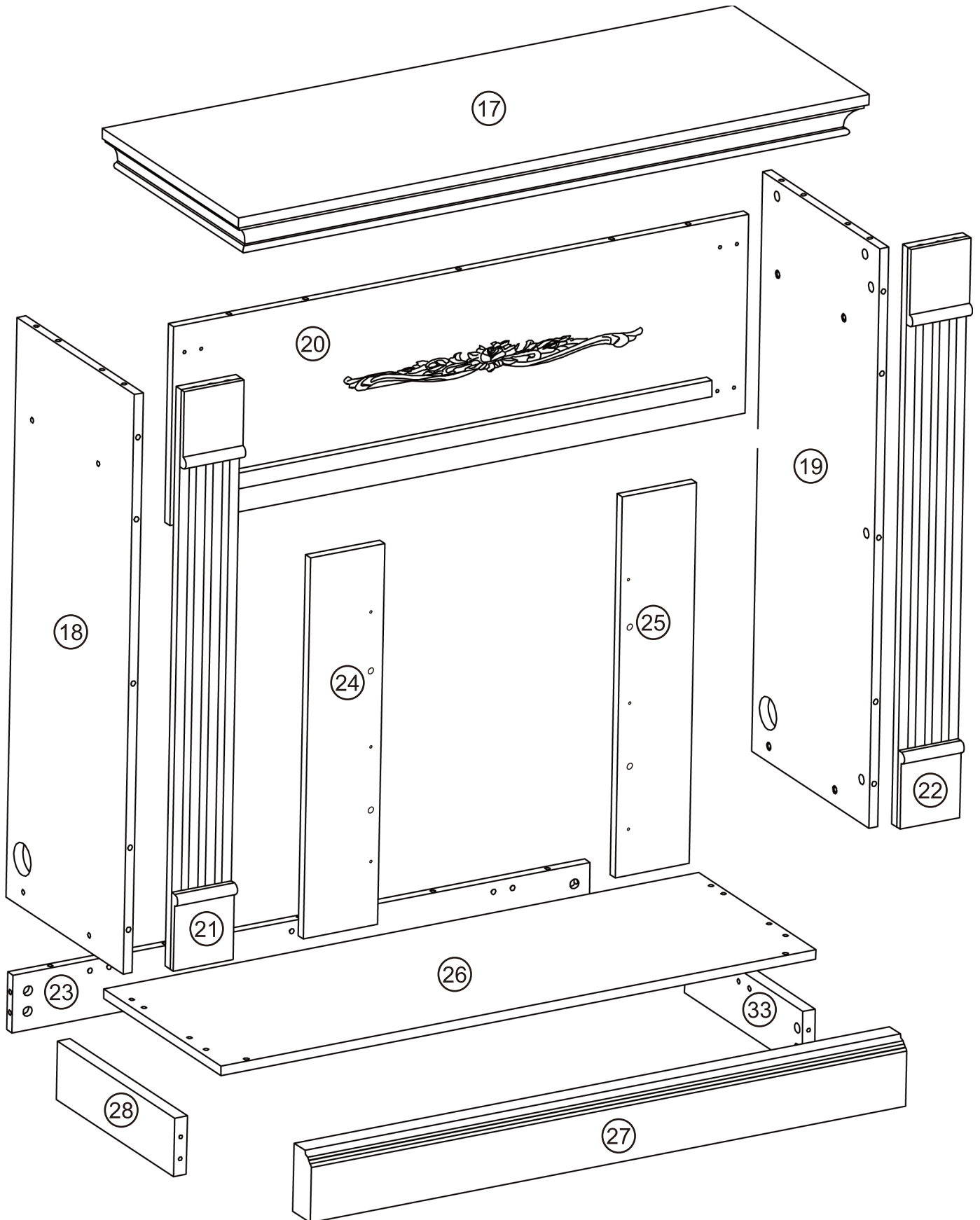
# PACKAGE CONTENT

## Left Cabinet



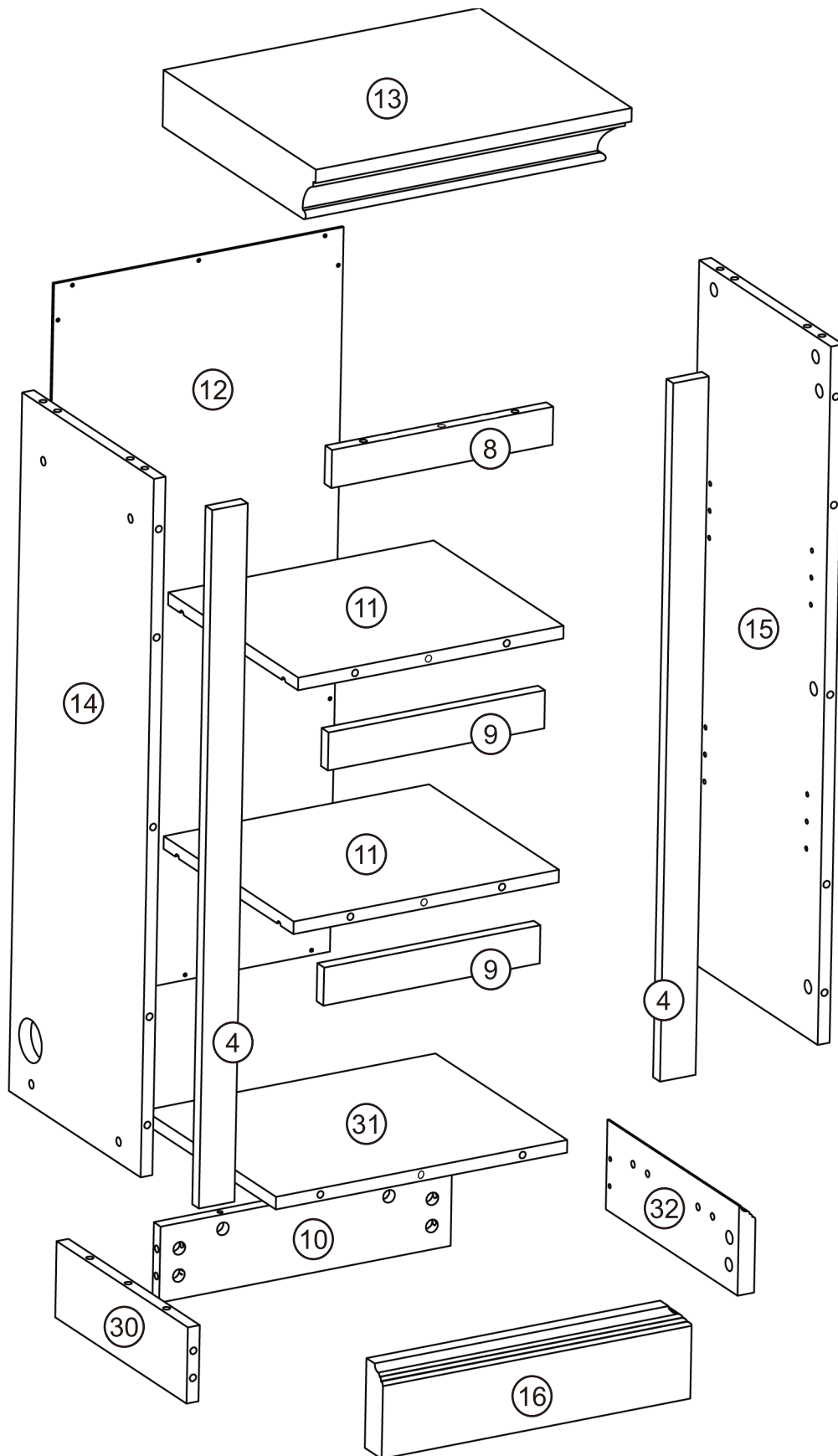
# PACKAGE CONTENT

## Middle Cabinet



# PACKAGE CONTENT

## Right Cabinet



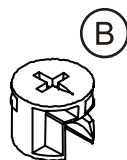
CODE	DESCRIPTION	QTY
1	Left Cabinet Panel	1
2	Left Cabinet Left Side Panel	1
3	Left Cabinet Right Side Panel	1
4	Left and Right Front Risers	4
5	Left Cabinet Left Leg	1
6	Left Cabinet Bottom Plate	1
7	Left Cabinet Front Leg	1
8	Bottom Bar	2
9	Limination Bar	4
10	Back Leg	2
11	Laminates	4
12	Back Plane	2
13	Right Panel	1
14	Right Cabinet Left Side Panel	1
15	Right Cabinet Right Side Panel	1
16	Right Cabinet Front Leg	1

CODE	DESCRIPTION	QTY
17	Center Panel	1
18	Middle Cabinet Left Side Panel	1
19	Middle Cabinet Right Side Panel	1
20	Middle Cabinet Front Cross Plate	1
21	Middle Cabinet Left Vertical Plate	1
22	Middle Cabinet Right Vertical Plate	1
23	Middle Cabinet Back Leg	1
24	Left Hand Grate	1
25	Right Hand Grate	1
26	Middle Cabinet Bottom Plate	1
27	Middle Cabinet Front Leg	1
28	Middle Cabinet Left Foot Bar	1
29	Left Cabinet Right Leg	1
30	Right Cabinet Left Leg	1
31	Right Cabinet Floor	1
32	Right Cabinet Right Leg	1
33	Middle Cabinet Right Leg Bar	1

# PACKAGE CONTENT



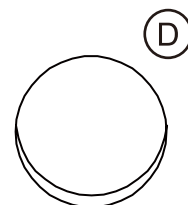
91x + 2



91x + 2



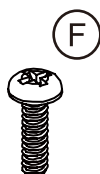
46x + 1



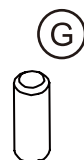
52x + 2



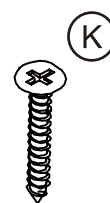
16x



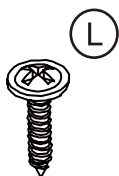
8x



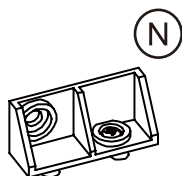
4x



10x



22x + 1



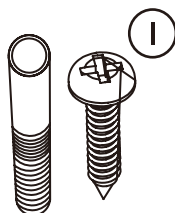
16x



32x

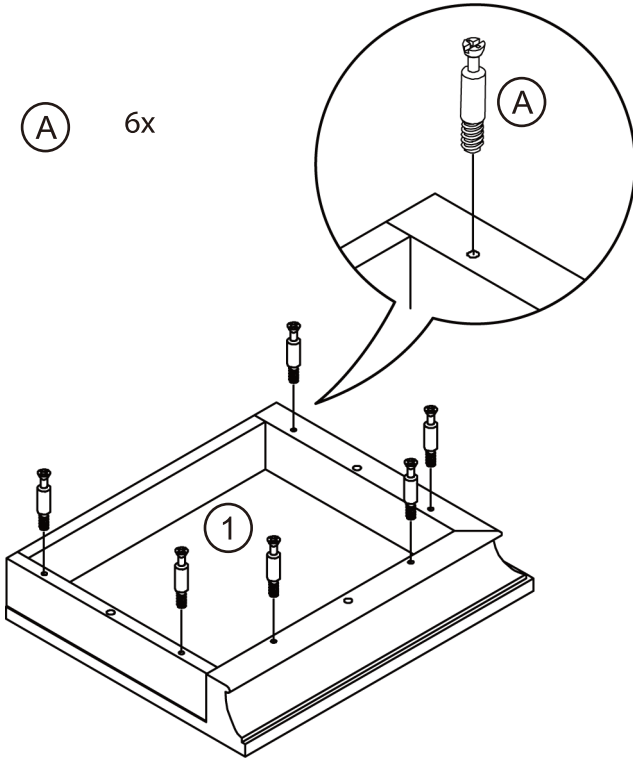


2x

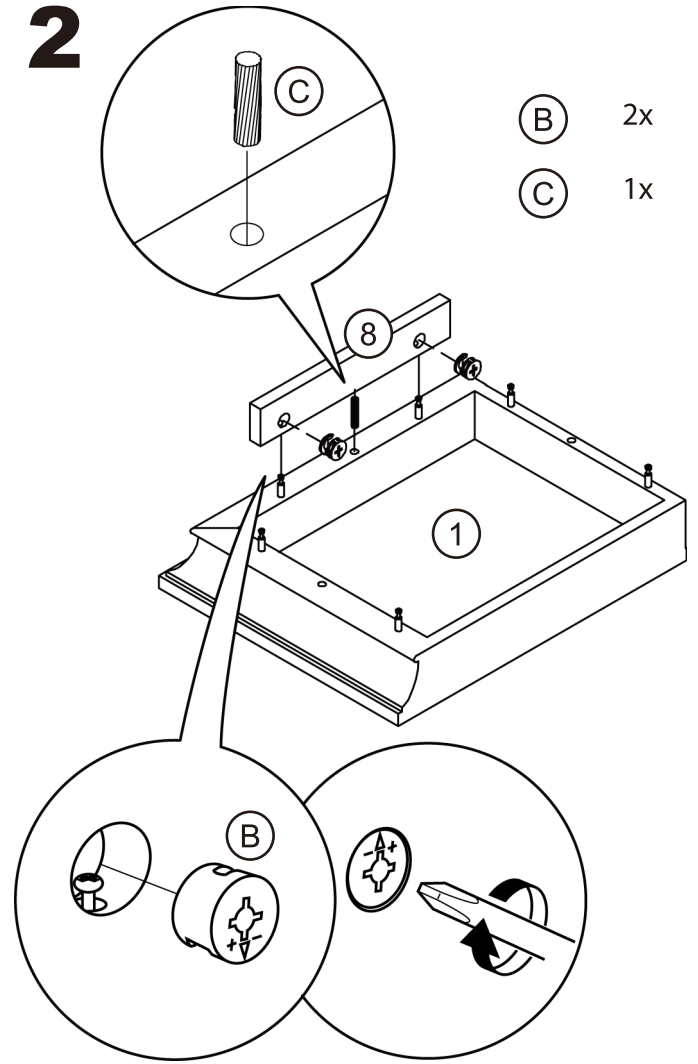


2x

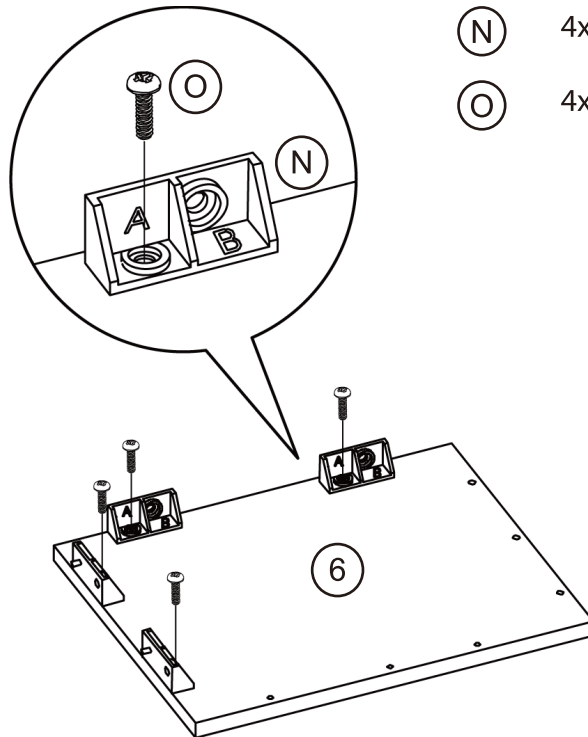
# 1



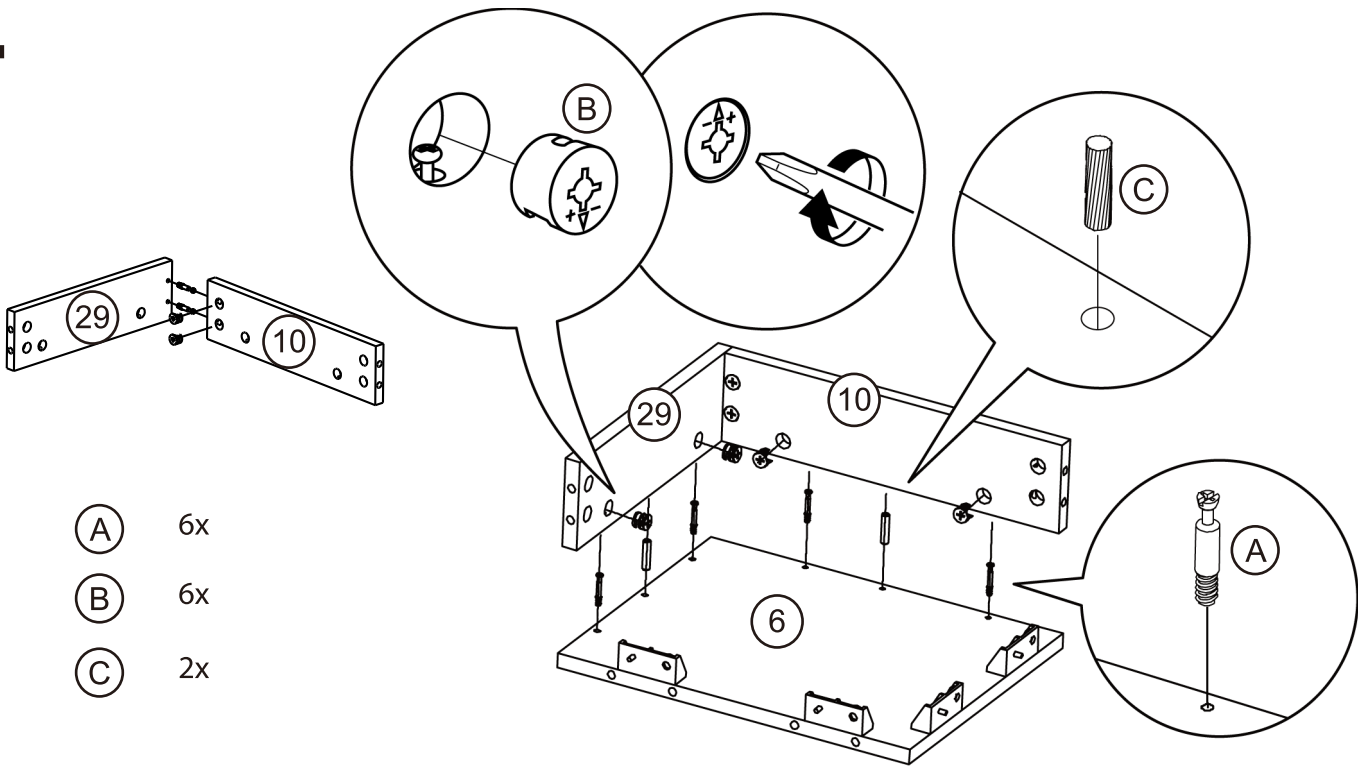
# 2



# 3

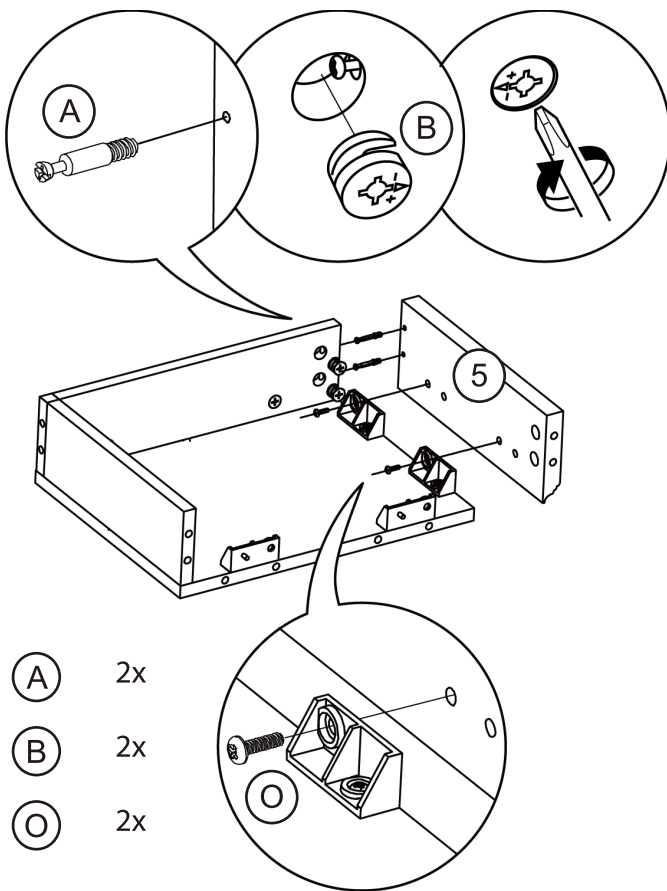


# 4



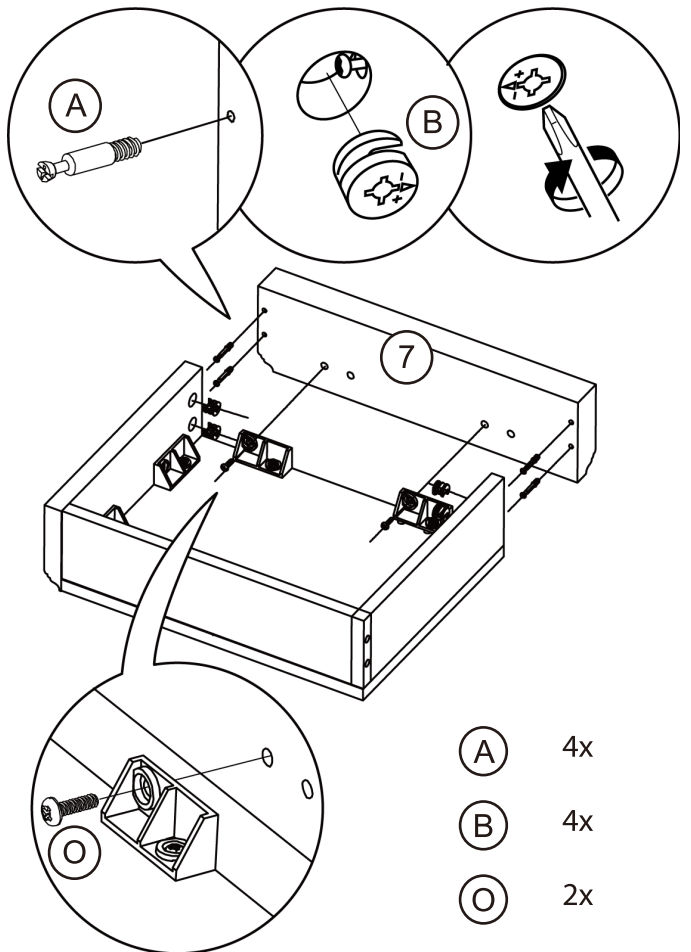
- (A) 6x
- (B) 6x
- (C) 2x

# 5



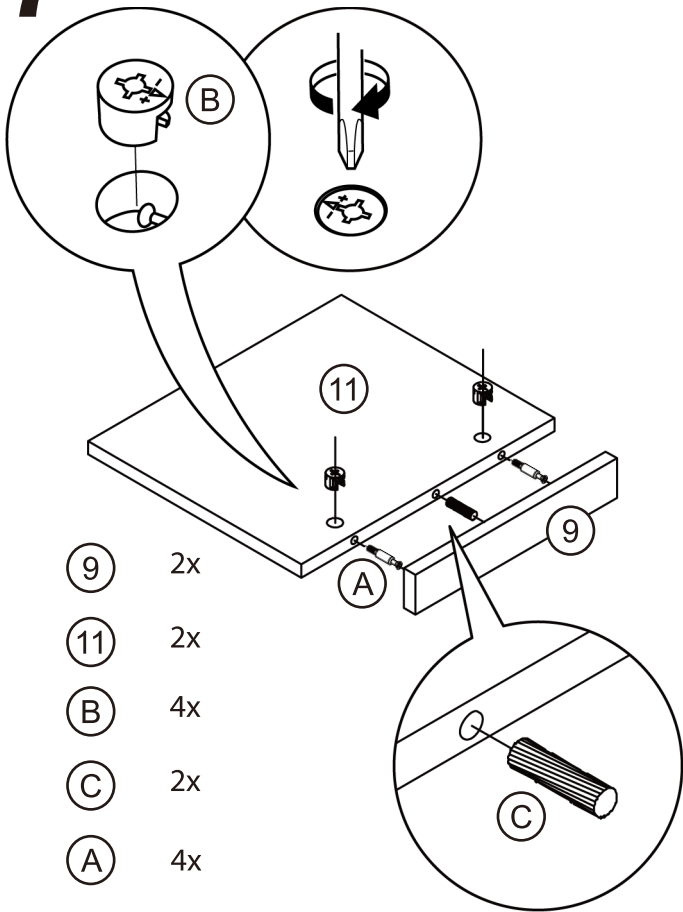
- (A) 2x
- (B) 2x
- (C) 2x

# 6

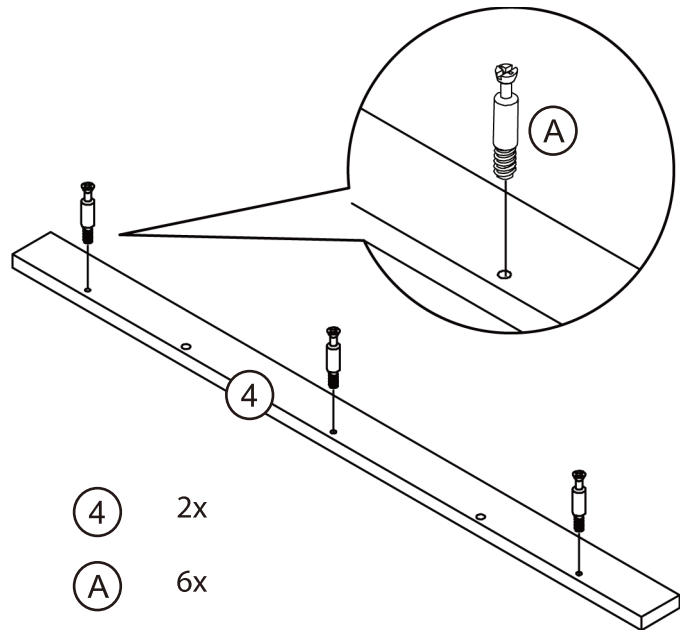


- (A) 4x
- (B) 4x
- (C) 2x

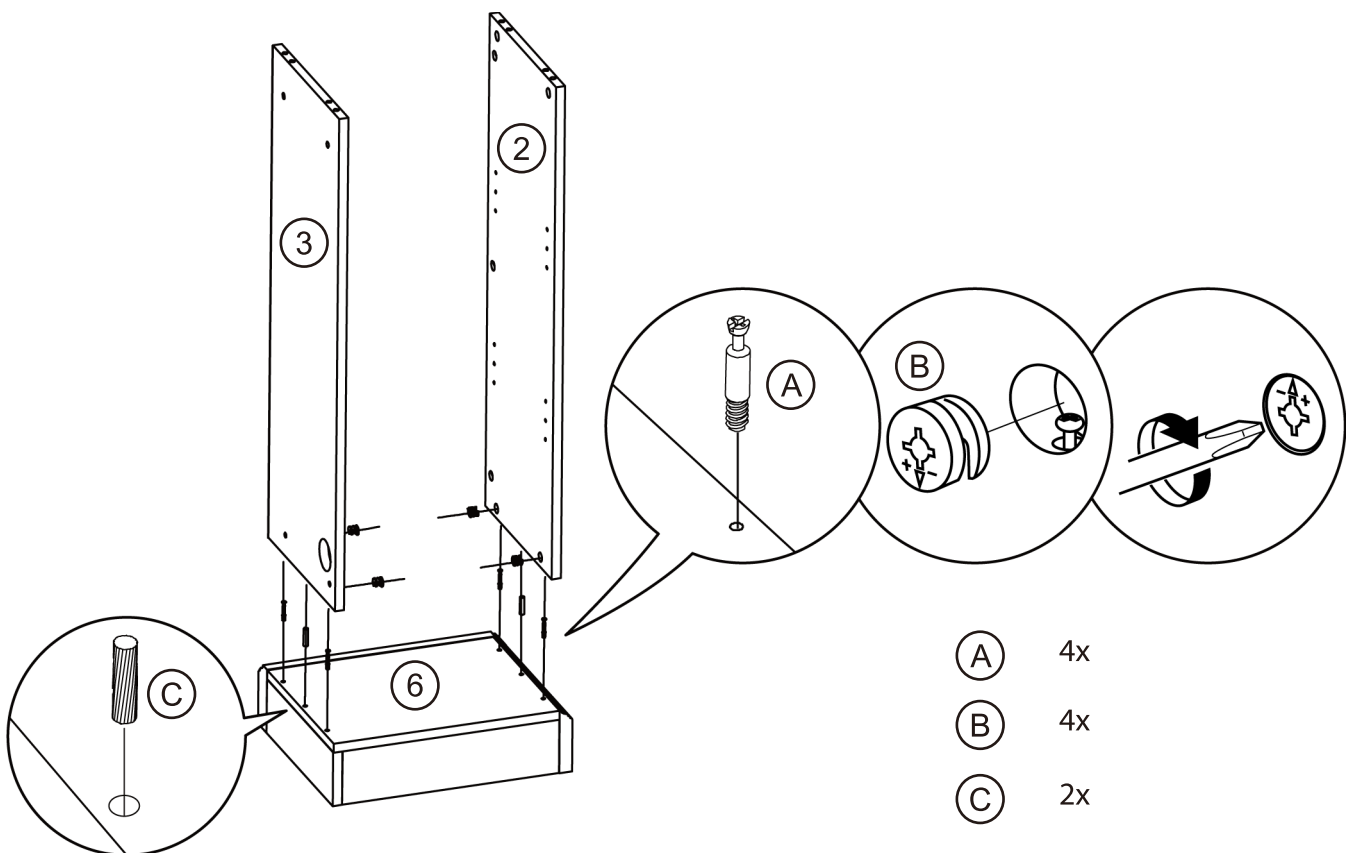
# 7



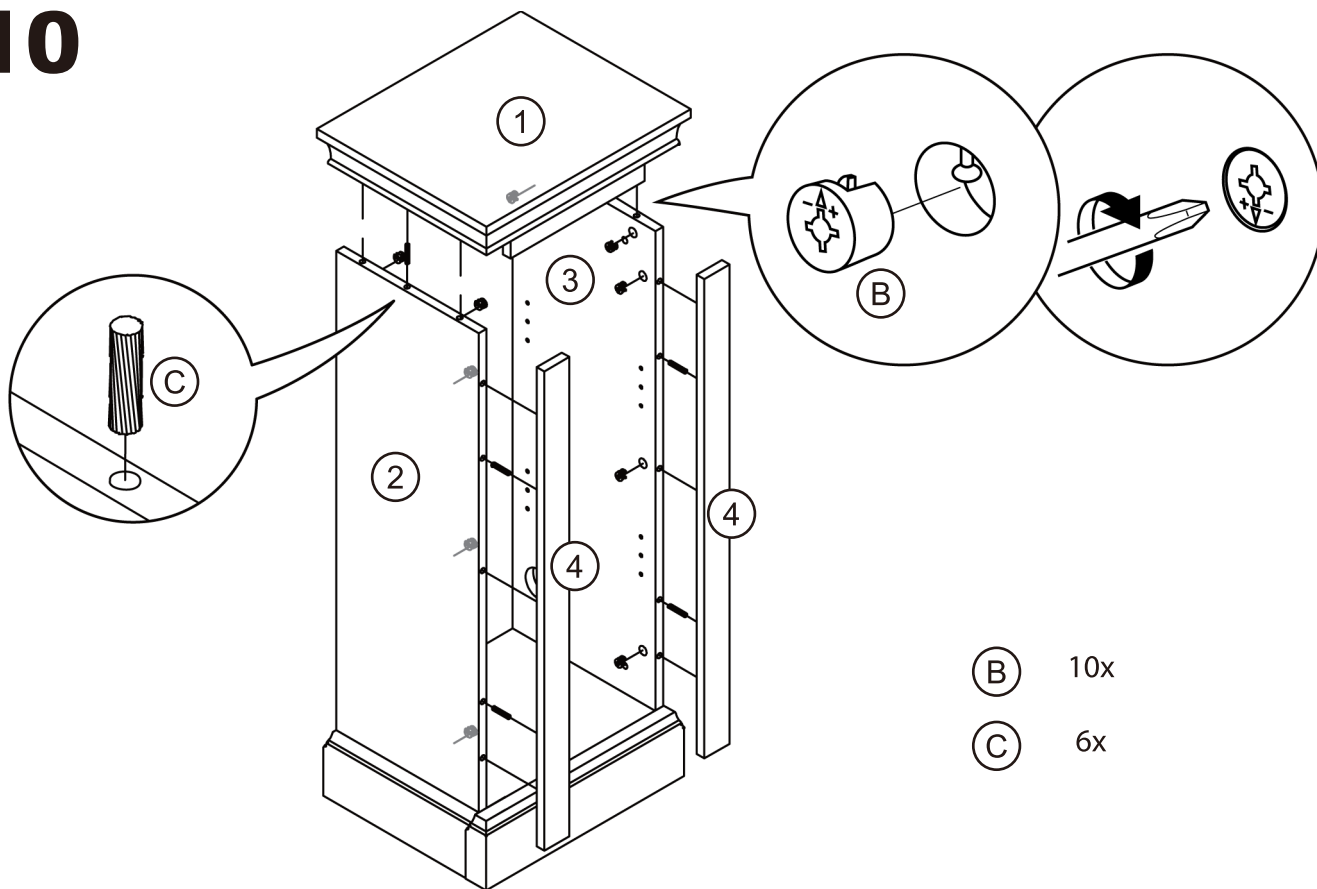
# 8



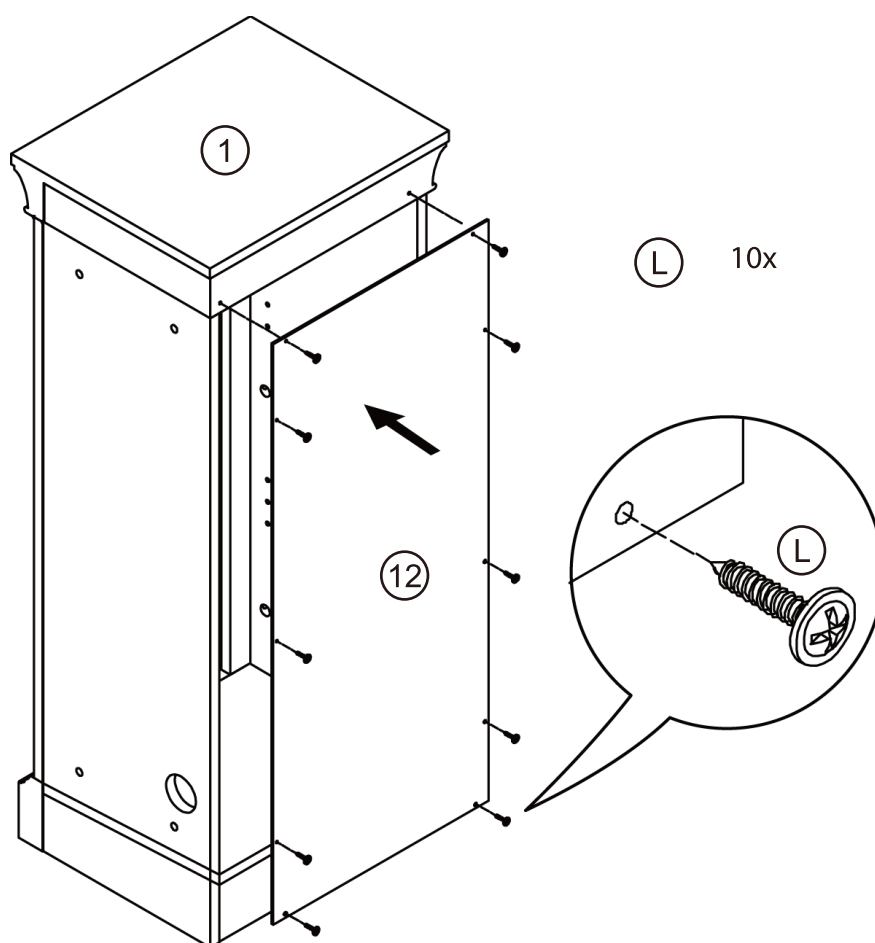
# 9



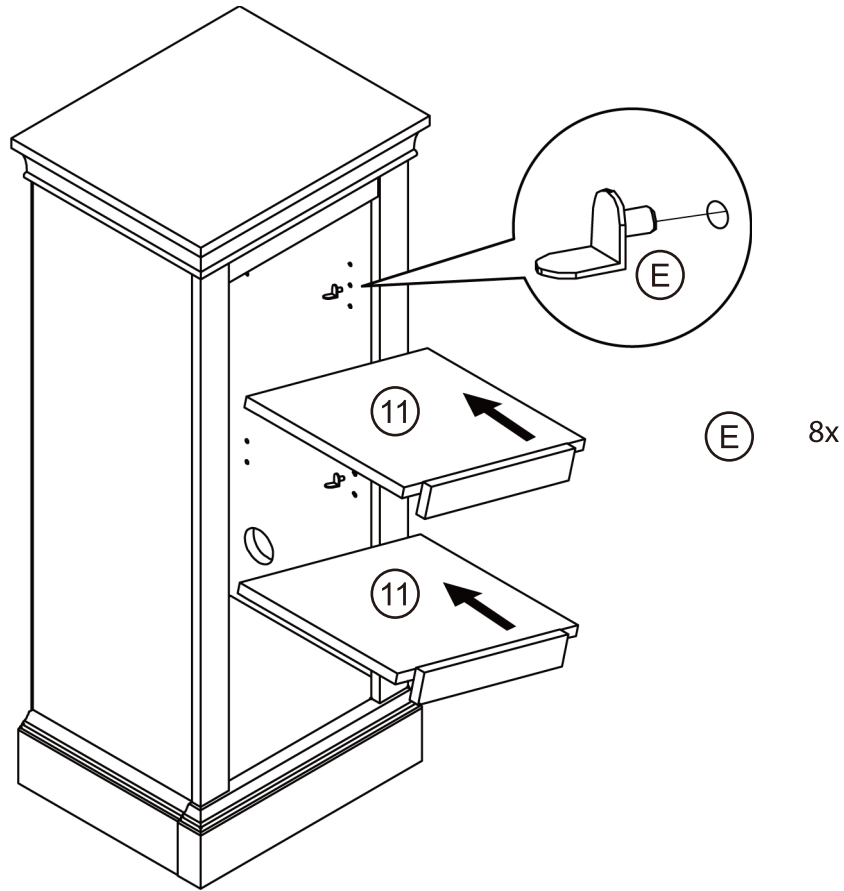
# 10



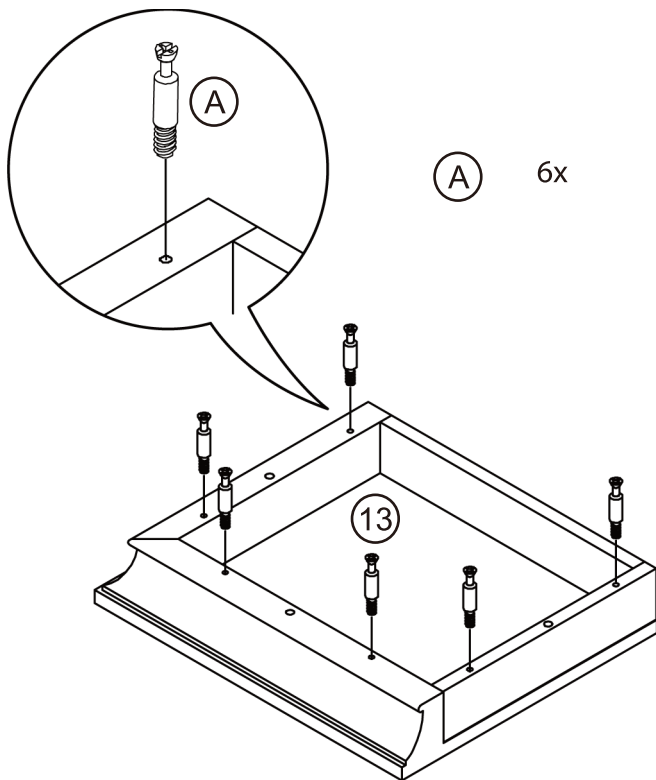
# 11



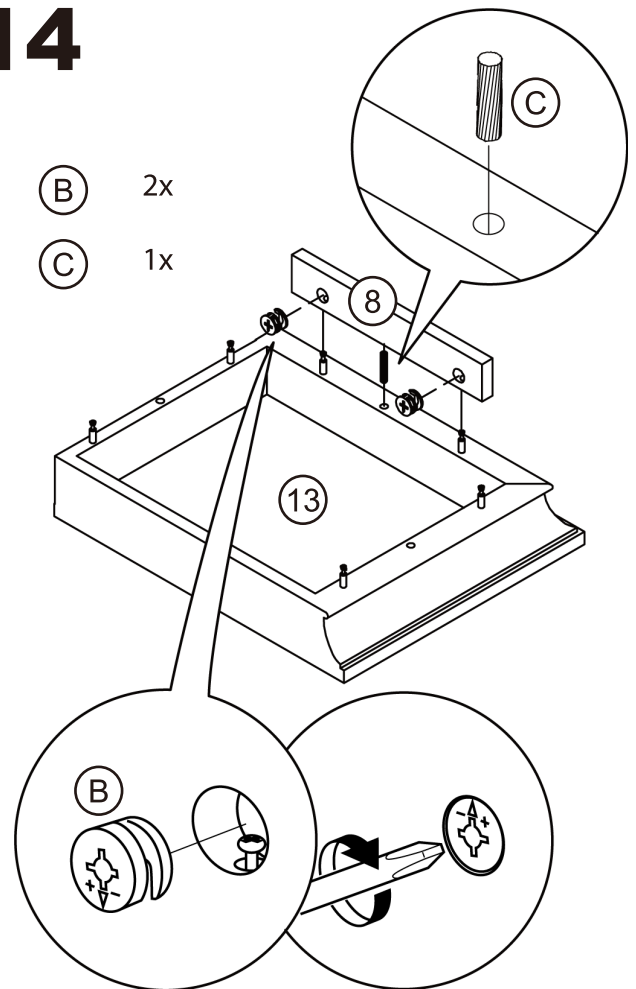
# 12



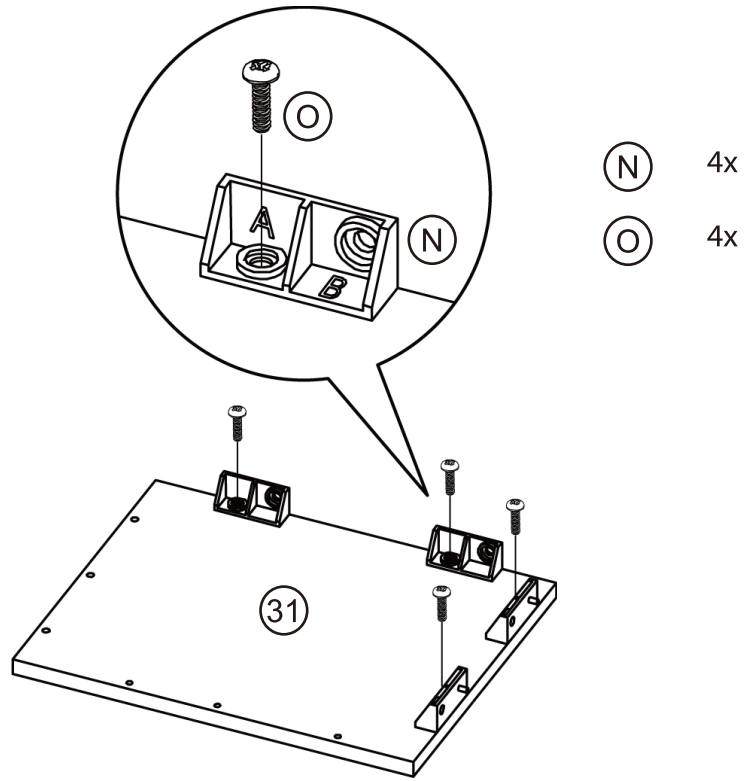
# 13



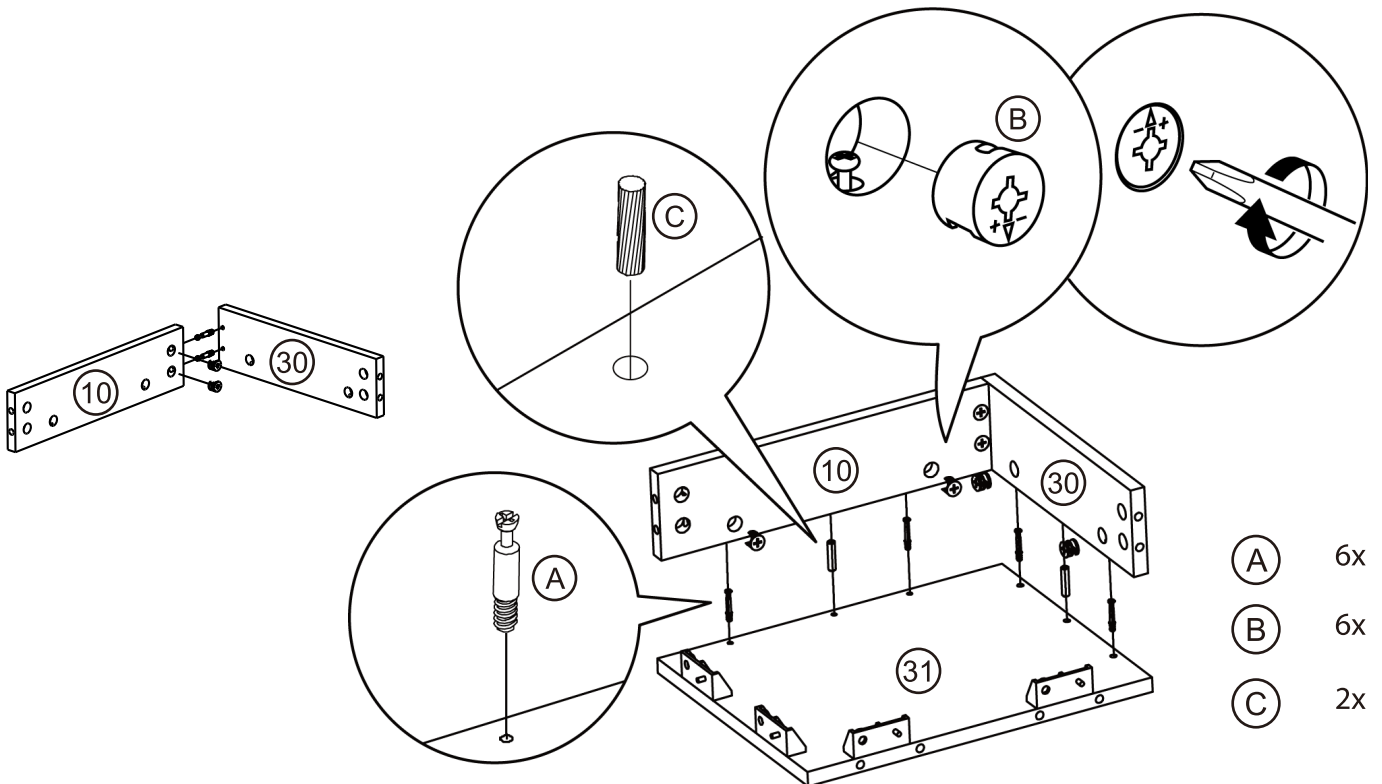
# 14



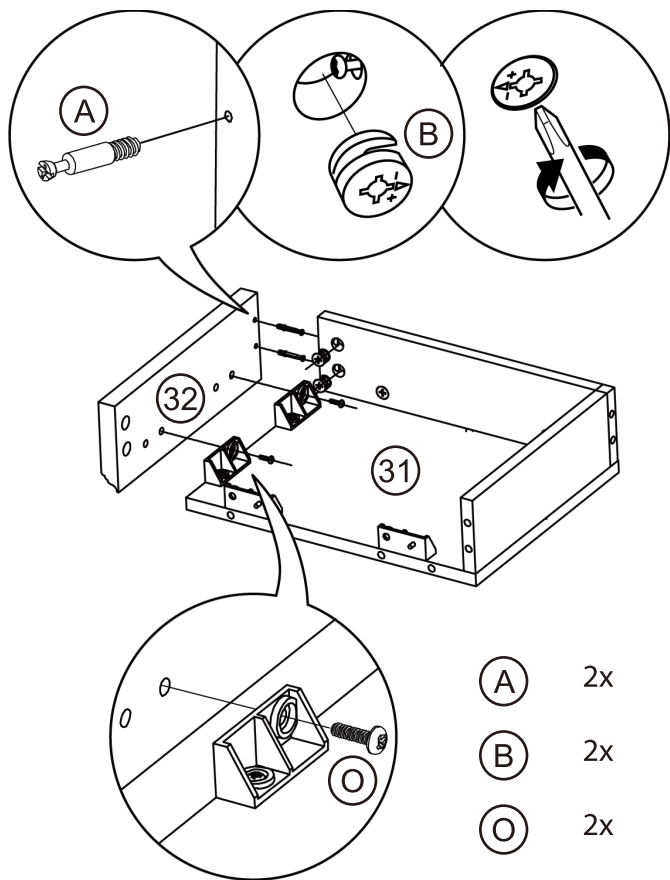
# 15



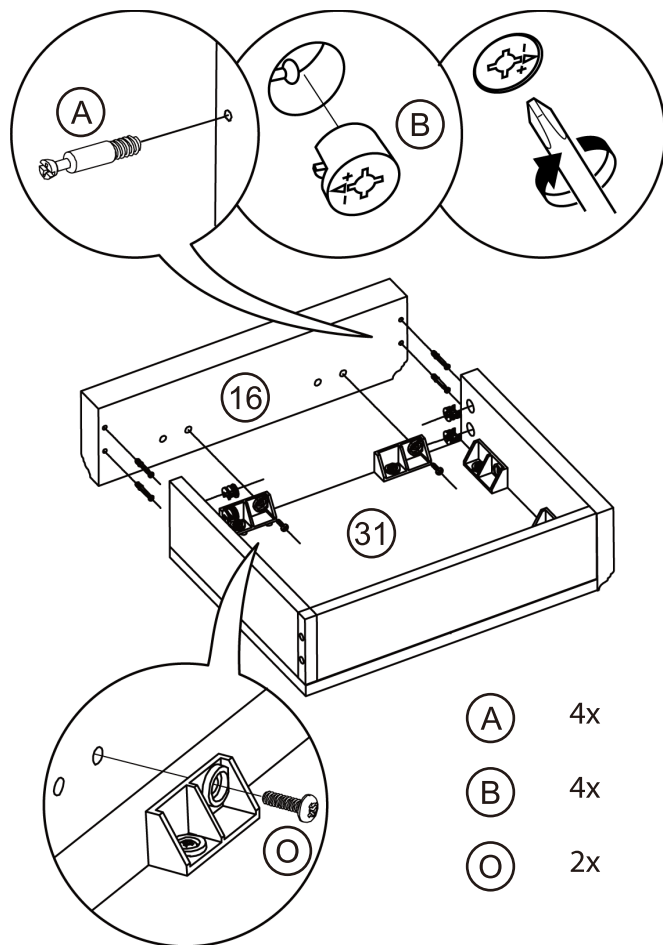
# 16



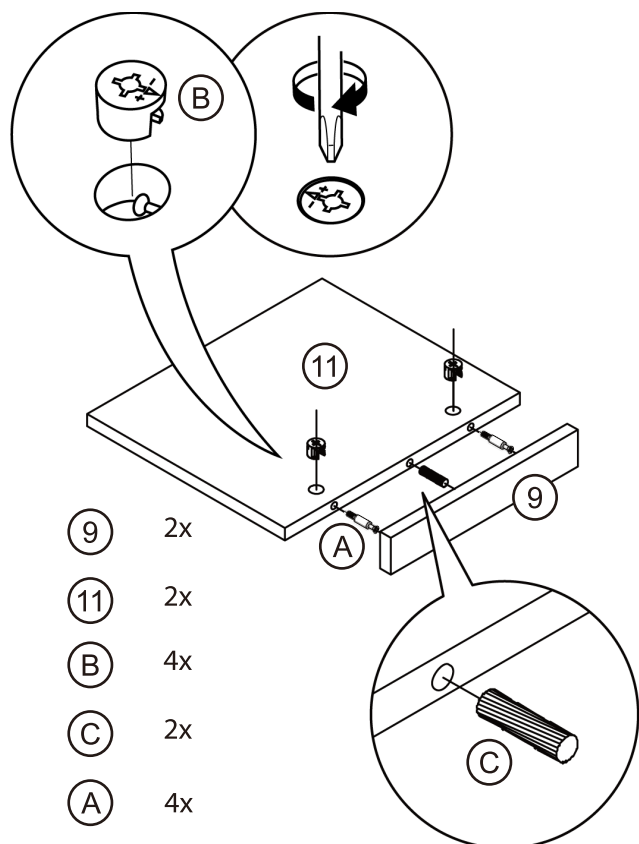
# 17



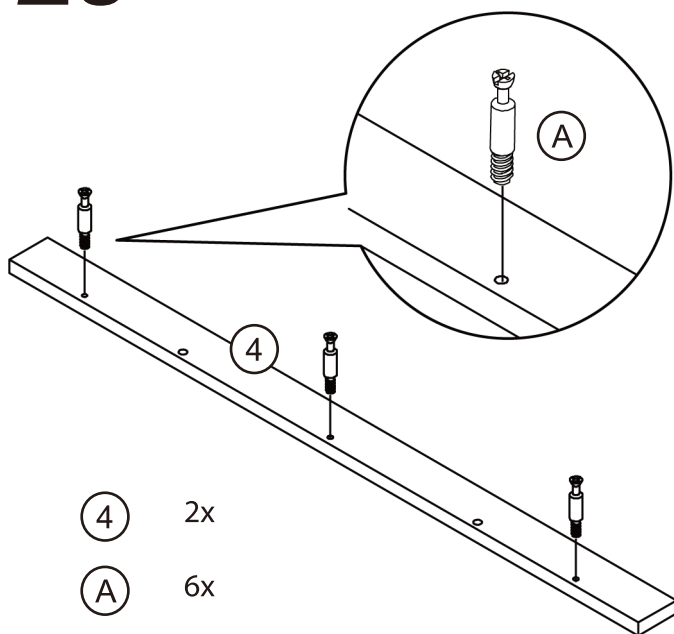
# 18



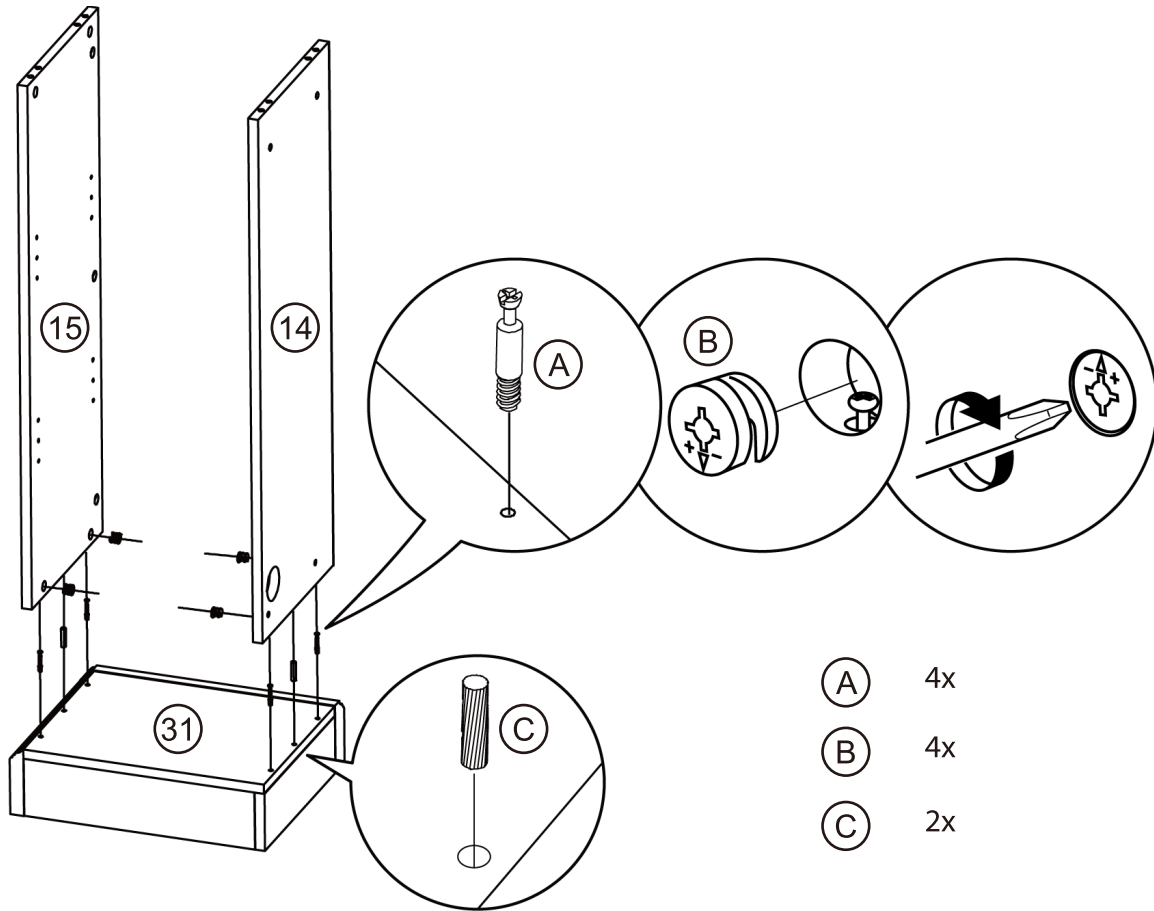
# 19



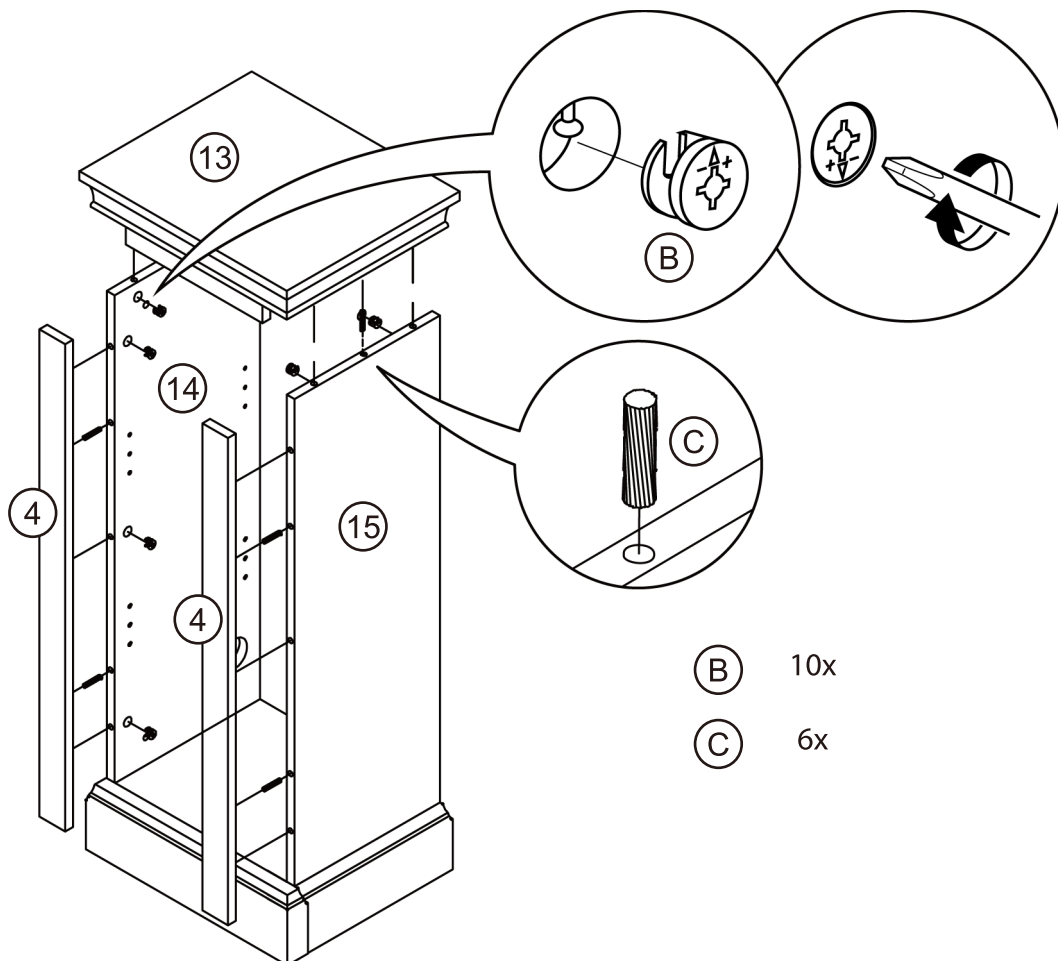
# 20



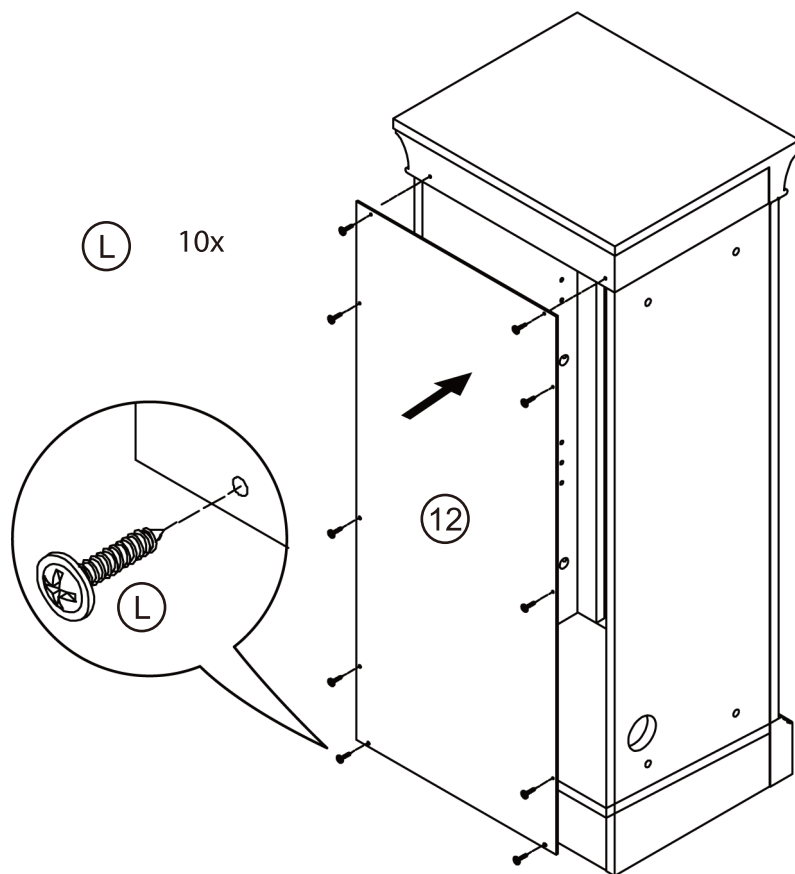
# 21



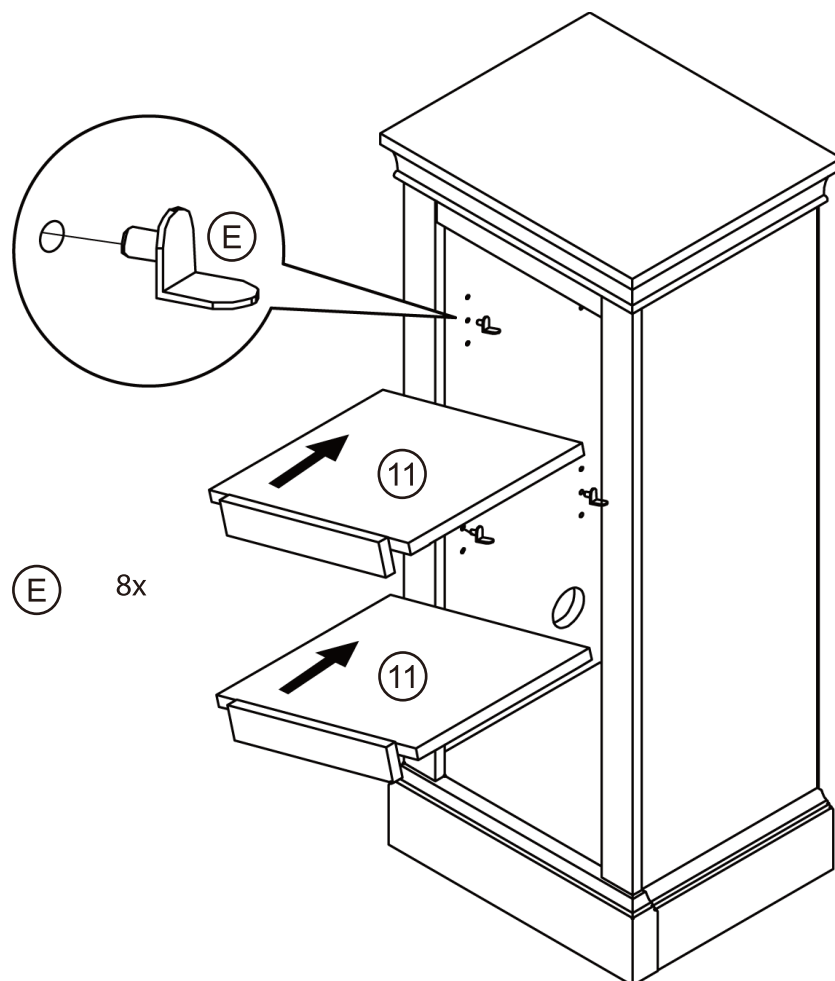
# 22



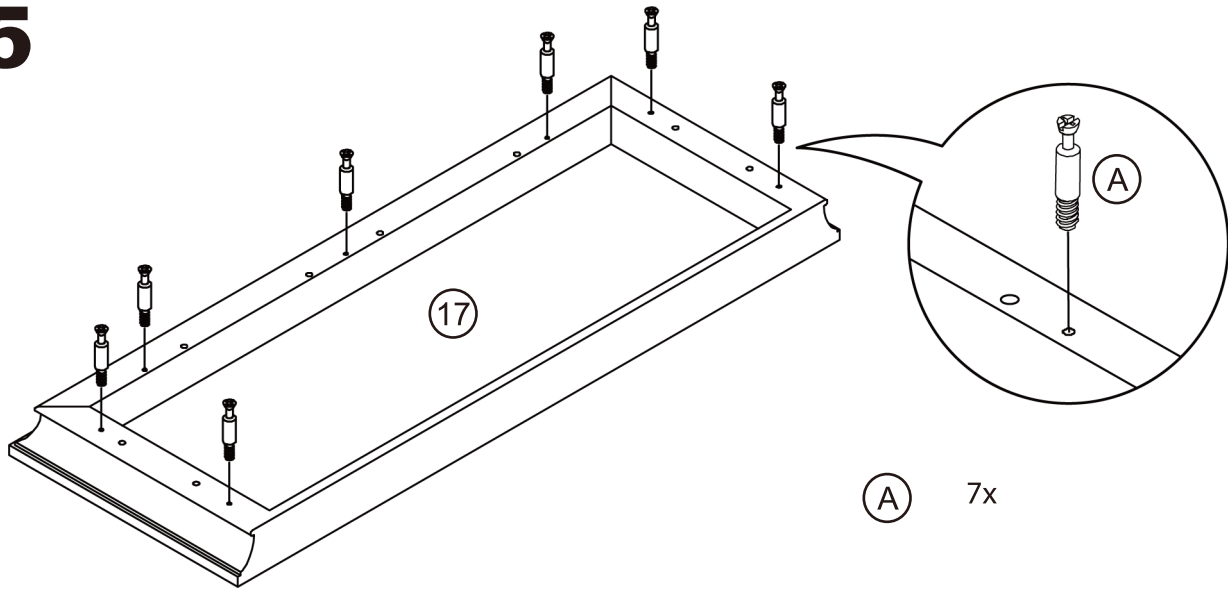
# 23



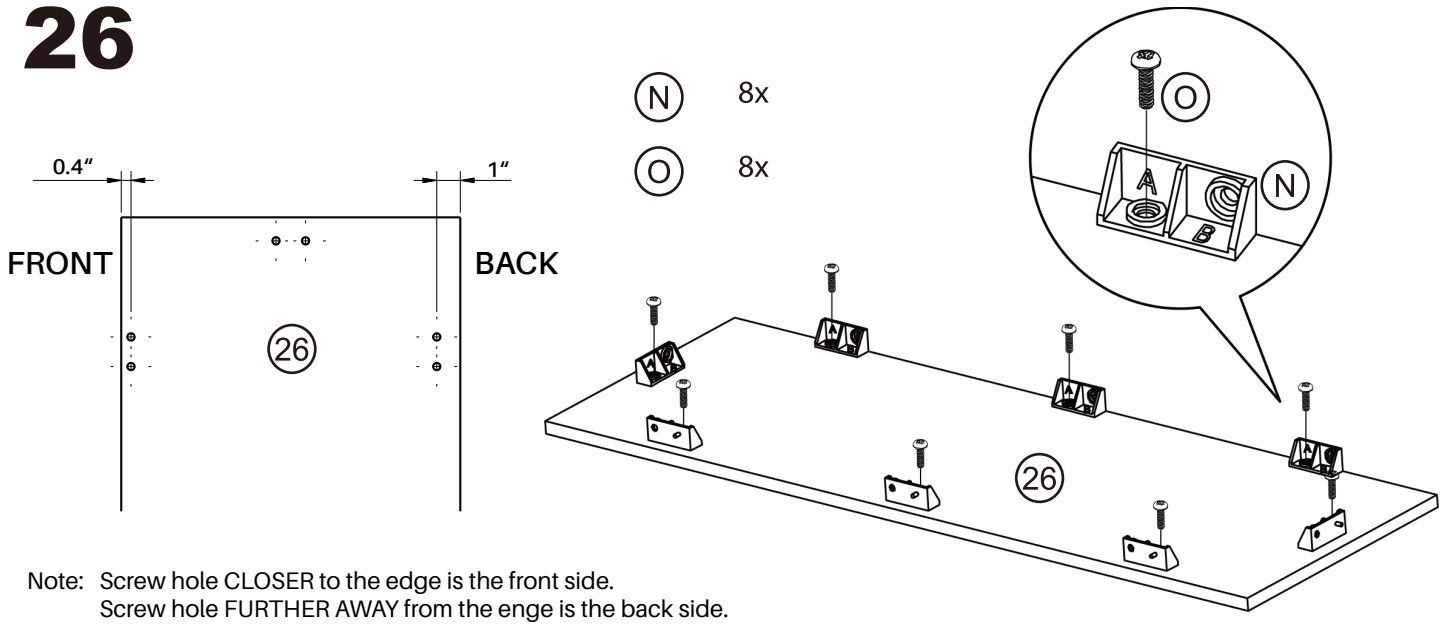
# 24



# 25

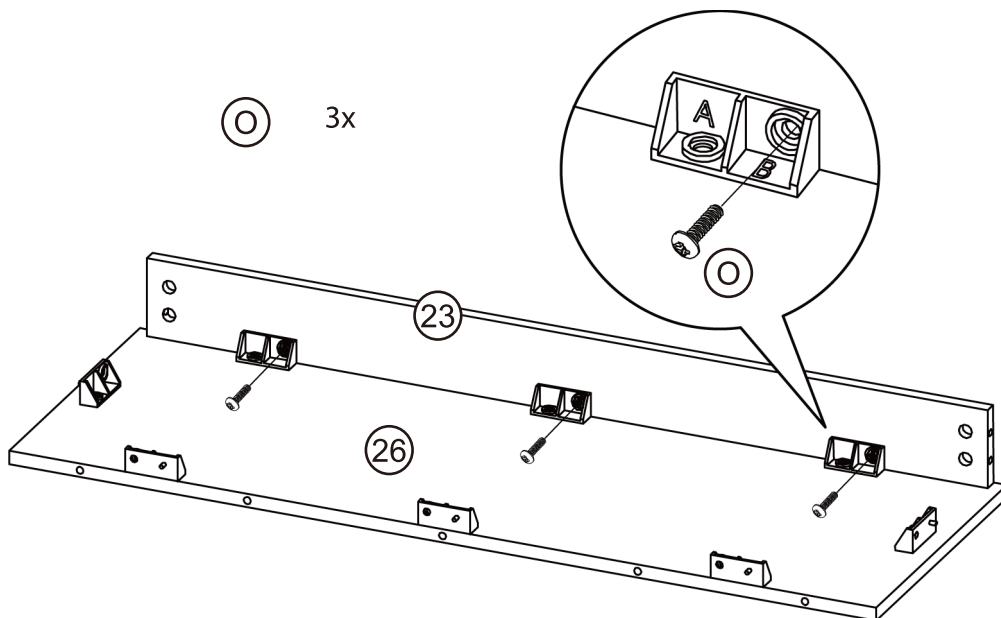


# 26

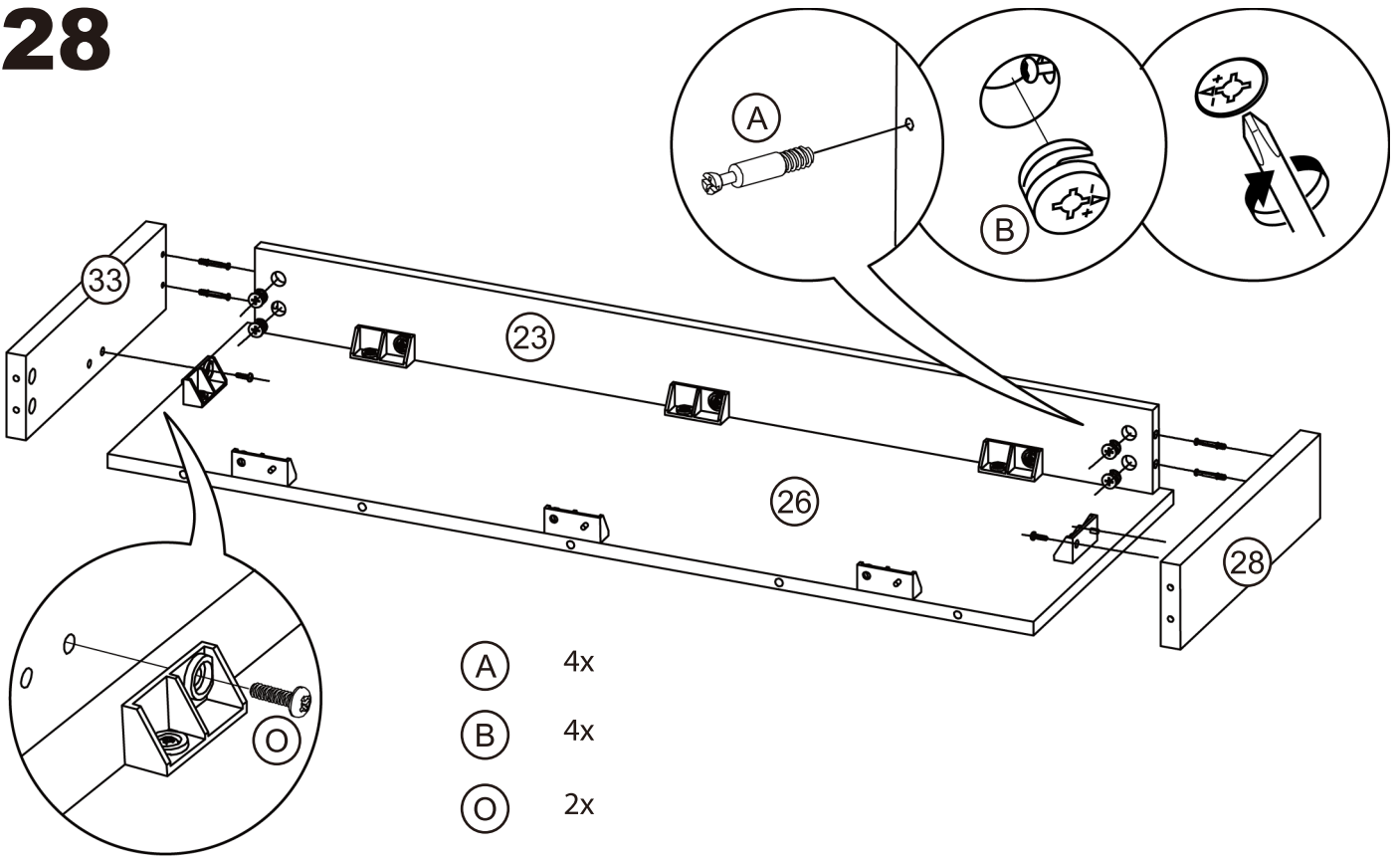


Note: Screw hole CLOSER to the edge is the front side.  
Screw hole FURTHER AWAY from the edge is the back side.

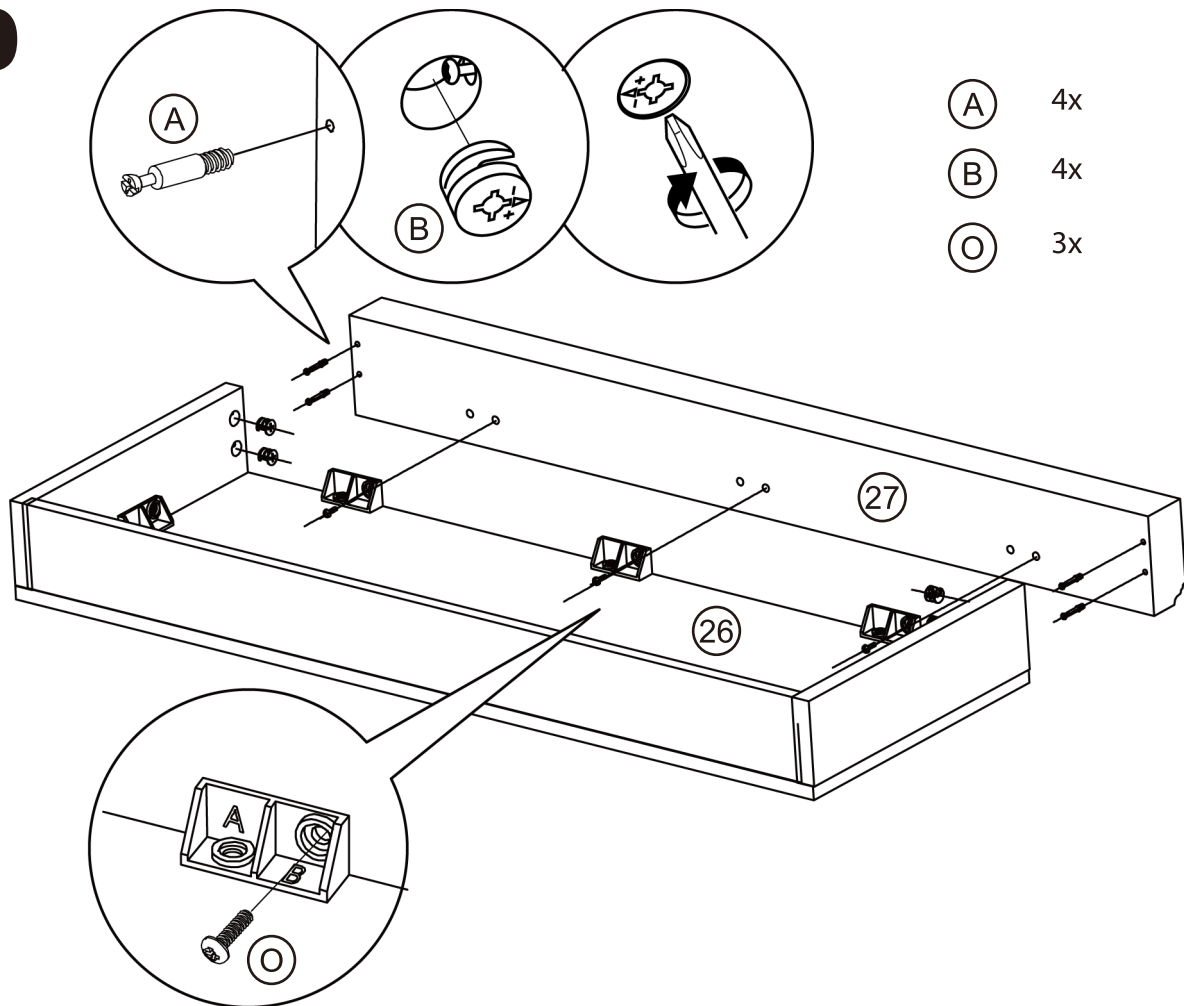
# 27



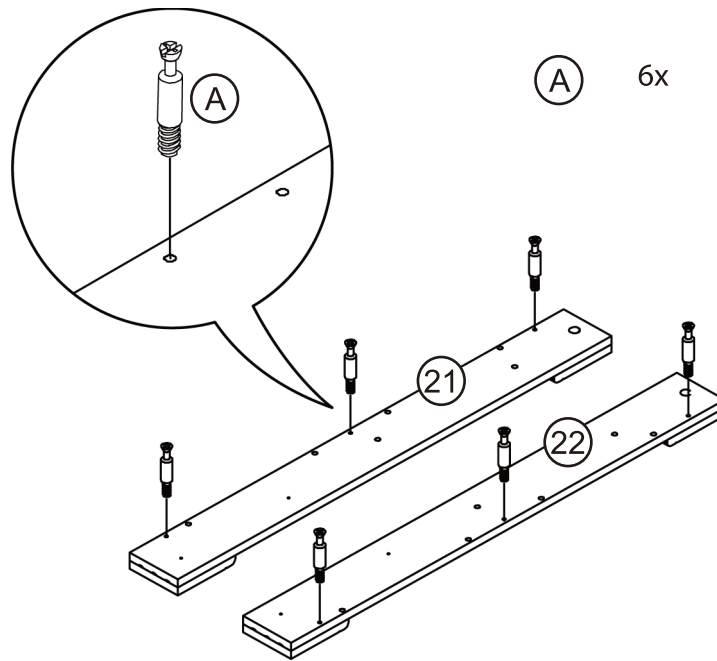
# 28



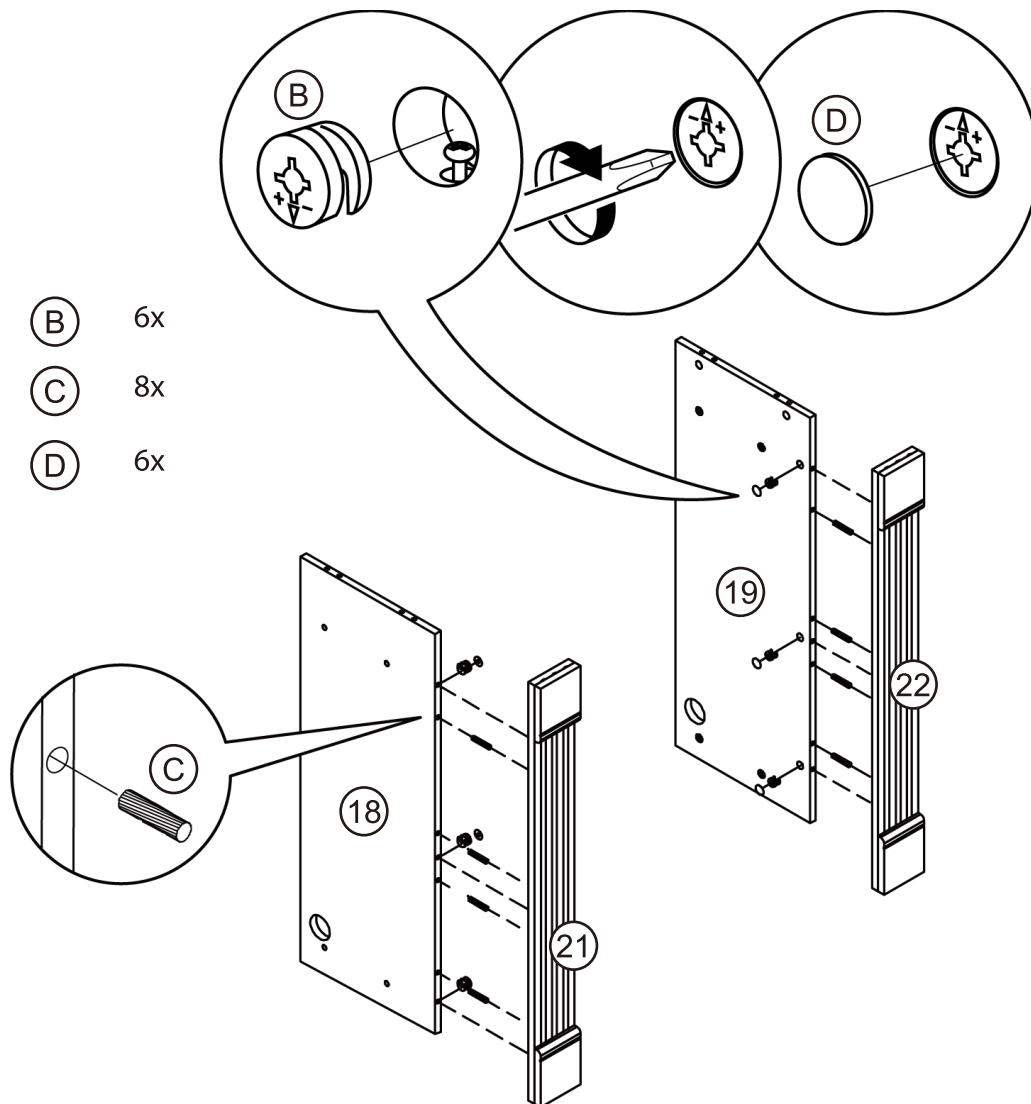
# 29



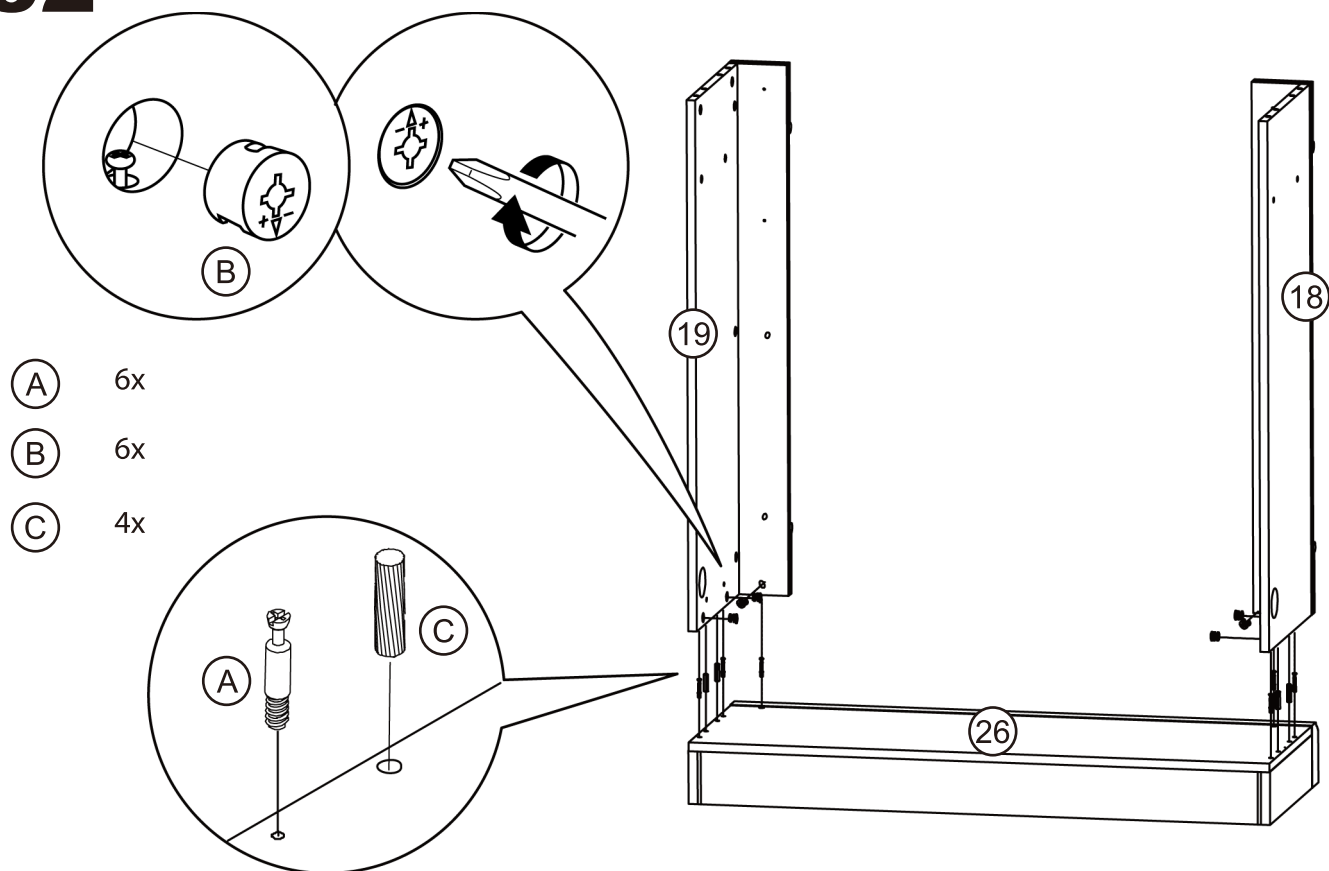
# 30



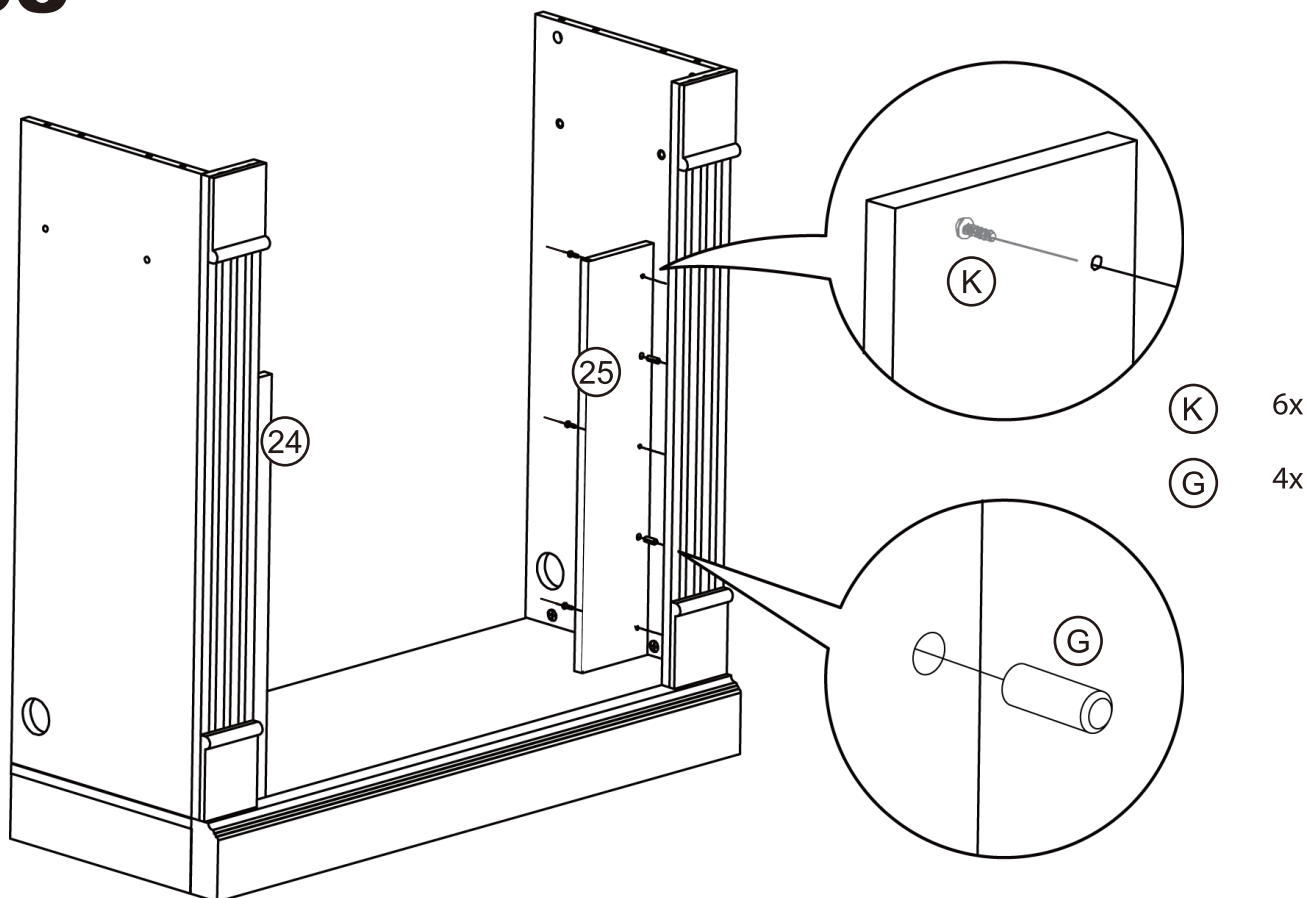
# 31



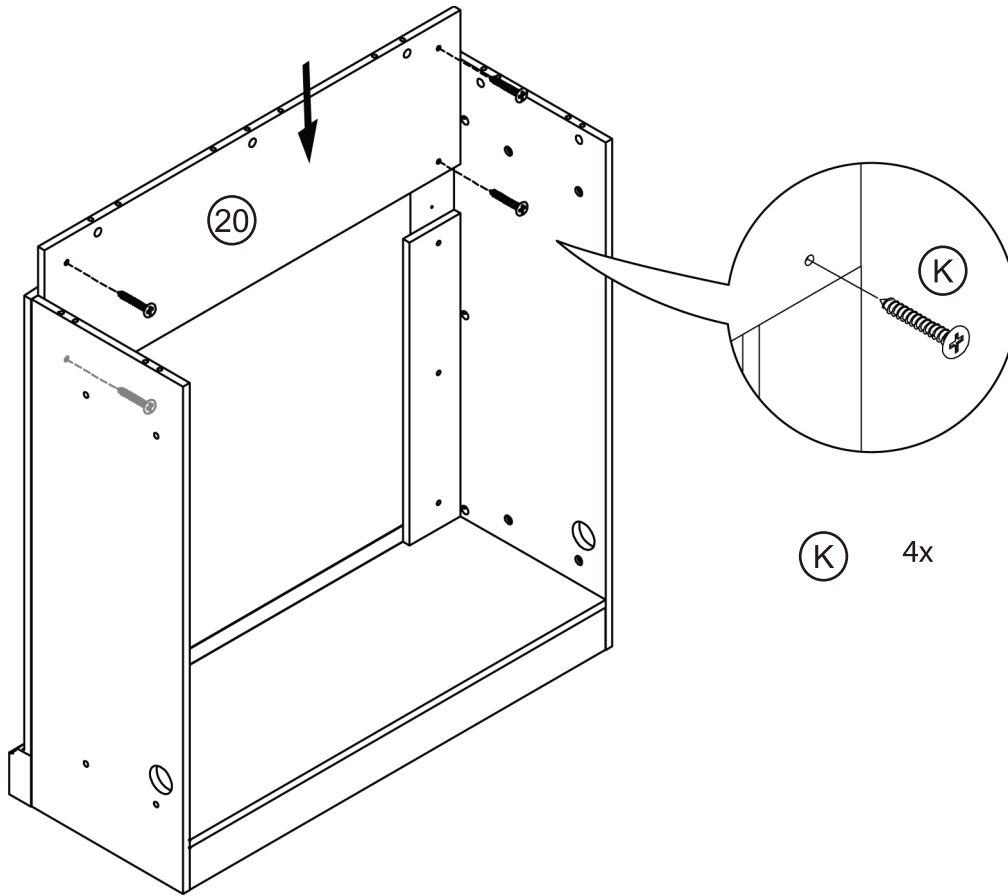
# 32



# 33

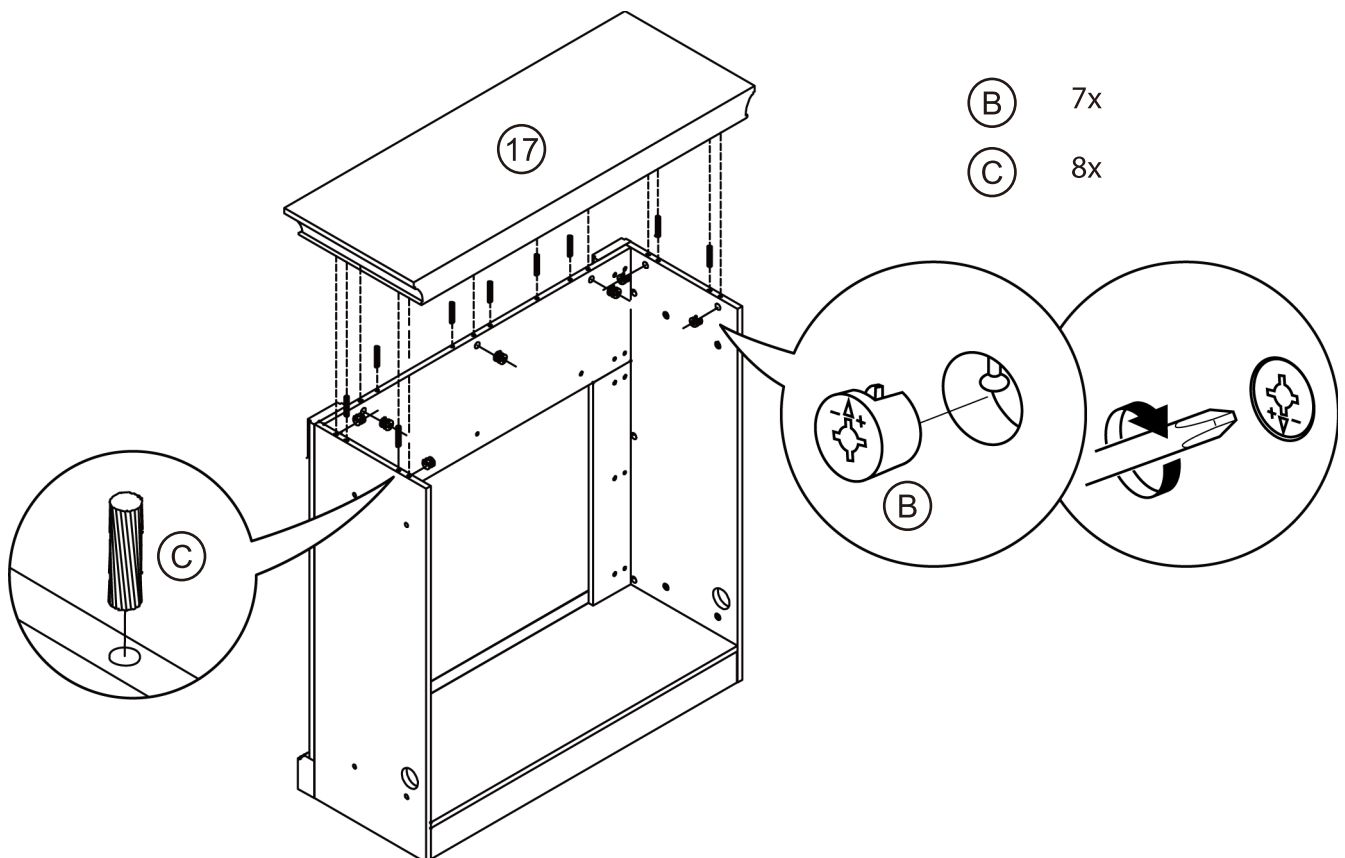


# 34

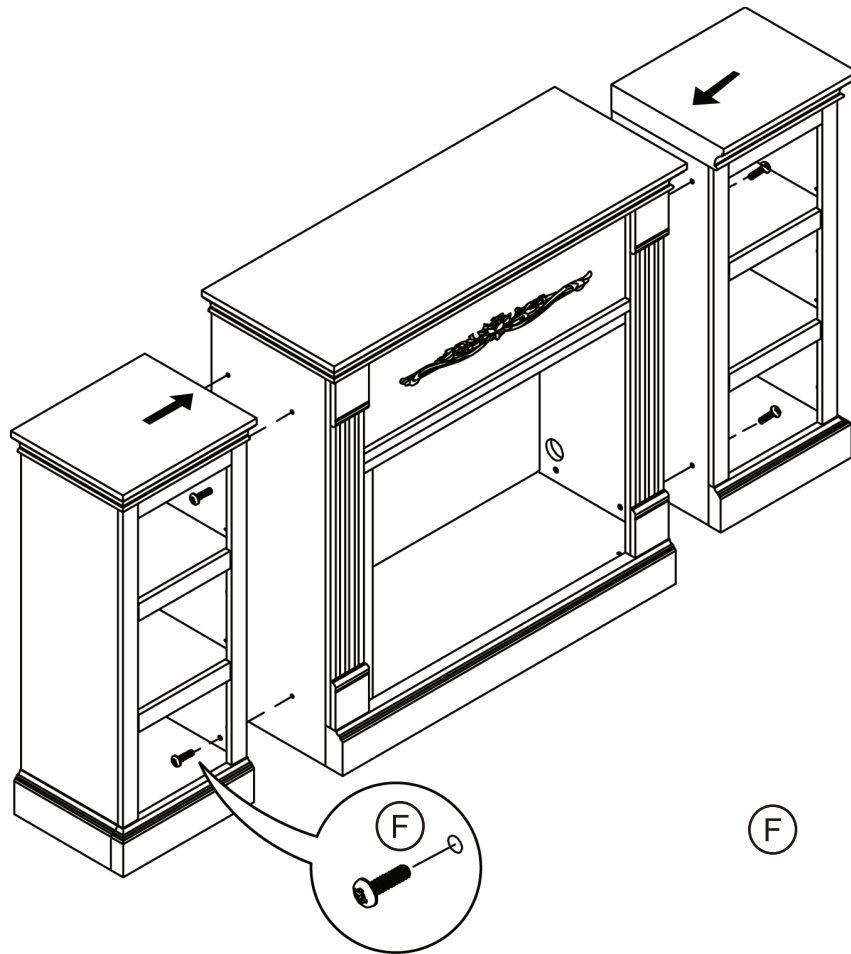


---

# 35



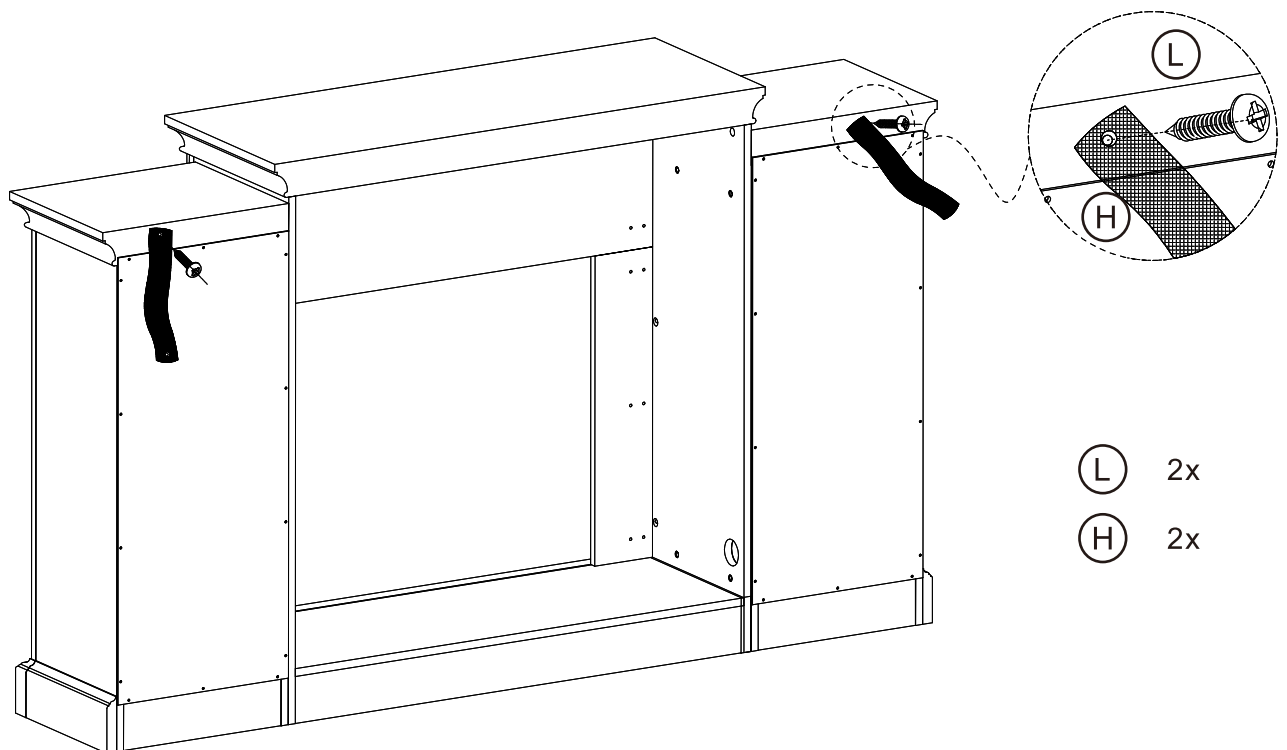
# 36



(F) 8x

---

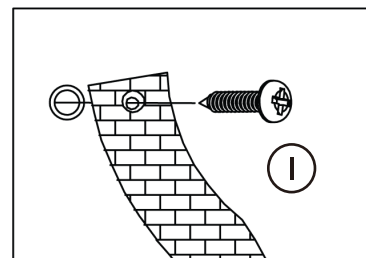
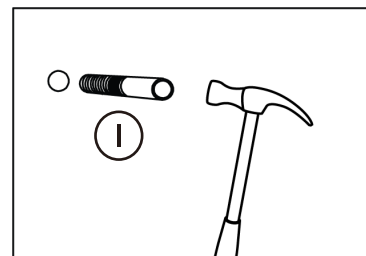
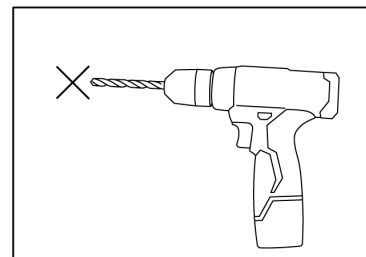
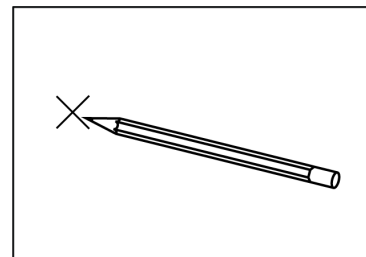
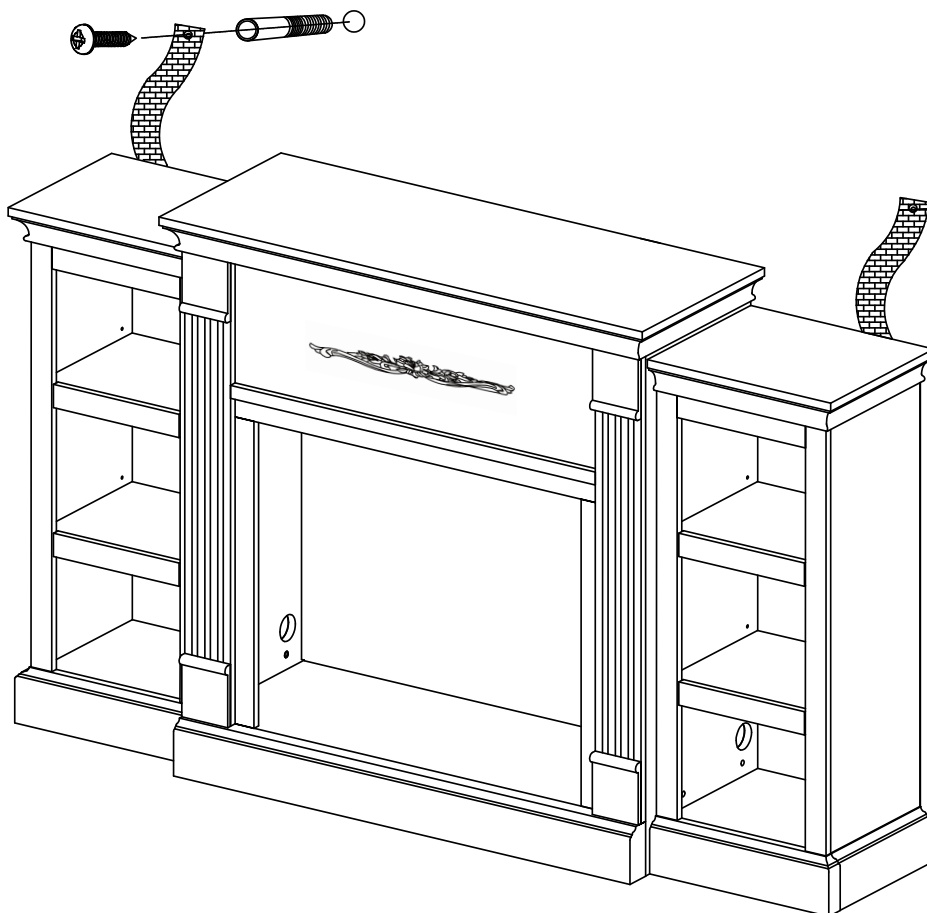
# 37



(L) 2x

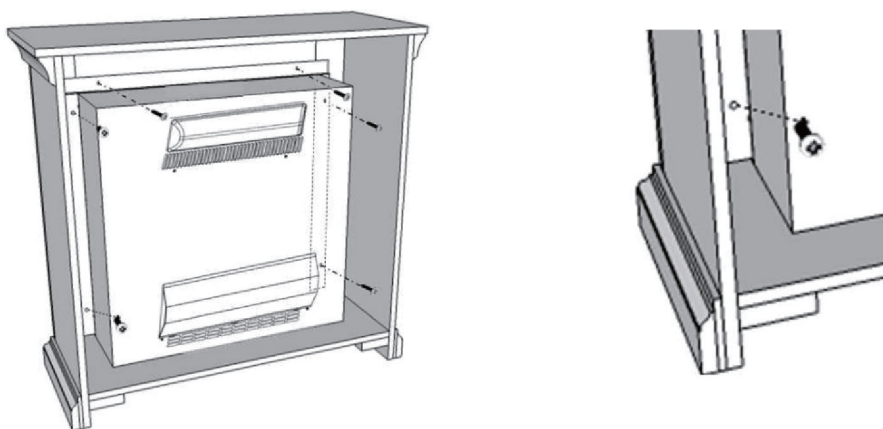
(H) 2x

① 2x



## FINISH!

## OPTIONAL ASSEMBLY



### FIREPLACE INSTALLATION

If you decide to install the fireplace into the mantel, carefully set the unit from the back of the mantel and center it in the opening.

Check the alignment and attach the unit to the mantel by inserting screws through the drilled holes on the trim to the mantel.

**NOTE:** Do not attempt to install the unit from the front of the mantel. It will not fit.