

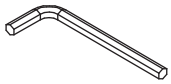


Thank you for purchasing this quality product. Please be sure to check all packing material carefully for small parts which may have come loose inside the carton during shipment. Count all parts and hardware and compare with the parts list to be sure all parts are present. If any parts are missing or damaged, phone, fax or email to our Customer Service Department. For efficient and speedy service please indicate the model number and code letter of part(s) needed.

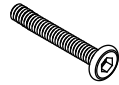
IMPORTANT NOTE: Follow instructions listed below in proper sequence as numbered to assure fast, easy and correct assembly.

hardware

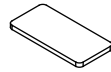
(F) x 1
Allen Key



(G) x 16
M6x55mm Screw



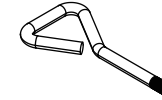
(H) x 8
Foot Pad



(I) x 16
M6x15mm Screw



(J) x 4
Adjustable Plug

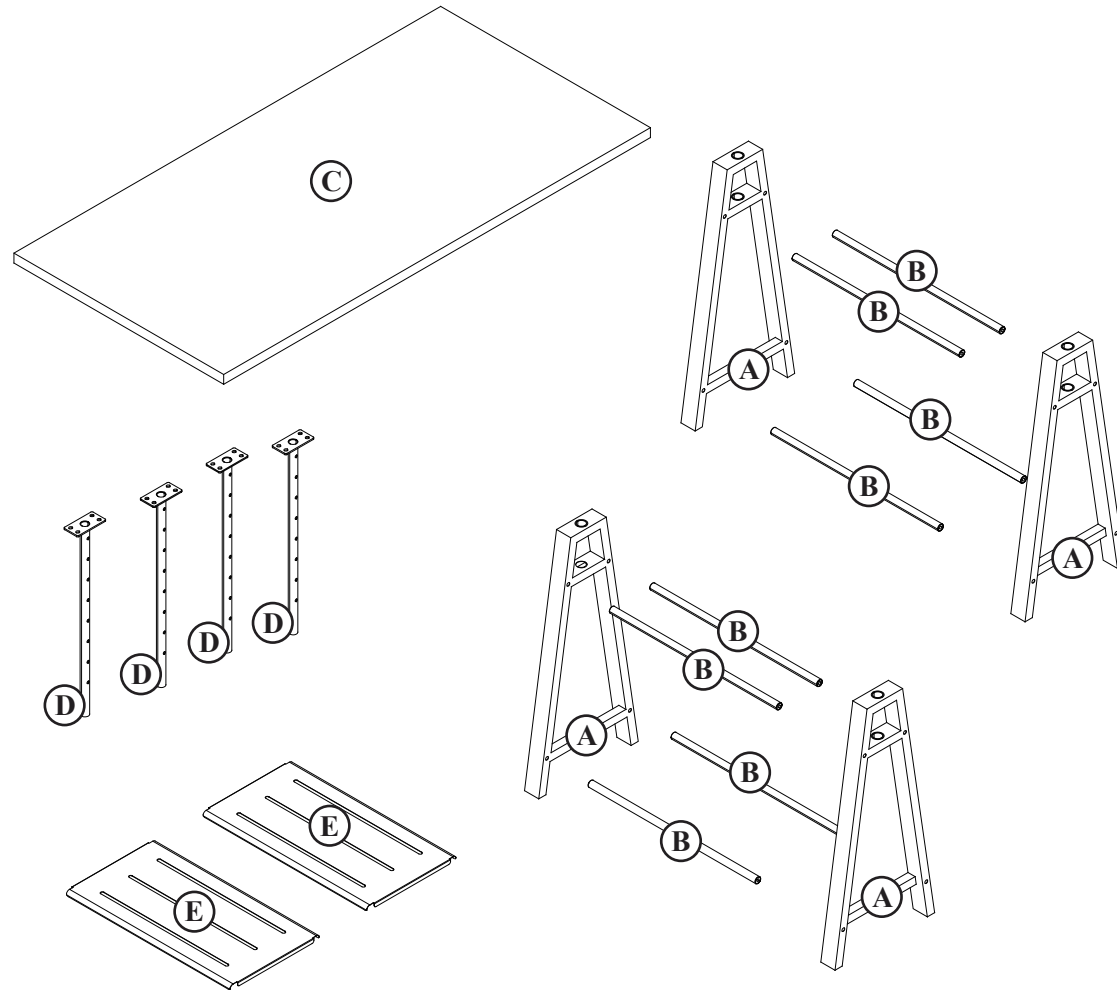


(K) x 4
Plug Nut



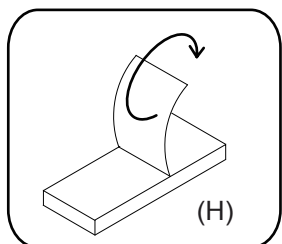
ITEM DESCRIPTION QUANTITY

ITEM	DESCRIPTION	QUANTITY
A	Metal side	4
B	Side rail	8
C	Top	1
D	Adjustable pole	4
E	Shelf	2
F	Allen Key	1
G	M6x55mm Screw	16
H	Foot Pad	8
I	M6x15mm Screw	16
J	Adjustable Plug	4
K	Plug Nut	4



step 1.

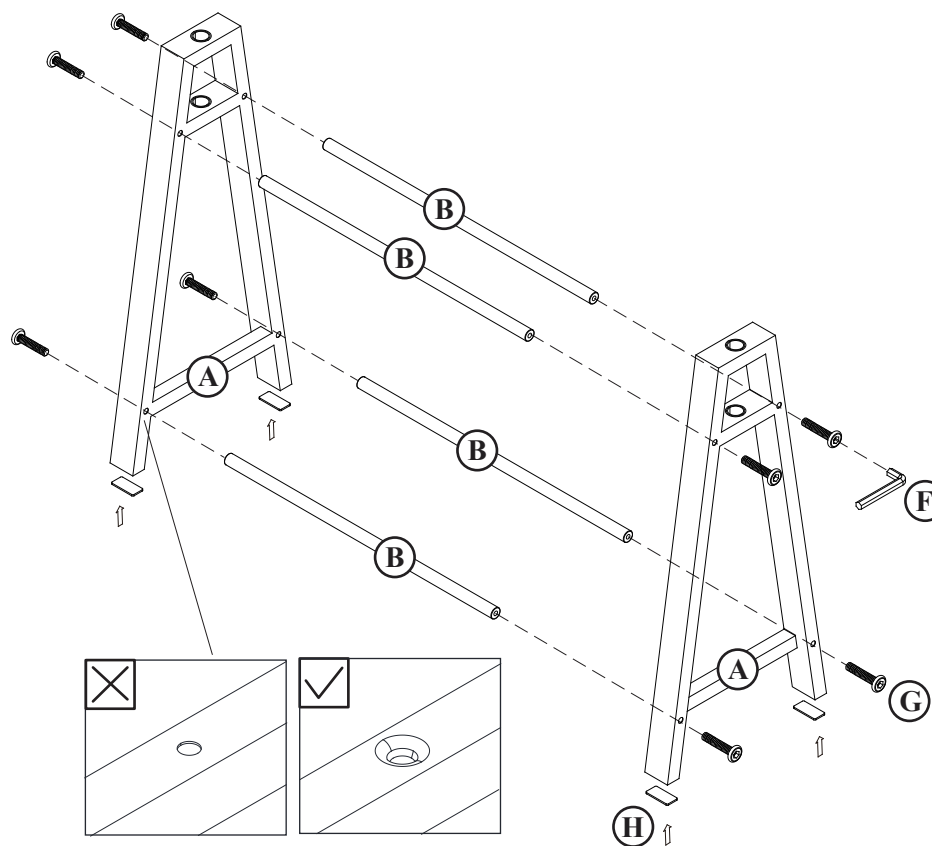
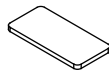
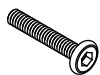
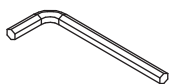
X2



(F)
Allen Key

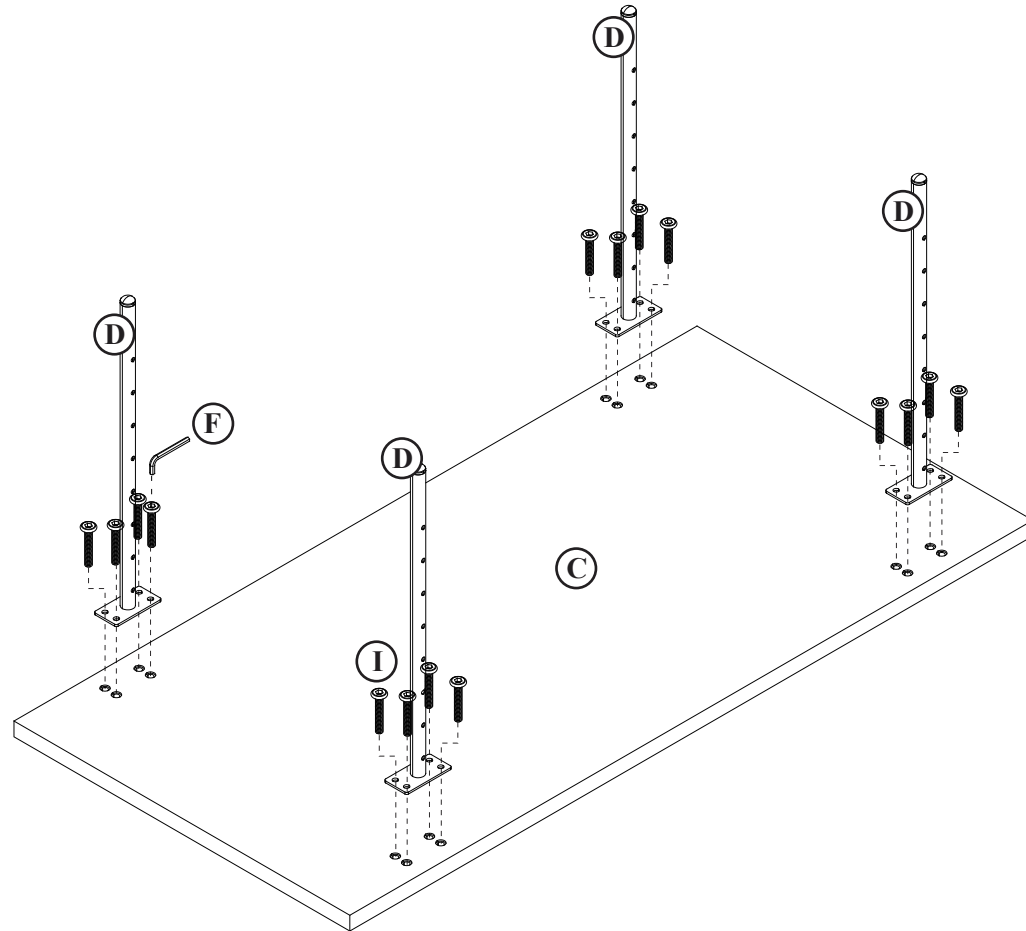
(G) x 16
M6x55mm Screw

(H) x 8
Foot Pad



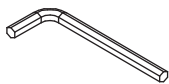
1. Tear off the foot pad and stick on the bottom of the metal legs (A) as shown.
2. Attach the side rail (B) to the metal side (A) as shown. Make sure the screw hole on the side should be placed in the inner side for assembly.

step 2.



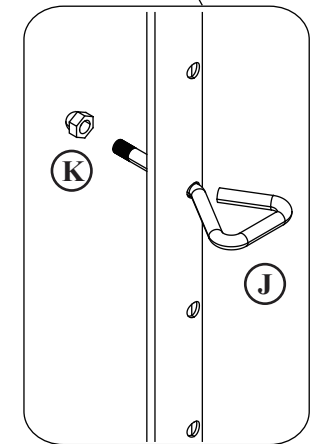
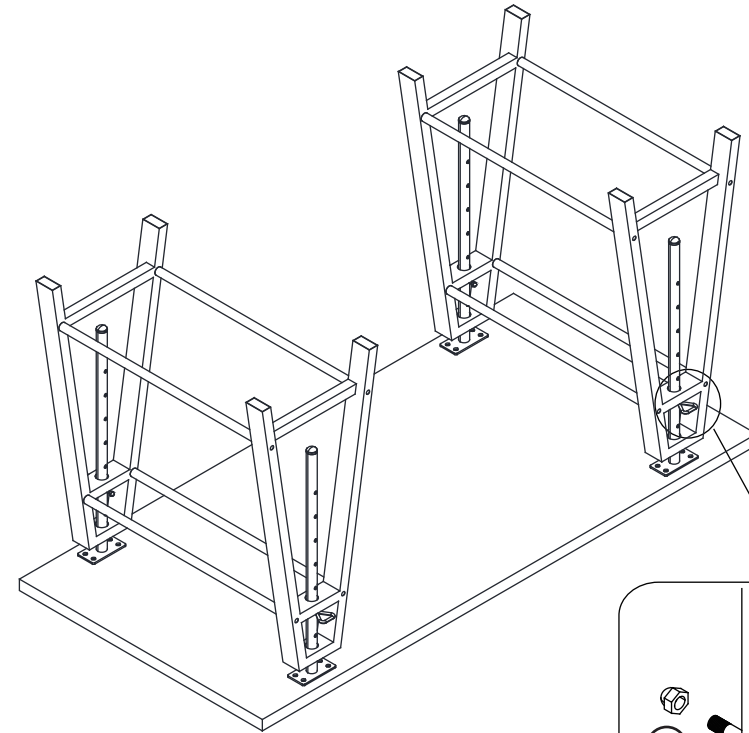
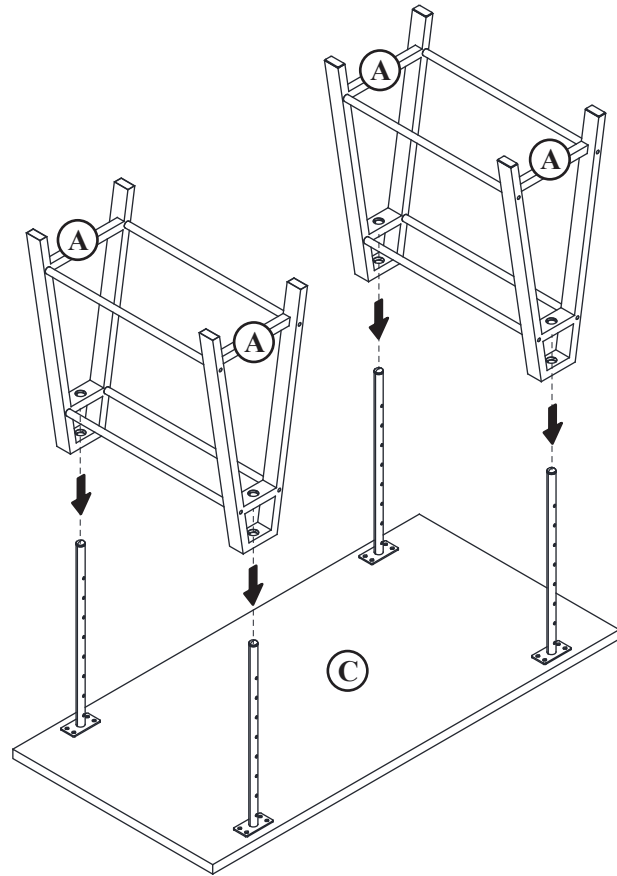
(F)
Allen Key

(I) x 16
M6x15mm Screw



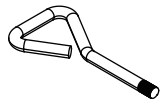
1. Attached the adjustable pole (D) to the top (C).
2. Using the Allen key to tighten the screws.

step 3.



(J) x 4
Adjustable Plug

(K) x 4
Plug Nut

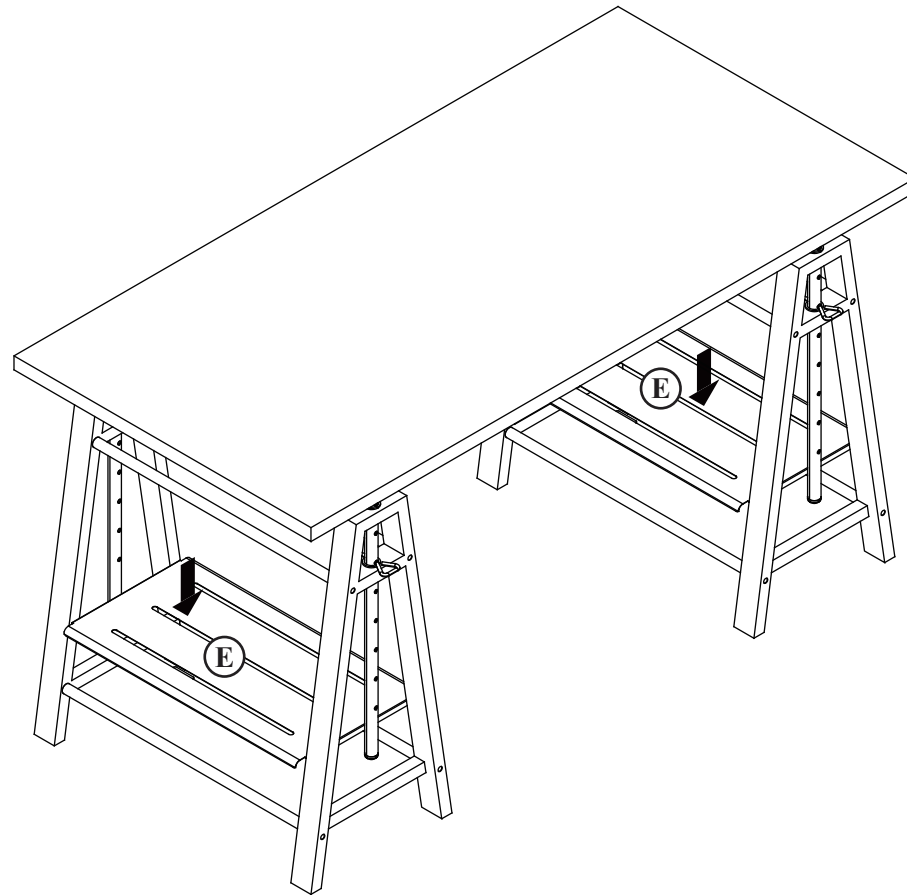


1. Attached the part (C) to Part (A).

If it is hard to put the metal pole to the hole in the part (A), you could loose the screw (G), then it is easy to put the two parts together. Then tighten the screw (G).

2. If you want to adjust the height, you could put the adjustable pole up & down, and use the adjustable plug (J) and plug nut to tighten.

step 4.



1. Put the shelf (E) to the metal rail (B) as shown.