

# ASSEMBLY INSTRUCTIONS



## CAUTION

◆ Inspect the wire insulation for any cuts, abrasions, or exposed copper that may have resulted during shipping. If there is a defect in the wire, do not attempt installation.

◆ Before starting installation of this fixture or removal of a previous fixture, disconnect the power by turning off the circuit breaker or by removing the fuse at the fuse box.

## TOOLS REQUIRED



Ladder



Safety glasses



Electrical tape



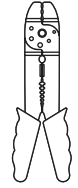
Phillips screwdriver



Flat blade screwdriver

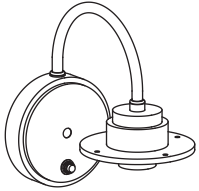


Pliers

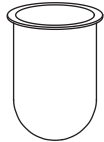


Wire strippers

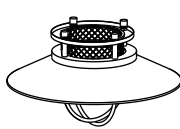
## HARDWARE INCLUDED



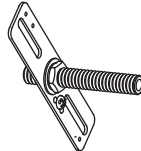
Fixture



Glass Shade



Shade



Mounting Unit



Rubber Ring



Ball Nut



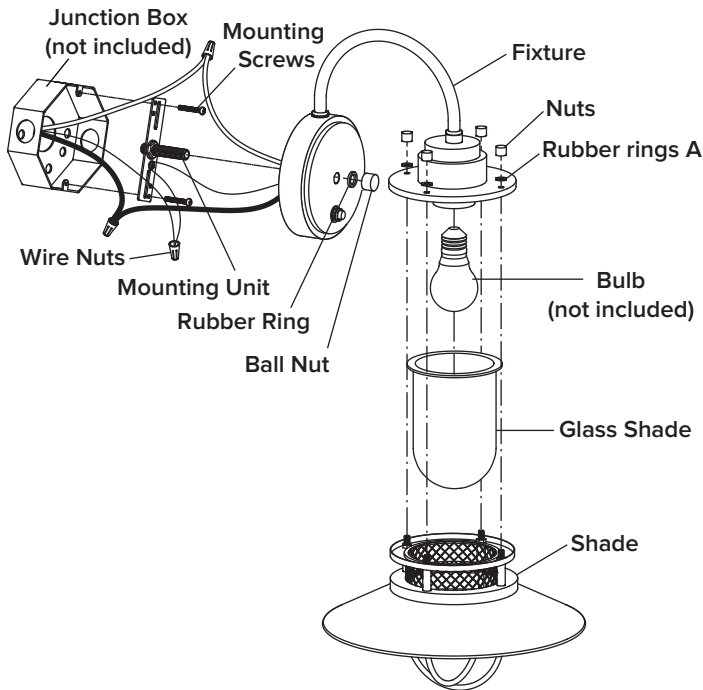
Mounting Screws



Wire Nuts

\* PARTS SHOWN MAY DIFFER SLIGHTLY PER LIGHT FIXTURE

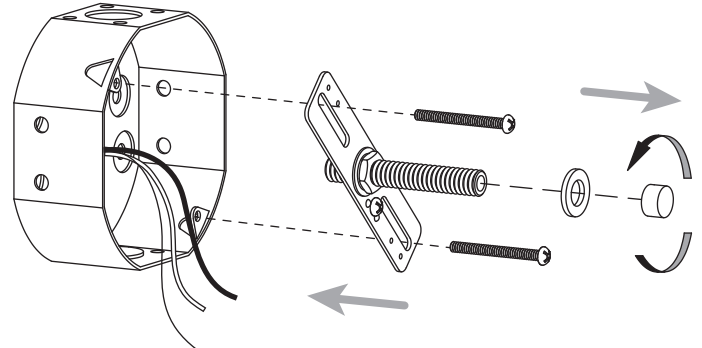
## EXPLODED PARTS



## INSTALLATION

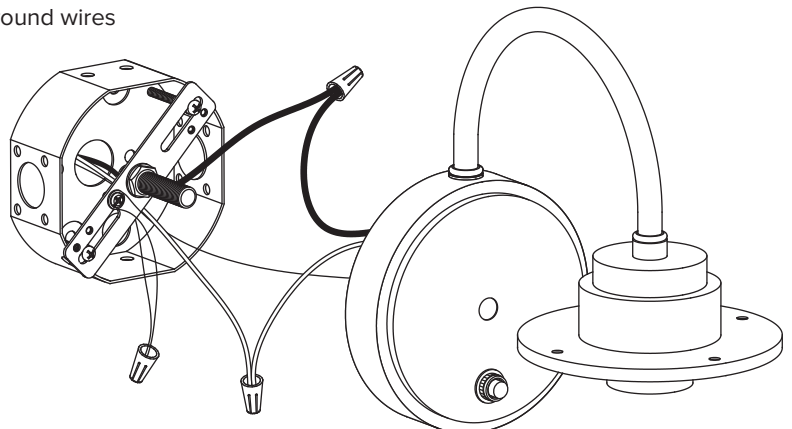
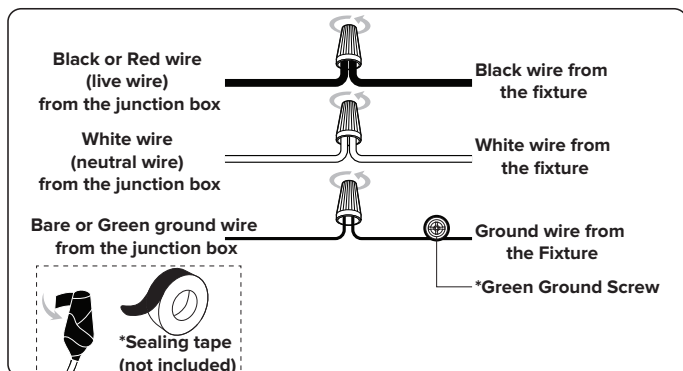
### STEP 1

Unscrew the **ball nut** and **rubber ring** from the **mounting unit**. Use the **mounting screws** to attach the **mounting unit** to the junction box (not included).



### STEP 2

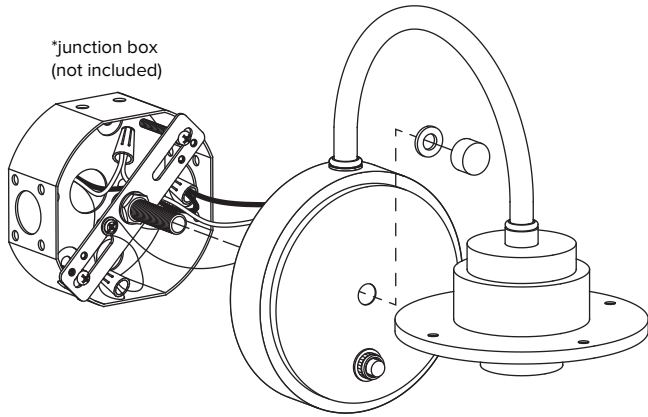
Make the electrical connection from the junction box (not included) to the **fixture**. Connect the ground wire to the **mounting unit** using the preinstalled green ground screw. Next, connect the live wire, neutral wire and ground wires with the supplied **wire nuts**. Secure with electrical tape.



### STEP 3

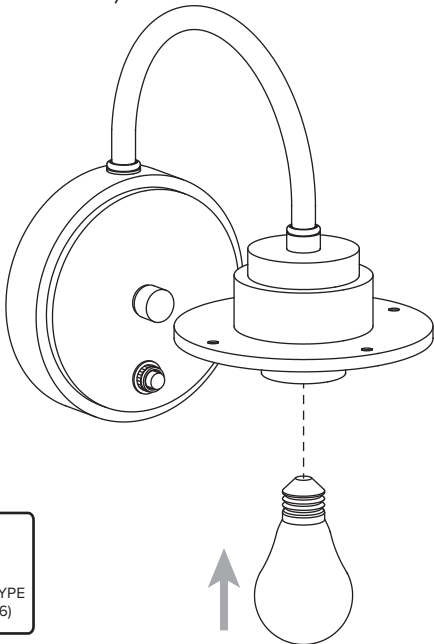
Attach the **fixture** to the **mounting unit** through screw holes as shown, and secure it with **rubber ring** and **ball nut**.

NOTICE: Please use caulk in the back plate and wall mounting surface to prevent water from entering.



### STEP 4

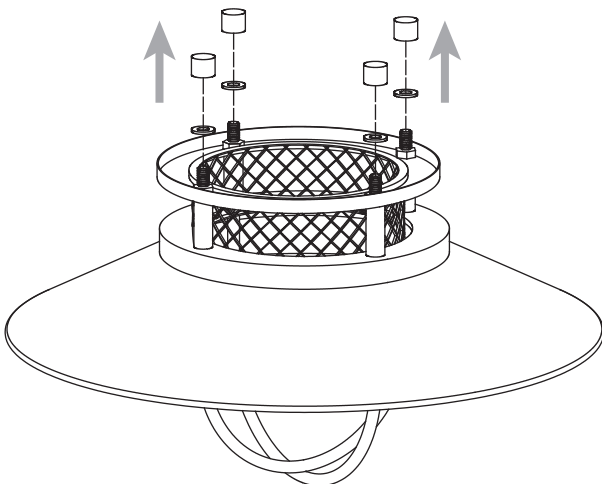
Install bulb (not included).



### STEP 5

Remove the **rubber rings A** and **nuts** from the **shade**.

\* **Rubber rings must be removed or may cause water leaking!**



### STEP 6

Attach the **shade** and **Glass Shade** to the **fixture** through screw holes as shown, and secure it with **rubber rings A** and **nuts**.

