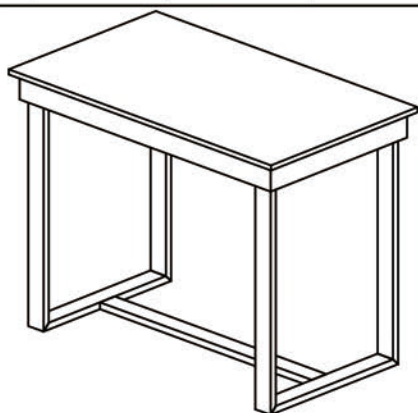


# ASSEMBLY INSTRUCTION

SKU#WF 289702

Thank you for purchasing this quality product. Be sure to check all packing material carefully for small parts, which may have come loose inside carton during shipment. Identify and count all parts and compare with the parts list below.

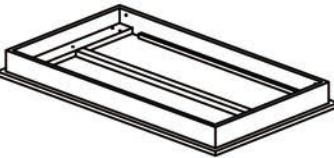


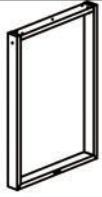

## ASSEMBLY INSTRUCTION :







1. Remove hardware from box and sort by size.
2. Please check to see that all hardware and parts are present prior start of assembly.
3. Please follow attached instruction in the same sequence as numbered to assure fast and easy assembly.

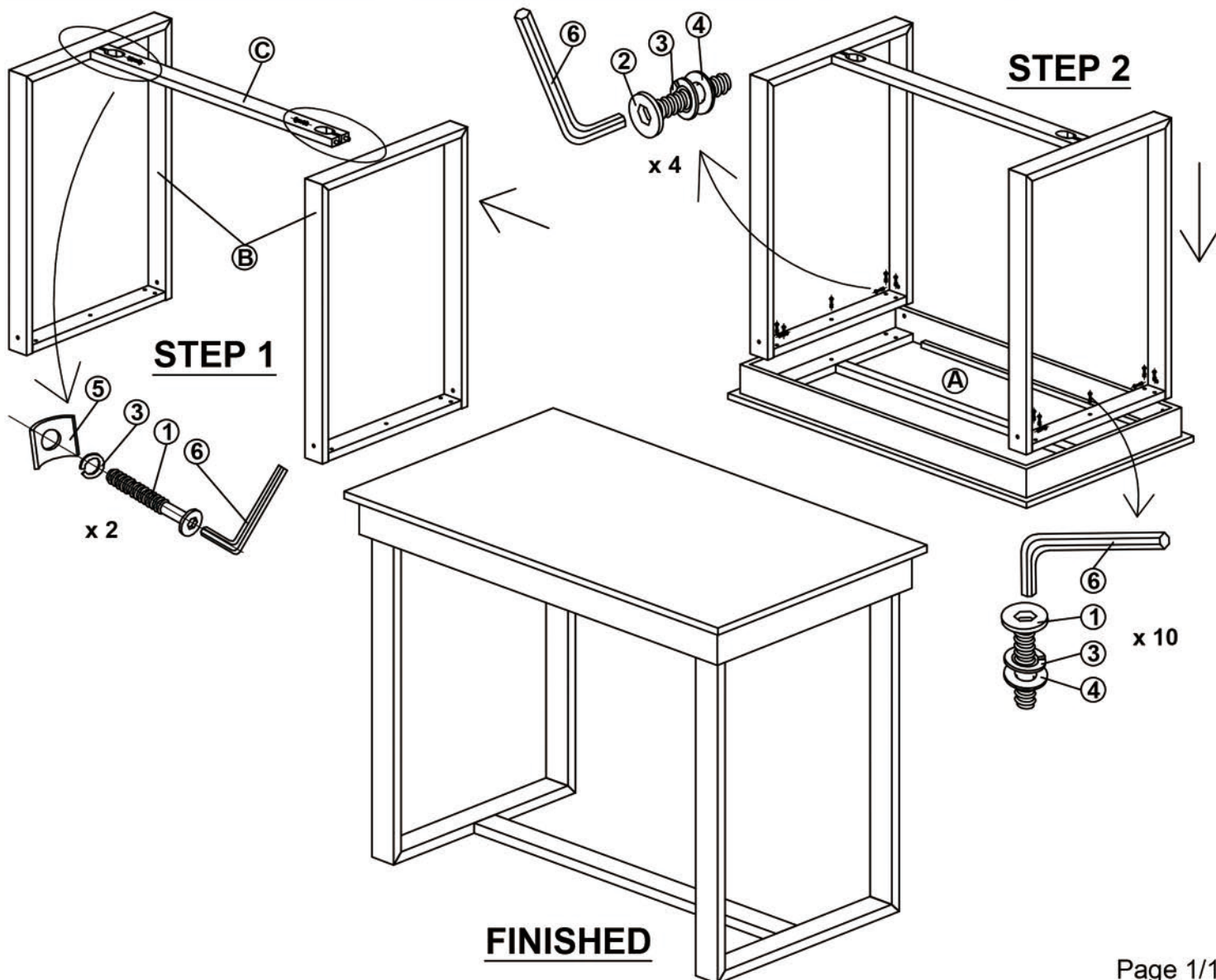
### ⚠ WARNING !

1. Don't attempt to repair or modify parts that are broken or defective. Please contact the store immediately.
2. This product is for home use only and not intended for commercial establishments.
3. Two persons are required for assembly.
4. Approximate assembly time : 1/2 hours.
5. Component parts and fittings contained in the box.  
Please sort out all parts before you begin to assemble the item.  
This is to make sure you always use the correct part.

No.	Component	Q'ty
A	 Table Top	1

No.	Component	Q'ty
B	 Leg frames	2
C	 Under Stretcher	1

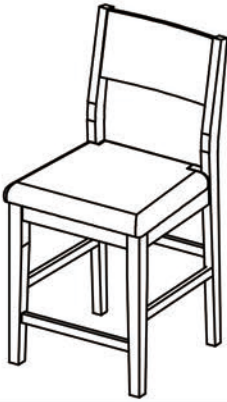
No.	Hardware list	Q'ty
①	 Bolts Ø8x60	2
②	 Bolts Ø8x45	14
③	 Lock Washer M8x1	16
④	 Washer M8xØ19x2	14
⑤	 Curved washer M8	2
⑥	 Allen Key K4	1



# ASSEMBLY INSTRUCTION

SKU#WF289703

Thank you for purchasing this quality product. Be sure to check all packing material carefully for small parts, which may have come loose inside carton For ONE during shipment. Identify and count all parts and compare with the parts list below.







## ASSEMBLY INSTRUCTION :








1. Remove hardware from box and sort by size.
2. Please check to see that all hardware and parts are present prior start of assembly.
3. Please follow attached instruction in the same sequence as numbered to assure fast and easy assembly.

### ⚠ WARNING !

1. Don't attempt to repair or modify parts that are broken or defective. Please contact the store immediately.
2. This product is for home use only and not intended for commercial establishments.
3. Two persons are required for assembly.
4. Approximate assembly time : 1/2 hours.
5. Component parts and fittings contained in the box.  
Please sort out all parts before you begin to assemble the item.  
This is to make sure you always use the correct part.

No.	Component For ONE	Q'ty
A	Chair Back	1

No.	Component For ONE	Q'ty
B	cushion frame 	1
C	Front Leg 	2
D	Front Stretcher 	1
E	Side Stretcher 	2

No.	Hardware list For ONE	Q'ty
①	 Bolts Ø6x75	4
②	 Bolts Ø6x60	4
③	 Bolts Ø6x40	2
④	 Lock Washer M6x1	10
⑤	 Washer M6xØ19x2	10
⑥	 Allen Key K4	1
⑦	 Screw M4x40	6

