

INSTRUCTION MANUAL

Thank you for your purchase, please consult the installation instructions

PARTS LIST



①



②



③



④



⑤



⑥



⑦



⑧



⑨



⑩



⑪



⑫

Please make sure that you have all parts indicated before you begin assembly of this item

① Gum plugs for screws ⑦ Wire connector

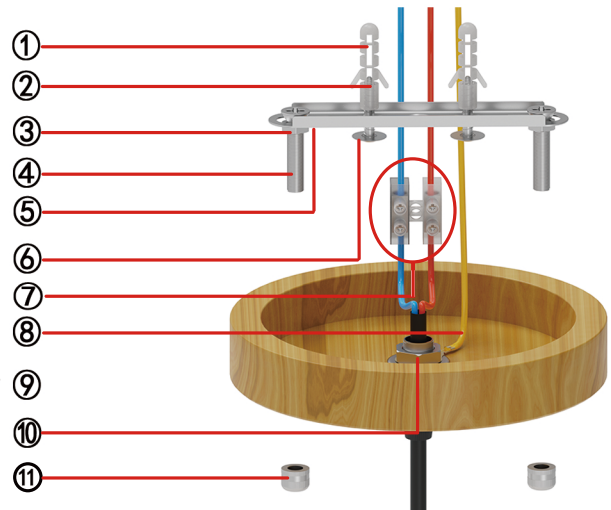
② Machine Screws for fixing bracket ⑧ Ground wire

③ Nuts for ④ Screws ⑨ Ceiling Canopy

④ Screws for fixing bracket and canopy ⑩ Transparent Locking Wire Buckle & Nut

⑤ Mounting Bracket ⑪ Nuts for screwing ⑨ Ceiling Canopy

⑥ Screw Gaskets ⑫ Wire Cap



NOTE

- Please check the strength of the ceiling before installation and install it in a place where it can bear the weight. (If the strength is insufficient, please make sure to reinforce it before installation.)
- Do not install in a dangerous and unstable place.

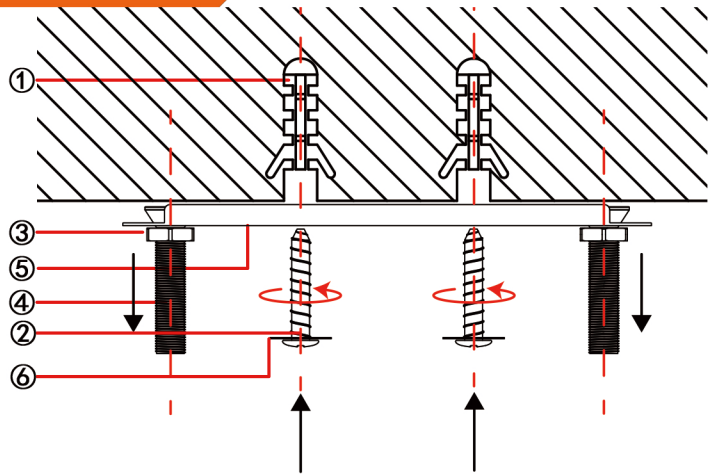
INSTALLATION STEPS

1. Mounting the bracket to the ceiling

1) Put ④ Screws across the end holes of ⑤ the Bracket, and then use ③ nuts to tighten;

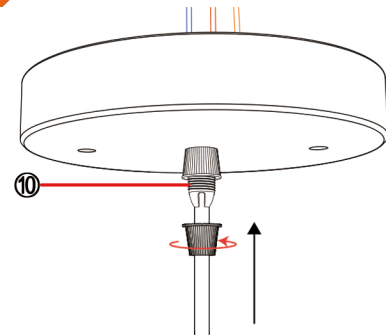
2) Punch holes in your ceiling according to the second holes of ⑤ the Bracket and then put ① gum plugs into the holes.

3) Put ⑥ Screw Gasket into ② Machine Screw and then fix ⑤ the Bracket to the ceiling.



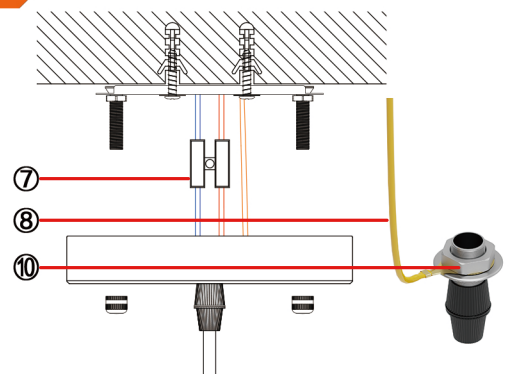
2. Secure the cord.

Unscrew ⑩ the transparent wire buckle, pass and pull the cord through ⑨ ceiling canopy to adjust the length of the cord, and then tighten the transparent wire buckle.



3. Connect the power cord

Positive and negative of your home Connect the cord through ⑦ Wire connector in order. (If you need to connect a ground wire, please use ⑧ ground wire to connect the ground wire reserved in your home with ⑩ Transparent Locking Wire Buckle & Nut.)



4. Fix the Ceiling Canopy

Cover ⑨ ceiling canopy across ④ screws of the fixed bracket, and then use ⑪ nuts to tighten the ceiling canopy.

