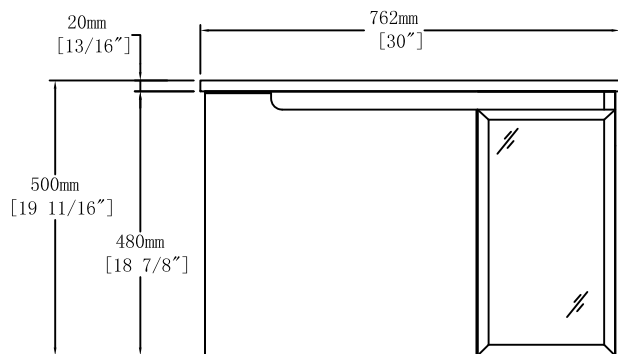
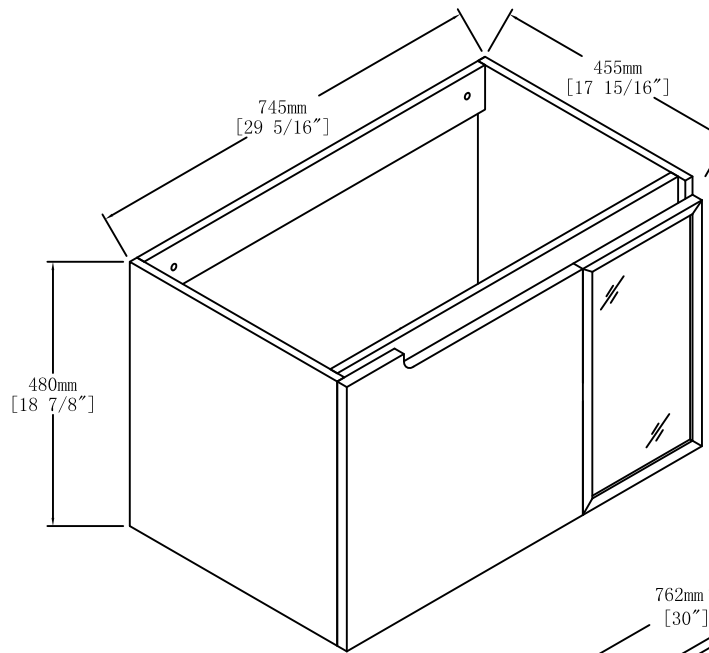
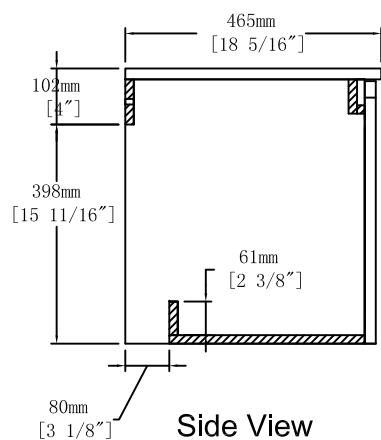


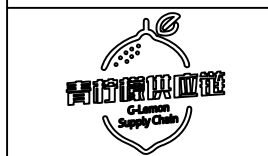
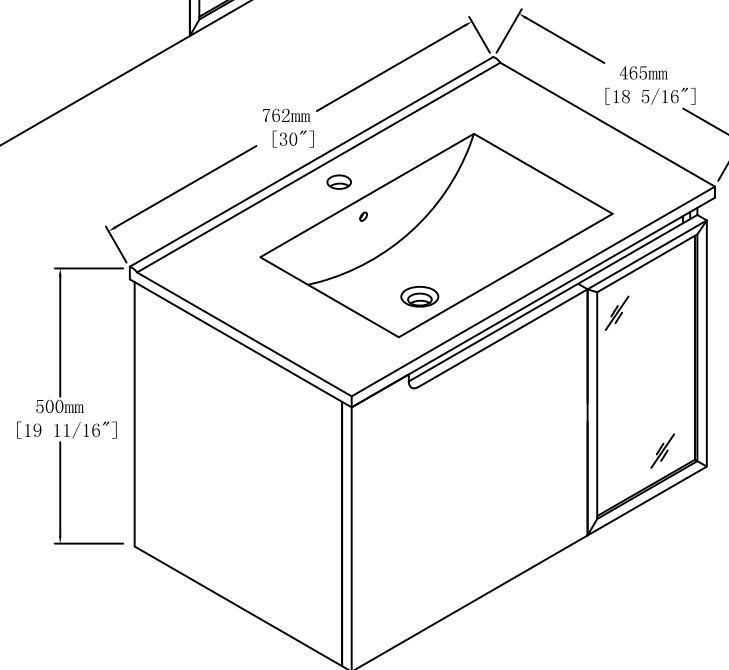
Top View



Front View



Side View



|          |           |
|----------|-----------|
| Item NO. | BV B13630 |
| Project  |           |

|         |           |
|---------|-----------|
| Version | V1        |
| Date    | 2025-6-24 |