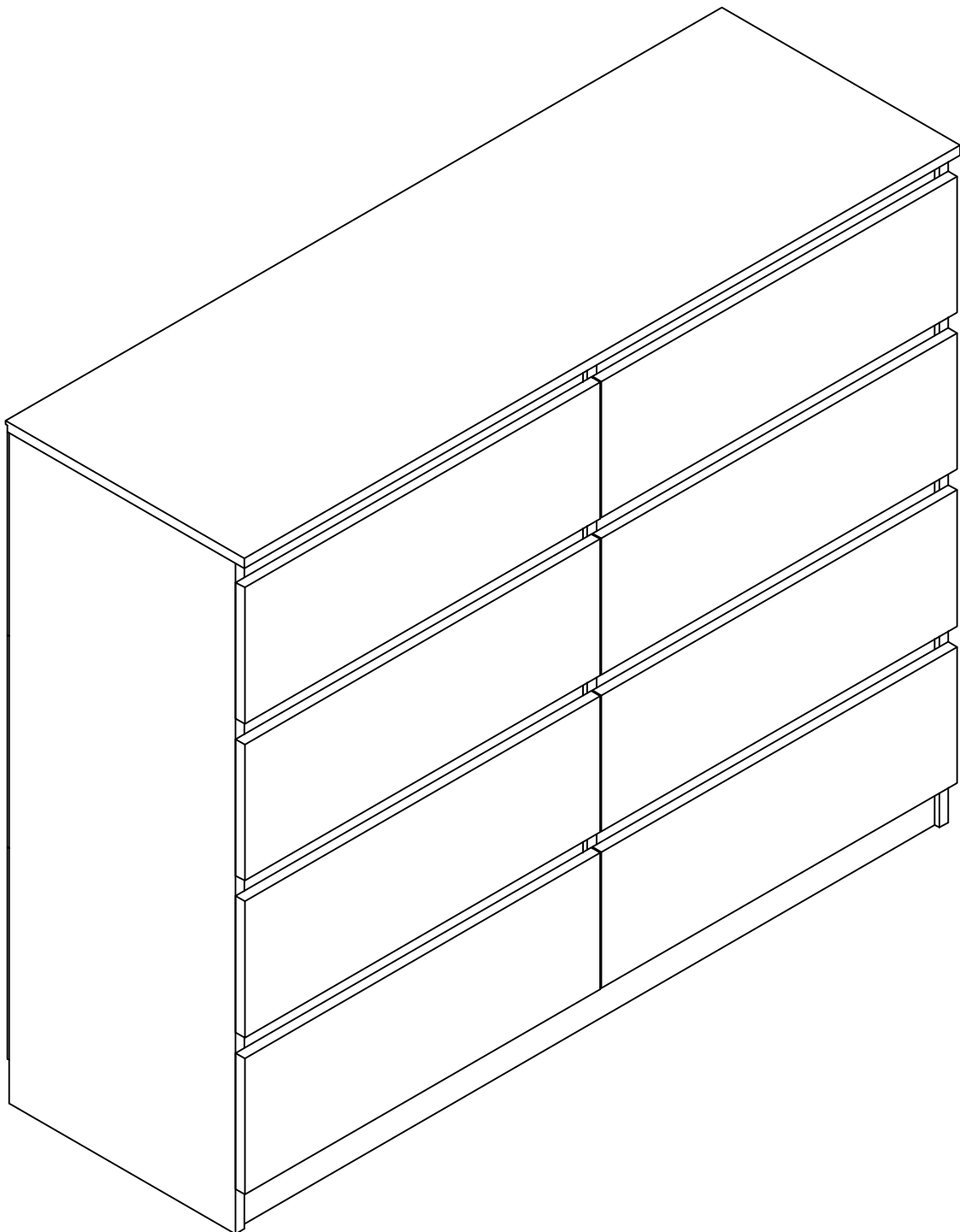


4+4 DRAWER CHEST

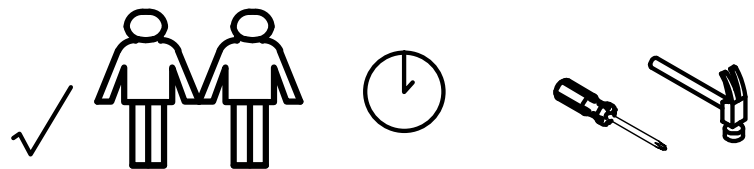
ASSEMBLY INSTRUCTION - Please Keep For Future Reference



Safety and Care Advice

IMPORTANT - Please Read This Instruction Carefully Before Assembly.

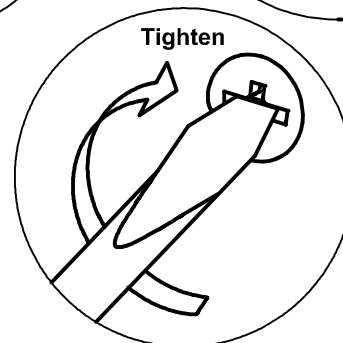
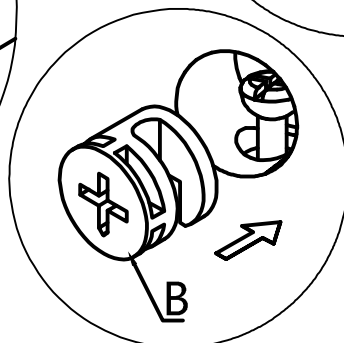
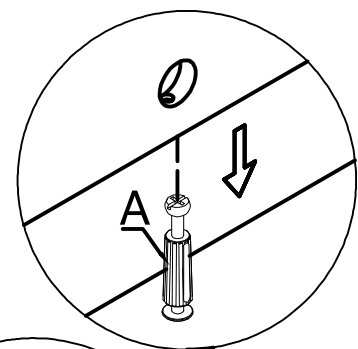
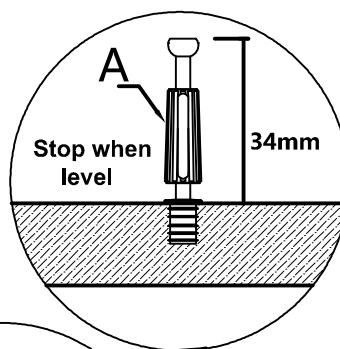
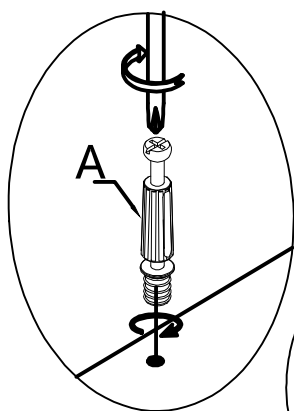
- Check you have all the components and tools listed on page 3.
- Do not stand or put weight on the product, this could cause damage.
- Do not use power drill/drivers for assembly, or the unit may be damaged.
- Remove all settings from the plastic bags and separate them into their groups.
- Assemble the item as close to it's intended position (in the same room) as possible.
- Assemble on a soft level surface to avoid damaging the unit.
- Dispose of all packaging carefully and responsibly.
- Keep children and animals away from the work area, small parts could choke if swallowed.
- Assemble the assembly will be easier with 2 people.



CARE and MAINTENANCE

- Only clean using a damp cloth and mild detergent, do not use bleach or abrasive cleaners.
- From time to time check that there are no loose screws on this unit.
- This product should not be discarded with household waste. Take to your local authority waste disposal center.

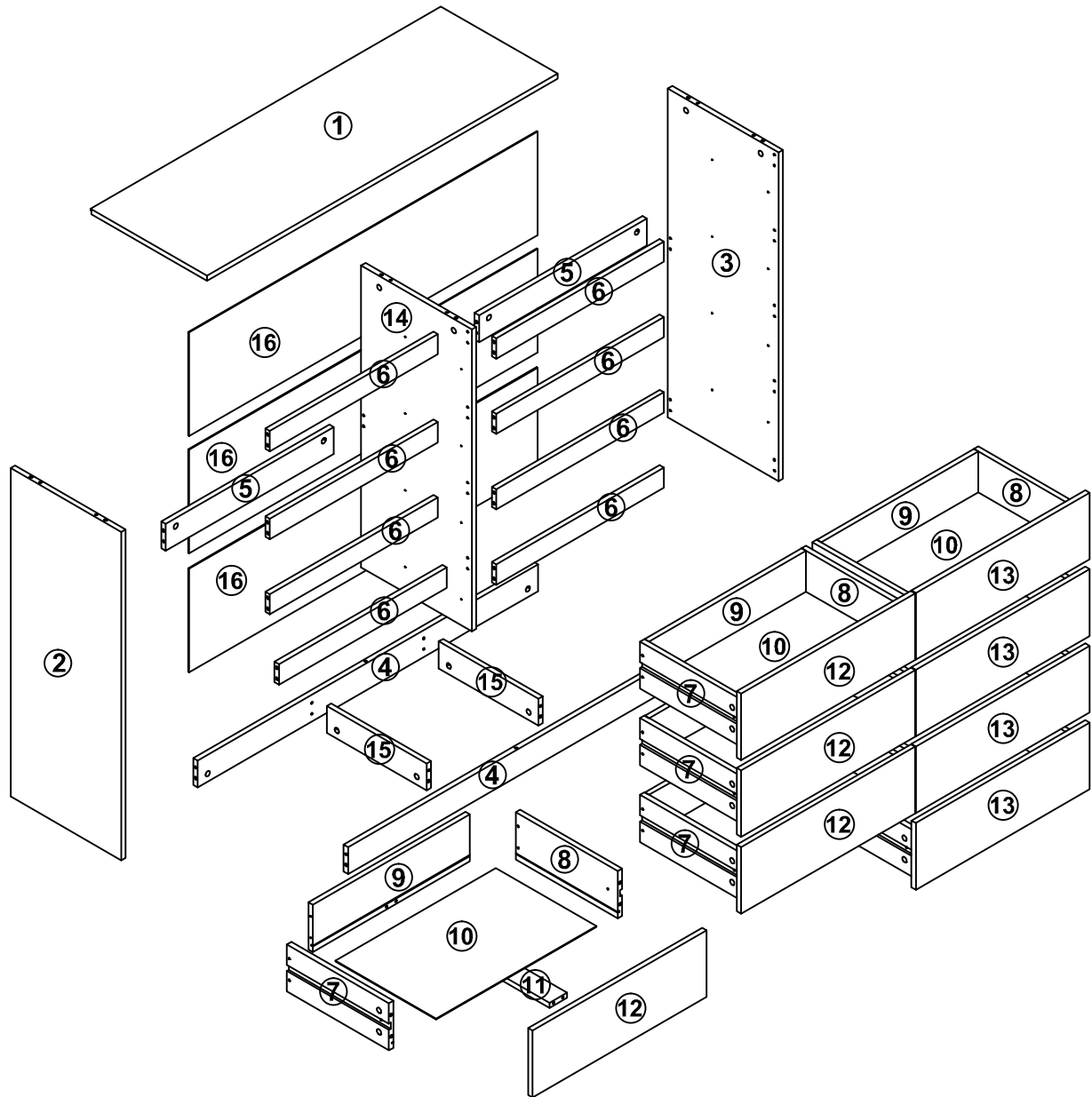
General Hints & Tips

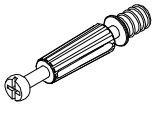
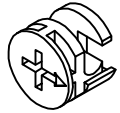
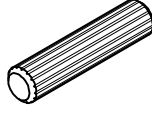
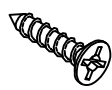


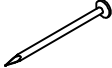

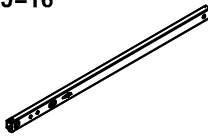
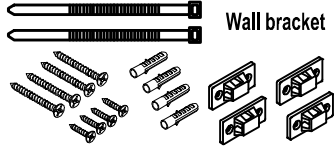


Components and Tools

IMPORTANT - Please Check If You Have All The Components and Tools.

Note: The quantities below are the correct amount to complete the assembly. In some cases more pieces may be supplied than are required.



A=82  Peg M6*34mm	B=82  Lock M15*12mm	C=54  Dowel M8*30mm	D=32  Screw M3.5*14mm	E=32  Screw M4*38	F=8  Plastic Feet
G=20  Pin	H=16  Screw M4*12mm	J=16  Drawer Runner	P=1  Wall bracket		

10F2 ①, ④X2, ⑤X2, ⑥X8, ⑩X8, ⑫X4, ⑬X4, ⑭, ⑮X2, ⑯X3,

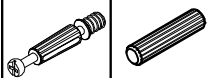
20F2 ②, ③, ⑦X8, ⑧X8, ⑨X8, ⑪X8, FITTING KIT

Assembly Instruction

Step 1

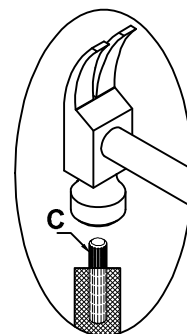
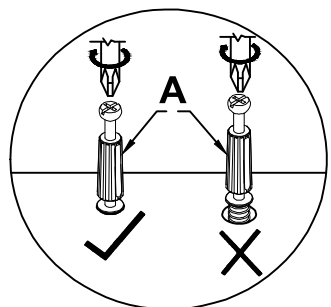
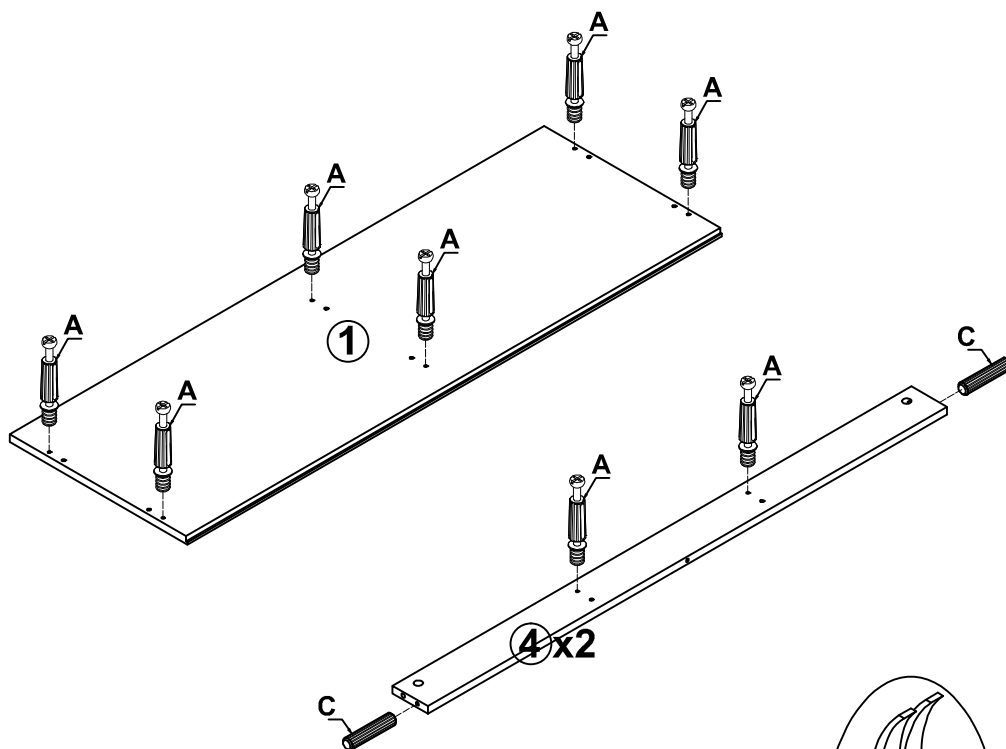
A=10

C=4



Peg

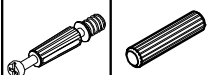
Dowel



Step 2

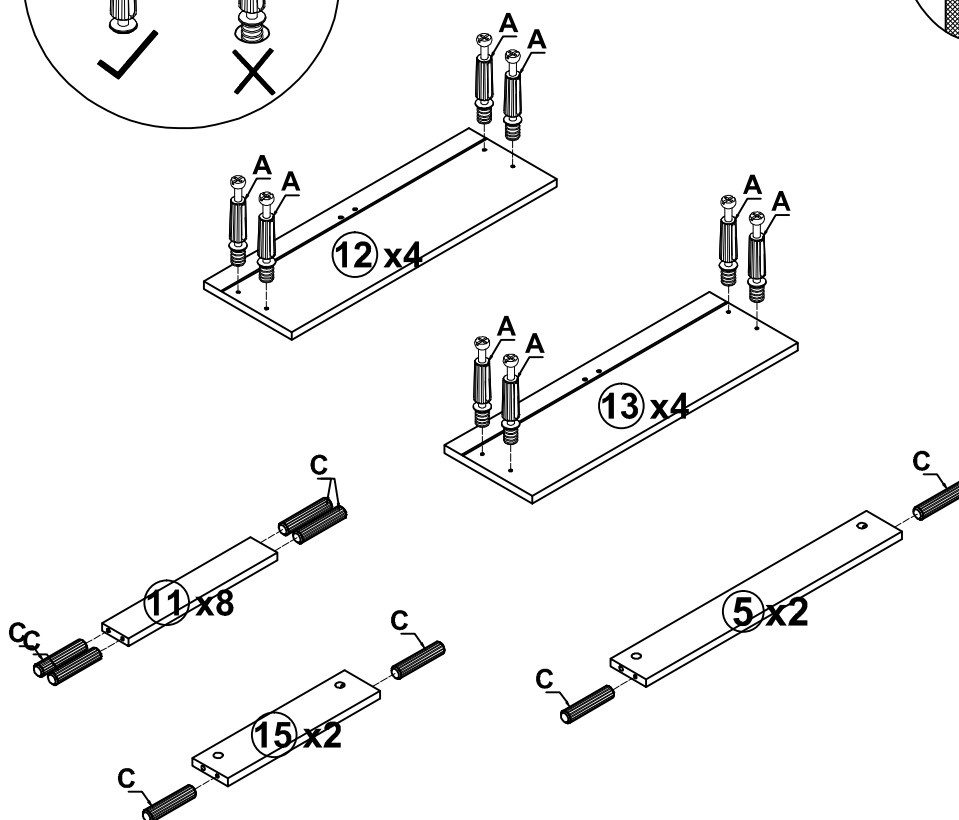
A=32

C=40







Peg

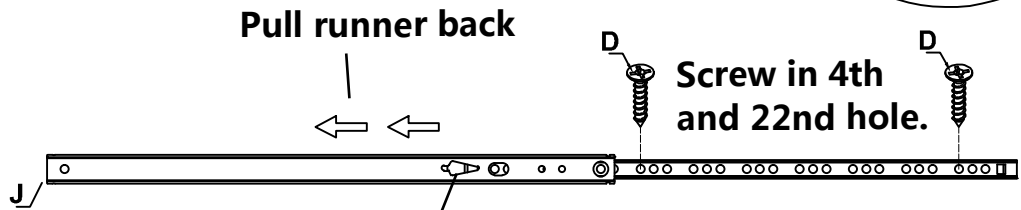
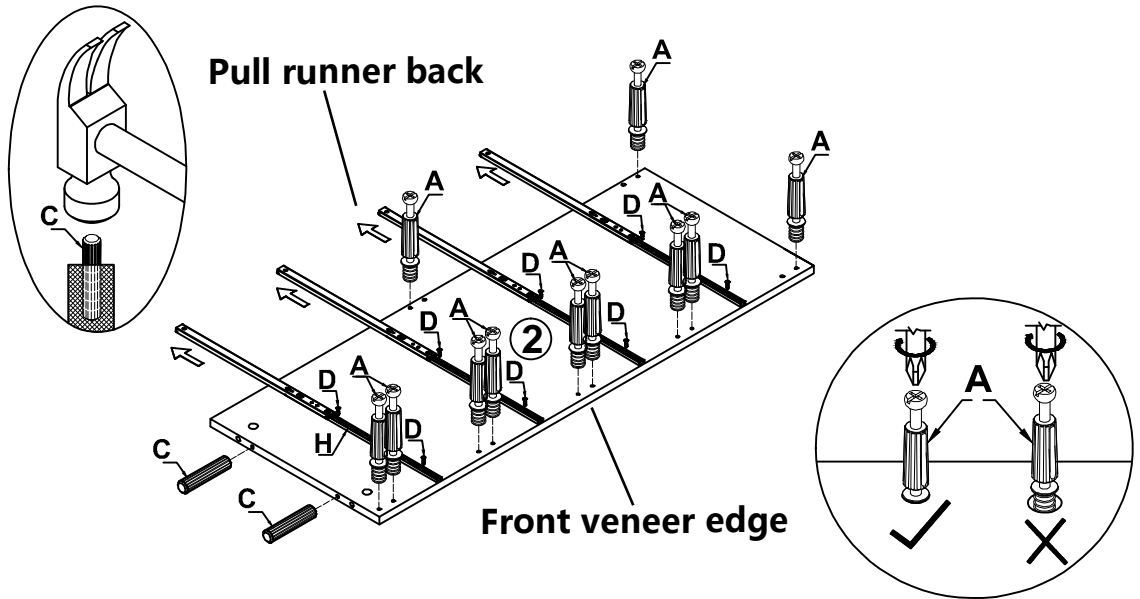
Dowel



Assembly Instruction





Step 3

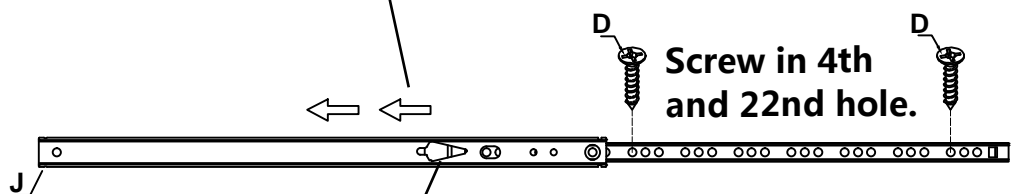
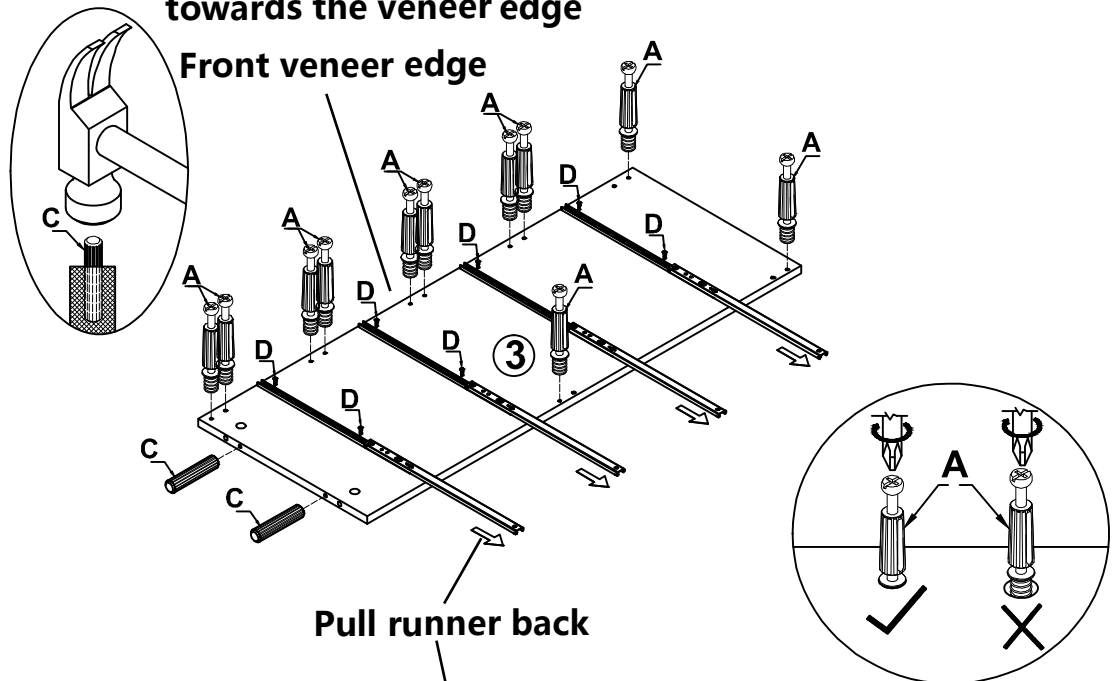
A=11	C=2
	
Peg	Dowel
J=4	D=8
	
Drawer Runner	Screw M3.5*14mm



Make sure this arrow on the runners is pointing towards the veneer edge

Step 4

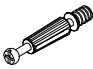



A=11	C=2
	
Peg	Dowel
J=4	D=8
	
Drawer Runner	Screw M3.5*14mm

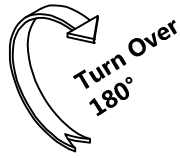
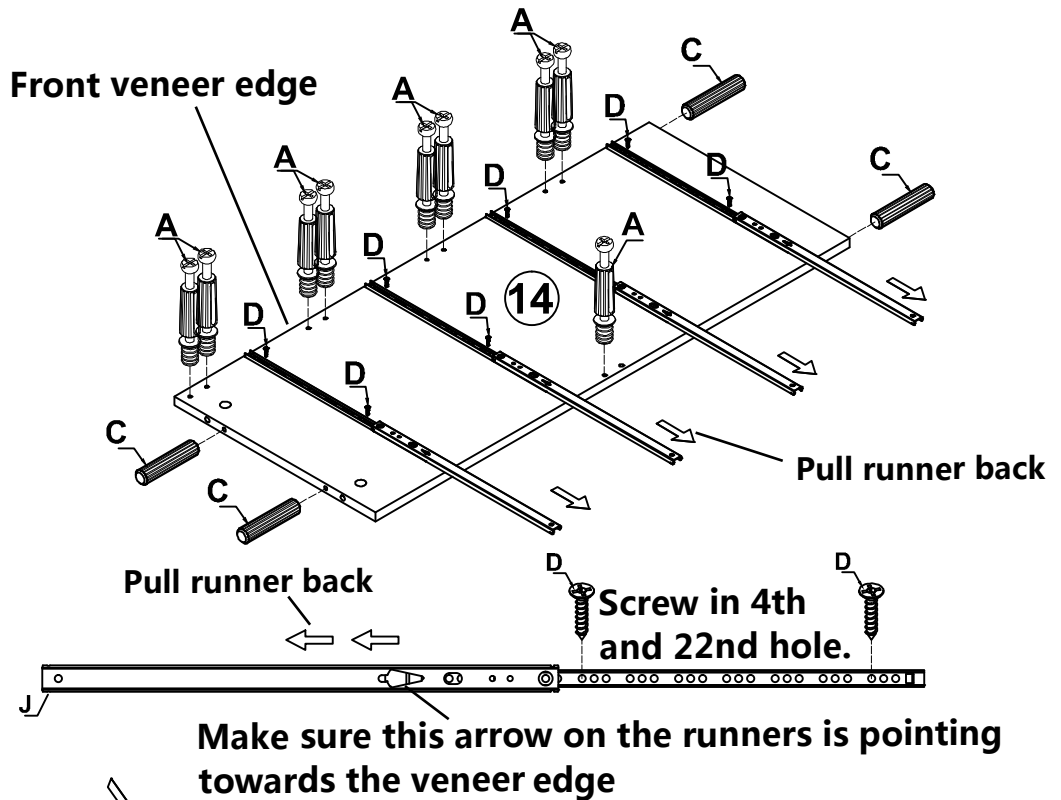


Make sure this arrow on the runners is pointing towards the veneer edge

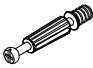


Assembly Instruction

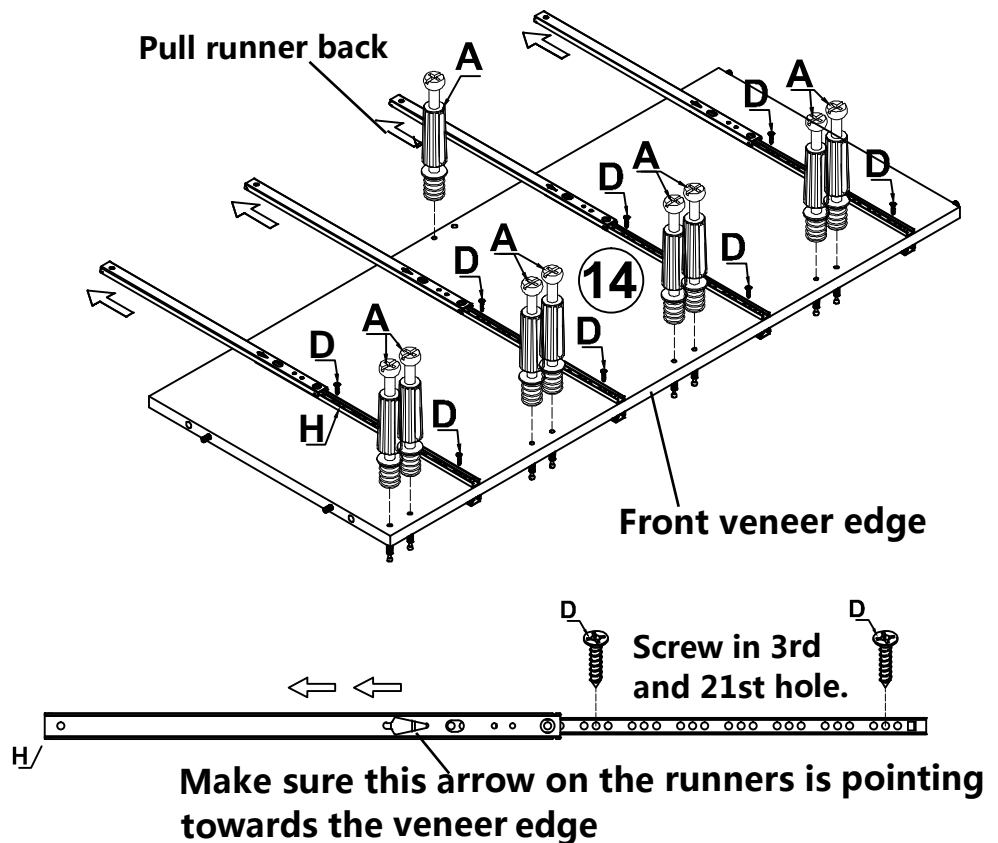
Step 5

A=9	C=4
	
Peg	Dowel
J=4	D=8
	
Drawer Runner	Screw M3.5*14mm



Step 6

A=9	J=4
	
Peg	Drawer Runner
D=8	
	
Screw M3.5*14mm	



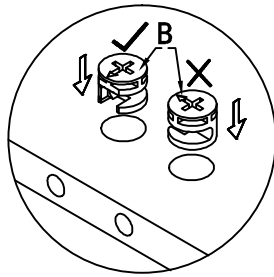
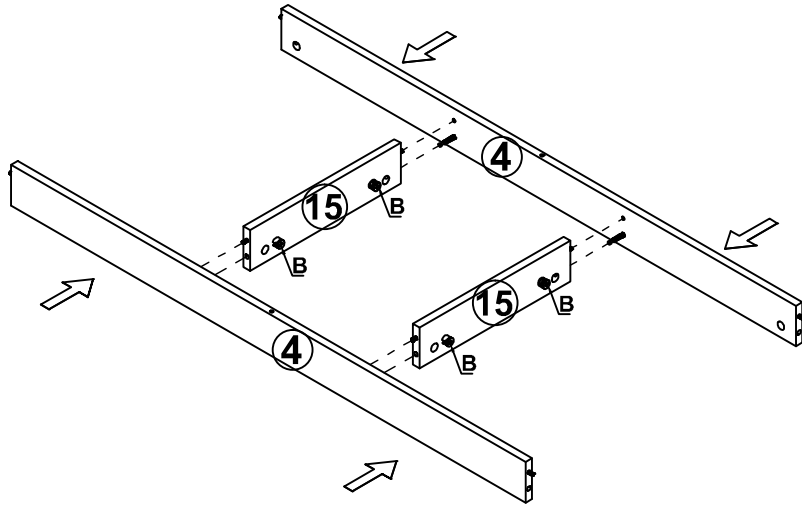
Assembly Instruction

Step 7

B=4



Lock

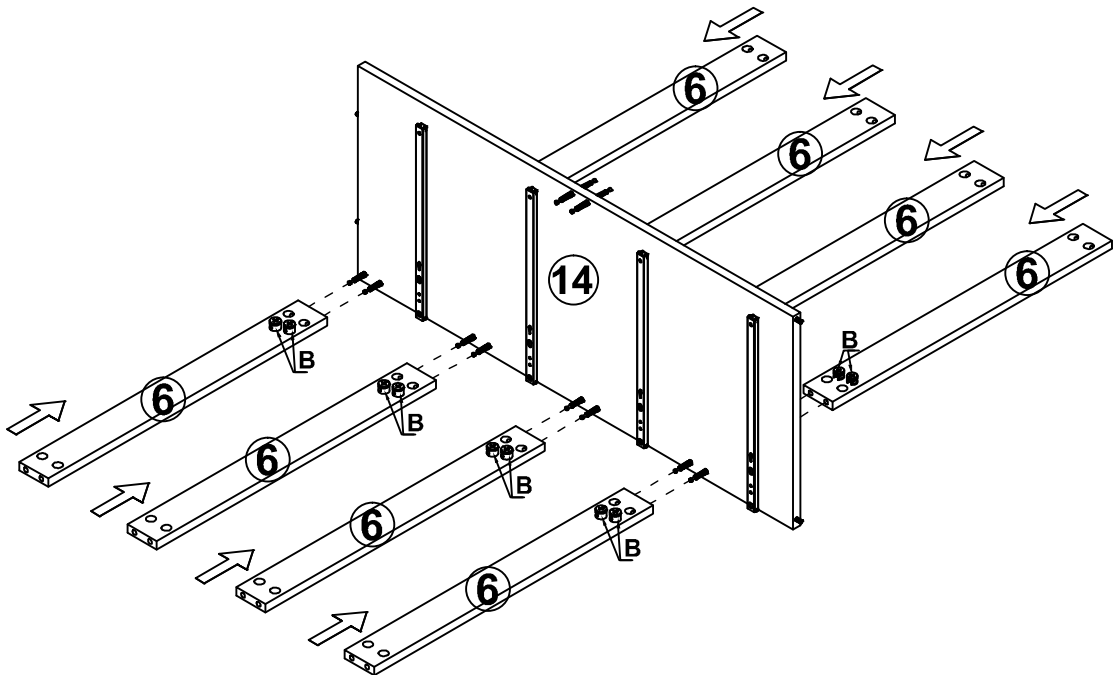


Step 8

B=16

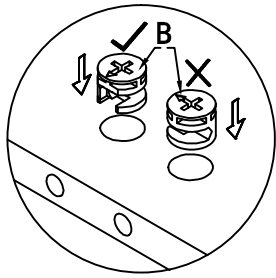
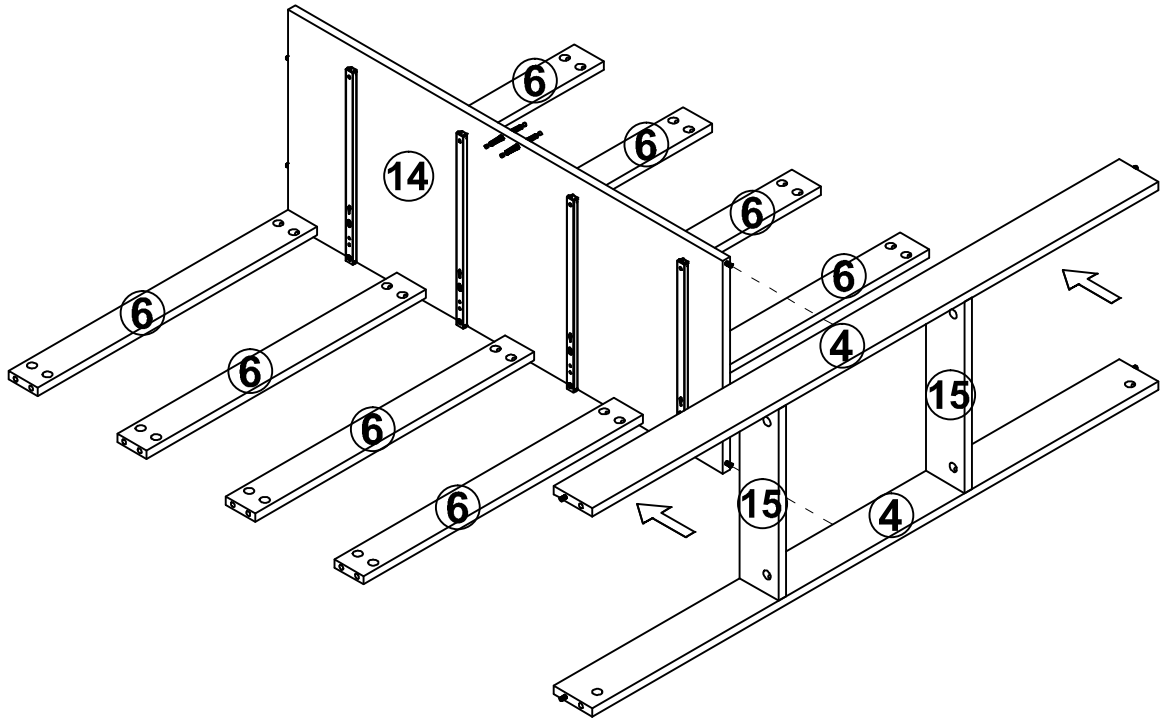


Lock



Assembly Instruction

Step 9

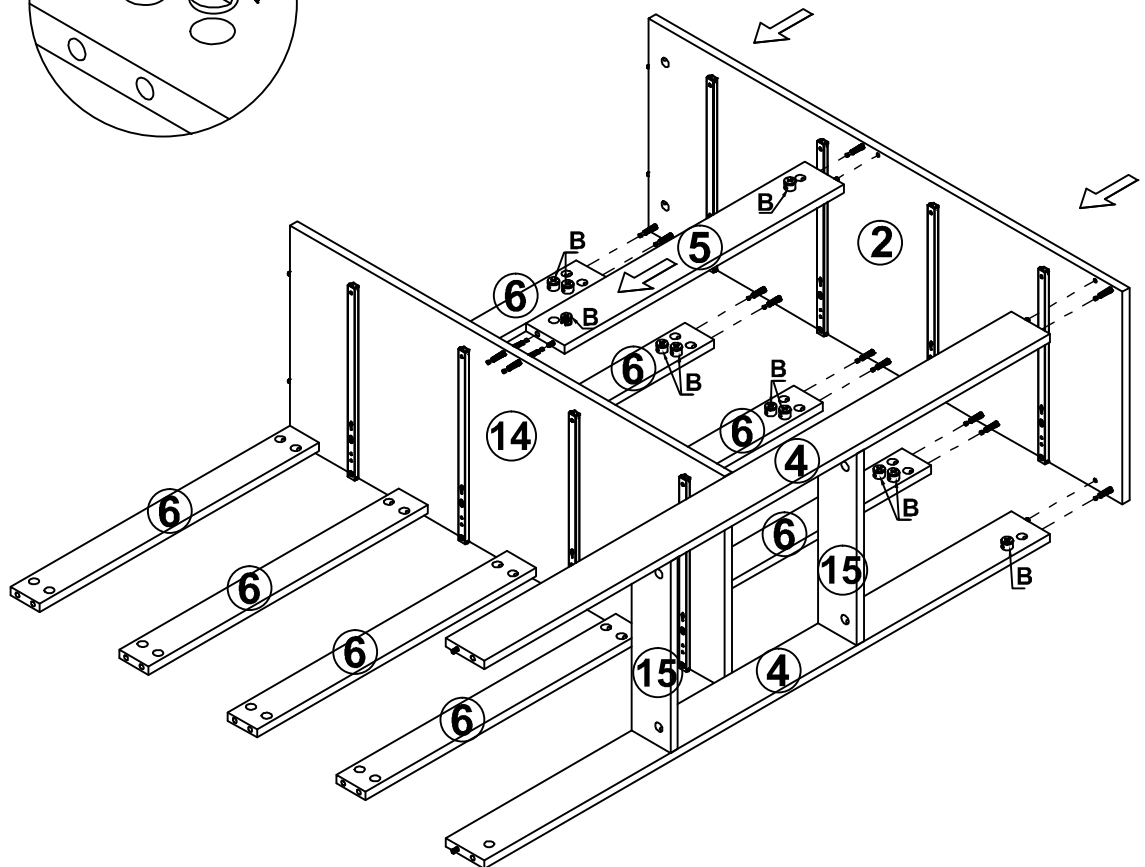


Step 10

B=12



Lock



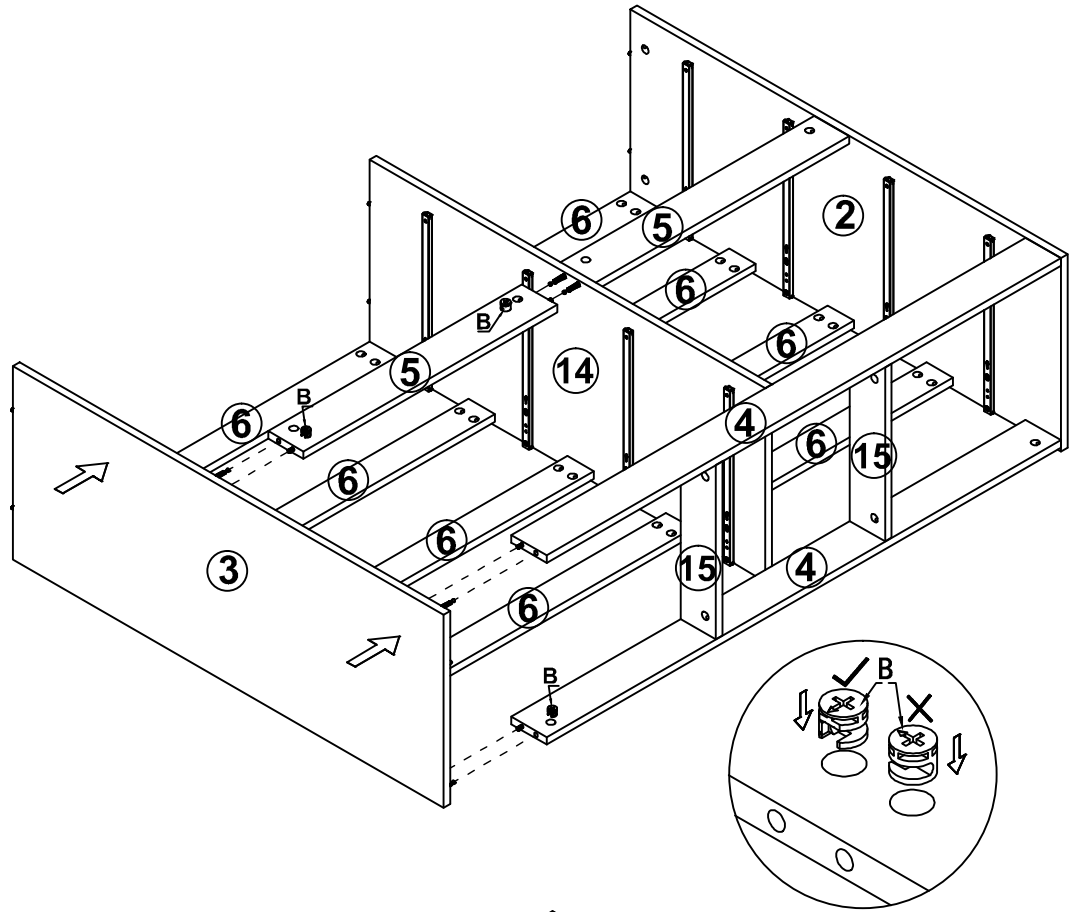
Assembly Instruction

Step 11

B=12



Lock

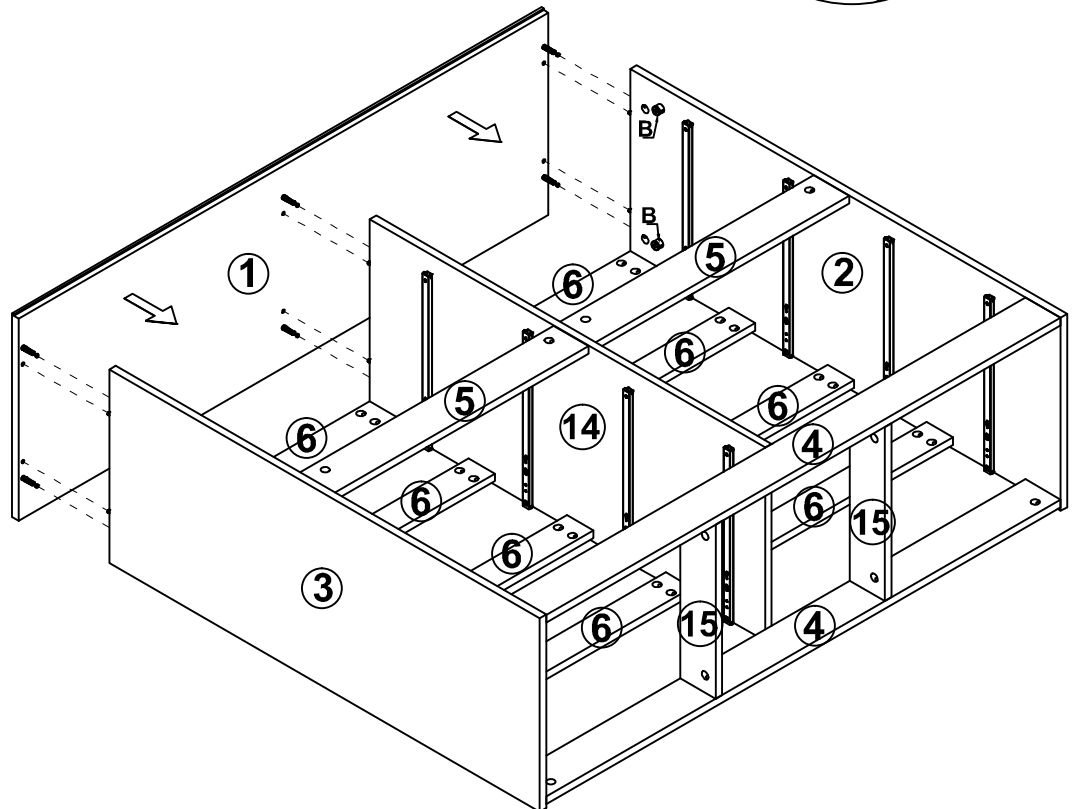


Step 12

B=6

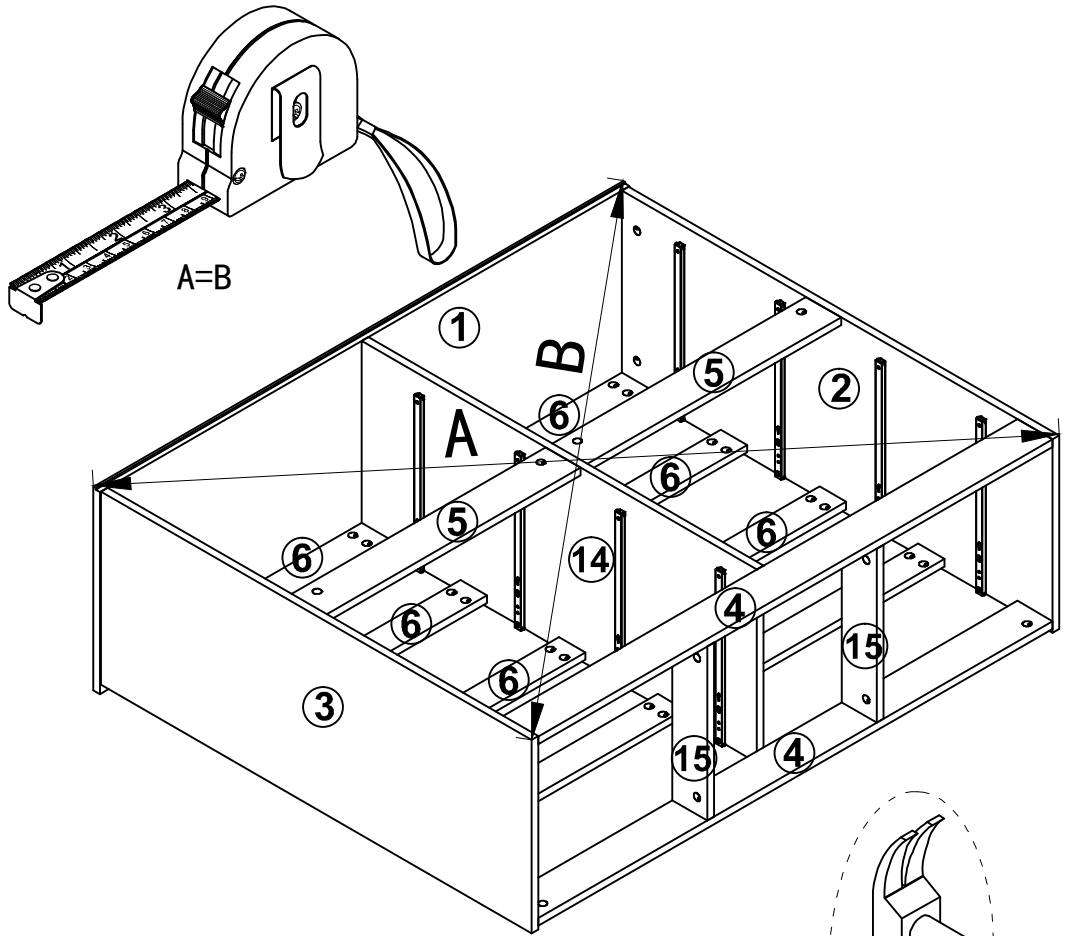


Lock



Assembly Instruction

Step 13



Step 14

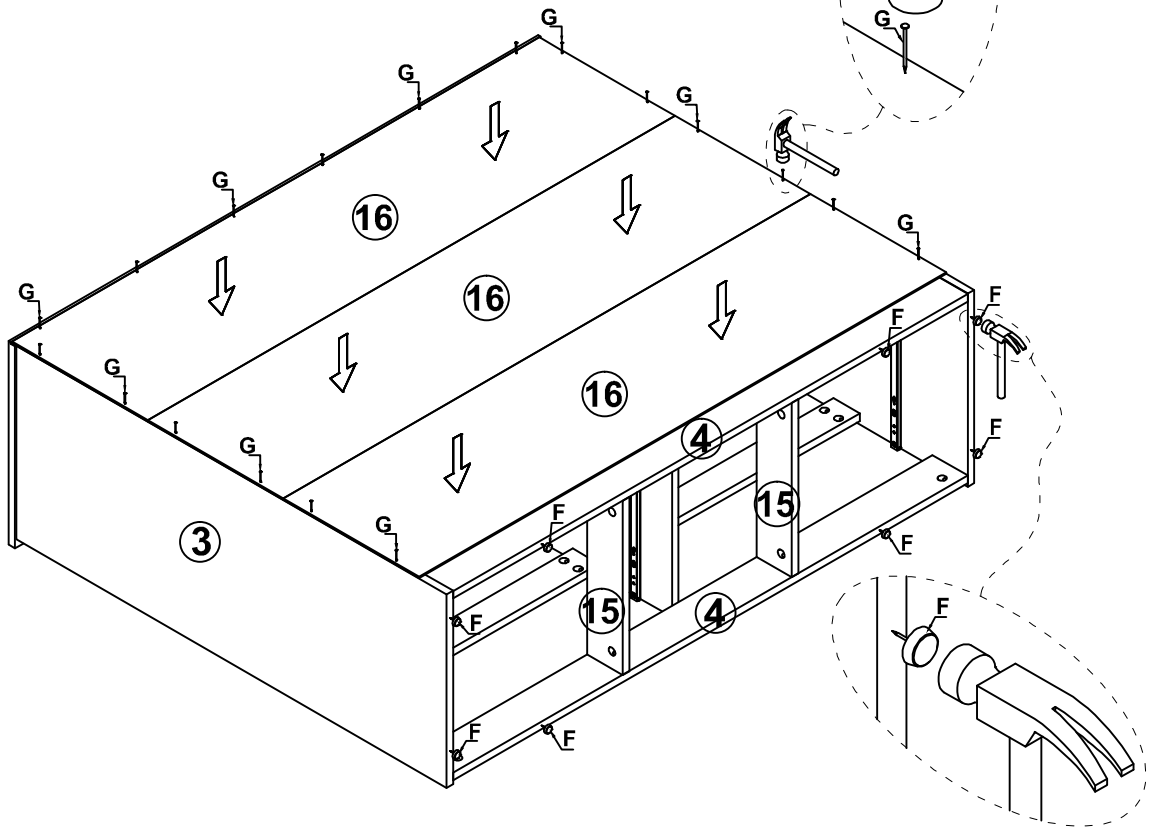
G=18

F=8



Pin

Plastic
Feet



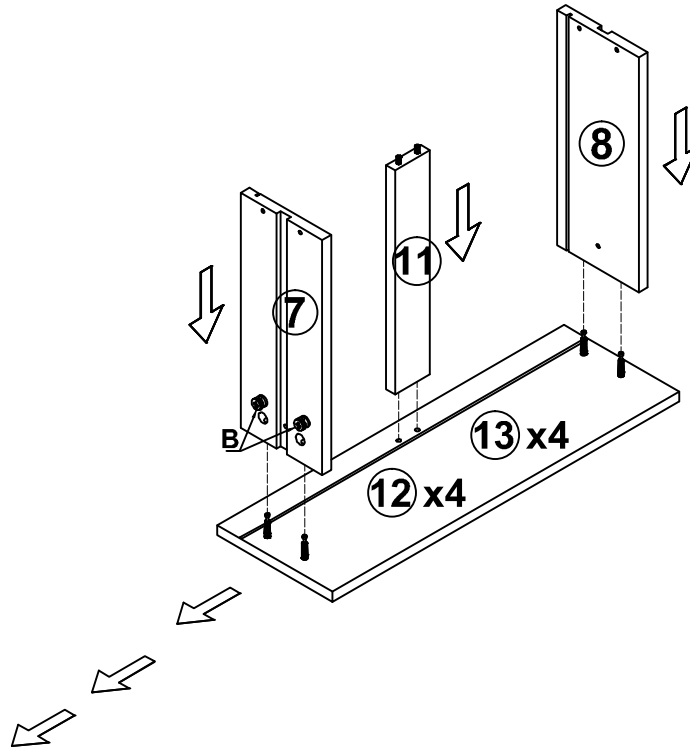
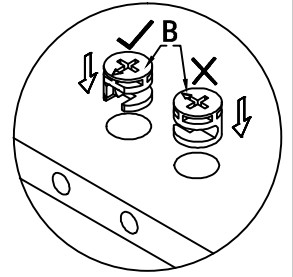
Assembly Instruction

Step 15

B=32



Lock

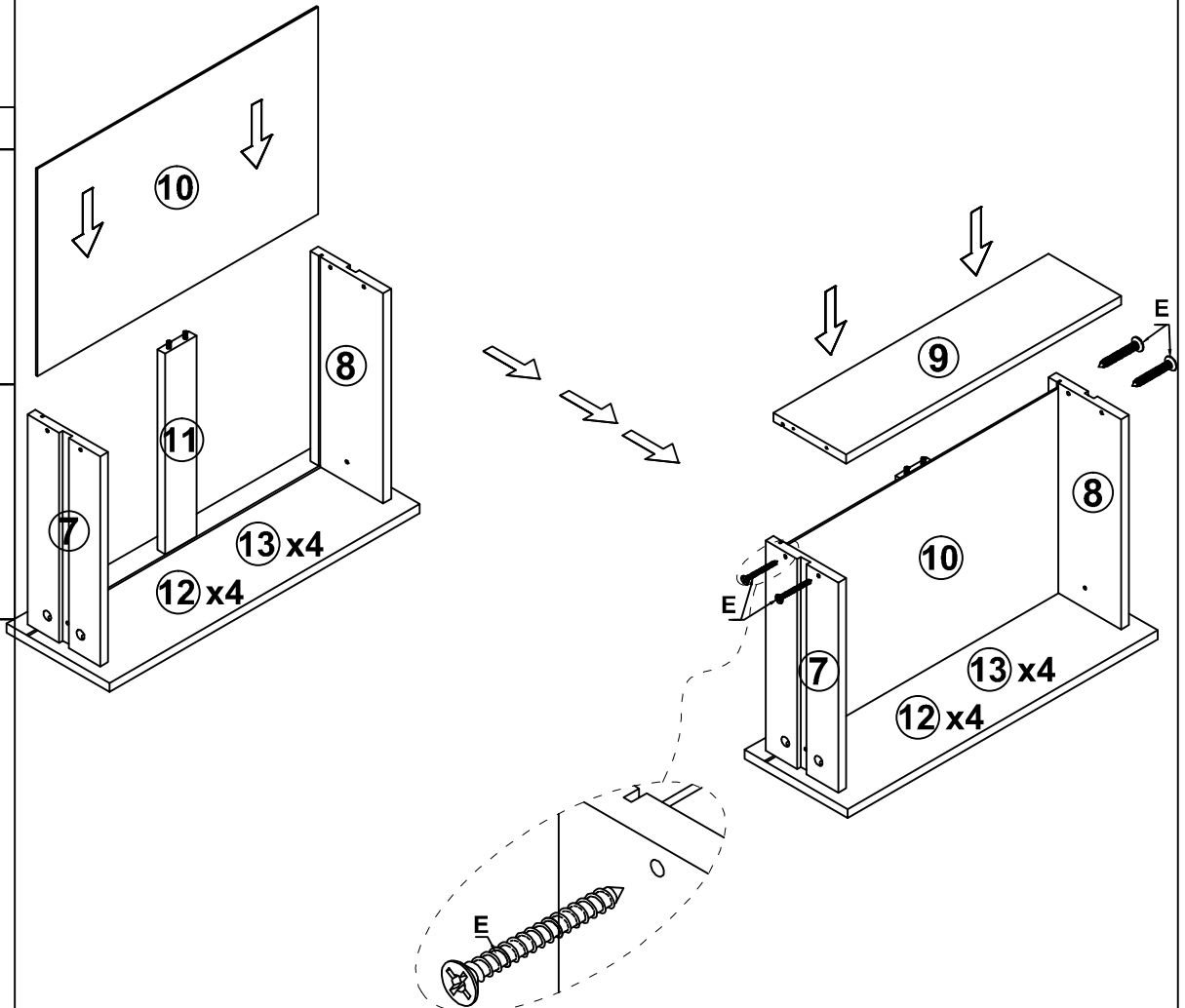


Step 16

E=32

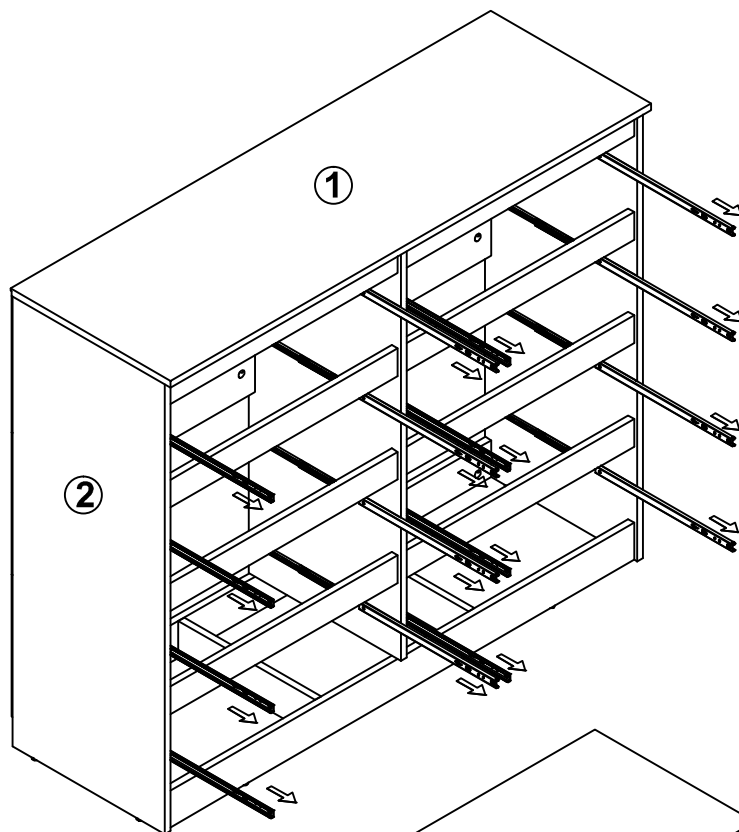


Screw
M4*38

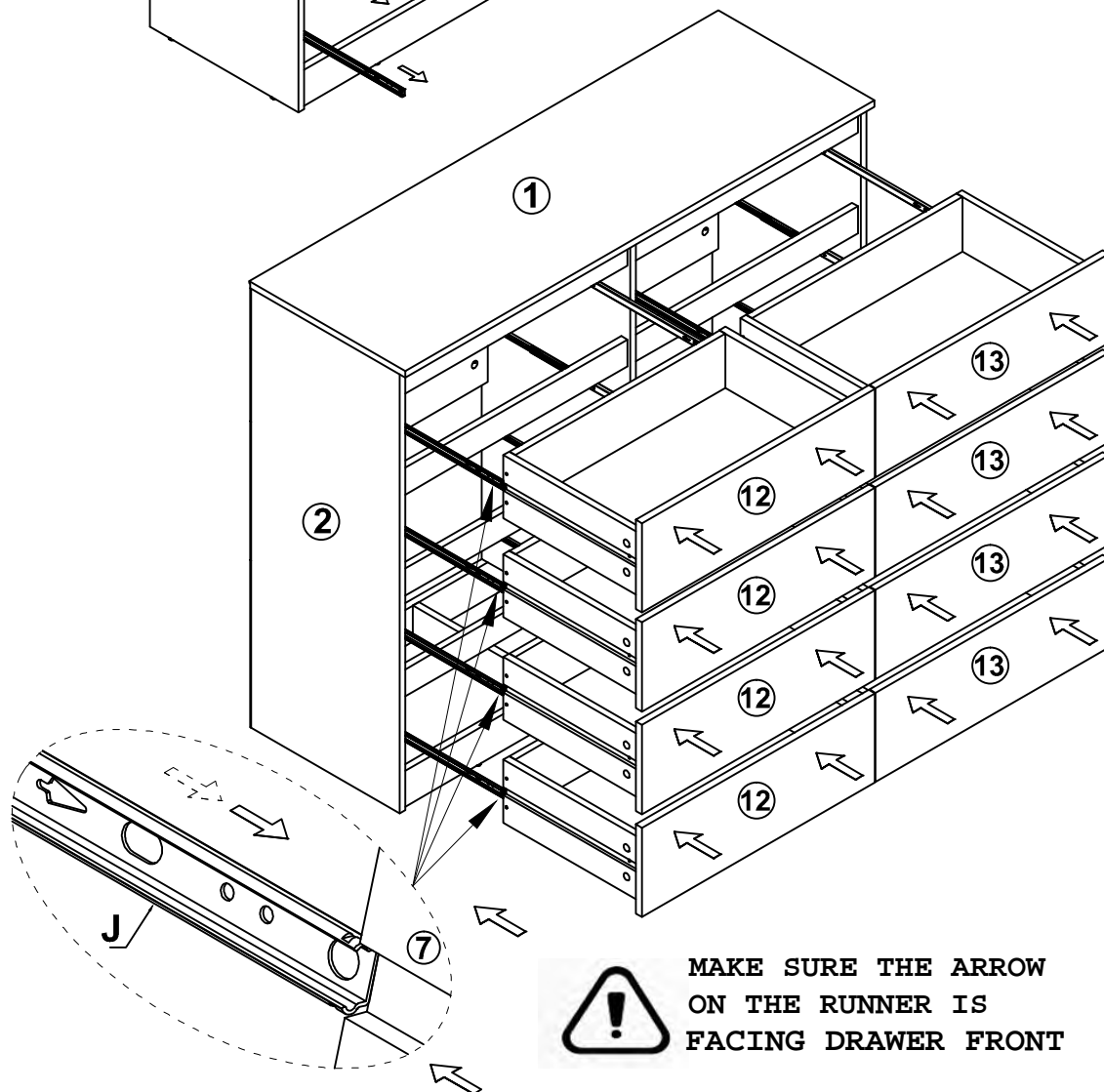


Assembly Instruction

Step 17



Step 18



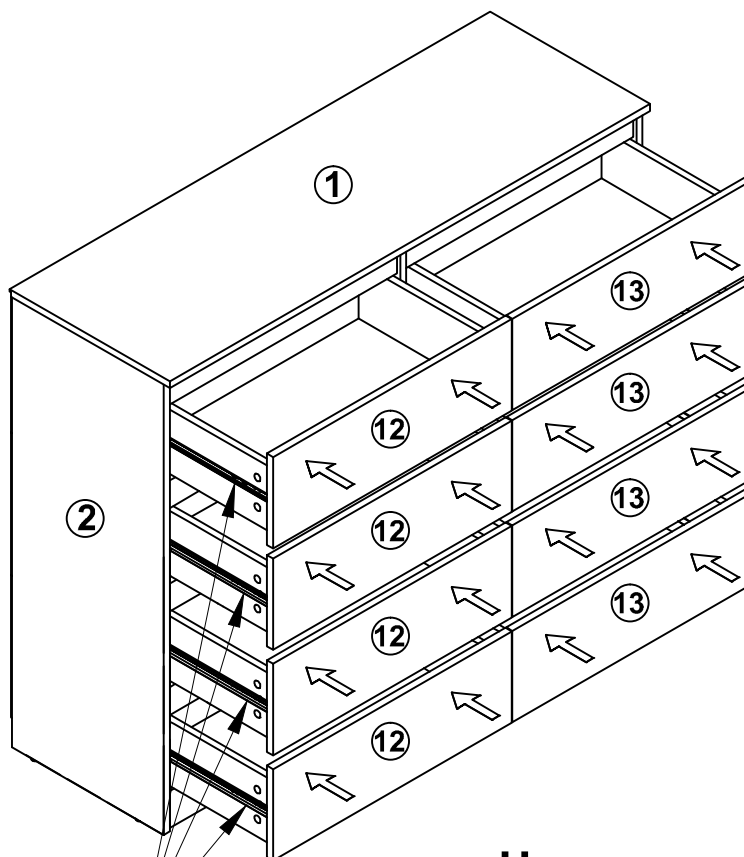
Assembly Instruction

Step 19

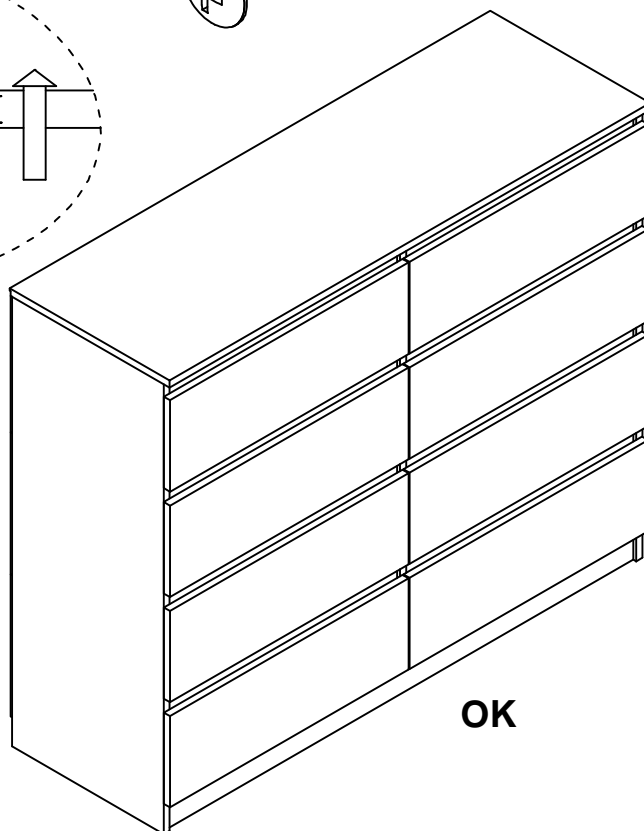
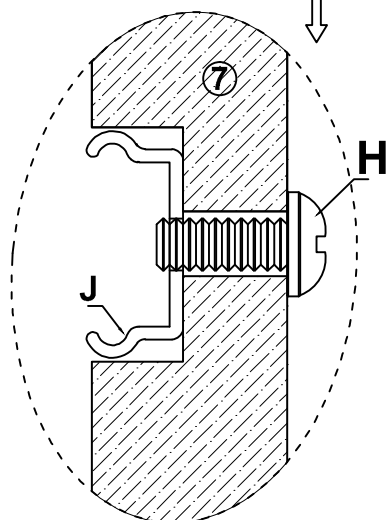
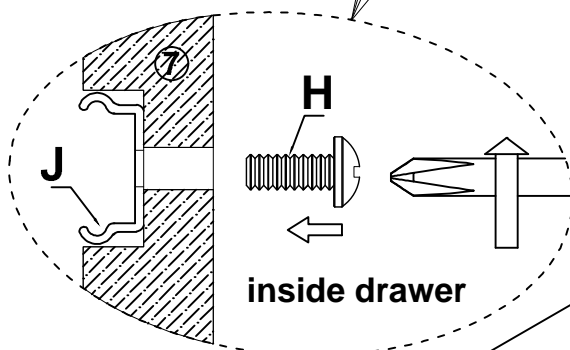
H=16



Screw
M4*12mm



Step 20



P=1

