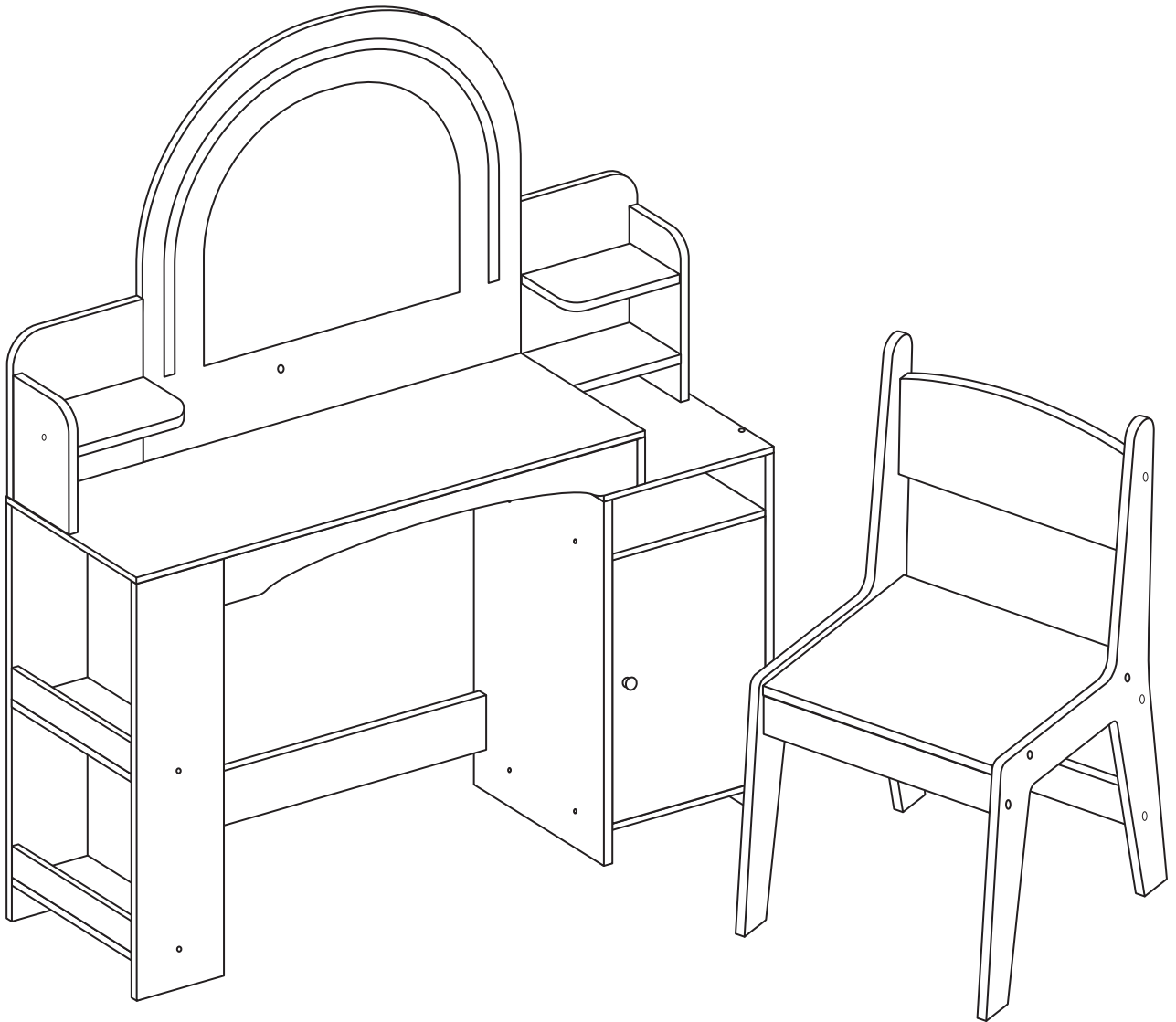
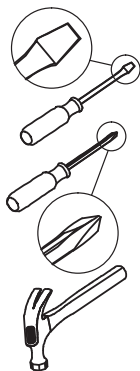


Kids Vanity with Lights



Before You Start



- ✓ Read through each step carefully and follow the proper order
- ✓ Separate and count all your parts and hardware
- ✓ Give yourself enough room for the assembly process
- ✓ Have the following tools: Flat Head Screwdriver, #2 Phillips Head Screwdriver and Hammer
- ✓ Caution: If using a power drill or power screwdriver for screwing, please be aware of to slow down and stop when screw is tight. Failure to do so may result in stripping the screw. (Assembly speed can be increased by using electric screwdriver)

Helpful Hints

PEOPLE NEEDED FOR ASSEMBLY: 1-2

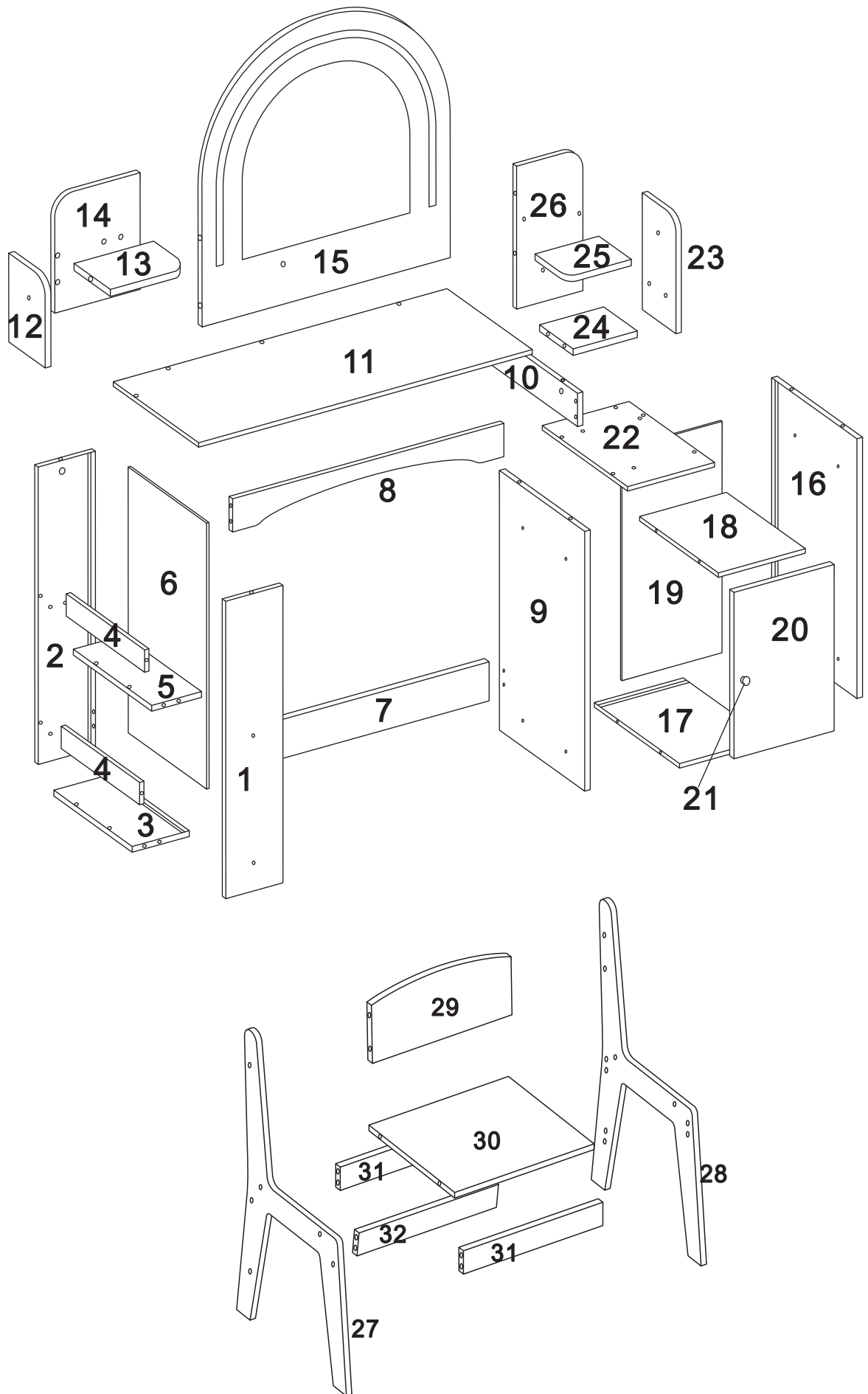
- Open your item in the area you plan to keep it to avoid excessive heavy lifting.
- Identify, sort and count the parts before attempting assembly.
- Compression dowels are lightly tapped in with a hammer.
- Slides are labeled with an **R** (right) and **L** (left) for proper placement.
- Make sure to always face the point on the top of the Cam Lock towards the outer edge.
- If there is a back panel in the package, please install it to make sure your unit is complete and sturdy.
- Please fix all the screws provided for the back panel which can enhance product stability. If it is difficult to fix when tightening, it can be fixed with the help of a hammer and then tightened.
- Do NOT use harsh chemicals or abrasive cleaners on this item.
- Never push, pull, or drag your furniture.





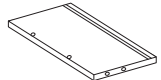
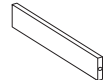
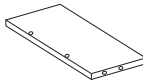

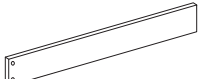


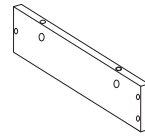

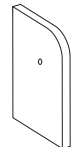
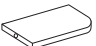
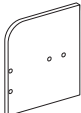
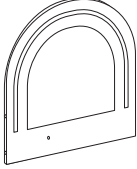

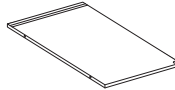
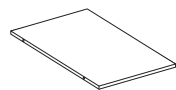

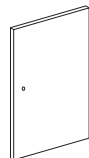
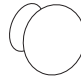
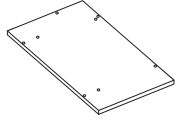
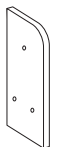
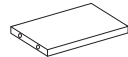

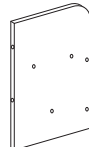
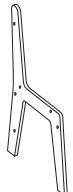
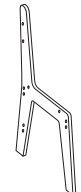

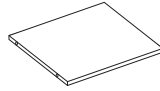
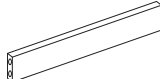
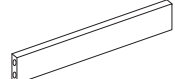

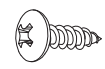



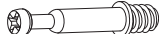
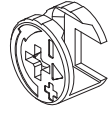
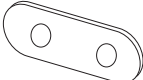
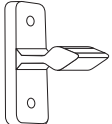
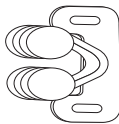
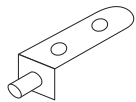
WARNING
CHOKING HAZARD-
Small parts. Not for children under 3 yrs.

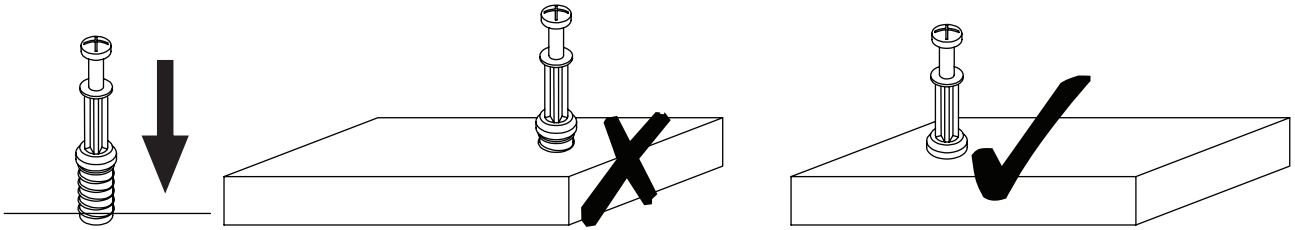
WARNING:
Assembly by an adult

EXPLODED DRAWING:

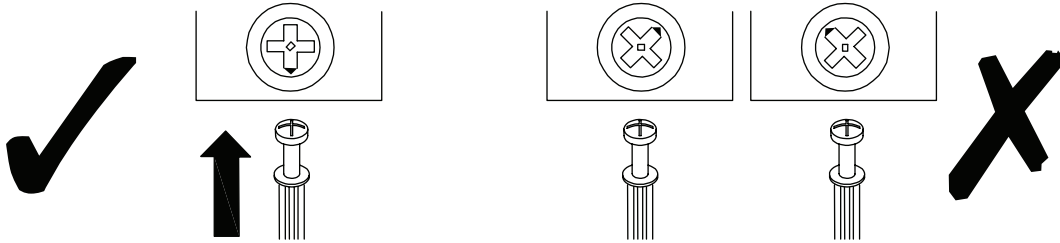


PARTS:

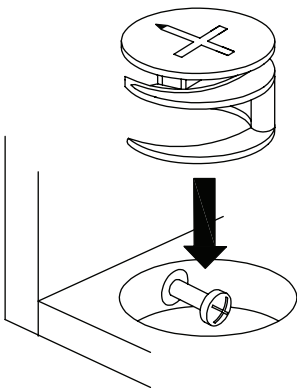
 1: 1pc	 2: 1pc	 3: 1pc	 4: 2pcs	 5: 1pc	 6: 1pc	
 7: 1pc	 8: 1pc	 9: 1pc	 10: 1pc	 11: 1pc	 12: 1pc	
 13: 1pc	 14: 1pc	 15: 1pc	 16: 1pc	 17: 1pc	 18: 1pc	
 19: 1pc	 20: 1pc	 21: 1pc	 22: 1pc	 23: 1pc	 24: 1pc	
 25: 1pc	 26: 1pc	 27: 1pc	 28: 1pc	 29: 1pc	 30: 1pc	
 31: 2pcs	 32: 1pc	 $\varnothing 5 \times 40 \text{mm}$ A: 48pcs +4(spare)	 $\varnothing 3 \times 8 \text{mm}$ B: 12pcs +1(spare)	 $\varnothing 6 \times 18 \text{mm}$ C: 2pcs	 $\varnothing 4 \times 20 \text{mm}$ D: 1pc	
 $\varnothing 6 \times 30 \text{mm}$ E: 34pcs +3(spare)	 F: 4pcs	 G: 4pcs	 H: 2pcs	 I: 1pc	 J: 1pc	 K: 2pcs



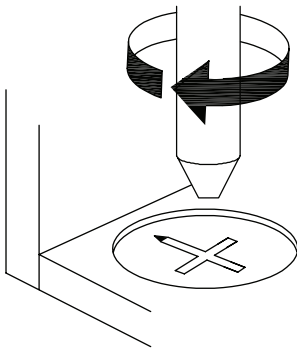
EN_QUICKFIT: Tighten quickfit until shoulder is flush with panel. Do not overtighten or undertighten.



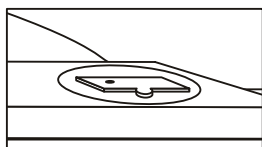
EN_CAM LOCK: When fitting cam lock, ensure starting position is correct before you insert connecting quickfit.



EN_Quickfit head should be in the centre of the cam lock when the two panels are joined.
Cam lock should be inserted before quickfit.

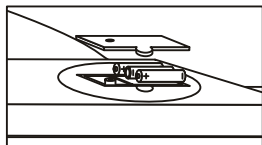


EN_Turn cam lock clockwise to tighten.

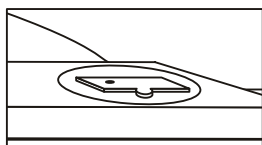


EN: ATTENTION:

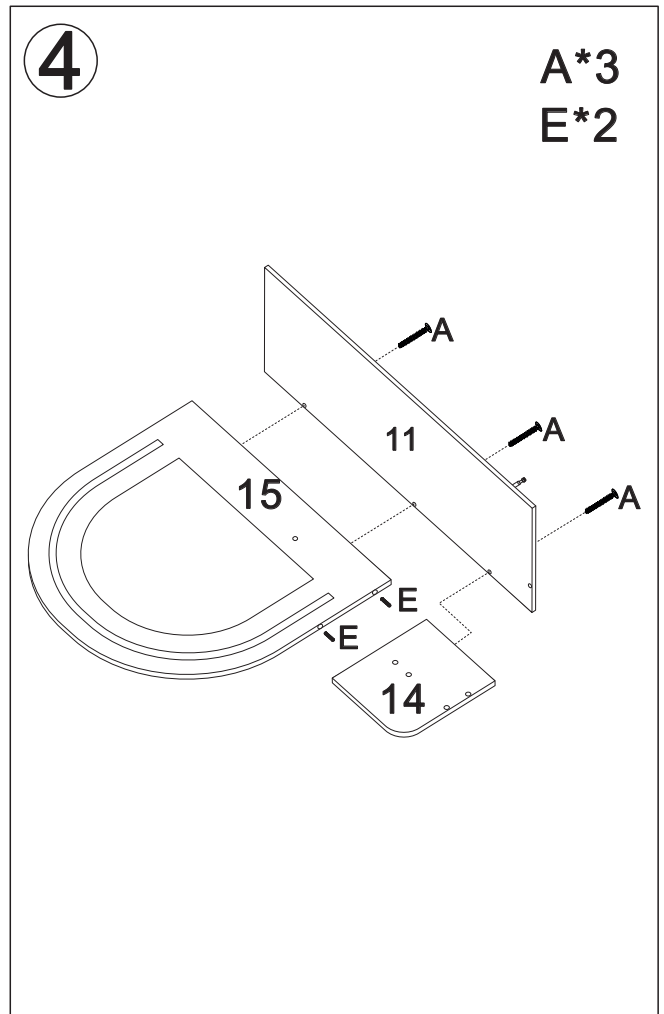
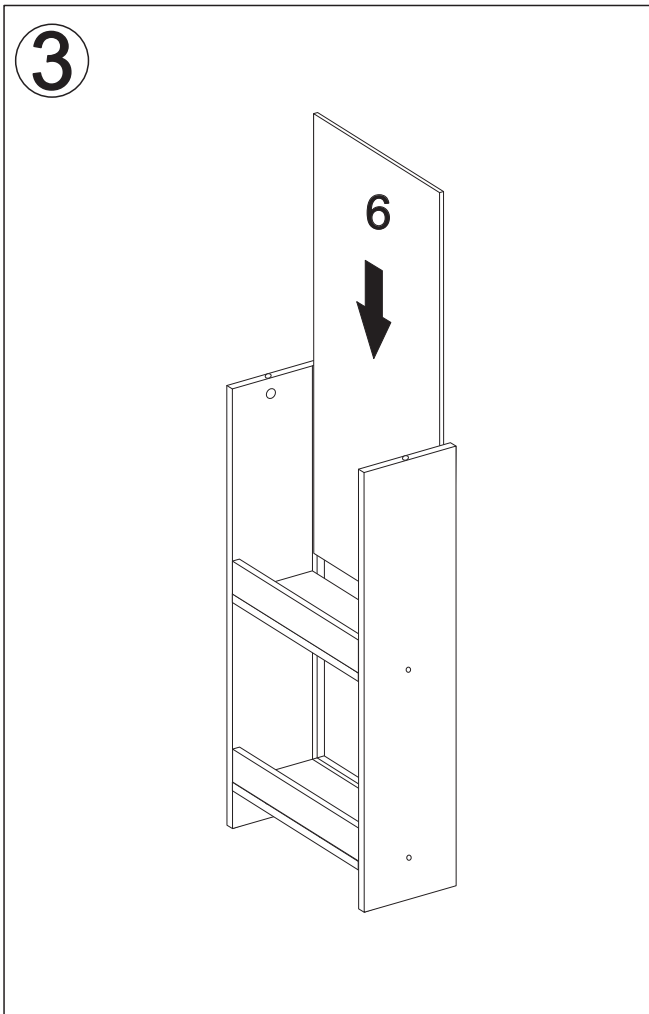
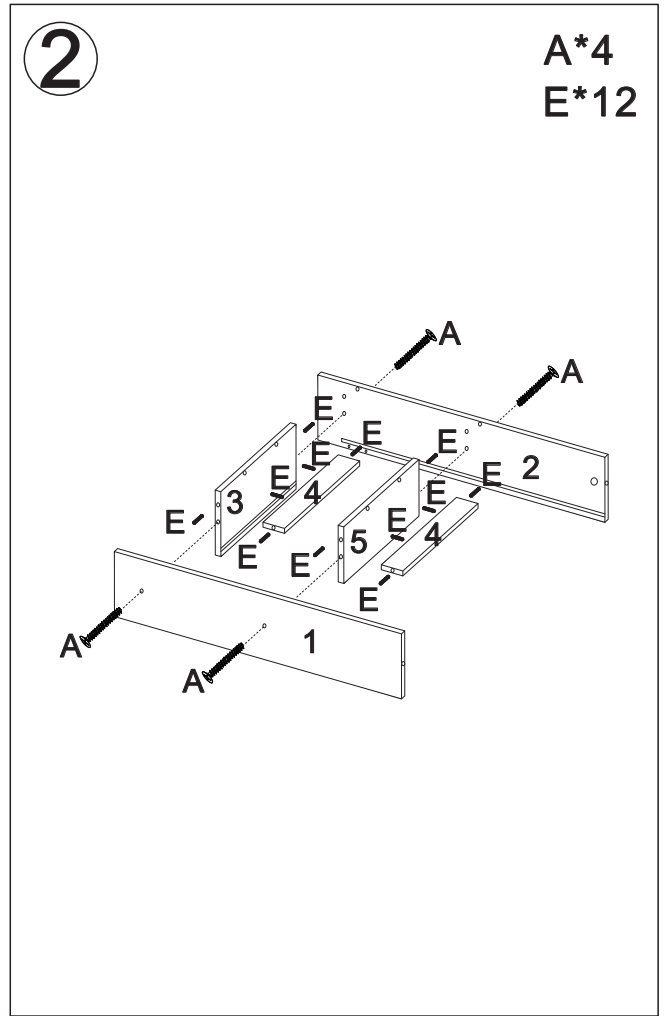
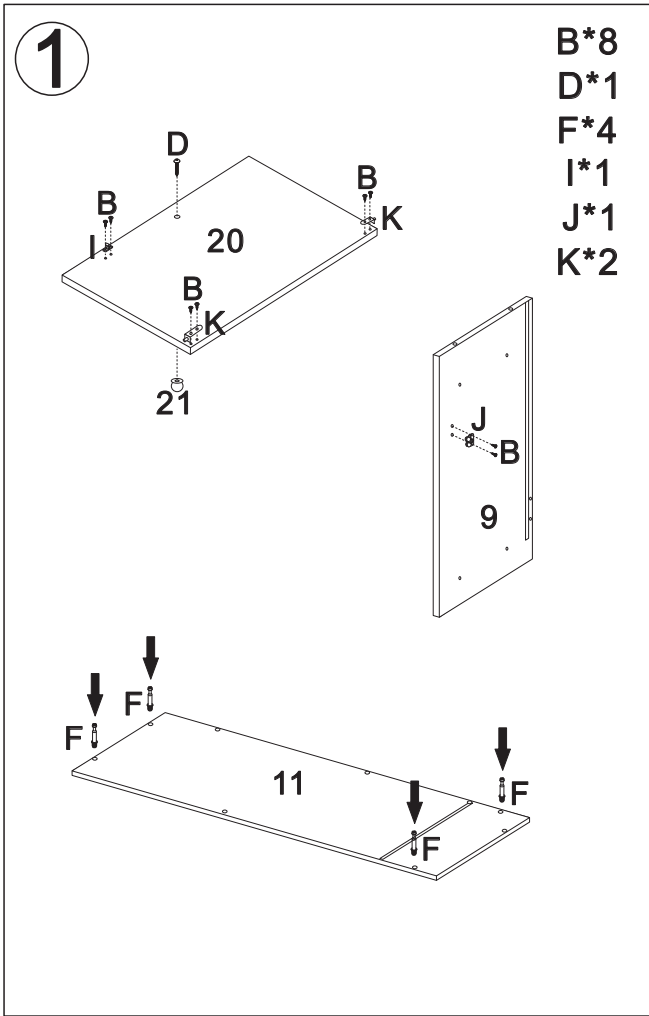
Use Phillips screwdriver to open the lid of light strip, put 3pcs of AA batteries in the groove, positive to positive, negative to negative, then close the lid of light strip, lock it with screwdriver.

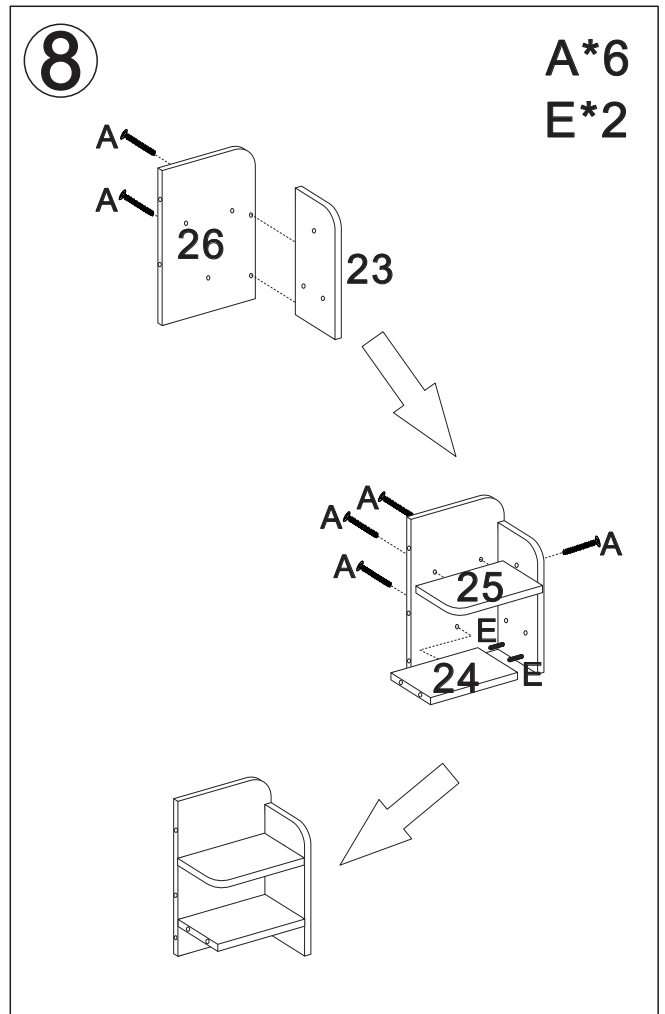
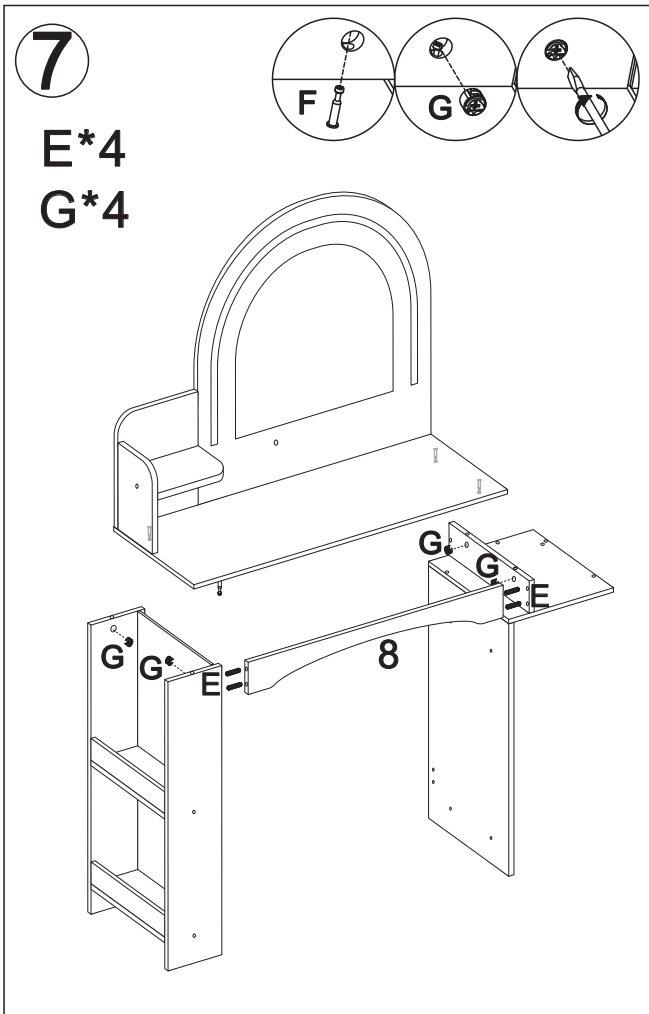
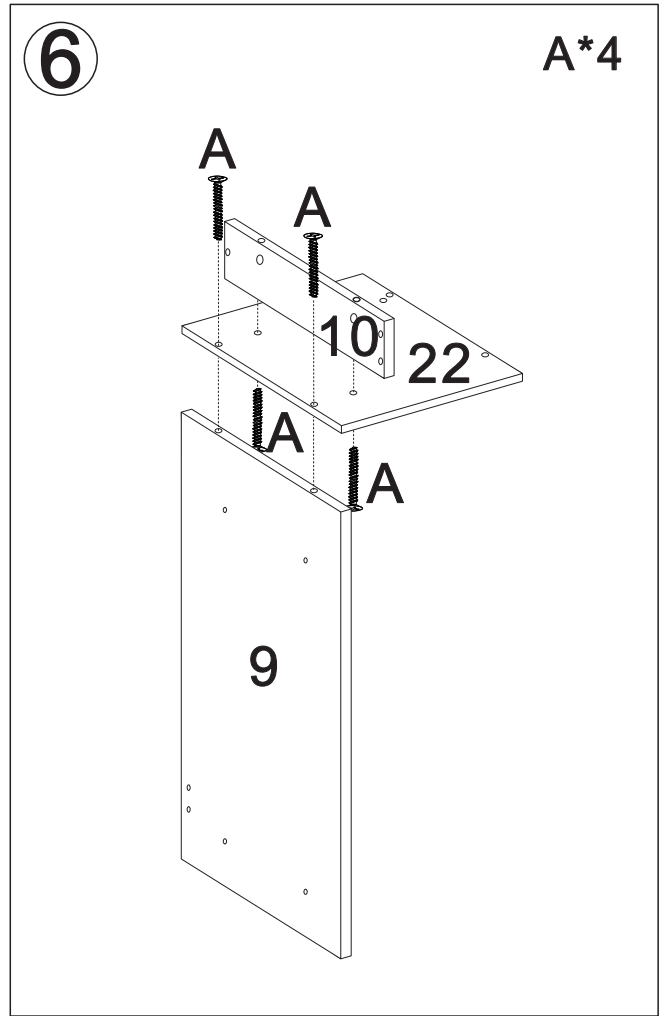
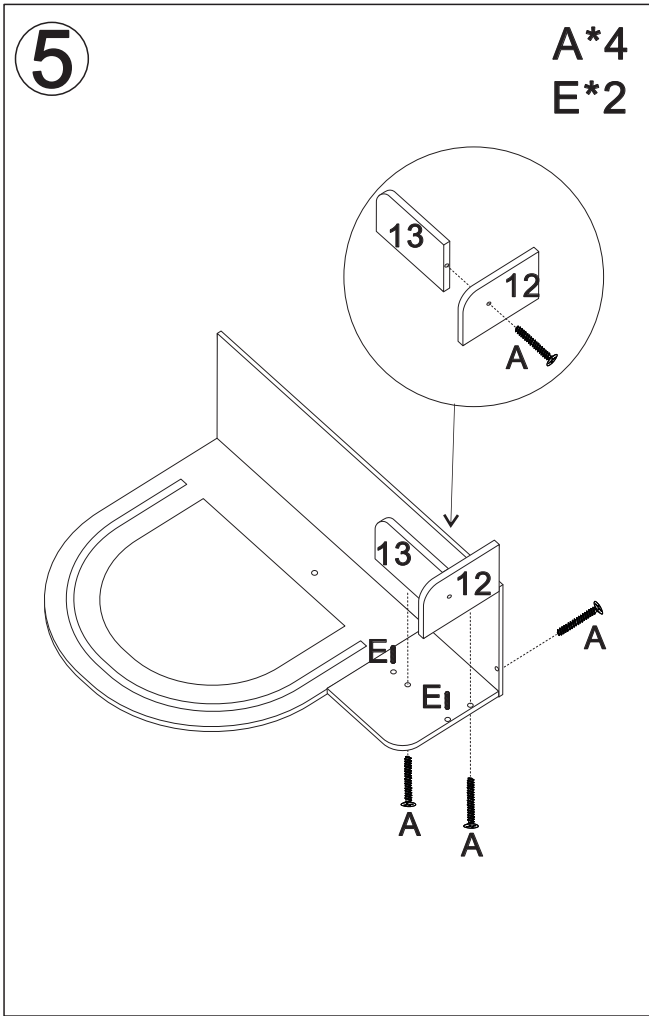


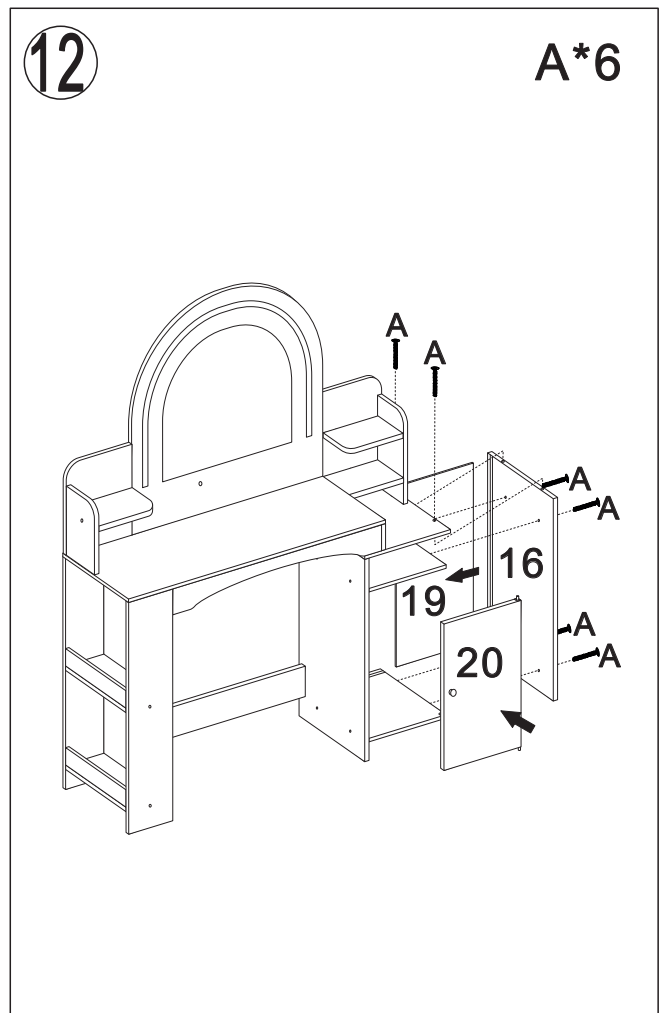
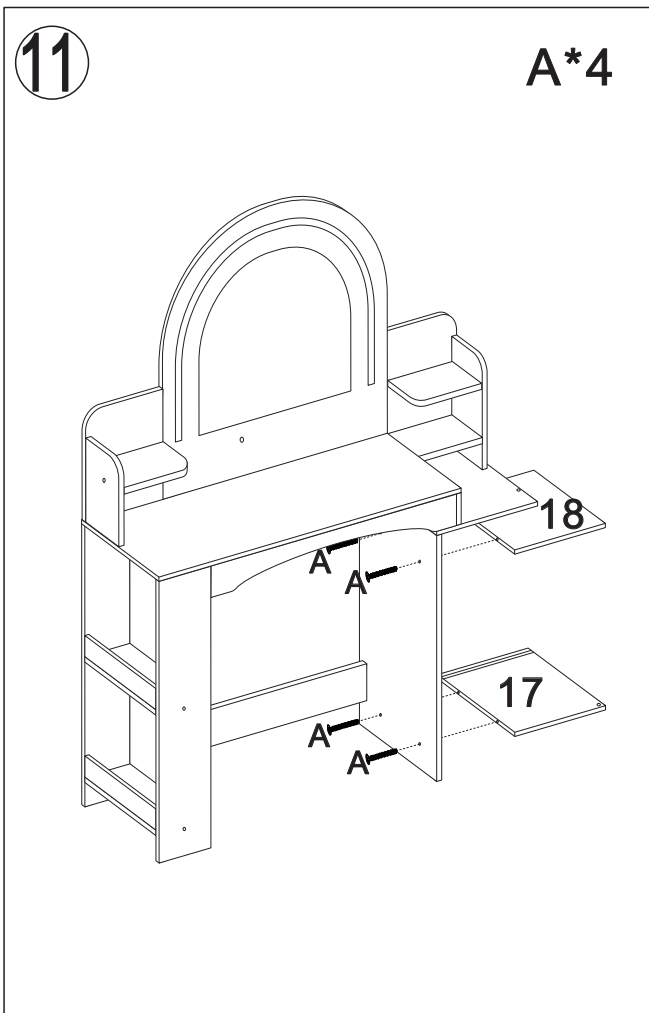
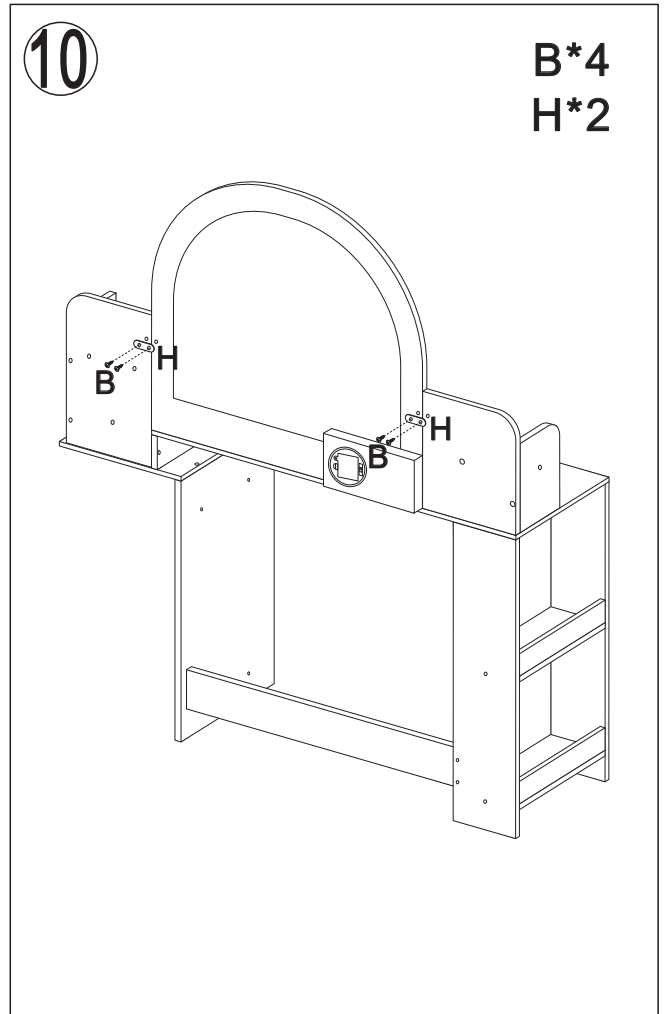
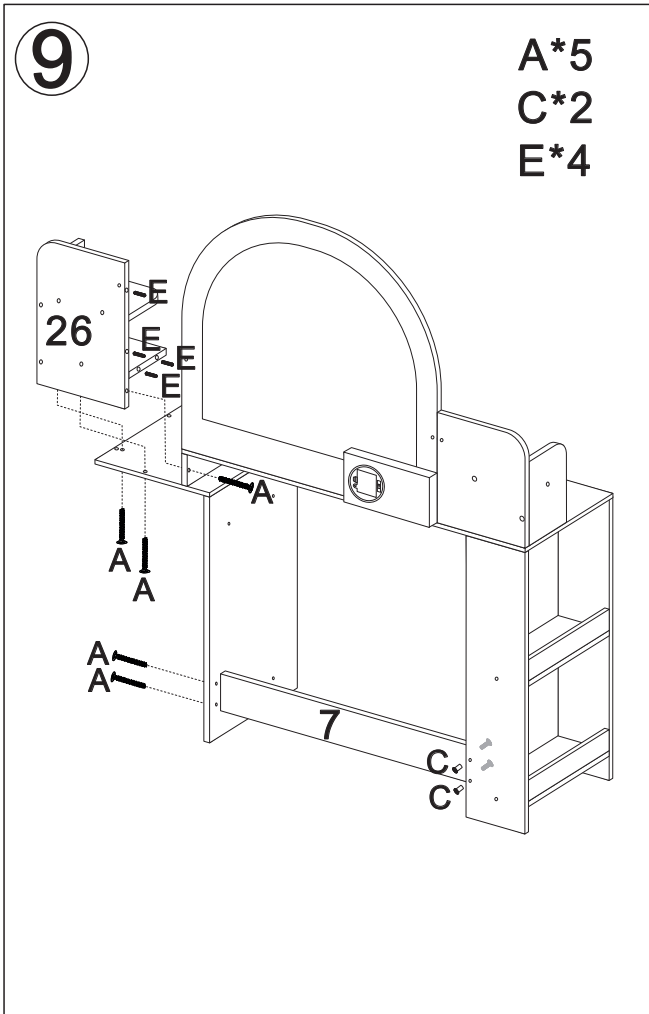
- Non-rechargeable batteries are not to be recharged;
- Different types of batteries or new and used batteries are not to be mixed;



- Batteries are to be inserted with the correct polarity (+ and –);
- Exhausted batteries are to be removed from the toy;
- The supply terminals are not to be short-circuited.
- Do not mix alkaline, standard(carbon-zinc) or rechargeable (nickel-cadmium) batteries.
- Do not mix old and new batteries.

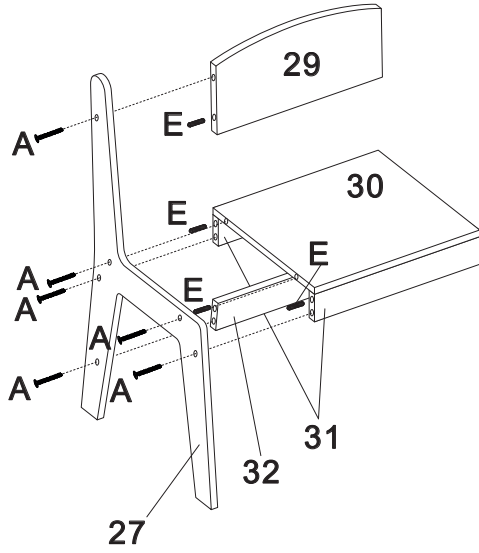






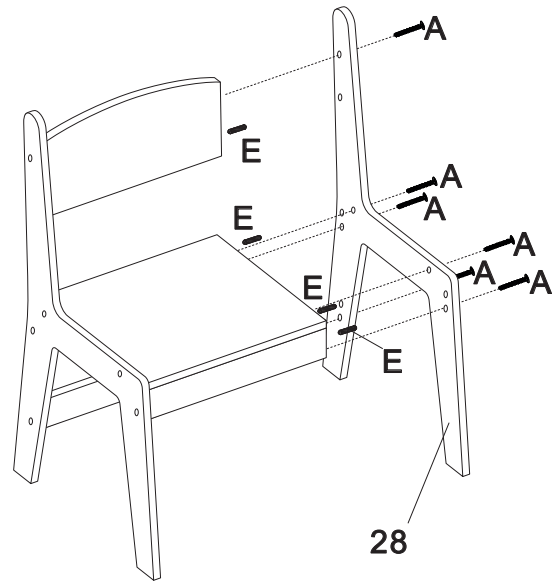
13

A*6
E*4



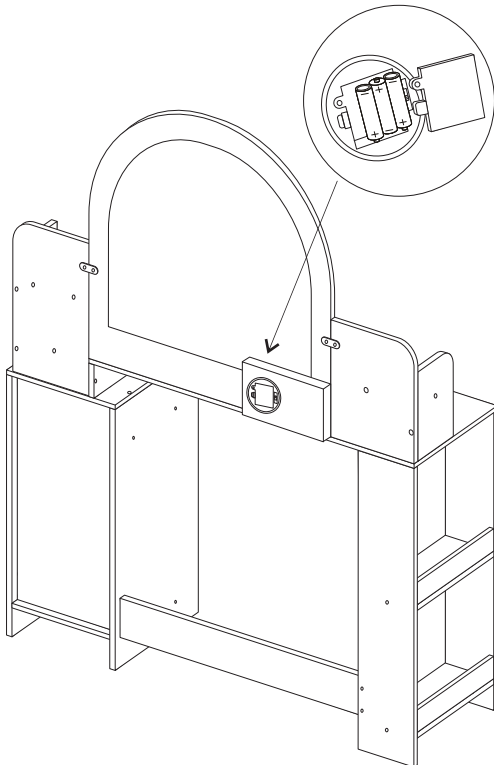
14

A*6
E*4

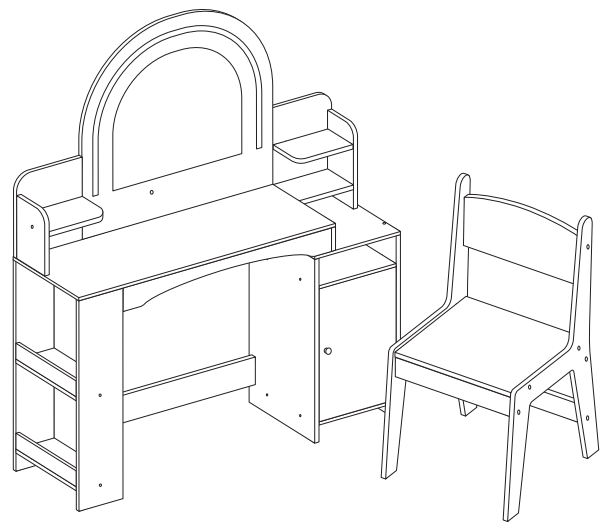


15

⚠ Note: 3 AA batteries (not included).



16



AFTER-SALE SERVICE

If you have any suggestions for our products or find that the products have quality problems, please contact us first, our after-sales team will reply you within 24 hours, and we will do our best to give you solutions until you are satisfied.

Guaranteed Customer Service

Your shopping experience is very important to us!
Feel unsatisfied? **Contact us!**
Have any questions? **Contact us!**

Wanna share your experience with our products?
Share your pictures with us.

Any suggestions? **Contact us!**
We gotcha back!