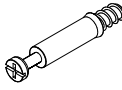
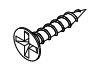

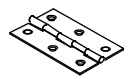
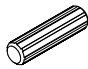
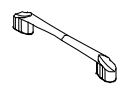



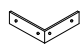
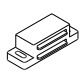
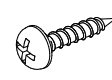

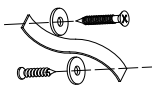
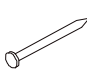


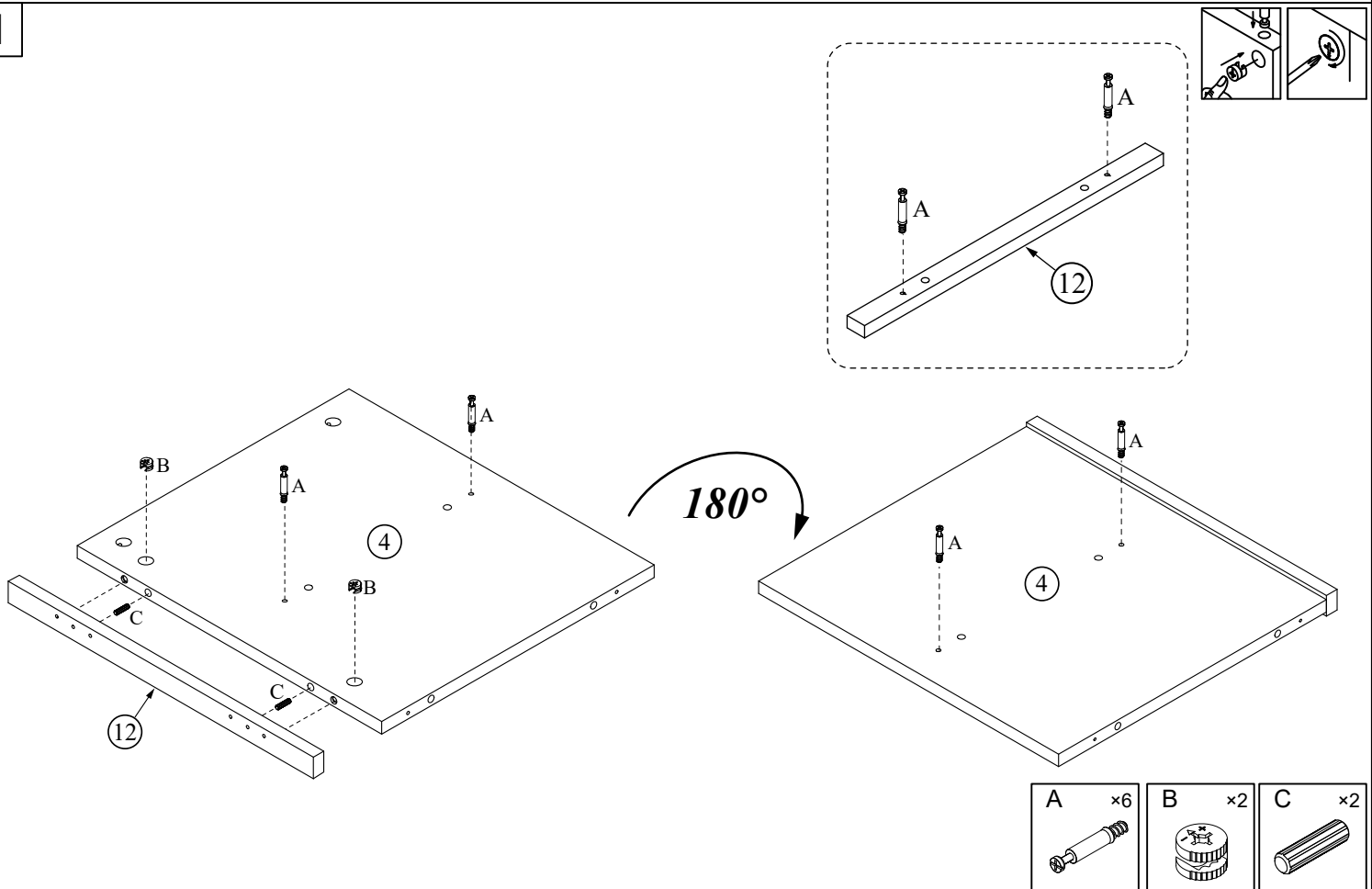
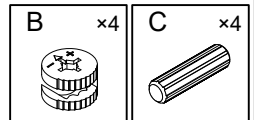
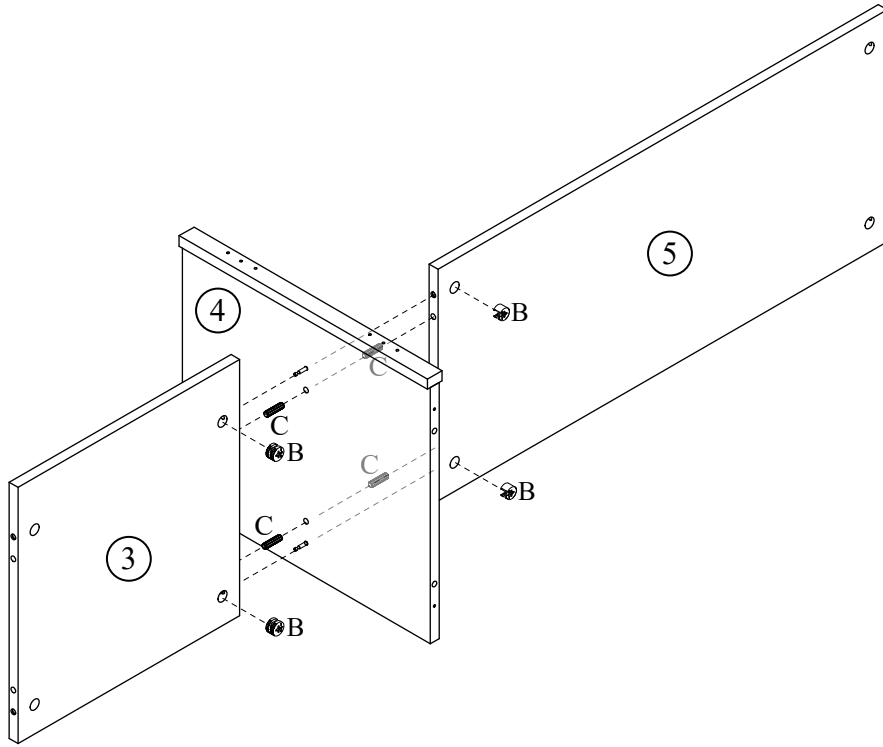
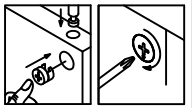


A	 $\Phi 6 \times 35$	36PCS	J	 $\Phi 3 \times 12$	26PCS
B	 $\Phi 15 \times 10$	36PCS	K		4PCS
C	 $\Phi 6 \times 30$	34PCS	L		2PCS
D	 $\Phi 4 \times 35$	6PCS	M	 $\Phi 4 \times 20$	4PCS
E	 $\Phi 3 \times 14$	2PCS	N		2PCS
F		1PC	O	 $\Phi 3 \times 12$	8PCS
G		2PCS	P		2PCS
H	 $\Phi 1.5 \times 16$	25PCS	Q		2PCS
I		3PCS			

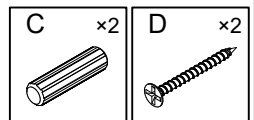
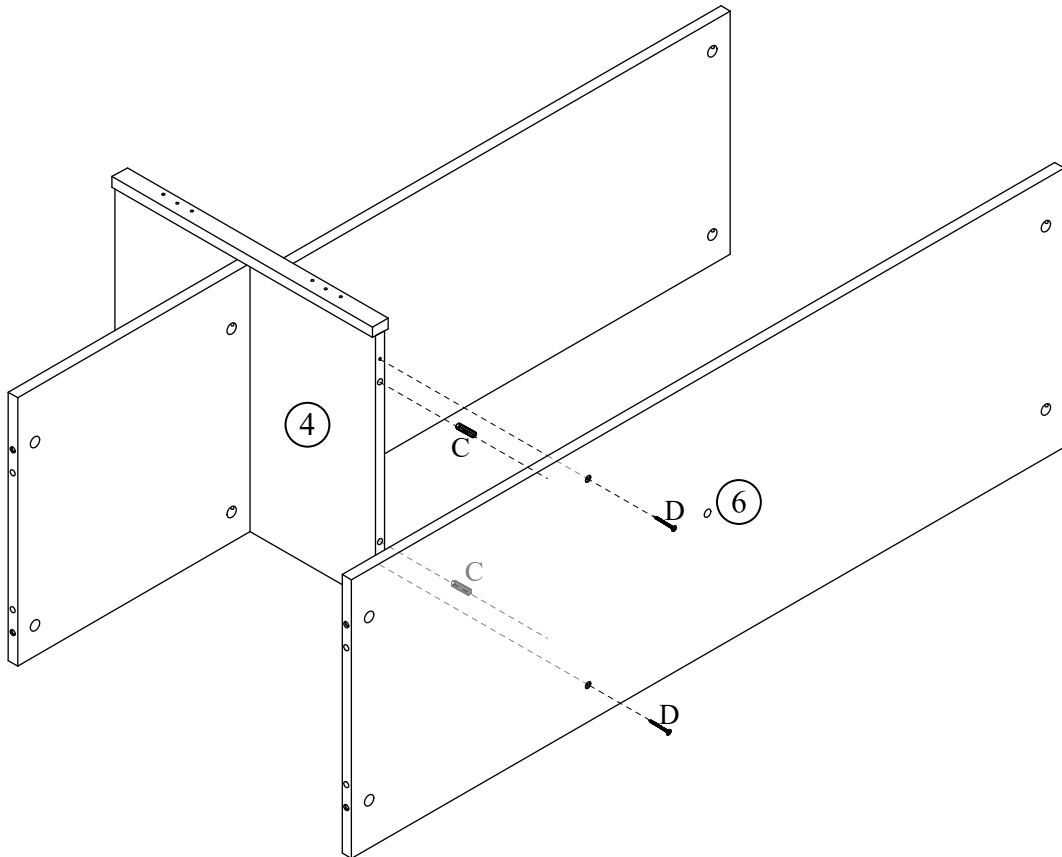
1



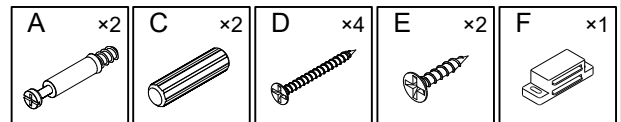
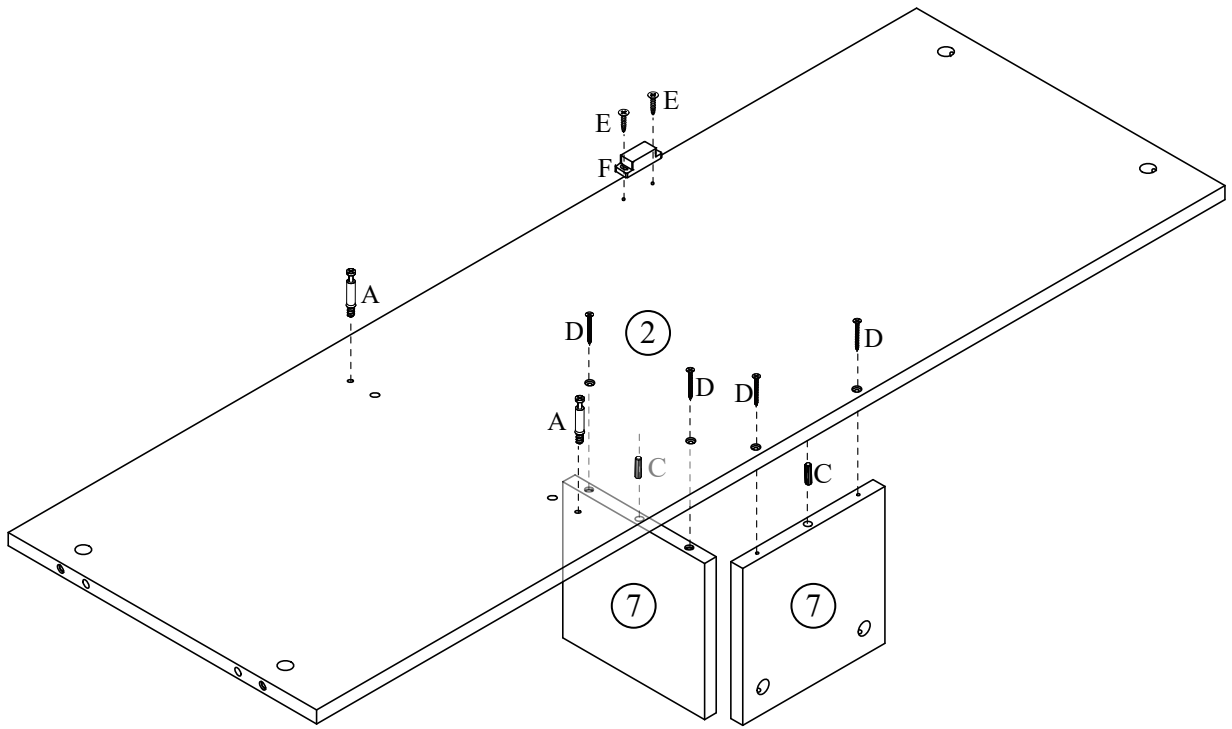
2



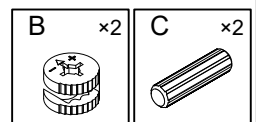
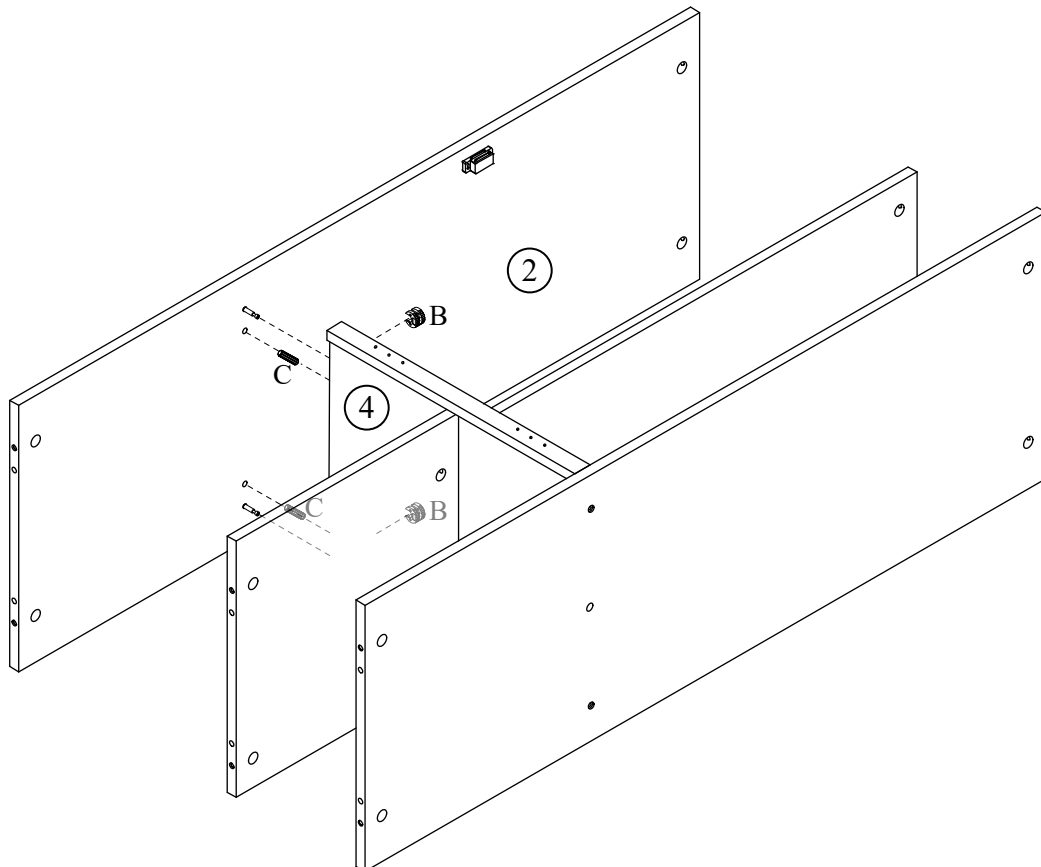
3

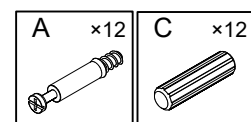
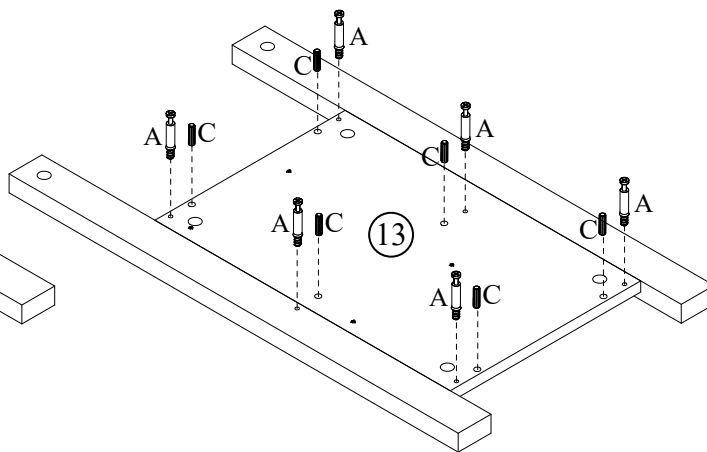
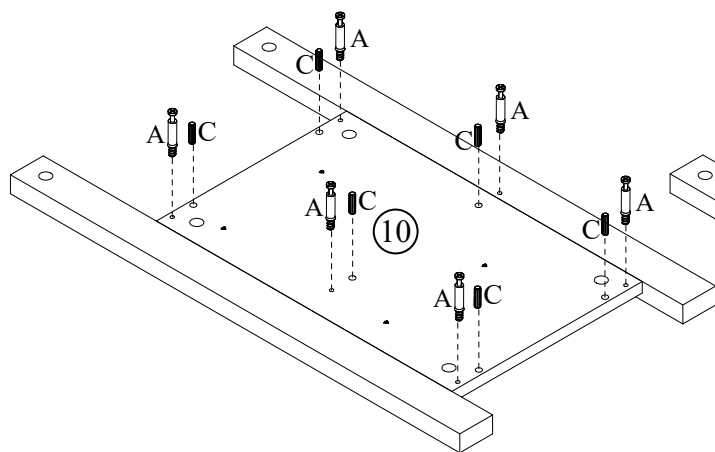
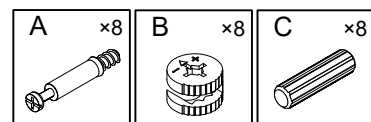
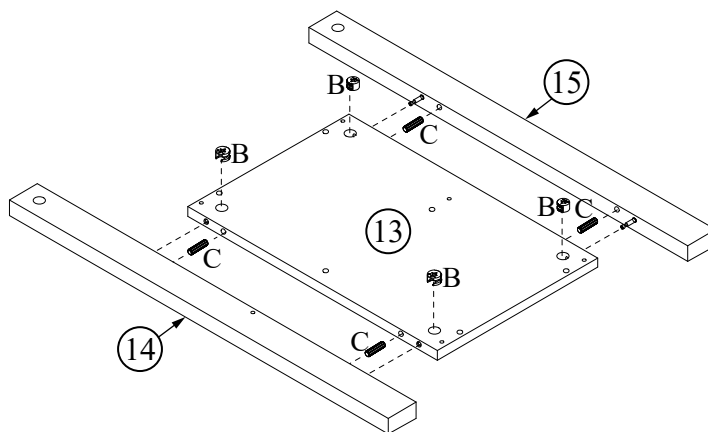
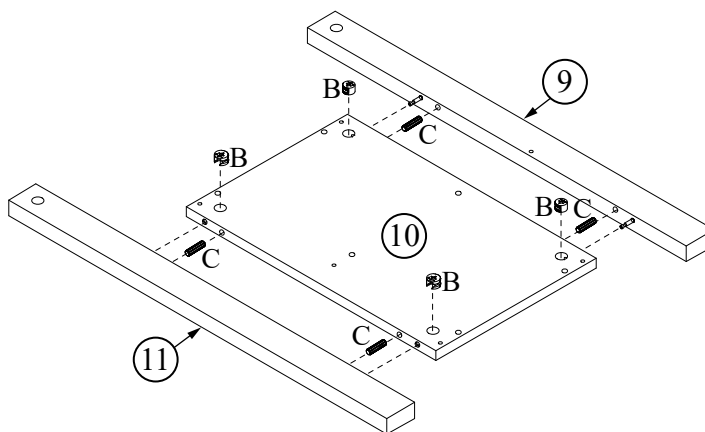
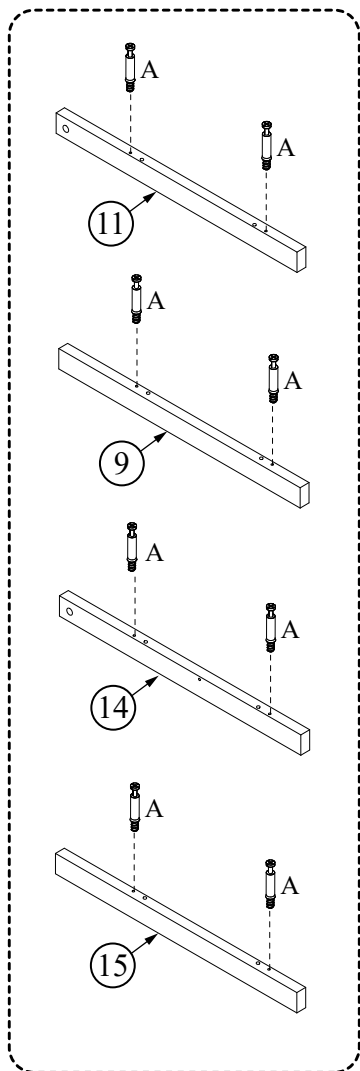
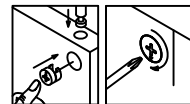


4

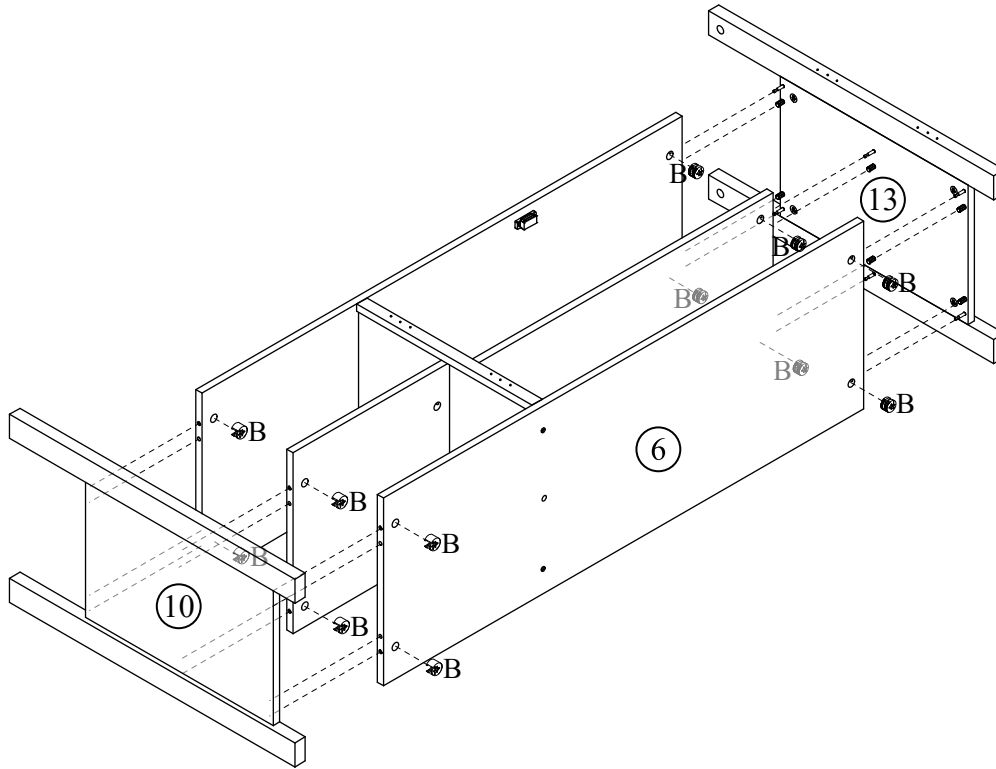
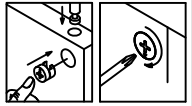


5





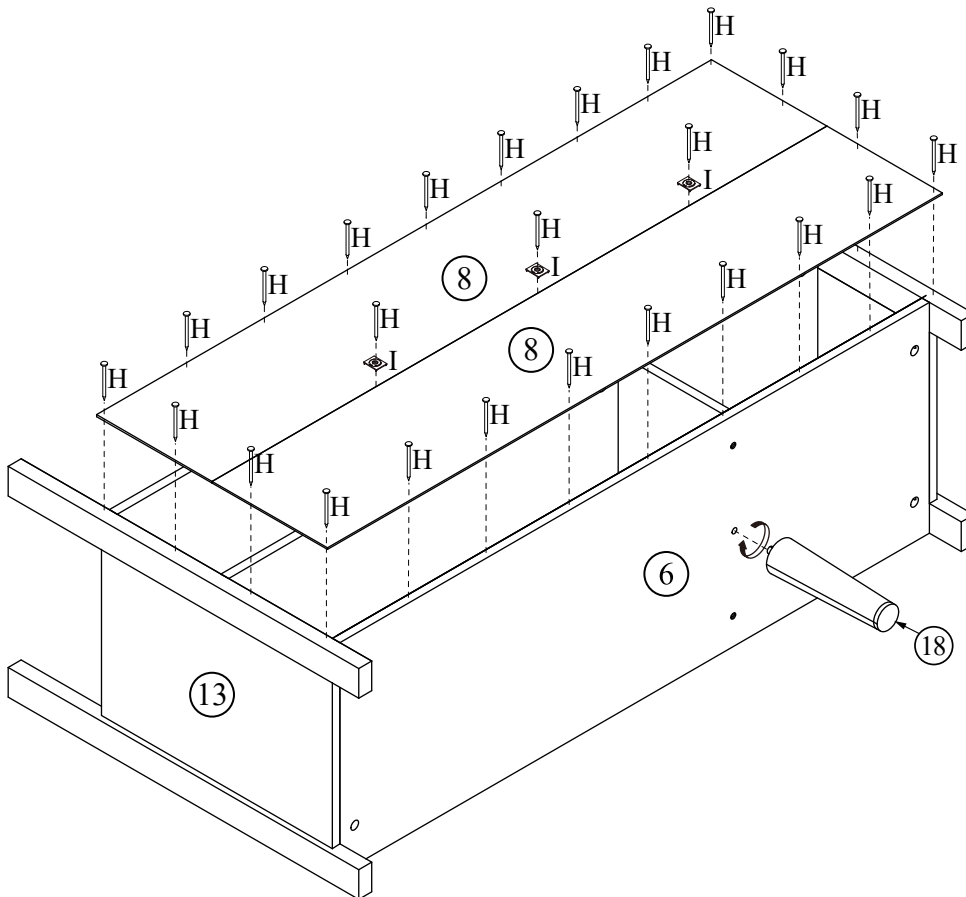
8



B x12

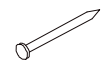


9

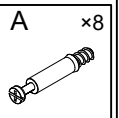
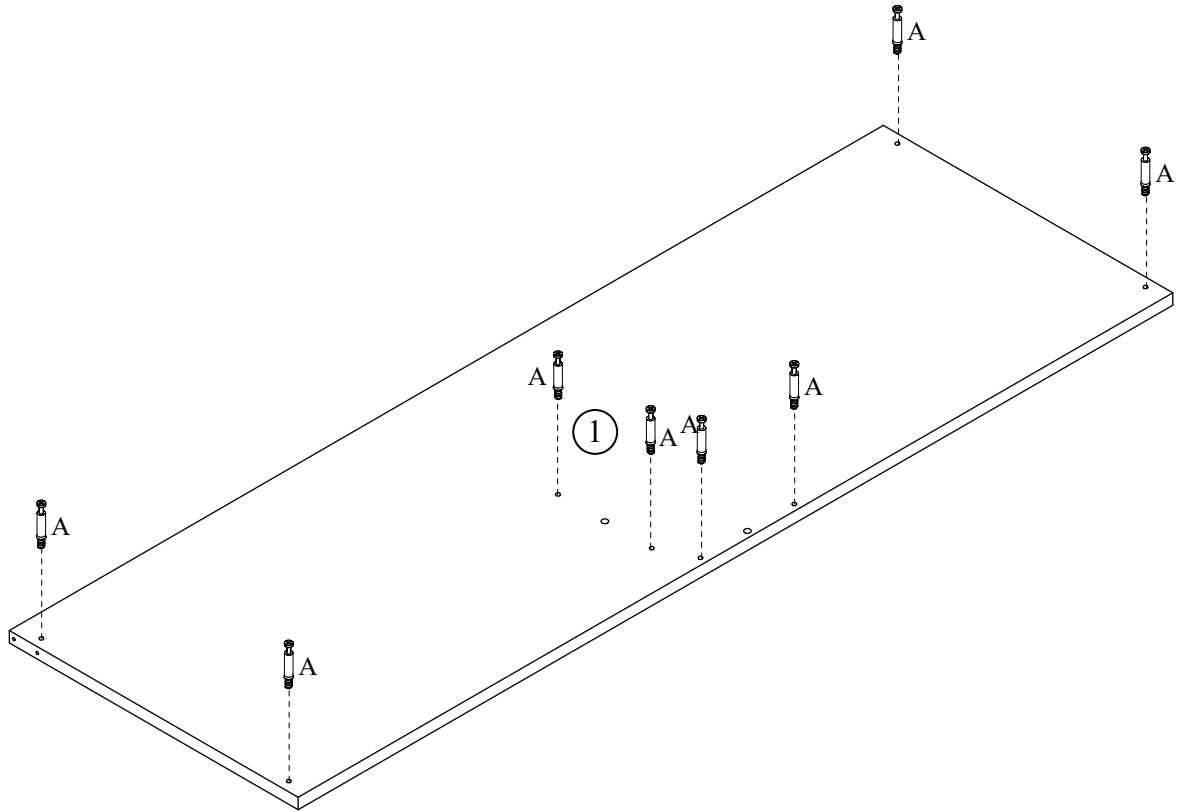


H x25

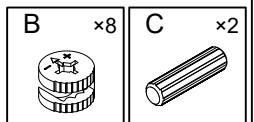
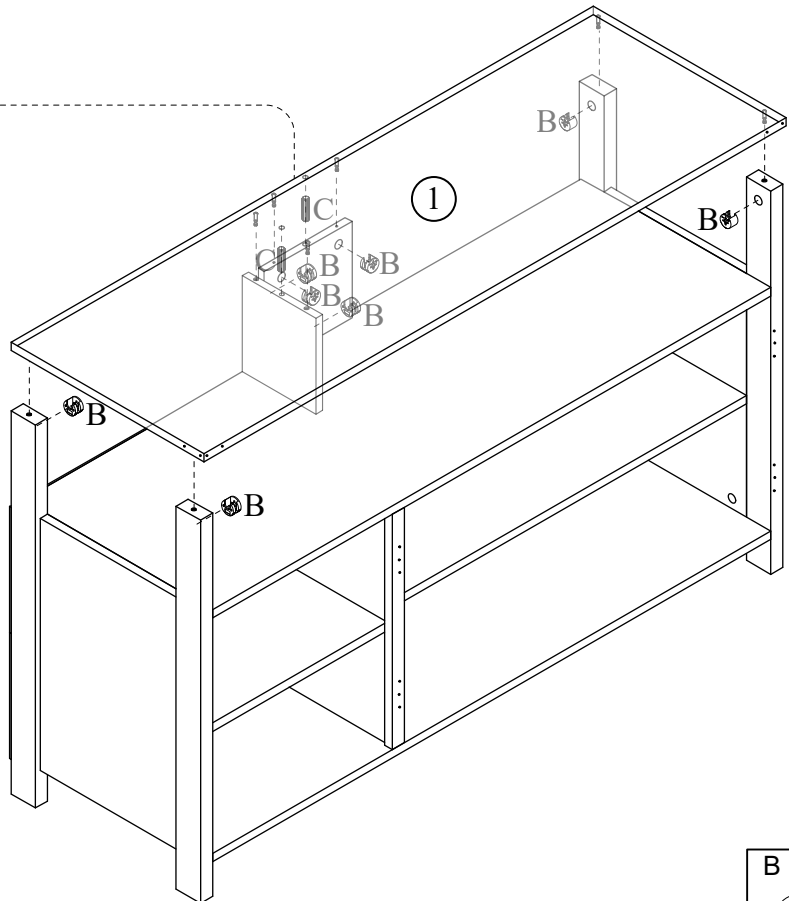
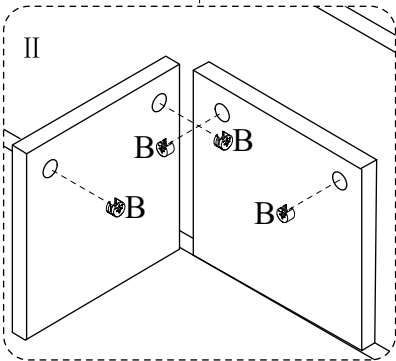
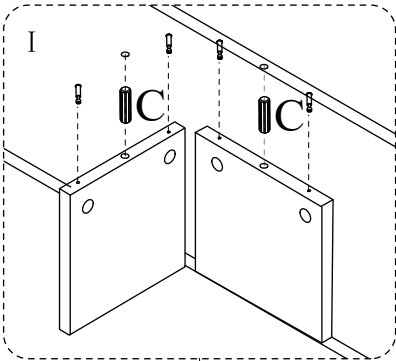
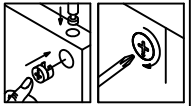
I x3



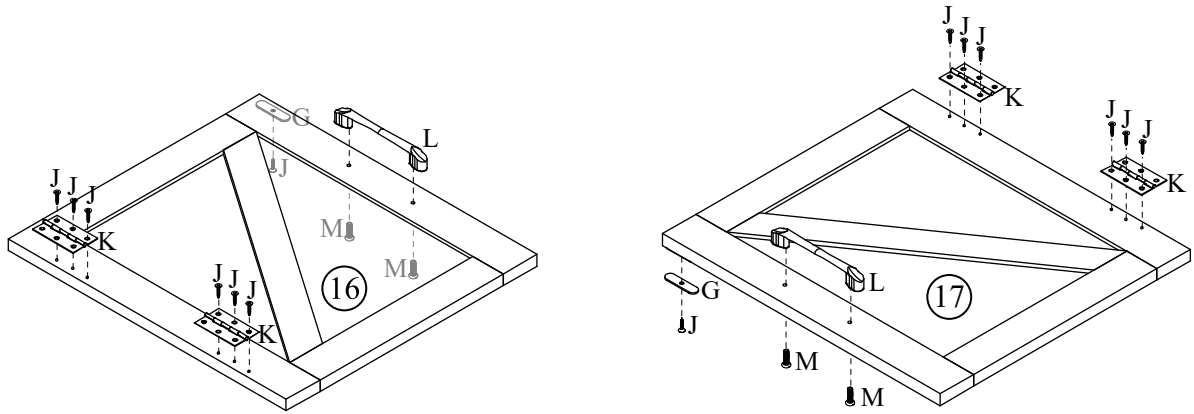
10



11

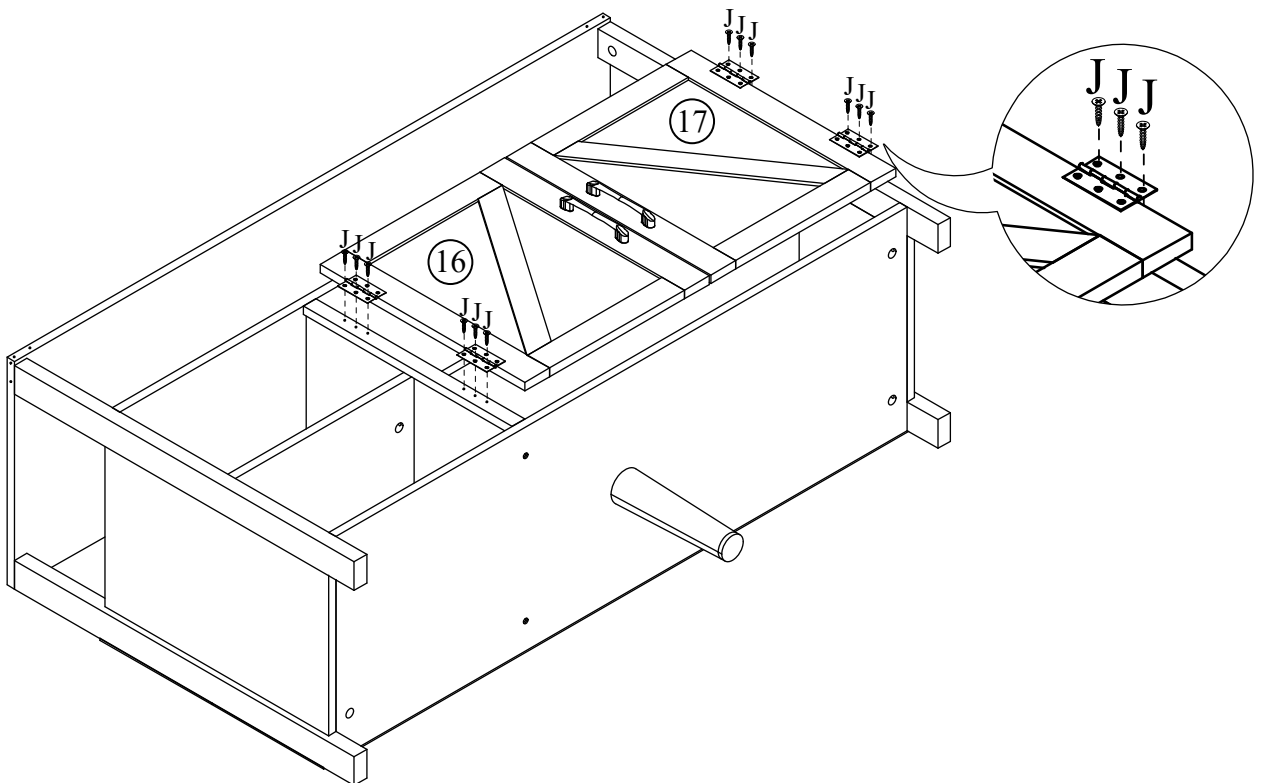


12

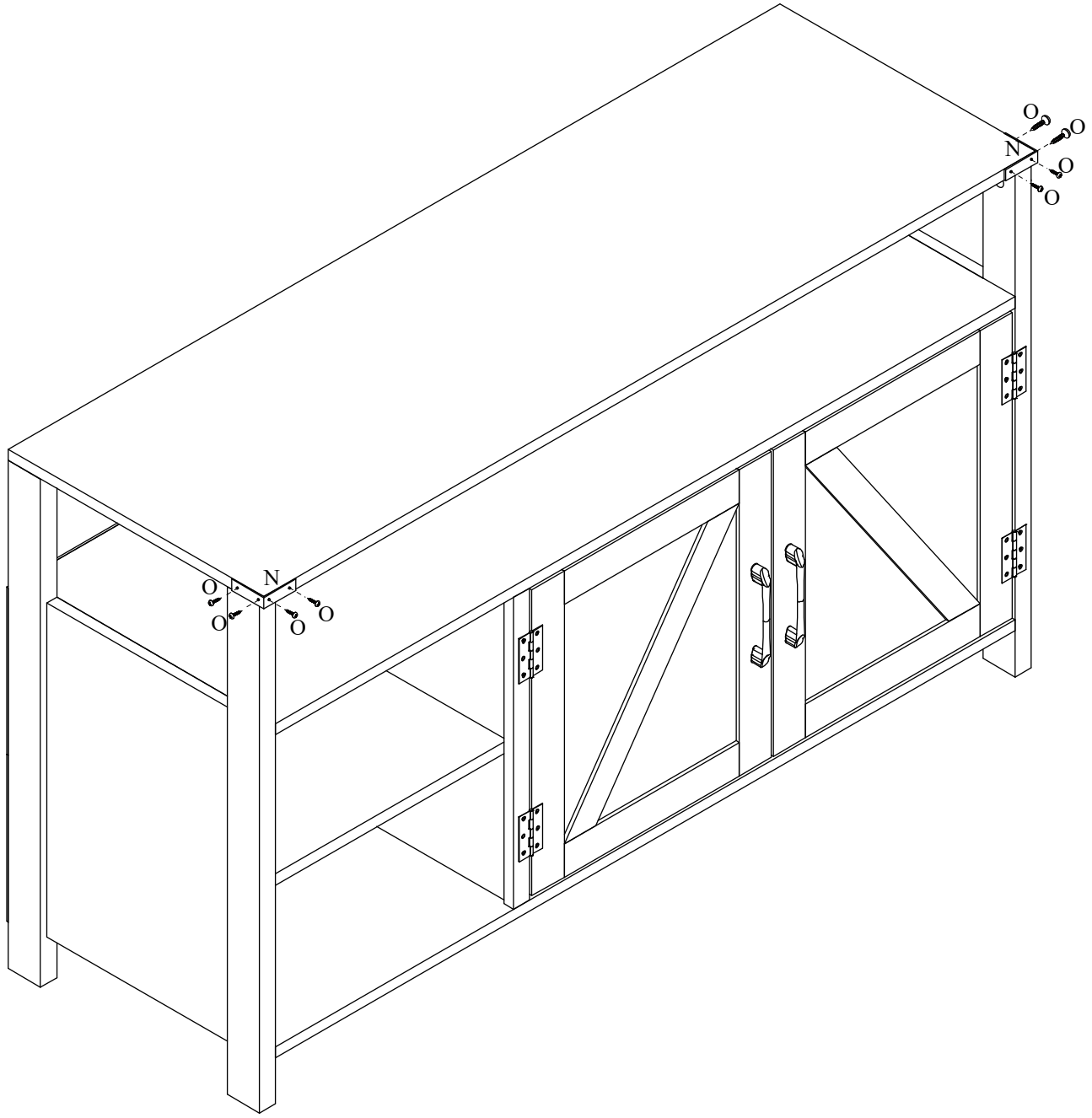


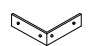

G	x2	J	x14	K	x4	L	x2	M	x4

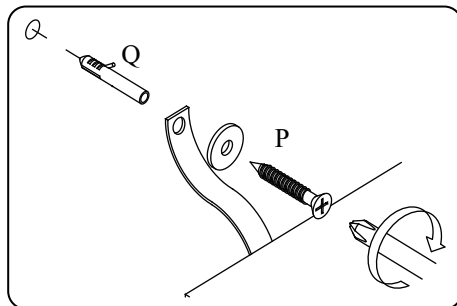
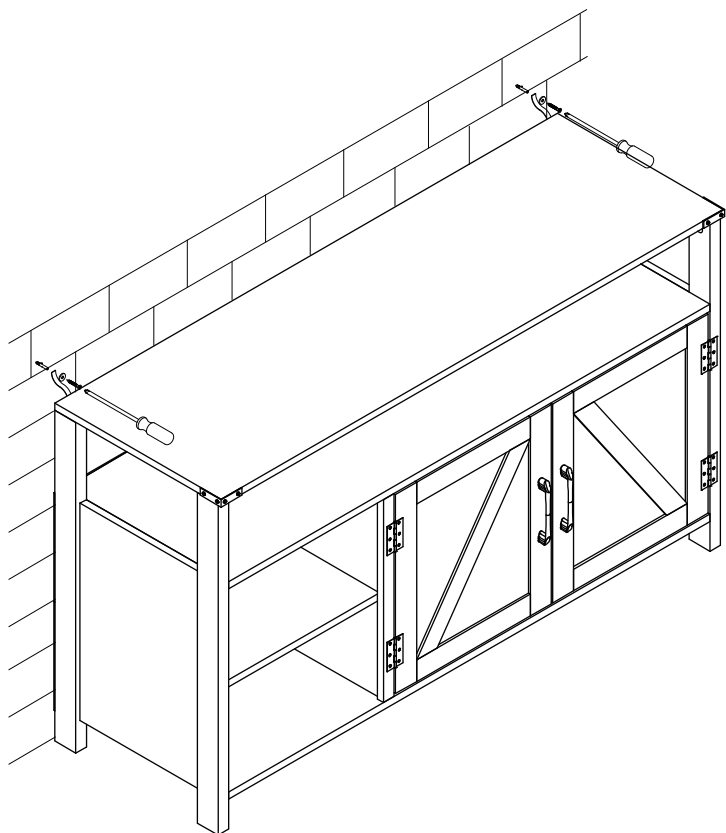
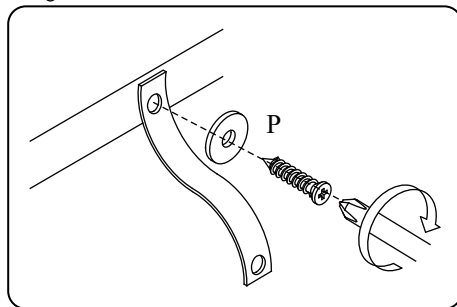
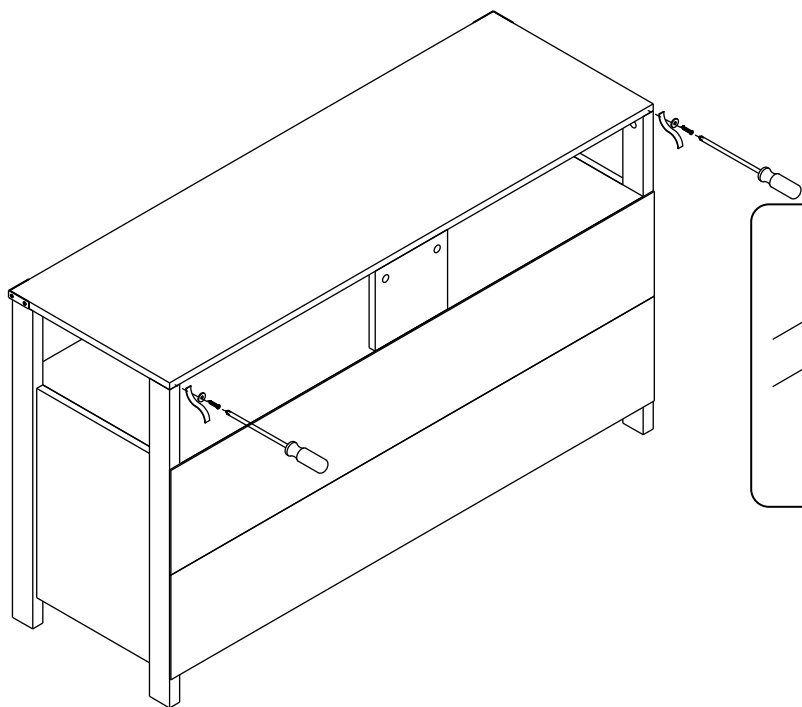
13



J	x12



N	x2	O	x8
			



P x2	Q x2
