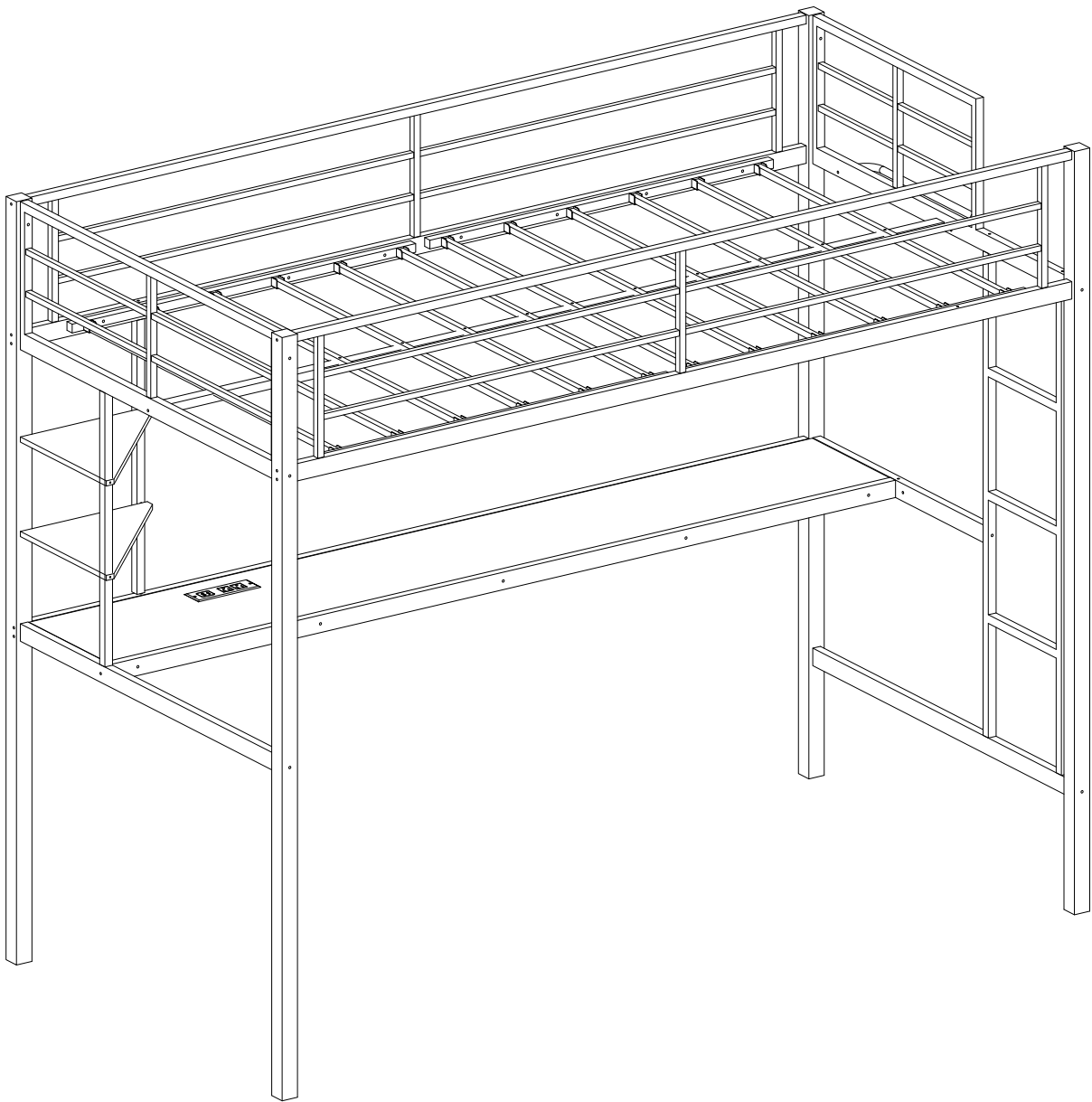


SKU: LX-TC90GBTX-HM-BL
SKU: LX-TC91GBF-HM-BL
SKU: LX-TC91GBF-HM-WHT
SKU: LX-TC89GBT-HM-BL
SKU: LX-TC89GBT-HM-WHT

LOFT BED ASSEMBLY INSTRUCTIONS



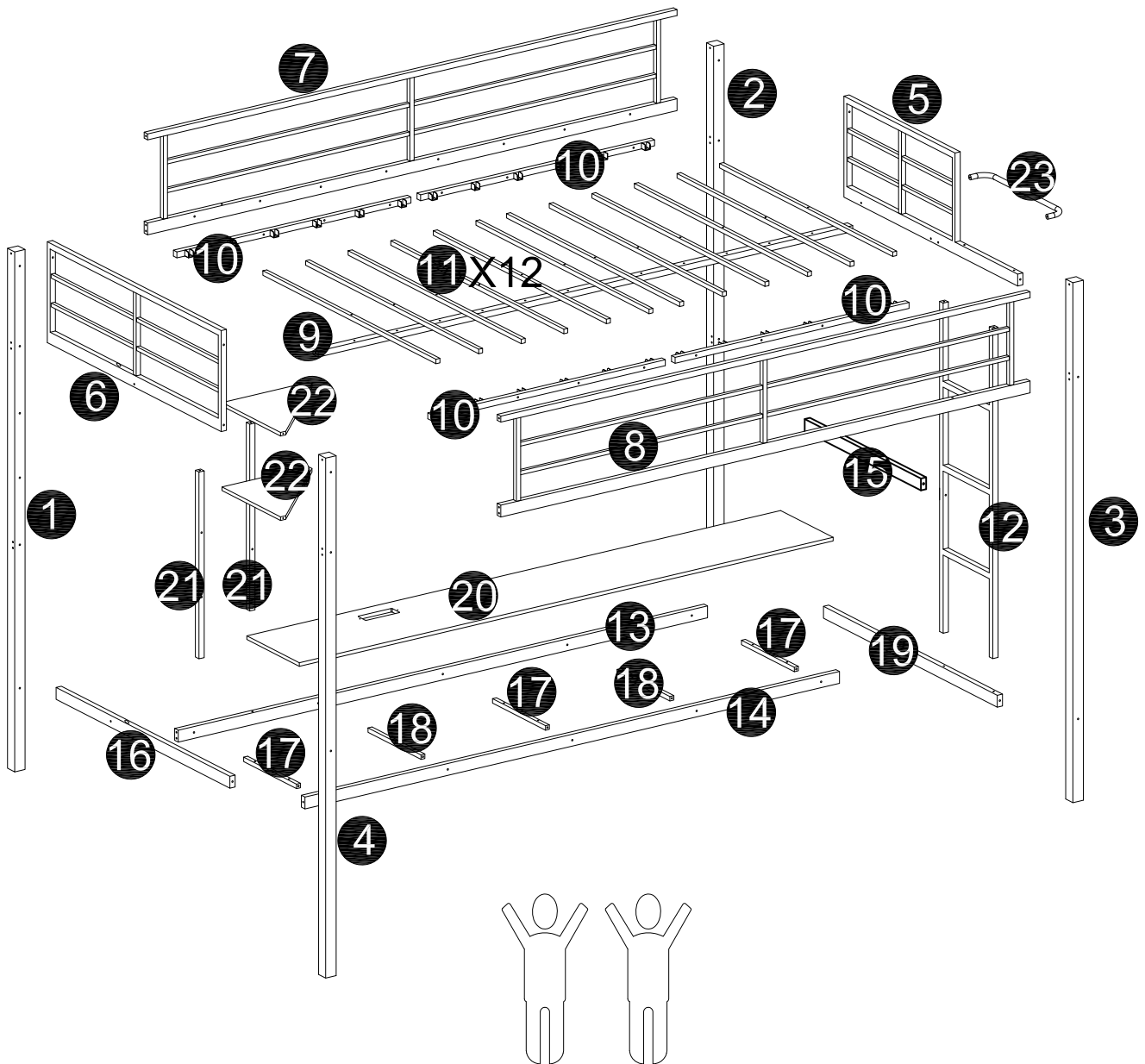
SAFETY WARNINGS AND GENERAL NOTES:

1. Follow the information on the warnings on the bunk bed end structure and on the carton. Do not remove the warning label from the bed.
2. Always use the recommended size mattress on mattress support, or both, to help prevent the likelihood of entrapment or falls.
3. Do not allow children under 6 years of age to use the upper bunk.
4. Periodically check and ensure the guardrail, ladder and other components are in their proper position, free from damage, and all connectors are tight.
5. Do not allow horseplay on or under beds.
6. Always prohibit jumping on the bed.
7. Prohibit more than one person on upper bunk.
8. Always use the ladder for entering and leaving the upper bunk.
9. Do not use substitute parts. Contact the manufacturer or dealer for replacement parts.
10. Use of a night-tight may provide added safety precaution for a child using the upper bunk.
11. Always use guardrails on both long sides of the upper bunk.
12. If the bunk bed will be placed next to a wall, the guardrail that runs the full length of the bed should be placed against the wall to prevent entrapment between the bed and the wall.
The use of water or sleep flotation mattresses is prohibited.
13. STRANGULATION HAZARD-Never attach or hang items to any part of the bunk bed that are not designed for use with the bed; for example, but not limited to, hooks, belts and jump ropes.
14. Keep these instructions for future reference.
15. We recommend assembling your bunk bed on the shipping carton to protect your floor or carpet.
16. Be certain all staples are out of the box before beginning assembly on the shipping carton.
17. USE ONLY MATTRESSES WHICH ARE AS THE TABLE BELOW ON UPPER AND ON LOWER BUNKS.
Up bed (bunk bed and tribed included)

Mattress size	Length	Width	Thickness
Twin xl Standard	79"-80"	38"-39"	6" max

18. SURFACE OF MATTRESS MUST BE AT LEAST 5"(127MM) BELOW THE UPPER EDGE OF GUARDRAILS.
19. Replacement Parts:
Replacement Parts, including additional guardrails, may be obtained from any of our dealers.

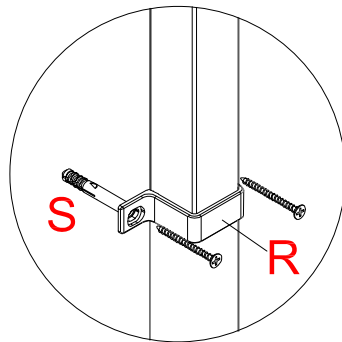
Explosion diagram



Recommended to be assembled by 2 people!!

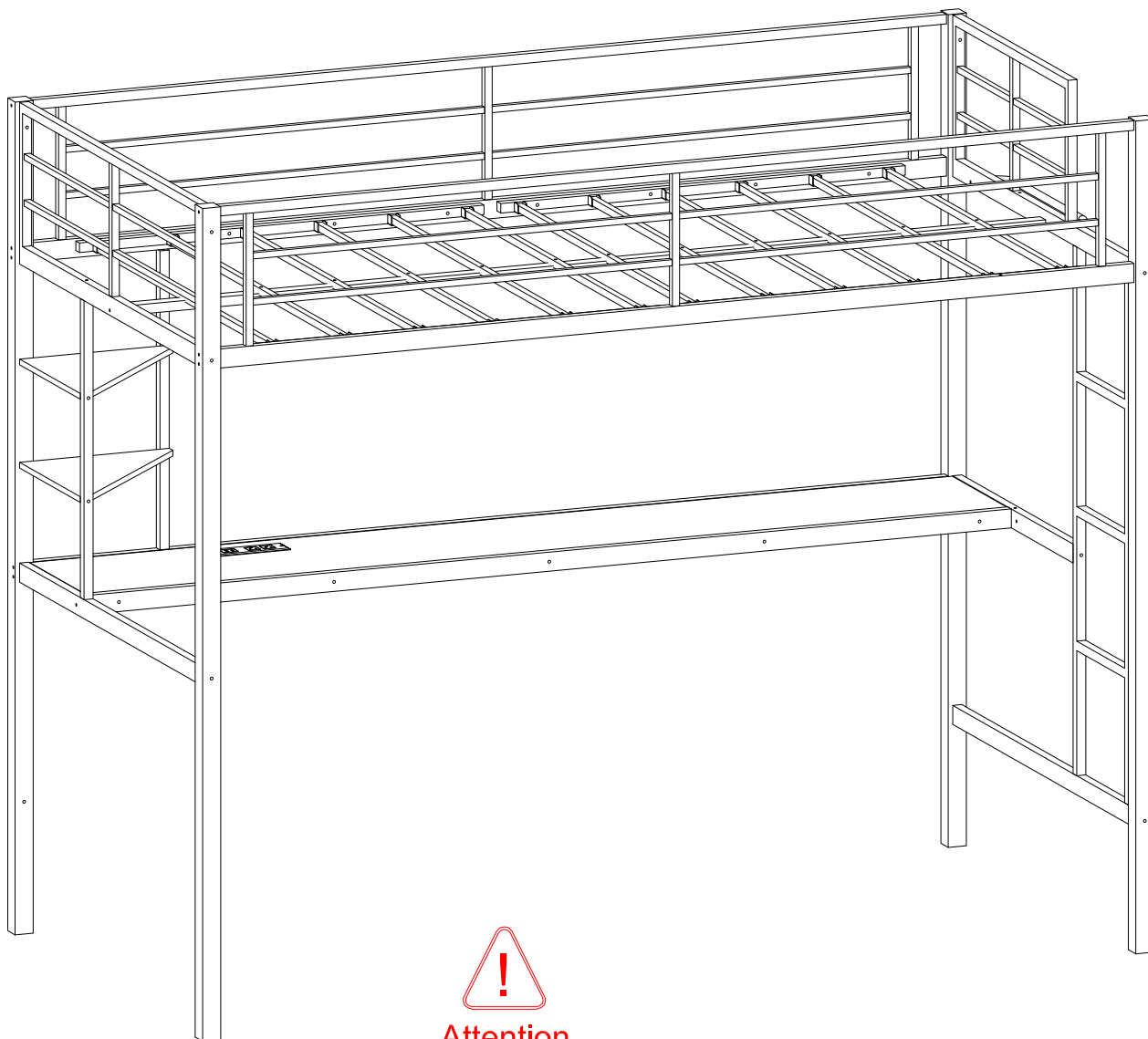
STEP 12

Completed loft bed



Tips:





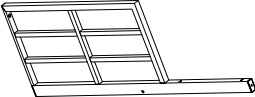
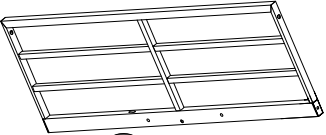
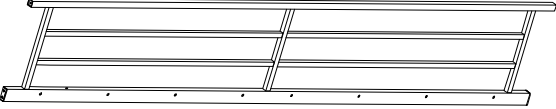
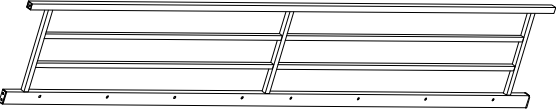


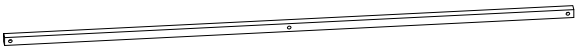
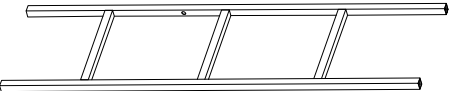
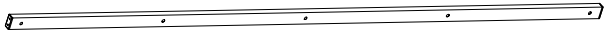
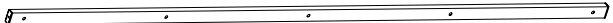
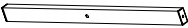






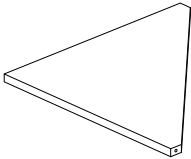
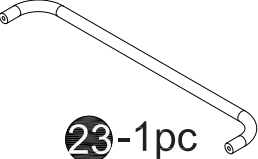
If you feel that the bed is a little wobbly then please use the parts "S" and "R" for reinforcement






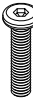
Attention

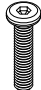



Please tighten all screws before use, thank you.
It is prohibited to step on the bed without placing the mattress.


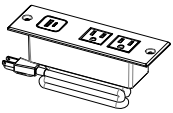
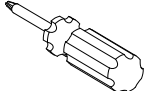


PARTS LIST

					
1 -1pc	2 -1pc	3 -1pc	4 -1pc	5 -1pc	6 -1pc
					
				7 -1pc	
					
				8 -1pc	
					
9 -1pc				10 -4pcs	
					
11 -12pcs				12 -1pc	
					
13 -1pc				14 -1pc	
					
15 -1pc	16 -1pc	17 -3pcs	18 -2pcs		
					
19 -1pc				20 -1pc	
					
21 -2pcs					
					
22 -2pcs				23 -1pc	

HARDWARE LIST

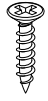
A	B	C	D
			
Gloves	Ø8*60mm	Ø8*45mm	Ø8*30mm
2 pcs	33 pcs	10 pcs	12 pcs

E	F	G	H
			
Ø6*35mm	Ø6*10mm	Ø6*23mm	8*12
10 pcs	24 pcs	22 pcs	15 pcs

I	J	K	L	M
				
Ø7*M3.5*12mm	Socket		M5	M4
2 pcs	1 pc	1 pc	2 pcs	1 pc

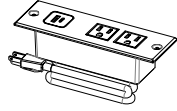
N	O	Q	R	S
				
M7*50mm	M7*70mm	Light strips		
4 pcs	2 pcs	1 set	2 pcs	4 pcs

STEP 11

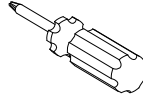


Ø7*M3.5*12mm

I -2pcs



J -1pc

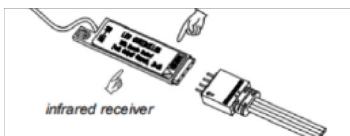
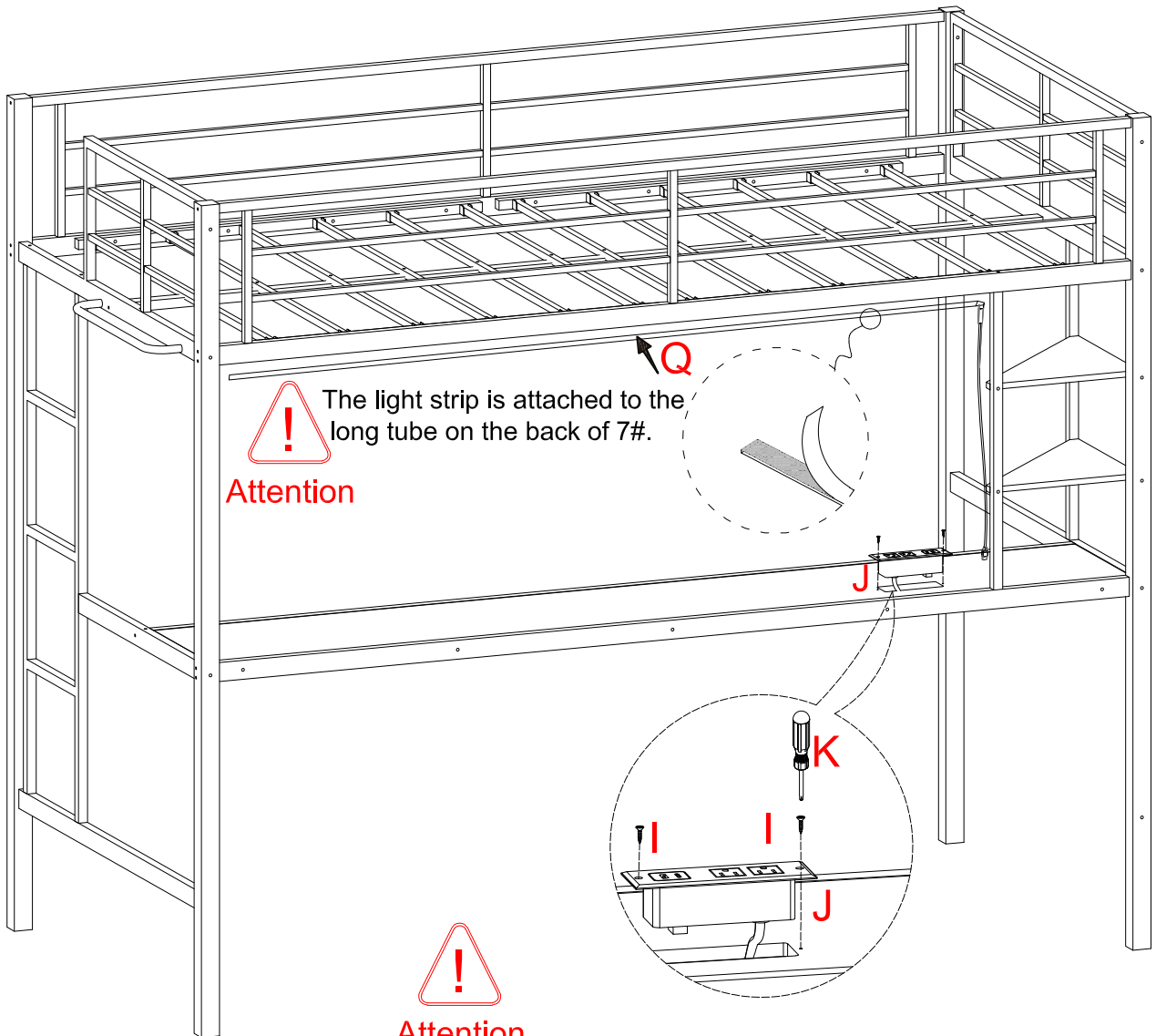


K



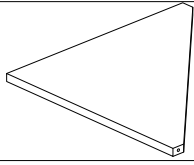
Light strips

Q -1set



Don't plug it in the wrong way, or the light won't work and when operating the remote control should be aligned with the infrared receiver.

STEP 10



22-2pcs



M7*50mm

N-4pcs



M7*70mm

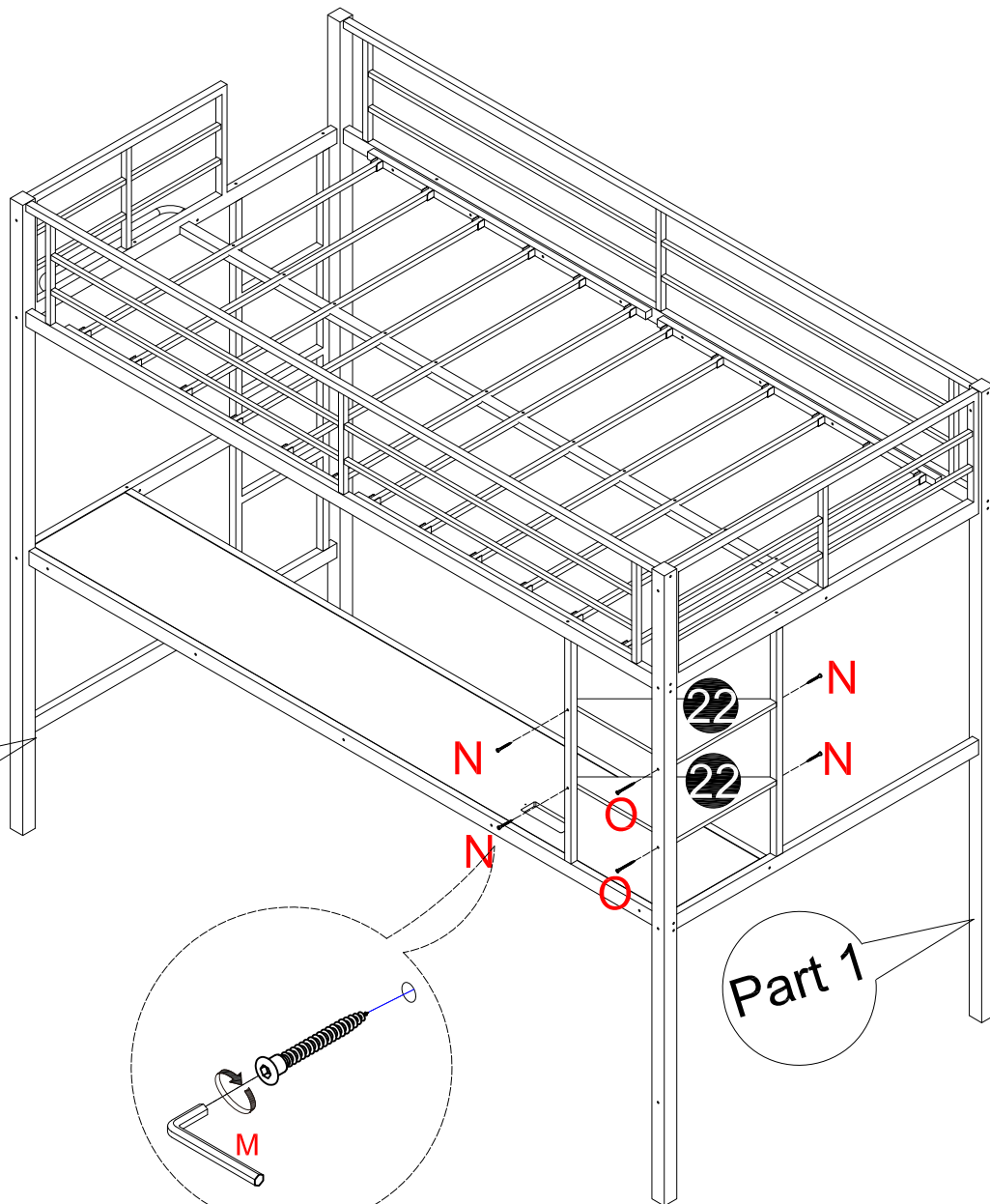
O-2pcs



M4

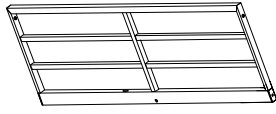
M

Part 2



Part 1

STEP 1



6-1pc



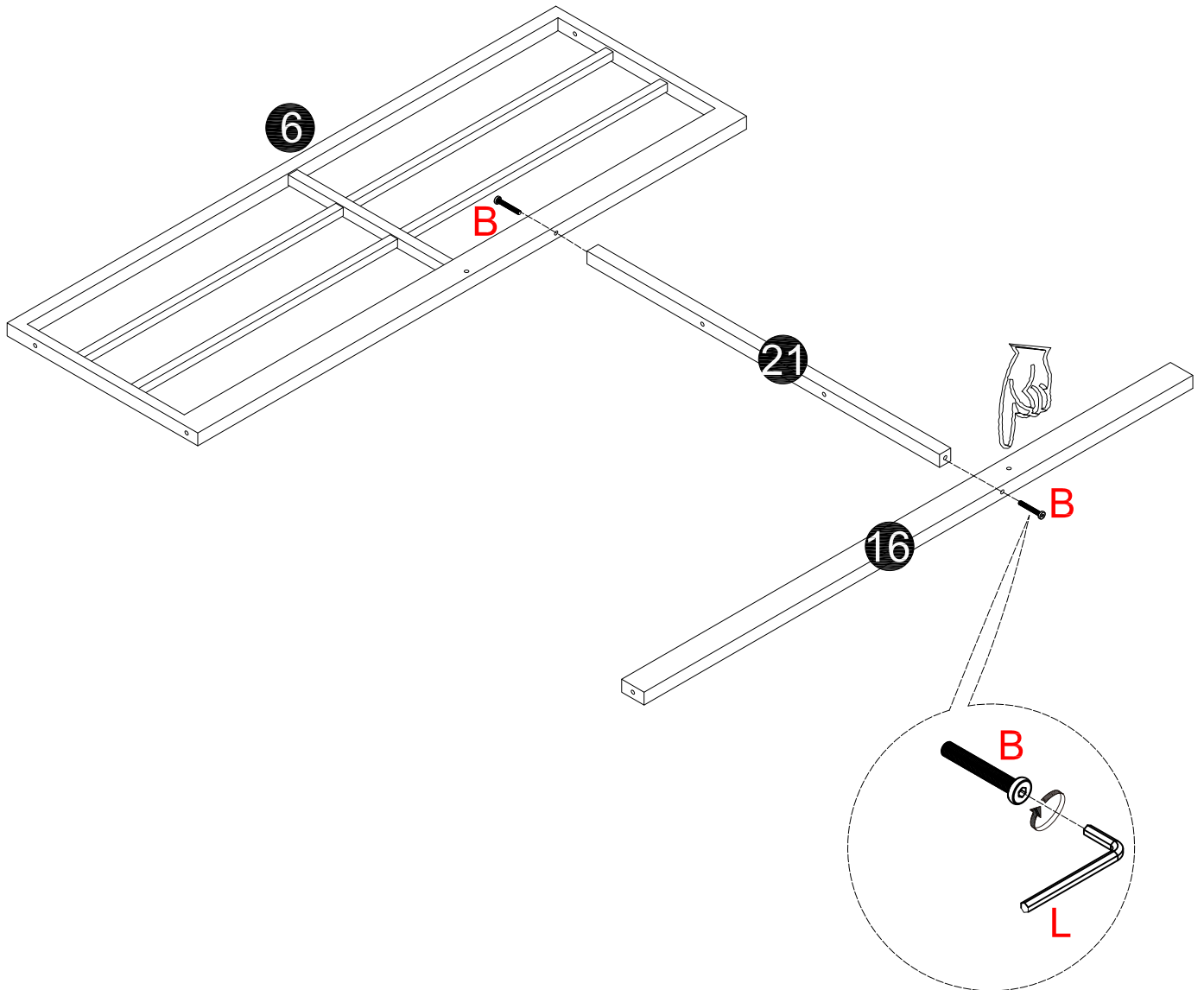
16-1pc



21-1pc


Ø8*60mm
B-2pcs

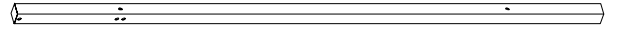

M5
L



STEP 2



1 -1pc



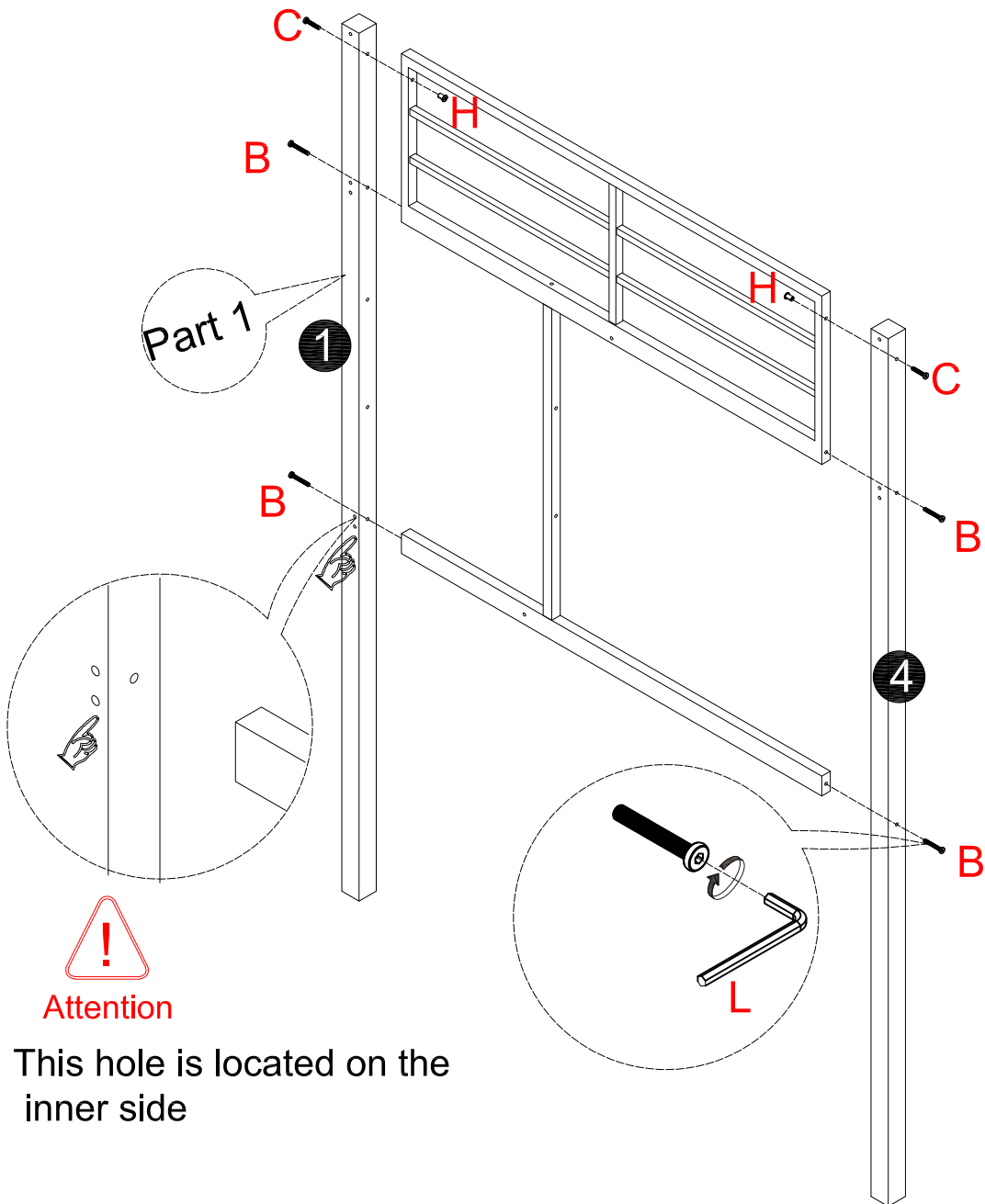
4 -1pc

Ø8*60mm
B-4pcs

Ø8*45mm
C-2pcs

Ø8*12mm
H-2pcs

M5
L




Attention

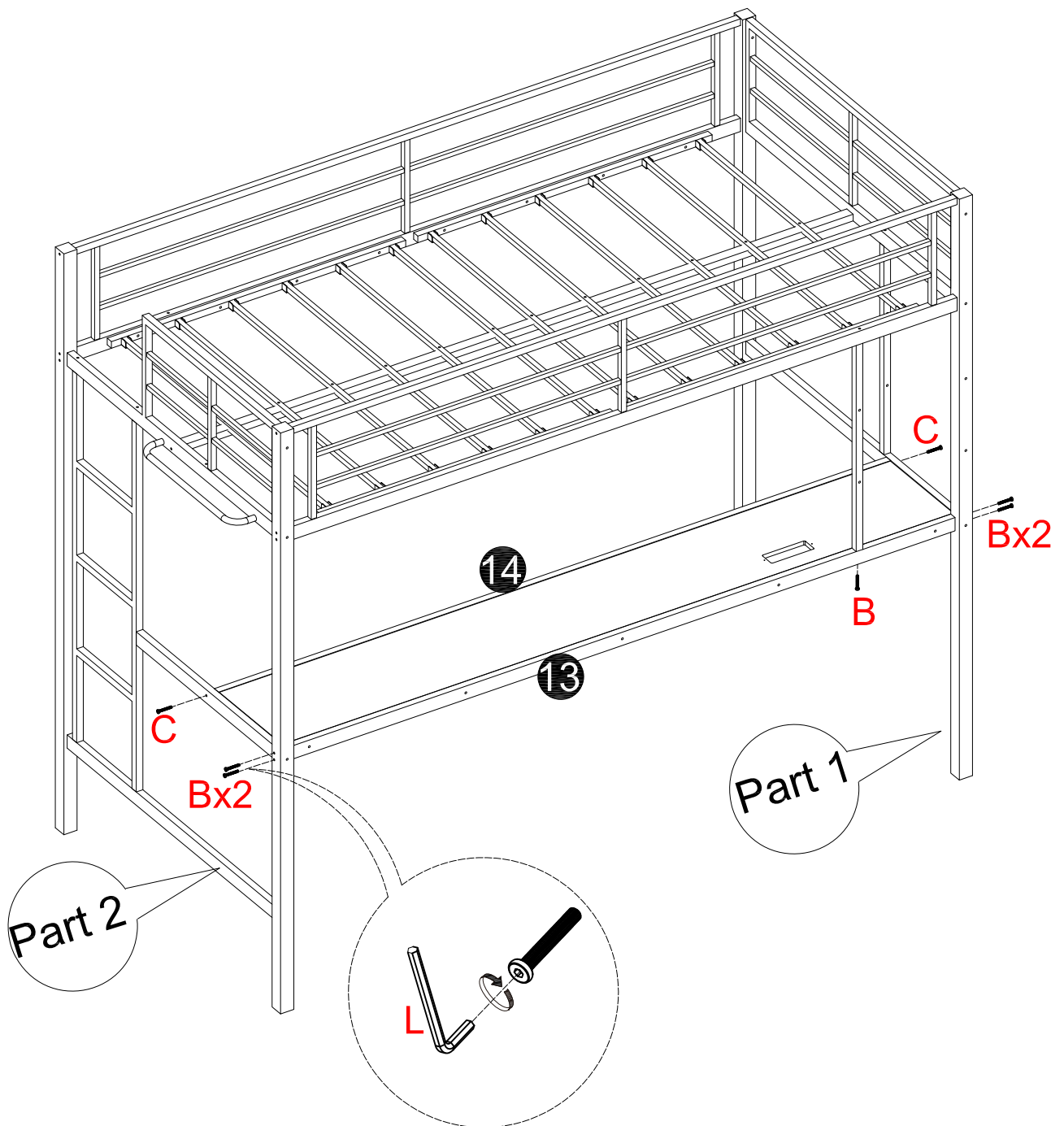
This hole is located on the inner side

STEP 9


Ø8*60mm
B -5pcs


Ø8*45mm
C -2pcs

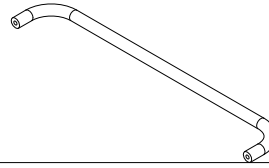

M5
L



STEP 8



21-1pc



23-1pc



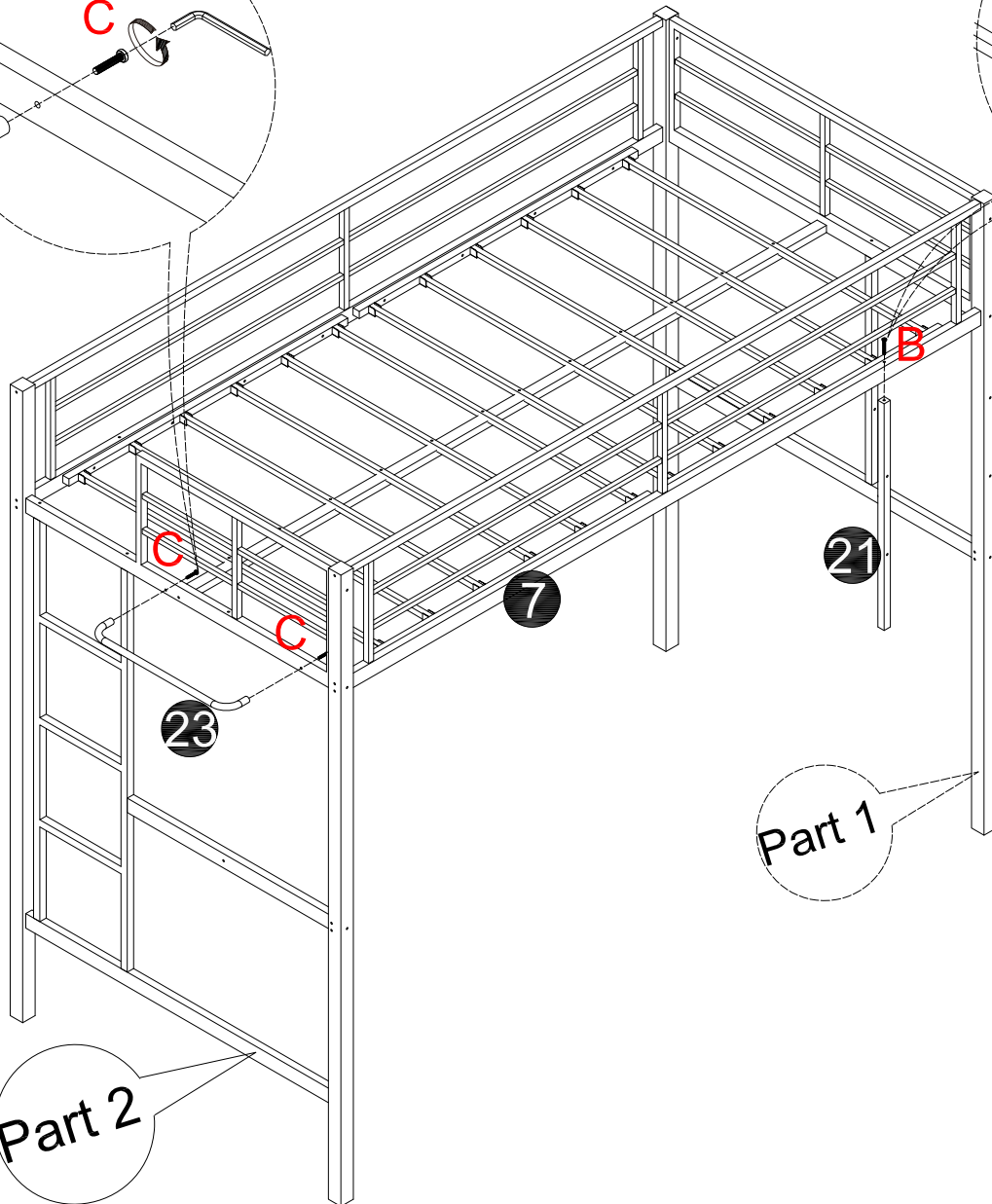
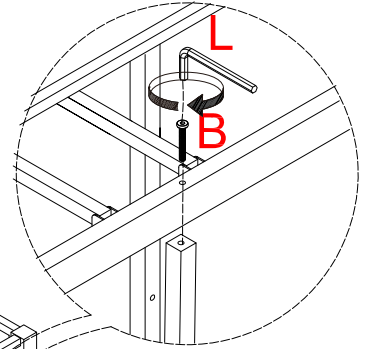
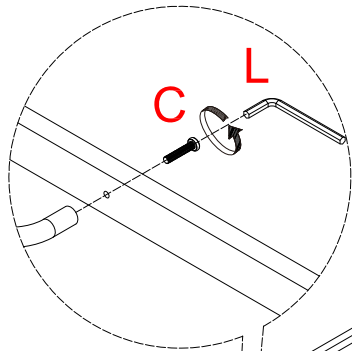
Ø8*60mm
B-1pc



Ø8*45mm
C-2pcs





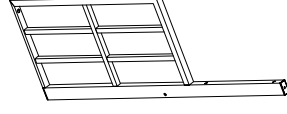

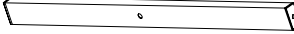





M5
L

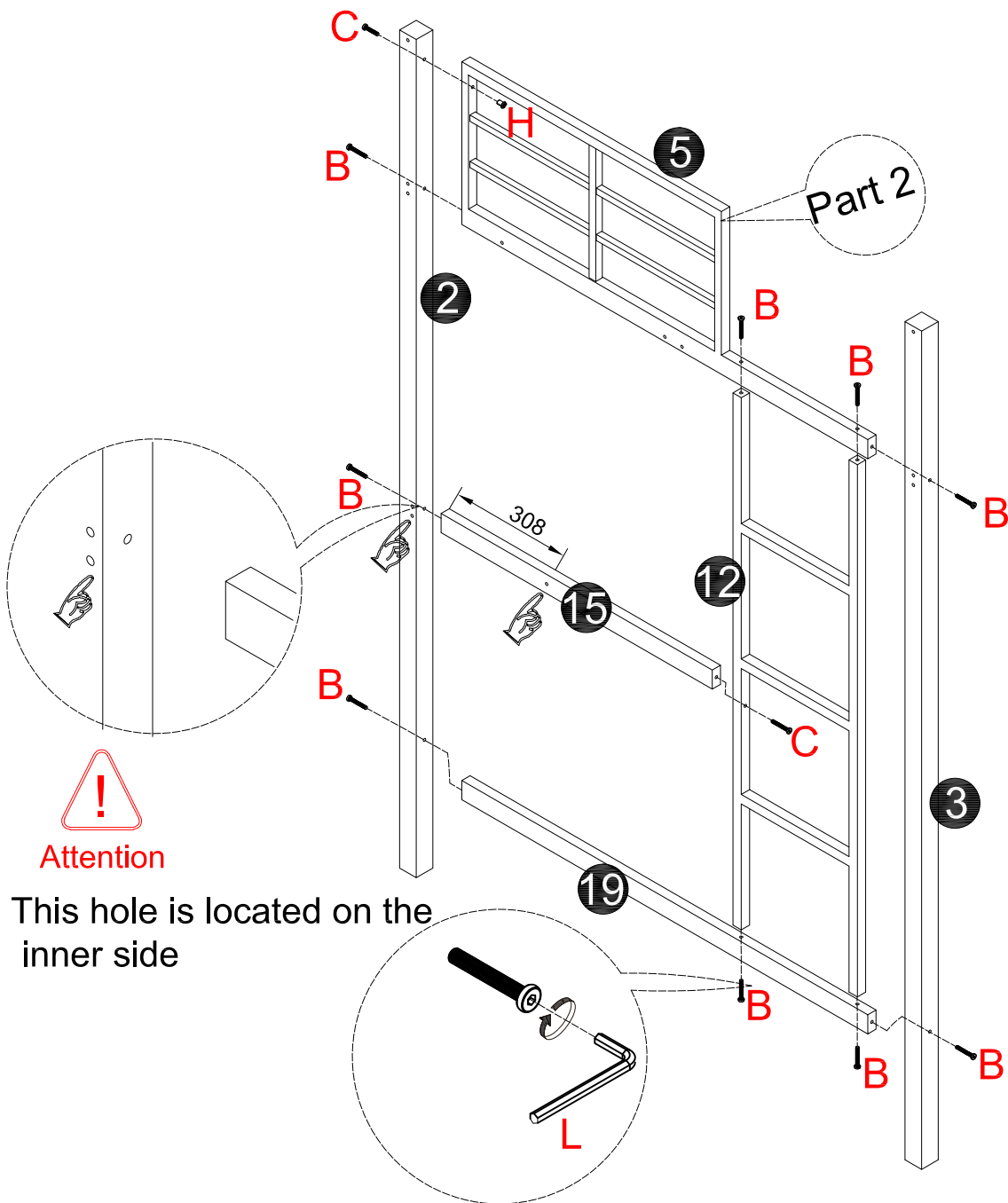


Part 1

Part 2

STEP 3

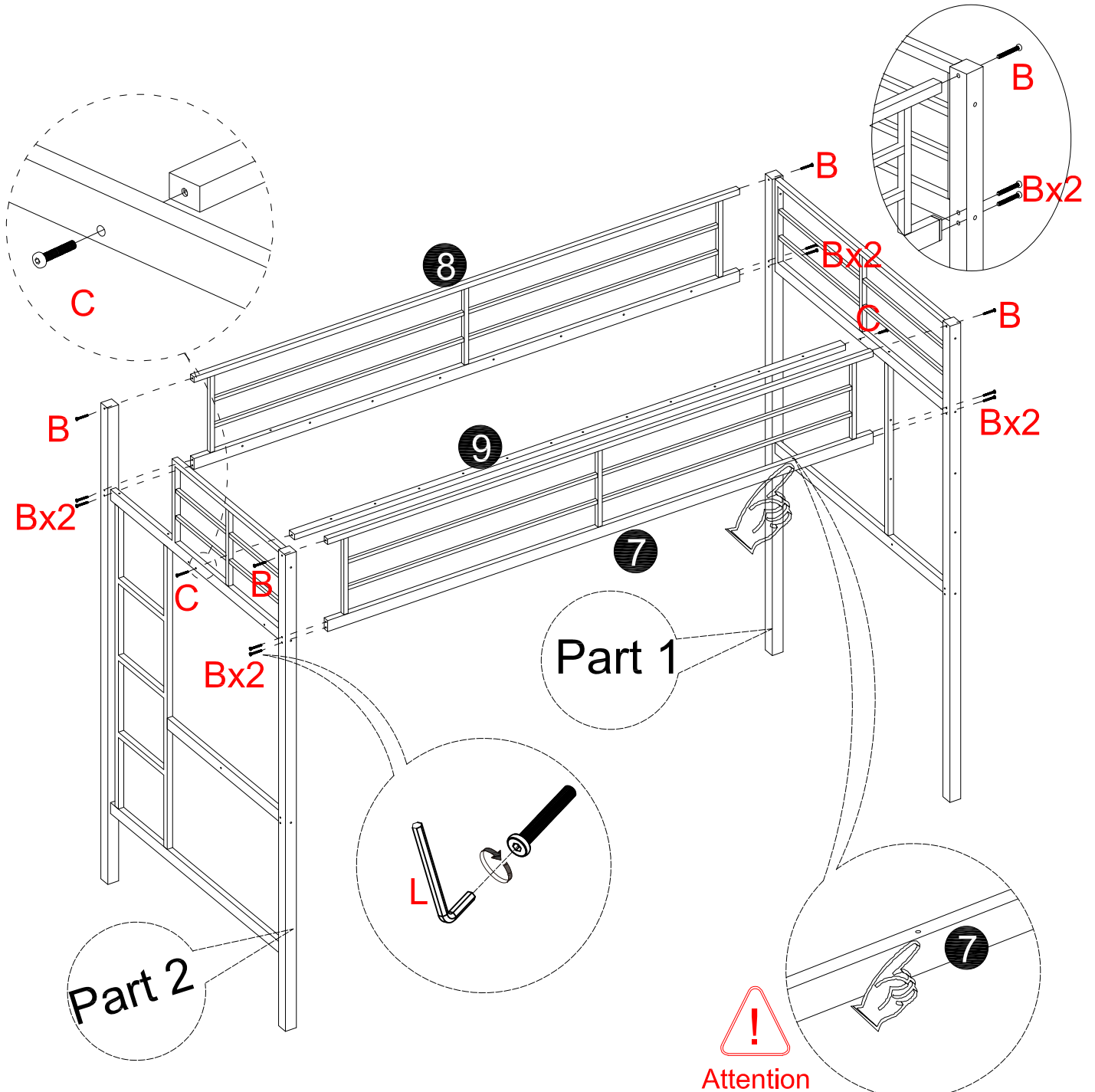
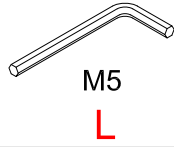
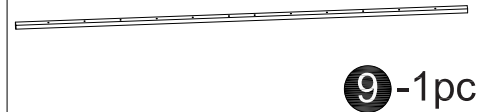
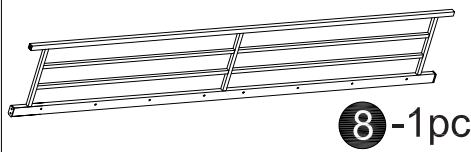
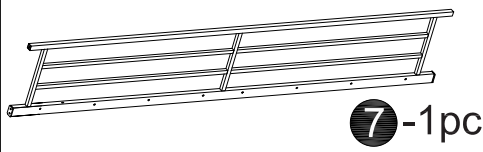
 <p>2-1pc</p>		 <p>3-1pc</p>		 <p>5-1pc</p>	
 <p>12-1pc</p>		 <p>15-1pc</p>		 <p>19-1pc</p>	
 <p>Ø8*60mm B-9pcs</p>	 <p>Ø8*45mm C-2pcs</p>	 <p>Ø8*12mm H-1pc</p>	 <p>M5 L</p>		



Attention




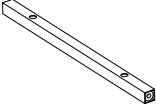
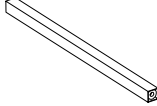



This hole is located on the inner side

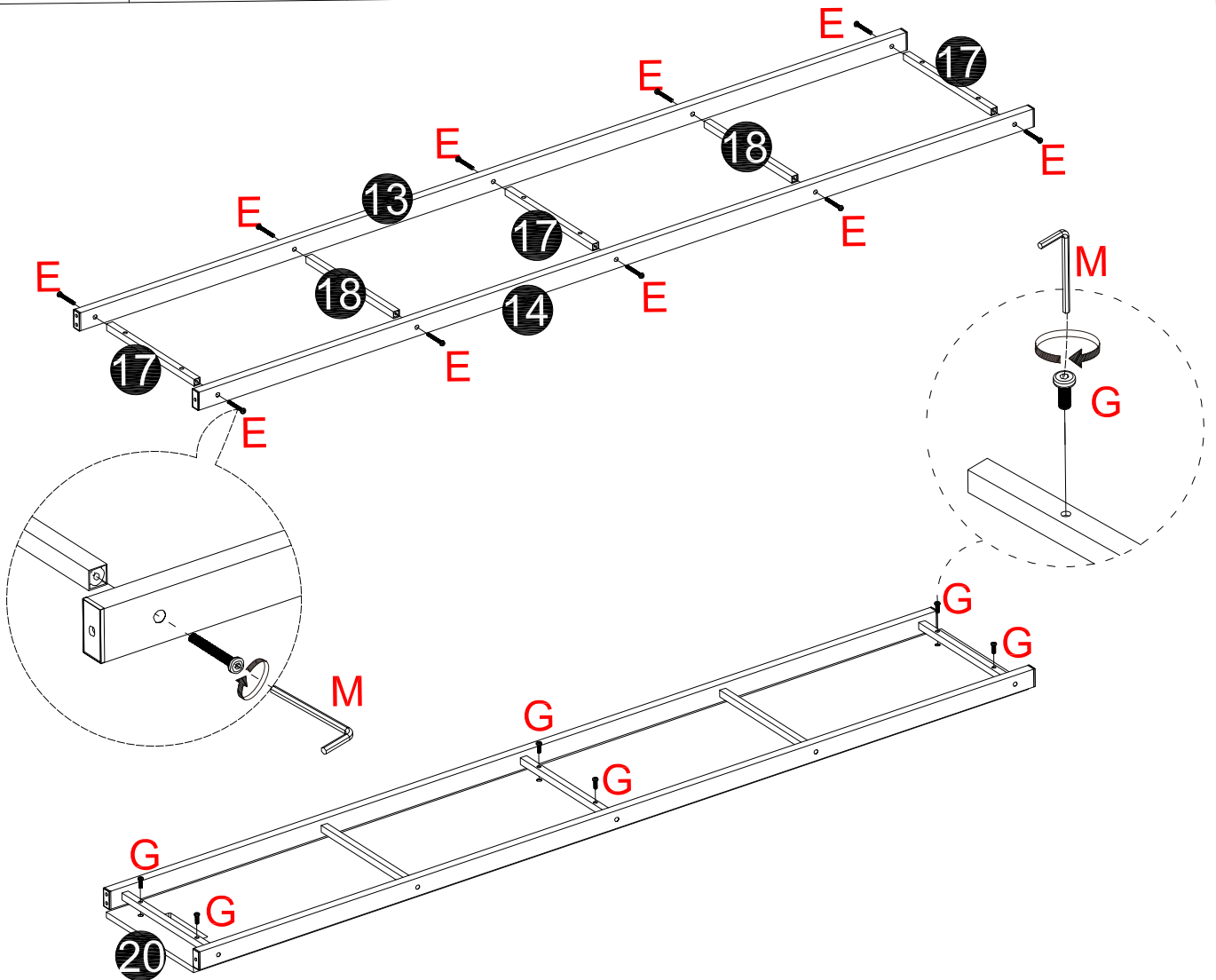
STEP 4



Attention
There is a hole here on Part 7.

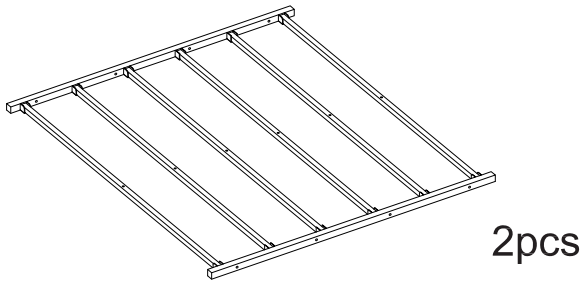
STEP 7

 13 -1pc	 14 -1pc	 20 -1pc
 17 -3pcs	 18 -2pcs	
 Ø6*35mm E -10pcs	 Ø6*23mm G -6pcs	 M4 M



Flip it over when it'S
assembled

STEP 6



Ø8*30mm
D-12pcs



Ø8*12mm
H-12pcs



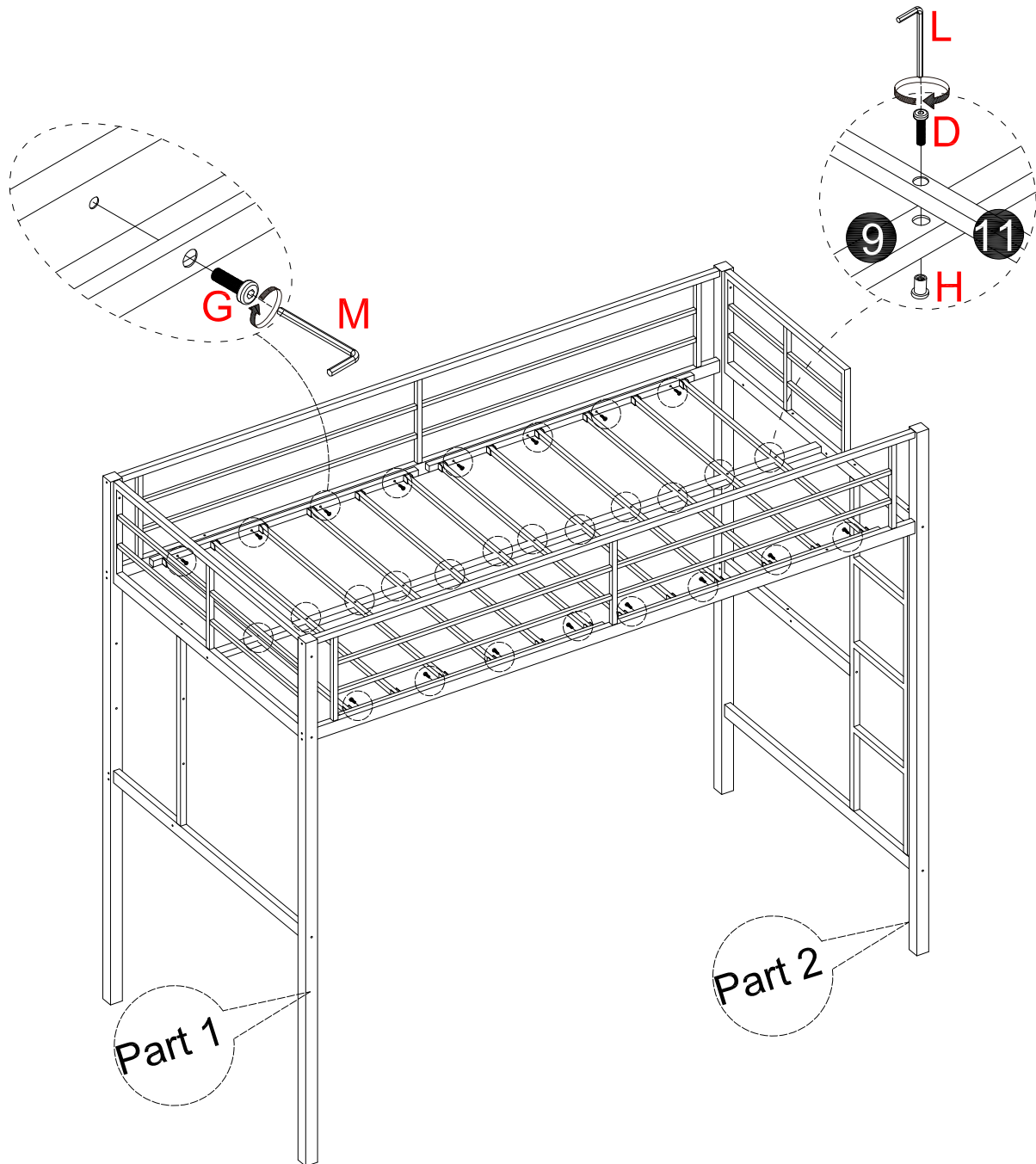
M5
L



Ø6*23mm
G-16pcs



M4
M



STEP 5



10-4pcs



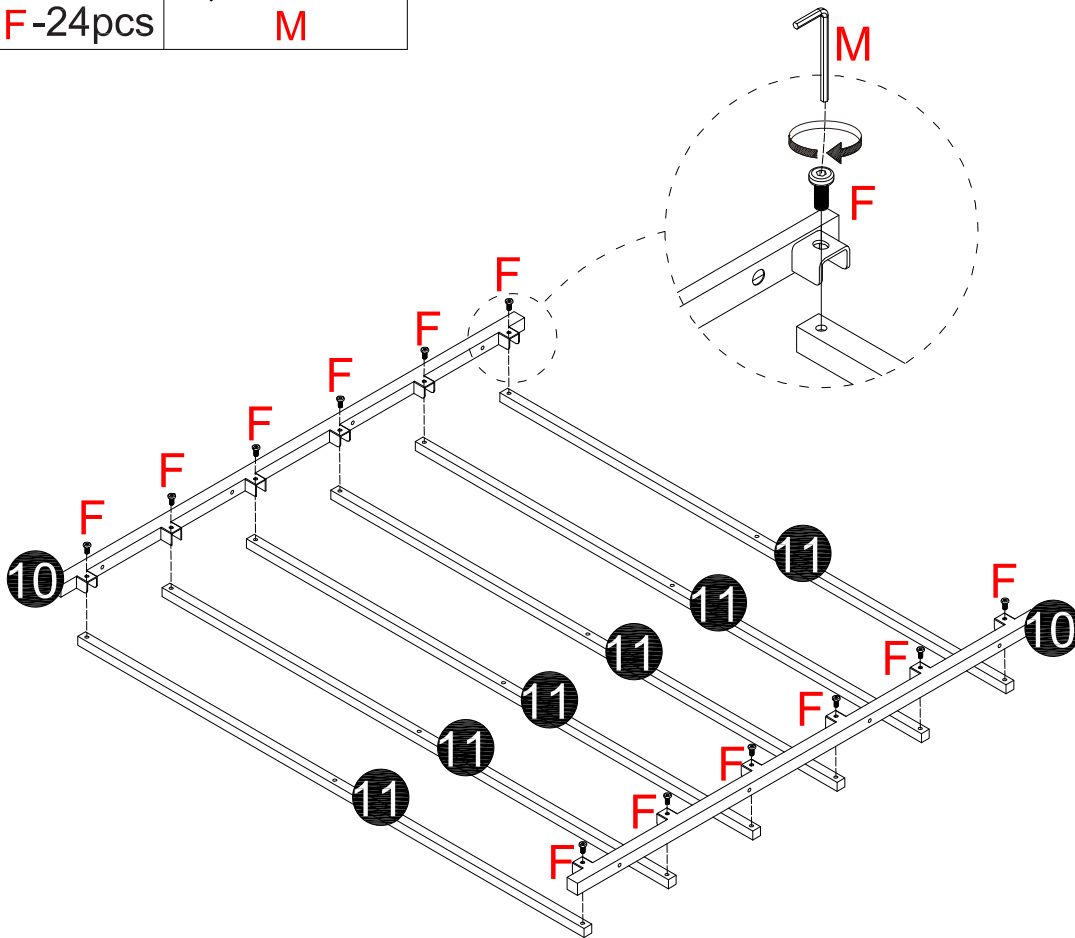
11-12pcs



Ø6*10mm
F-24pcs



M4
M



Flip it over when it's assembled

Please assemble 2 sets