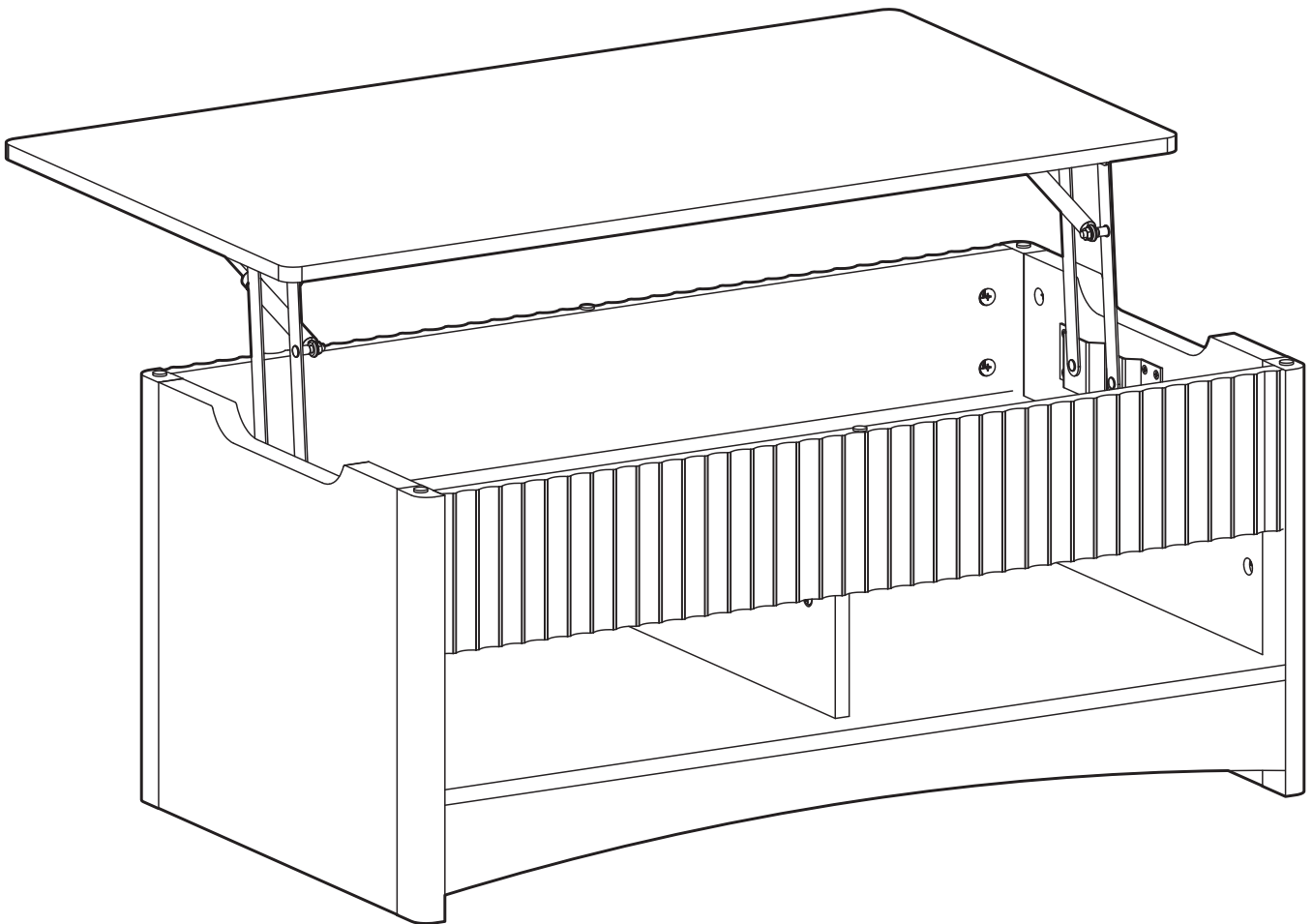
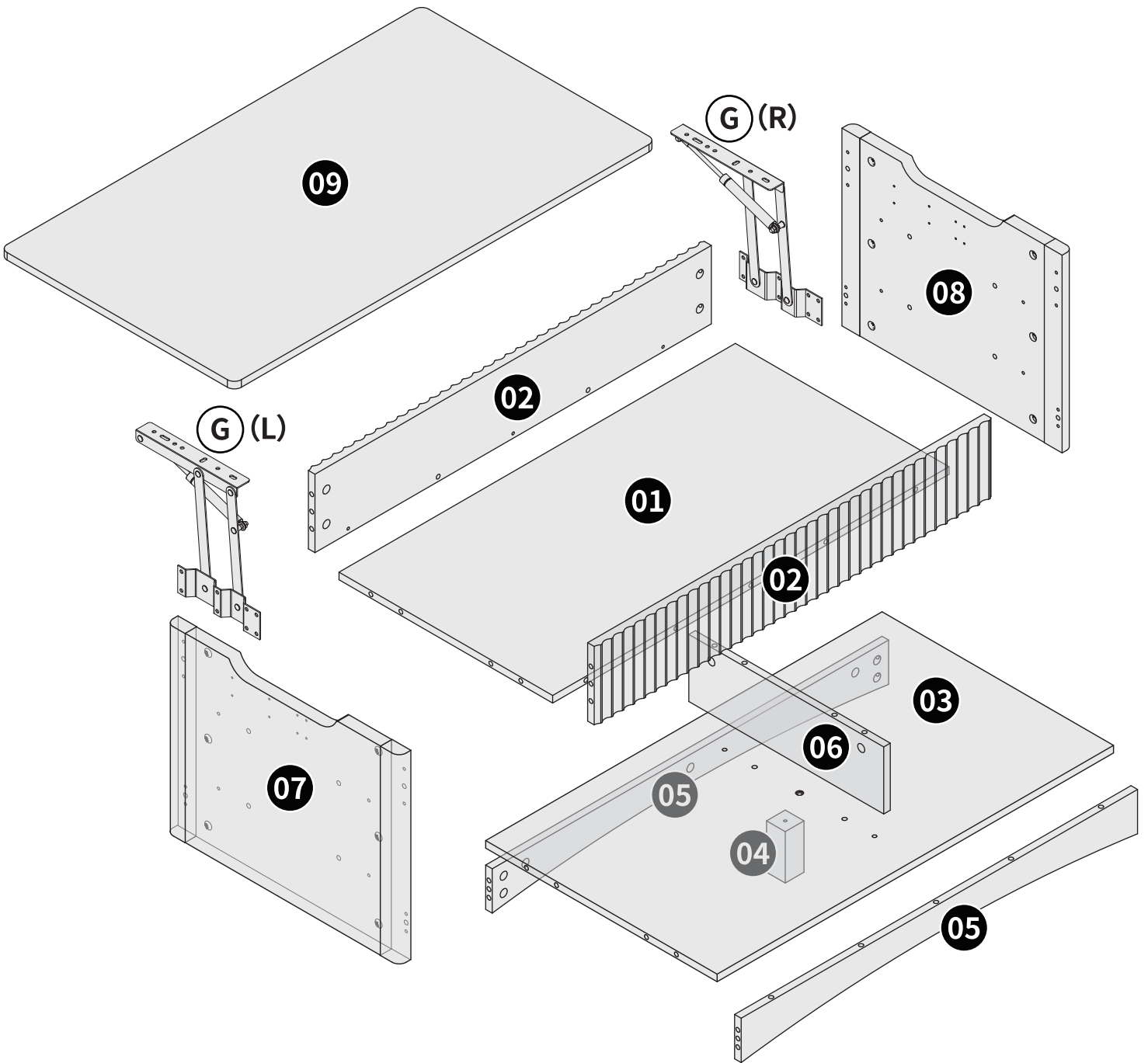
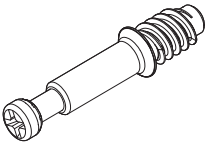
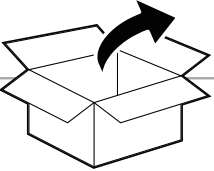
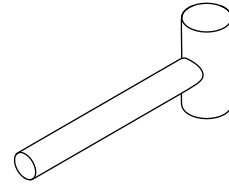
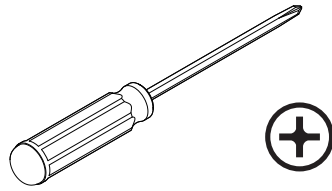
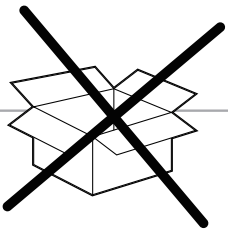


# Installation & Assembly

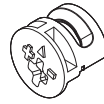






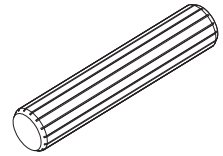
Ø6 x 35mm

**(A)** x 38



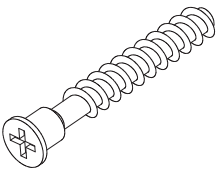
Ø15 x 11mm

**(B)** x 38



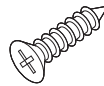
Ø8 x 30mm

**(C)** x 28



Ø6 x 50mm

**(D)** x 3

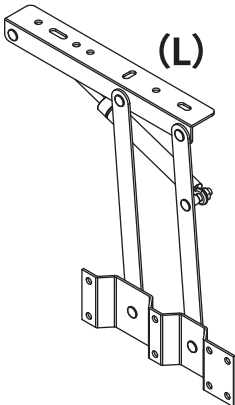


Ø4 x 15mm

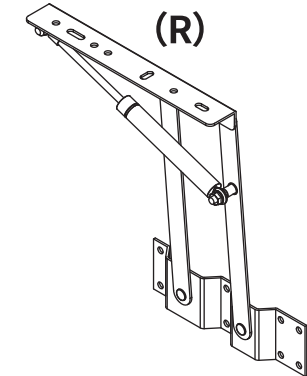
**(E)** x 28



**(F)** x 6

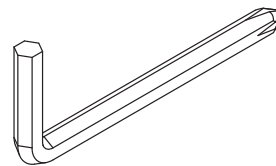


**(L)**



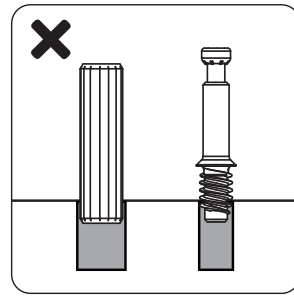
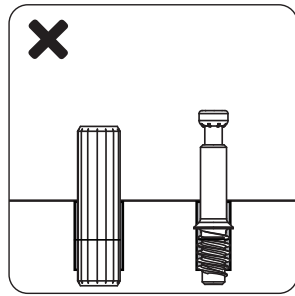
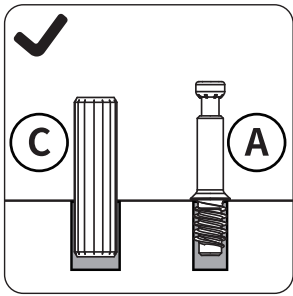
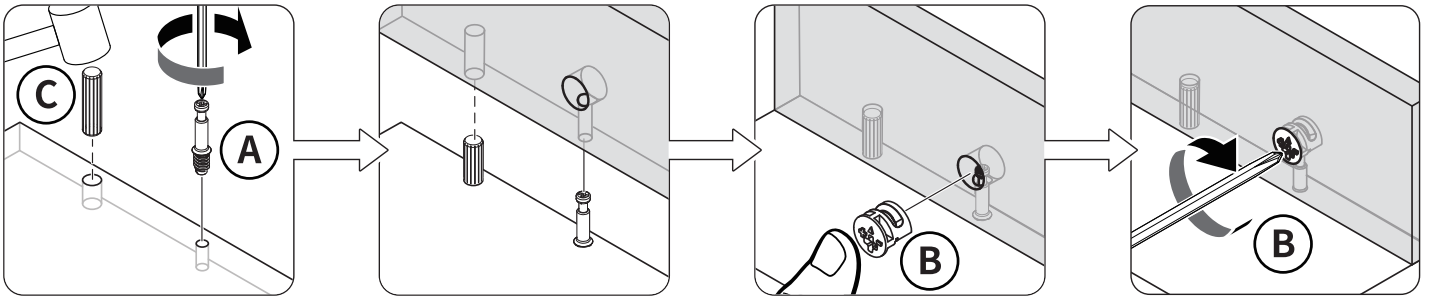
**(R)**

**(G)** x 1

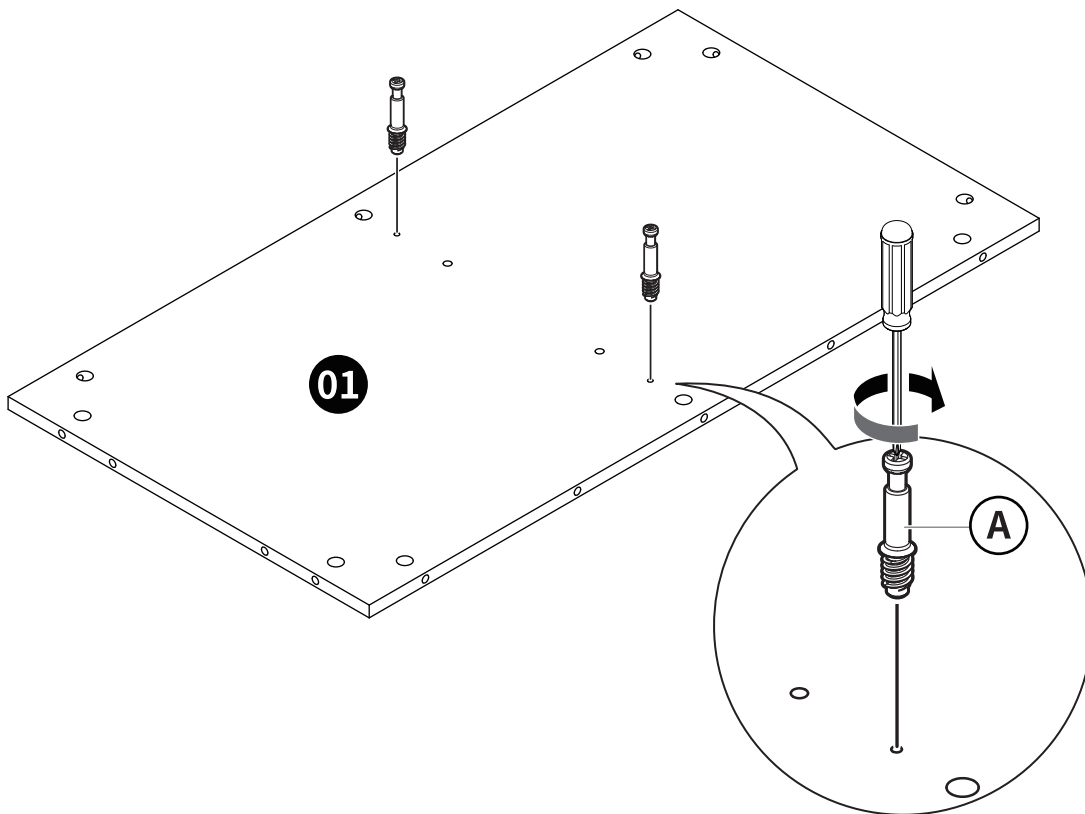
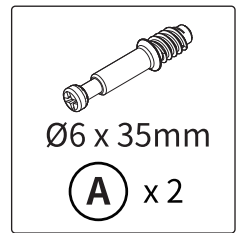


**(H)** x 1

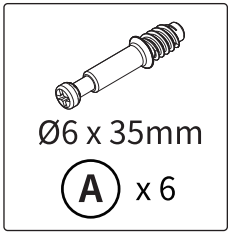
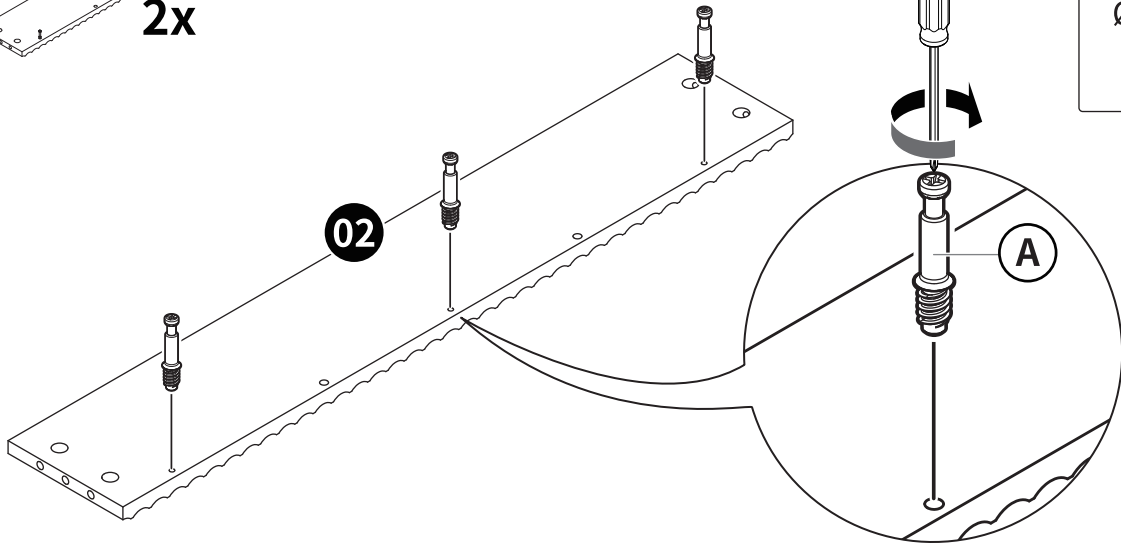
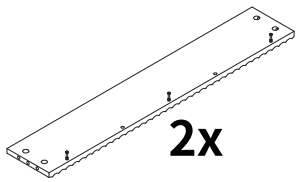
# Installation Guide



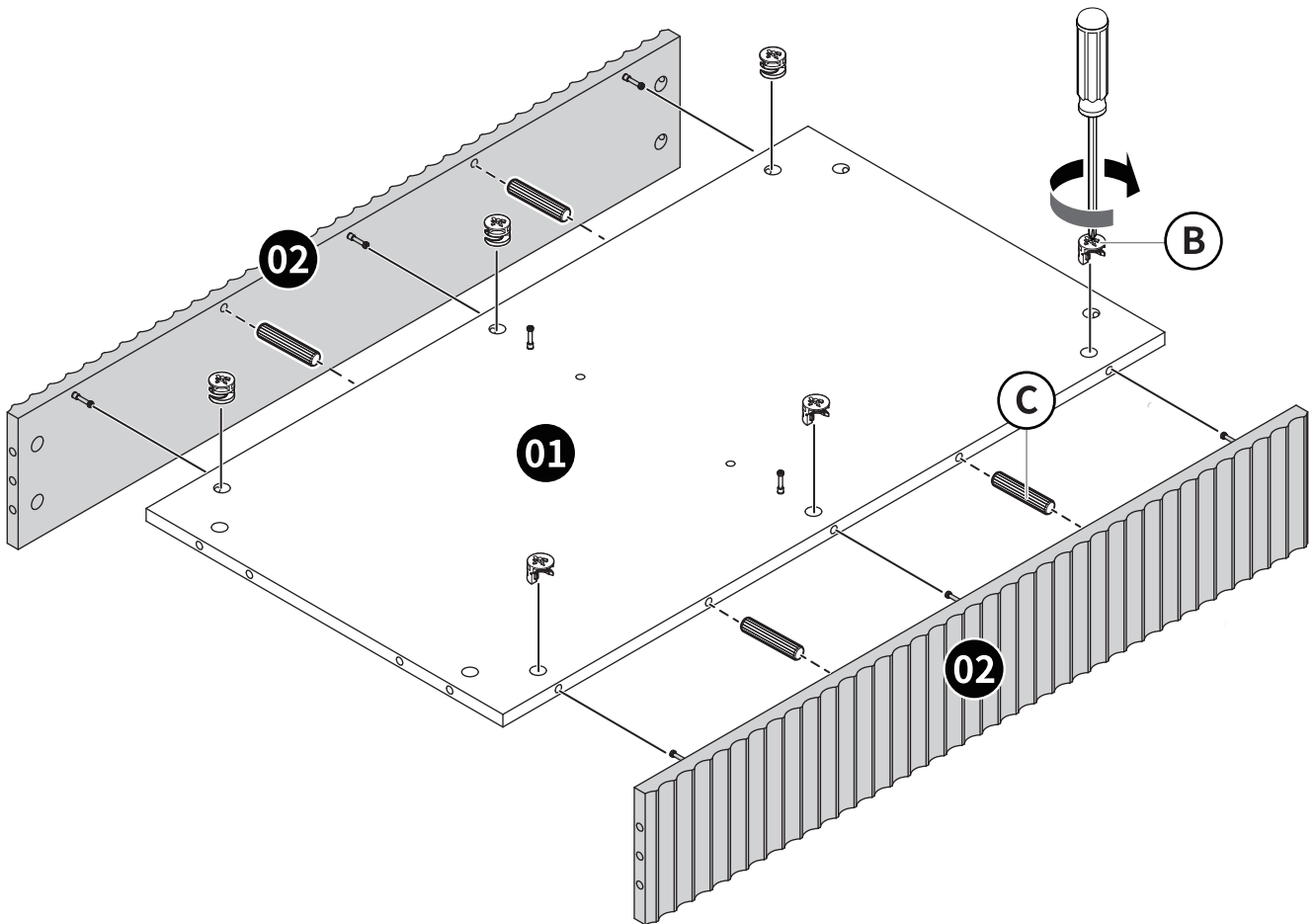
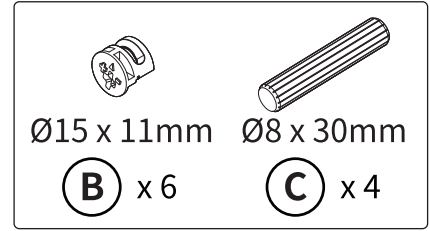
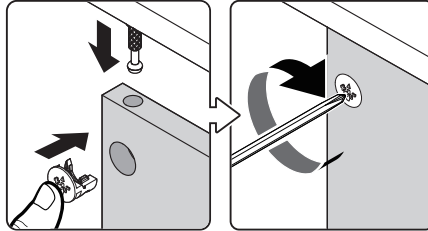
**1**



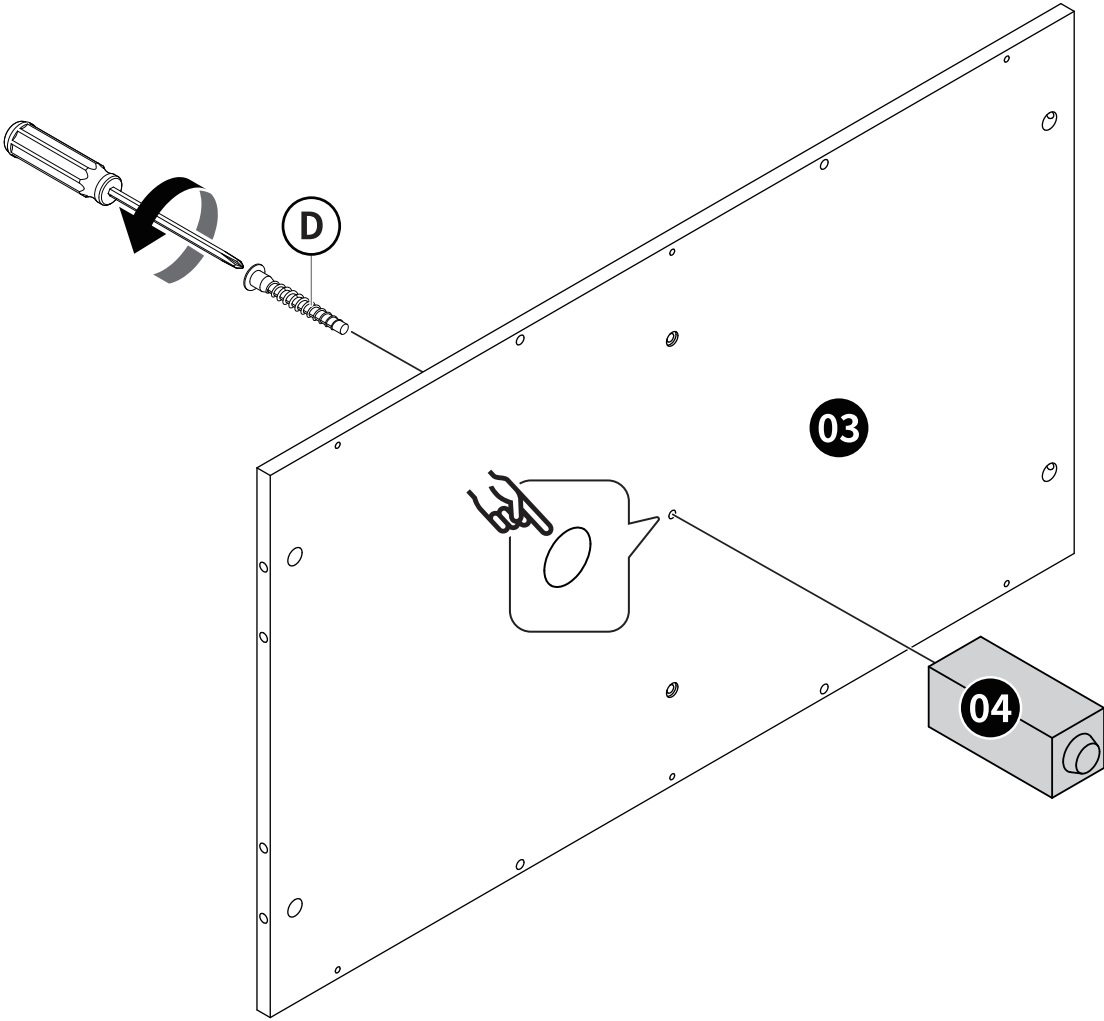
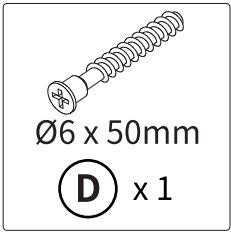
**2**



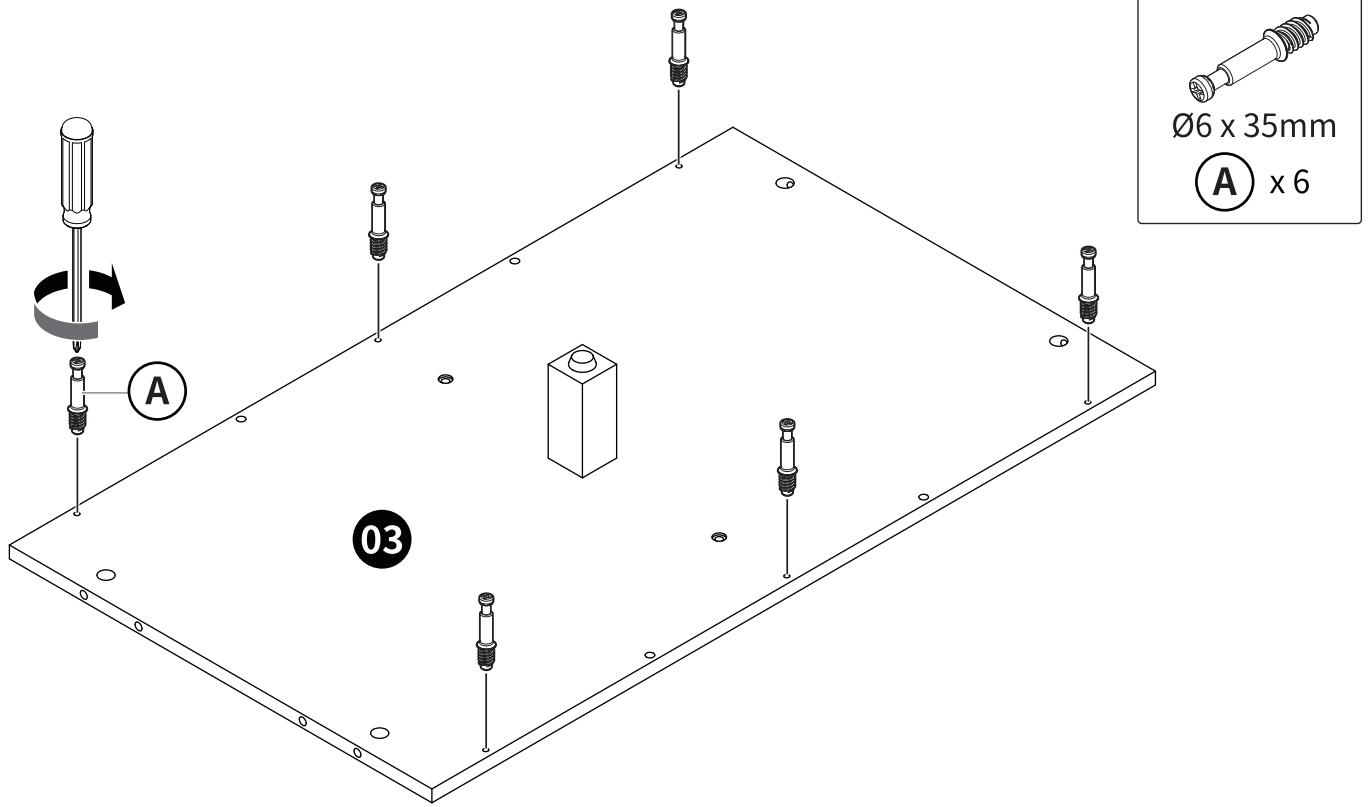
**3**



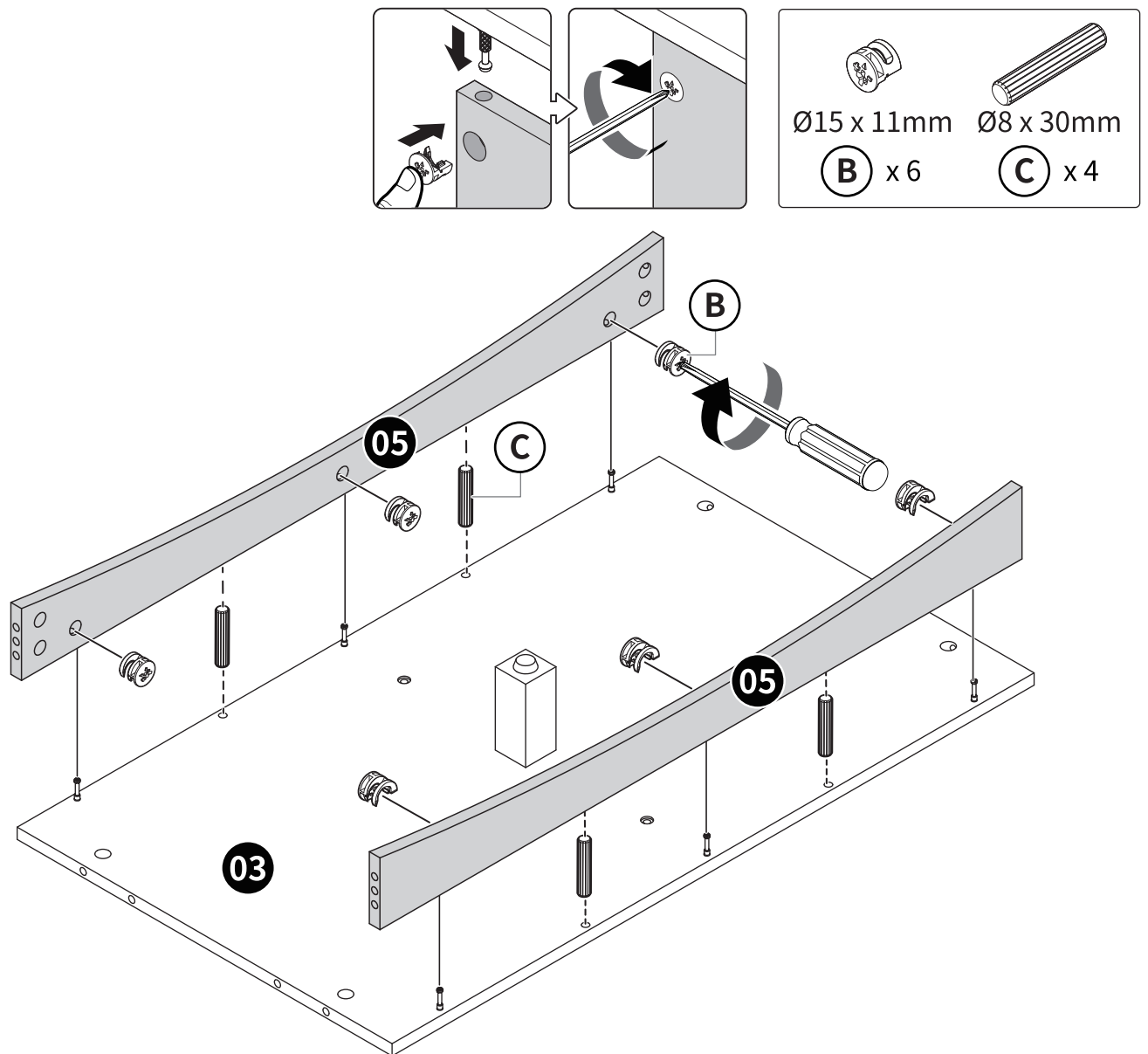
4



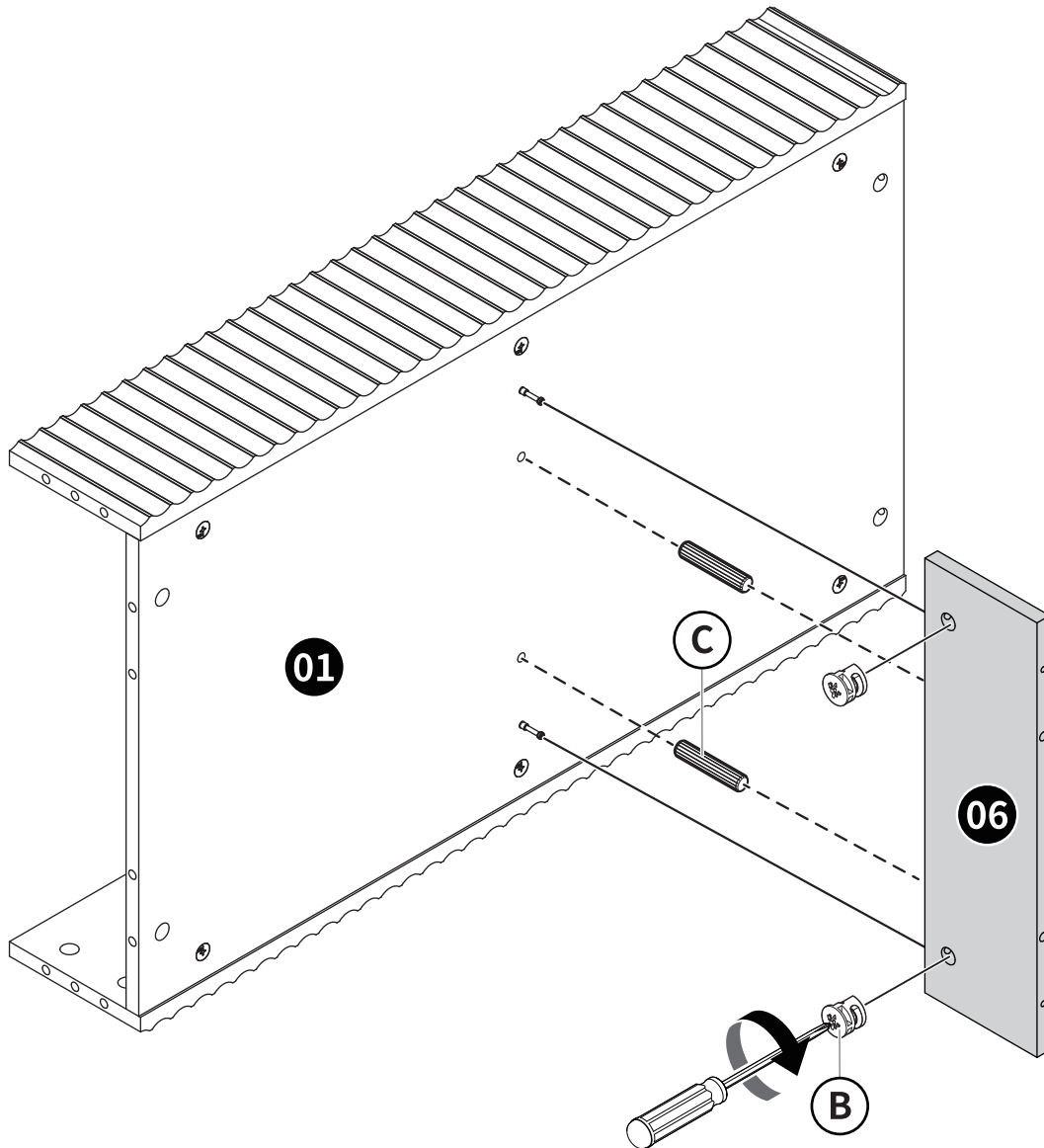
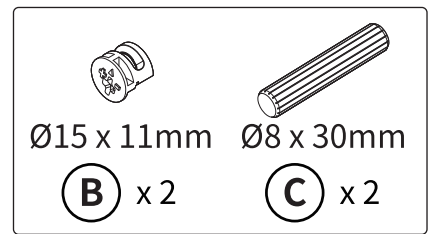
5



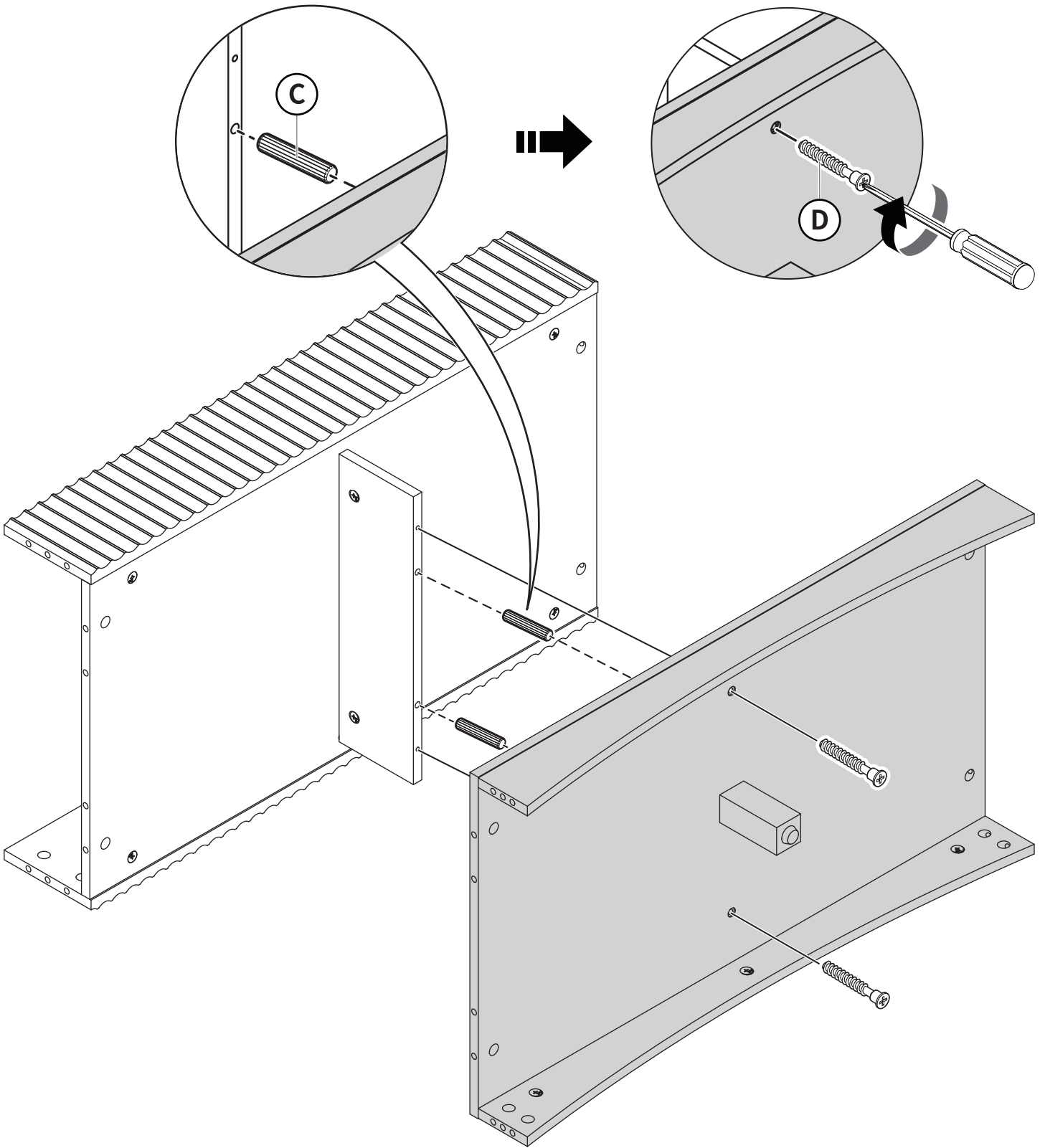
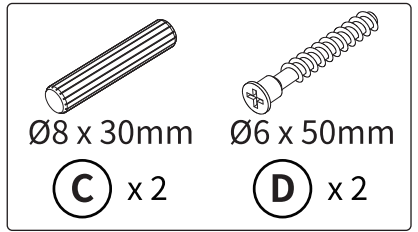
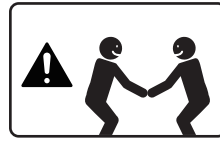
6



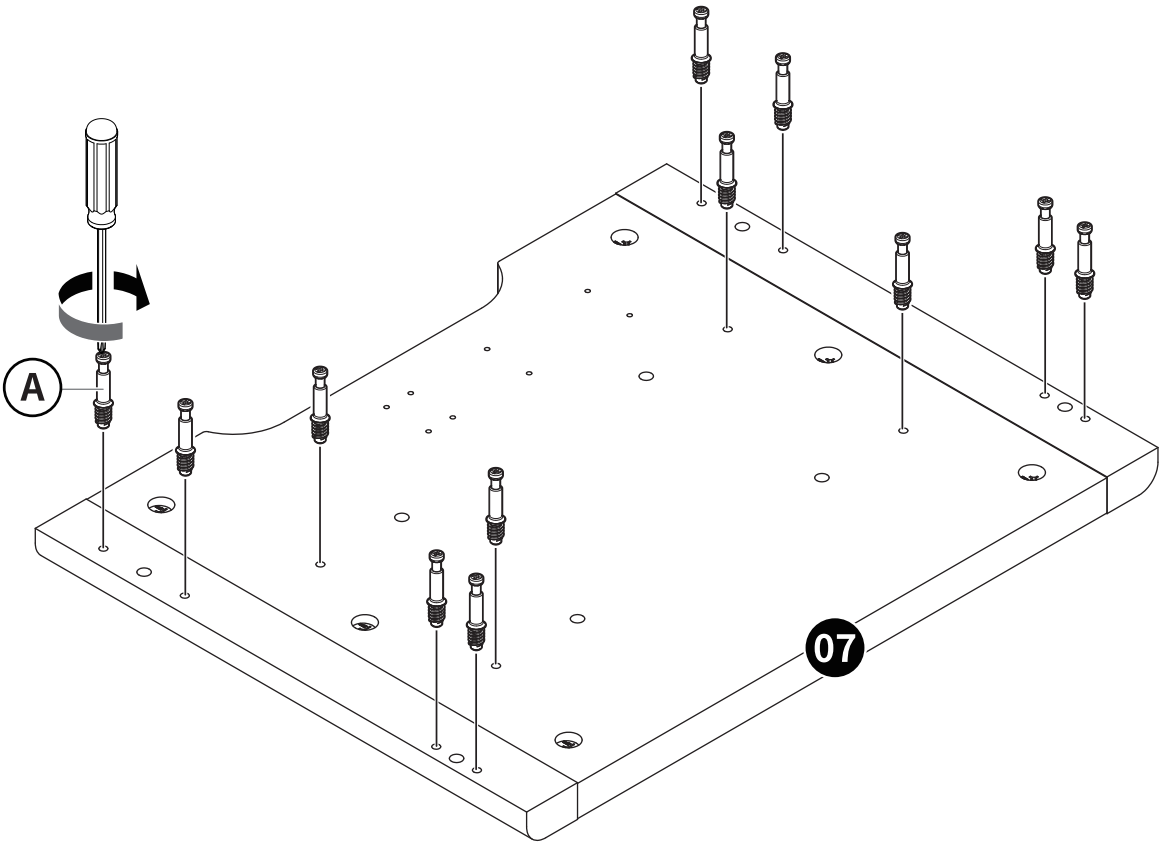
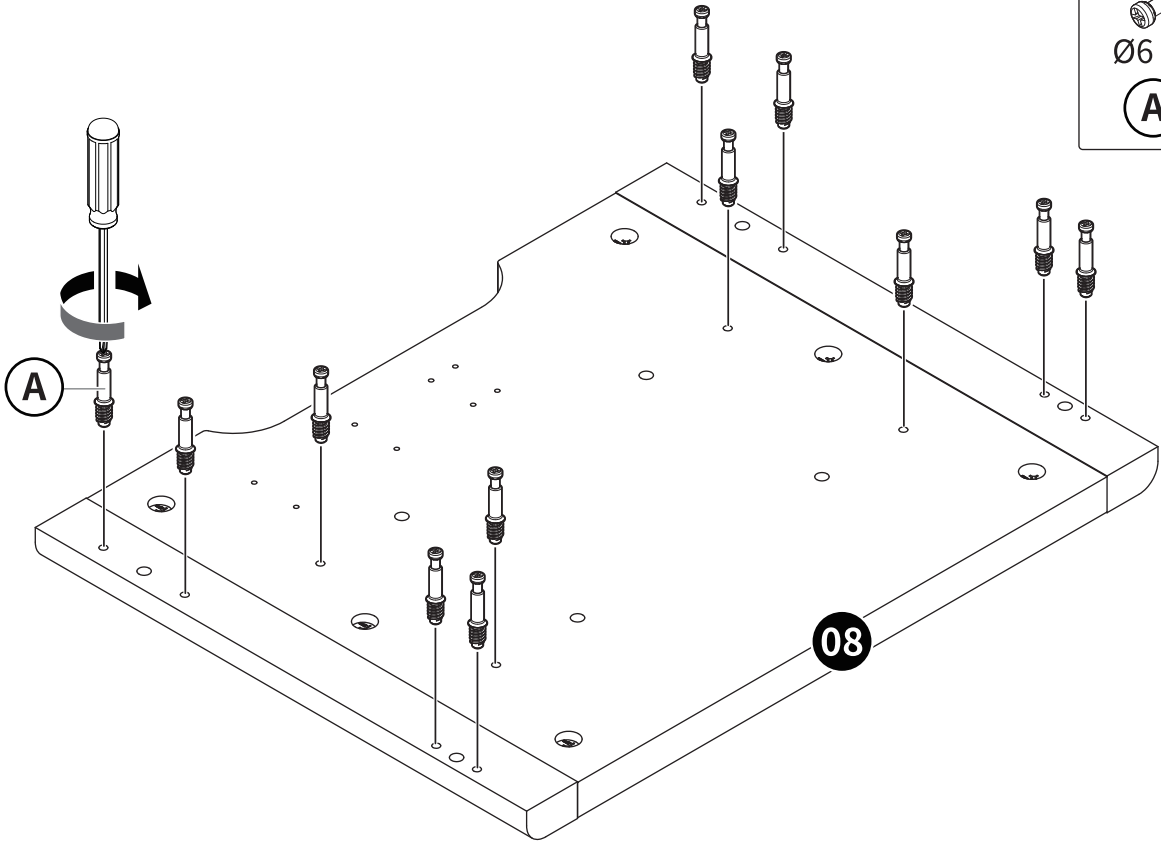
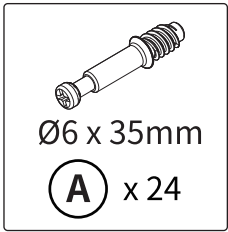
7



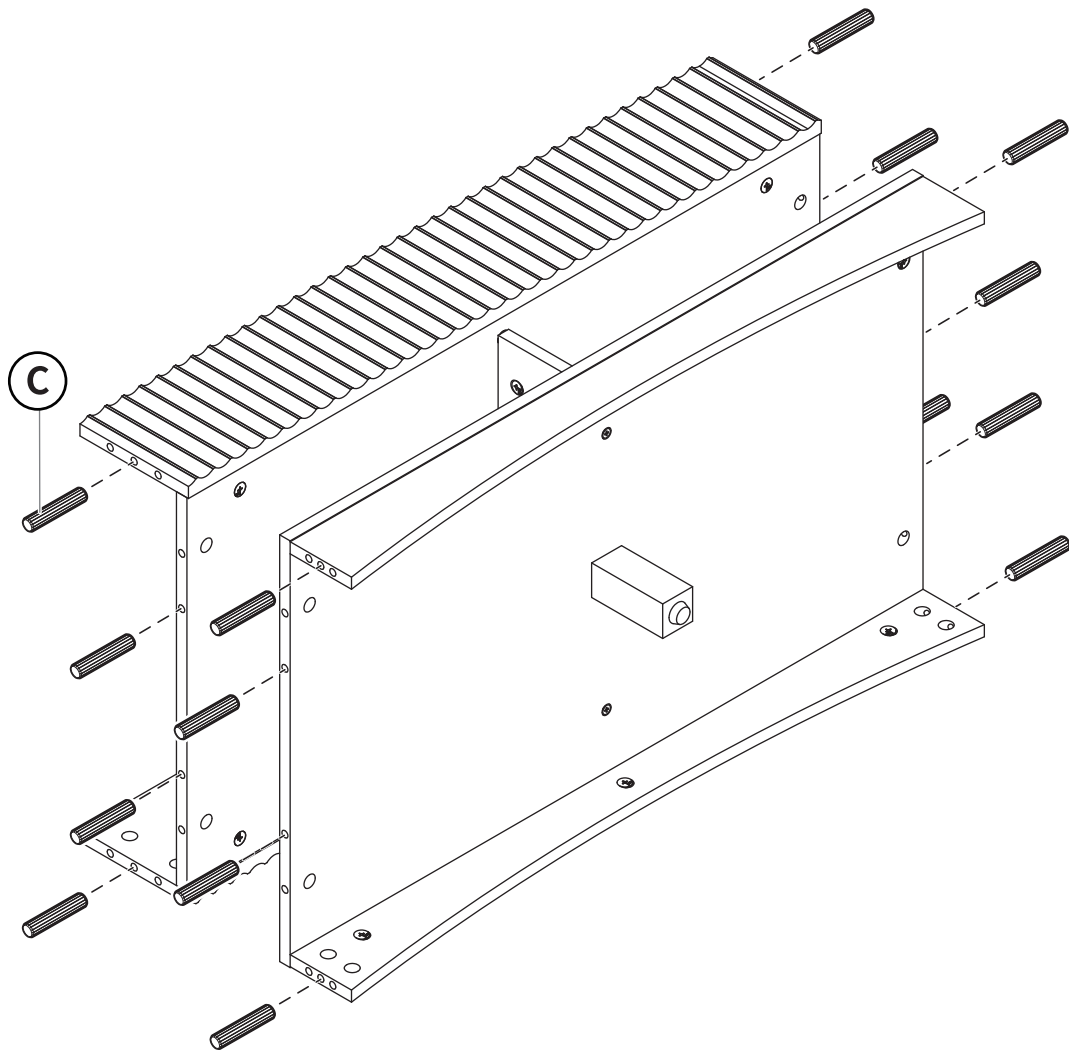
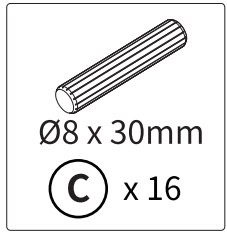
8

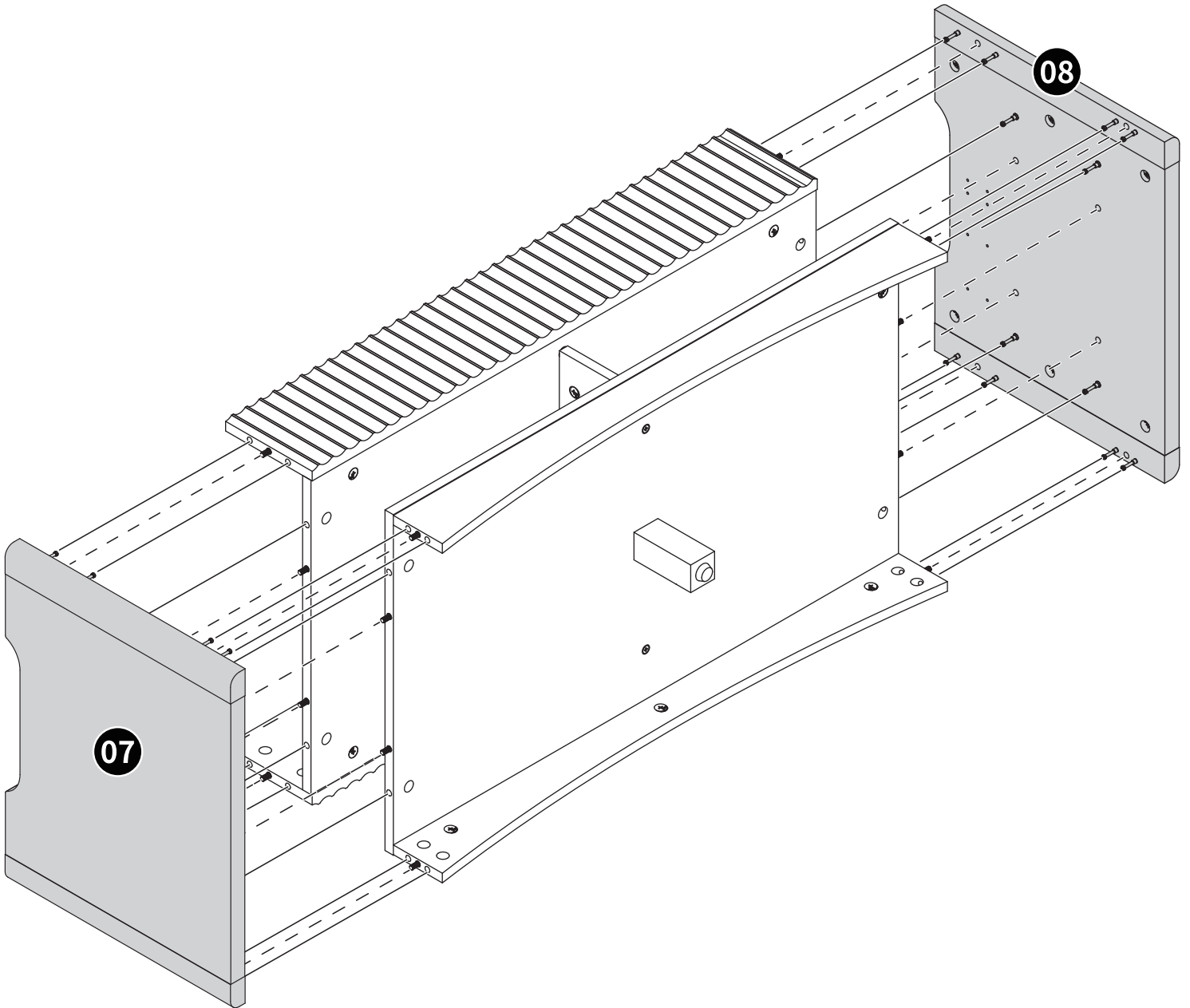
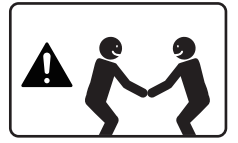


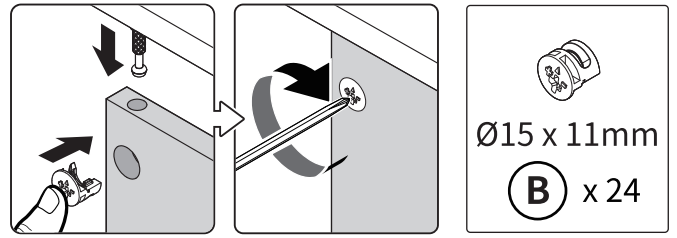
9



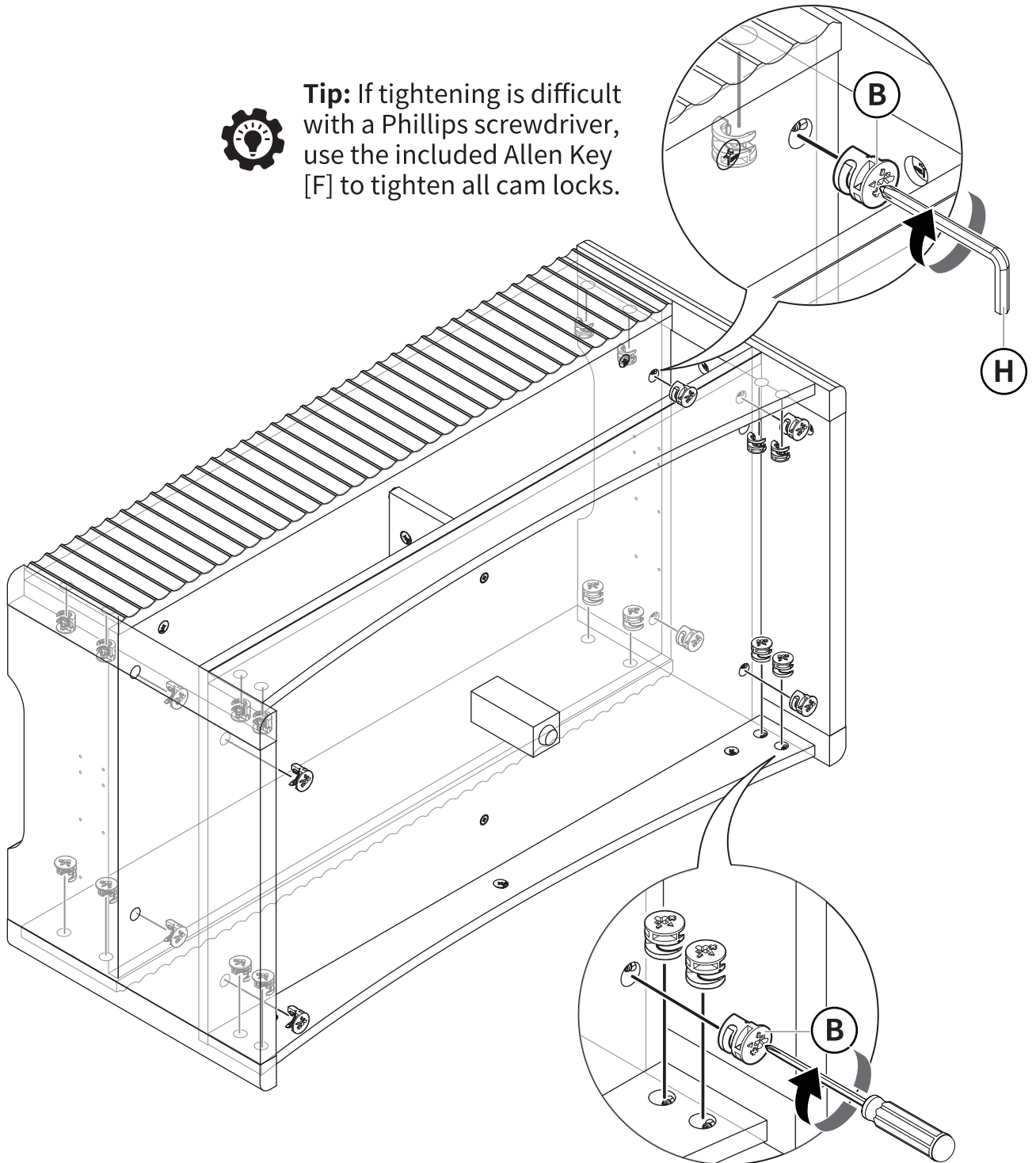
10



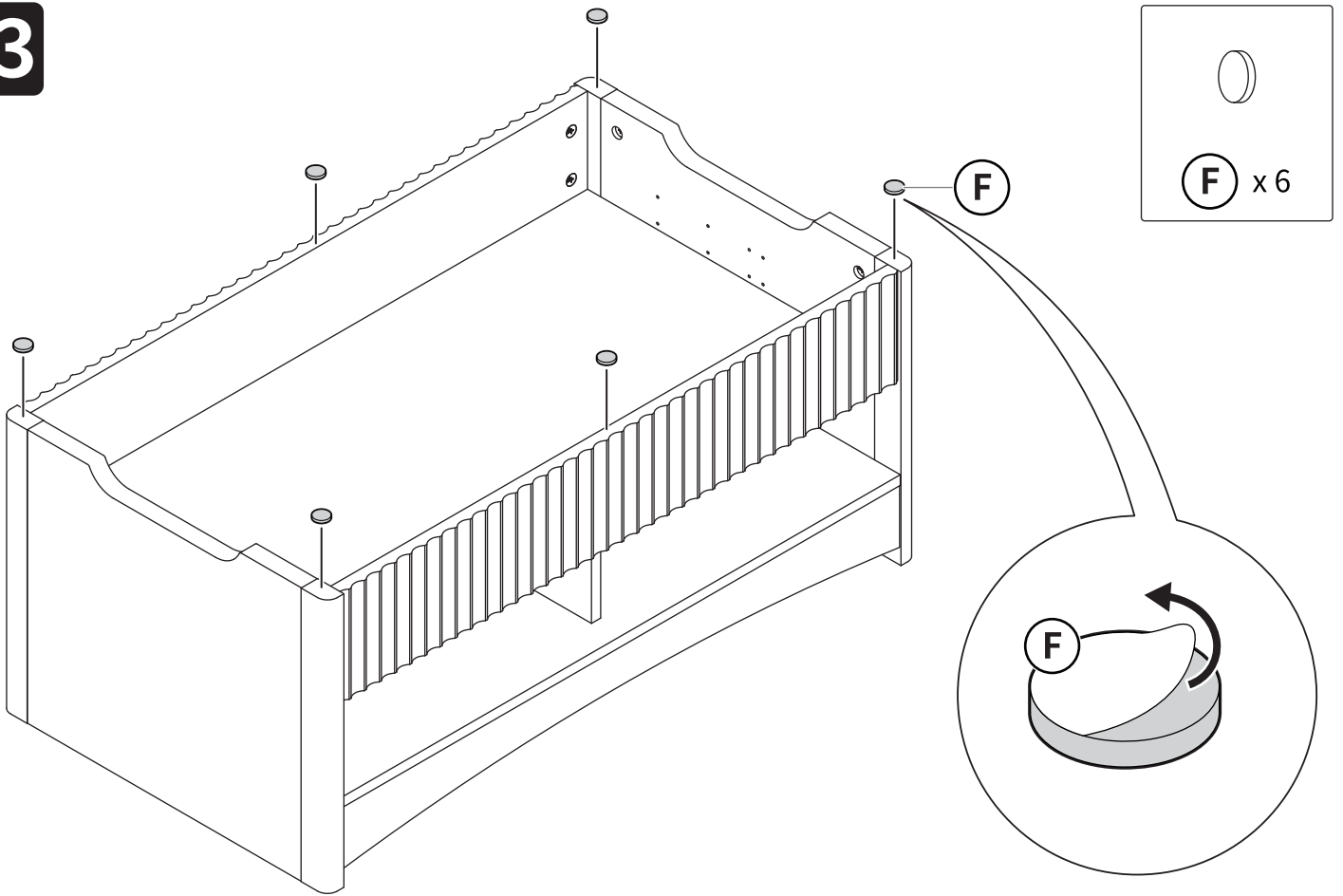




**Tip:** If tightening is difficult with a Phillips screwdriver, use the included Allen Key [F] to tighten all cam locks.



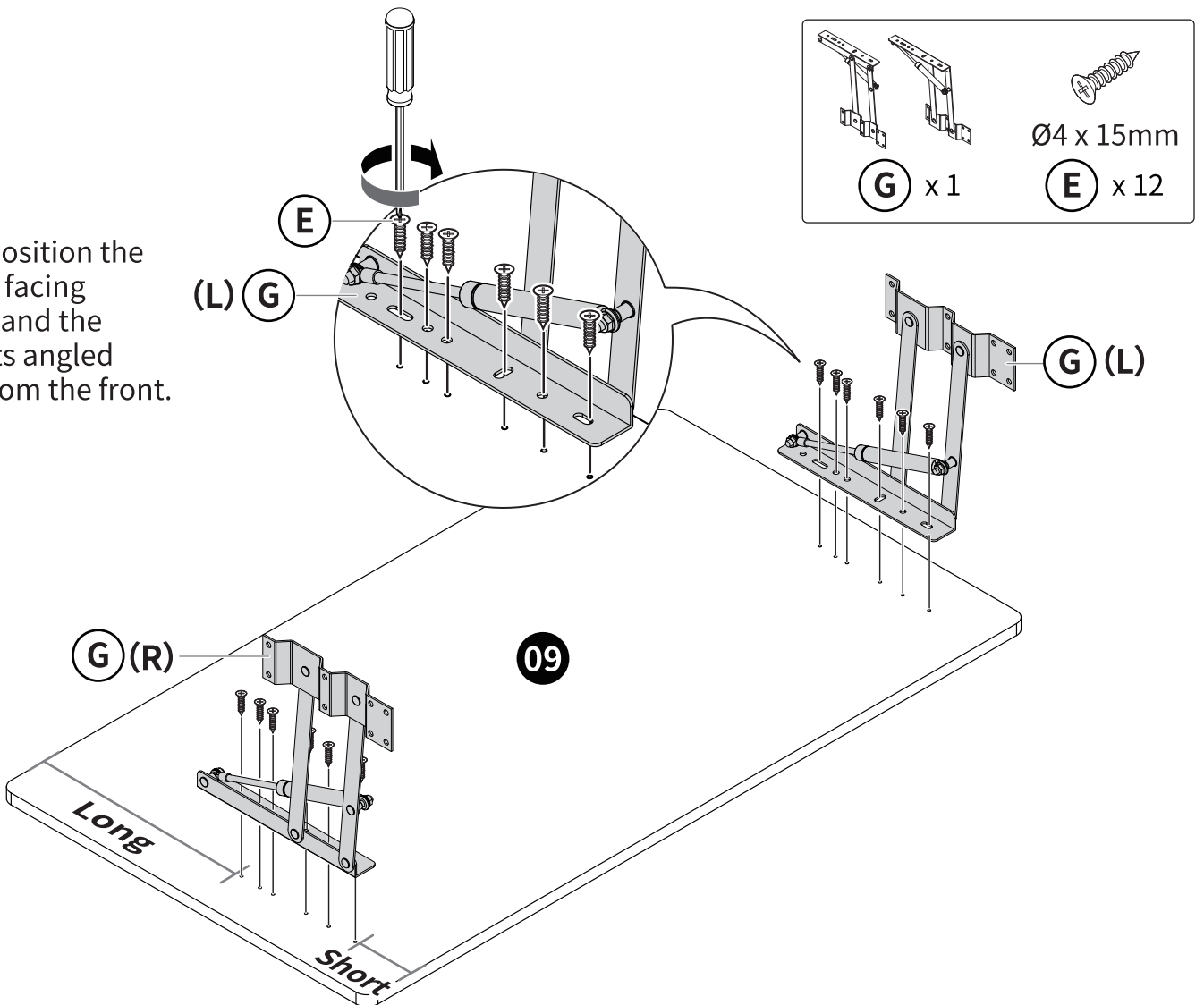
13



14

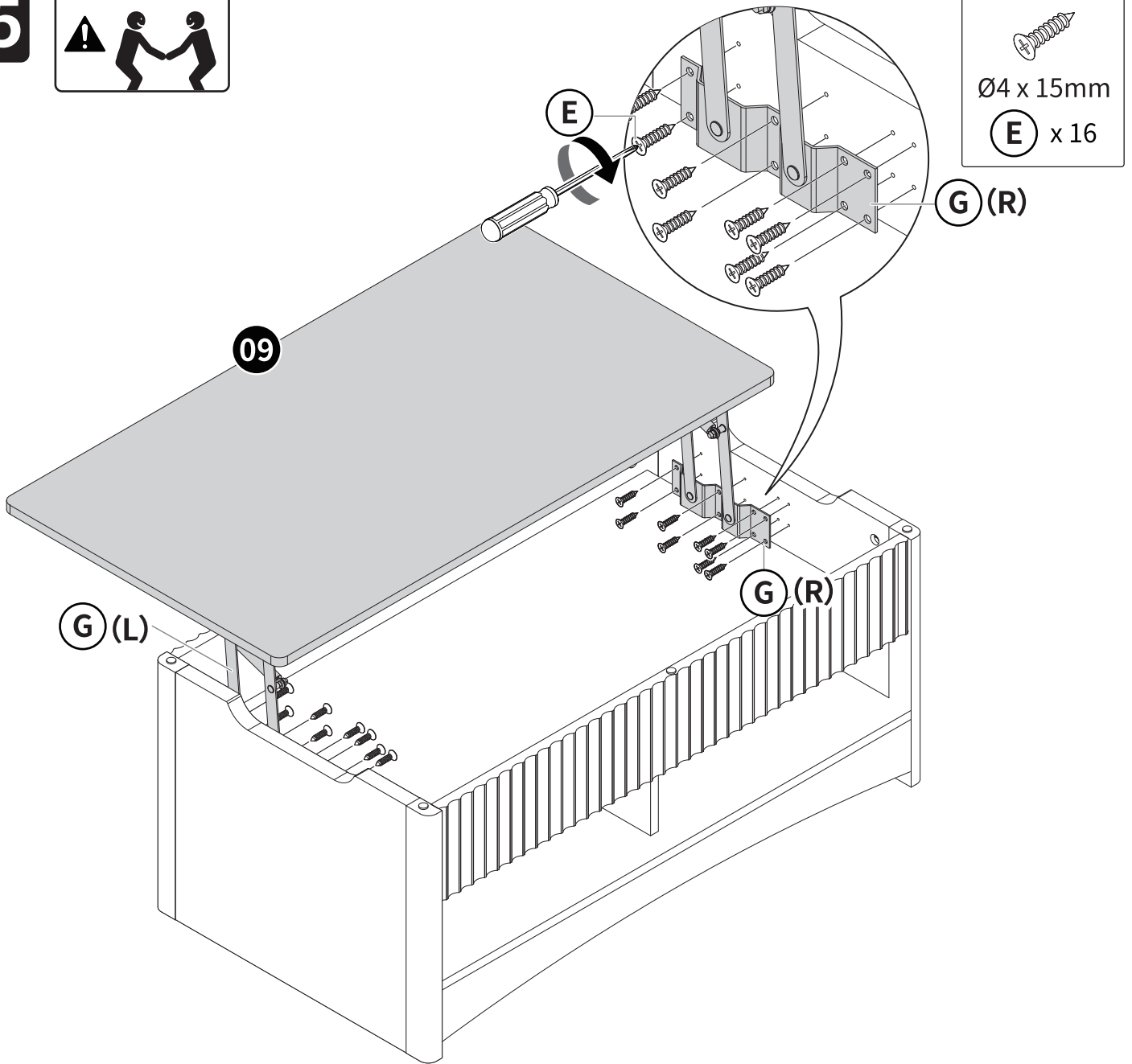
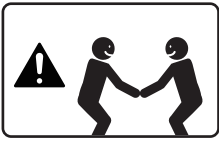


**Note:** Position the springs facing inward and the brackets angled away from the front.

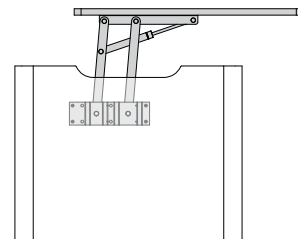
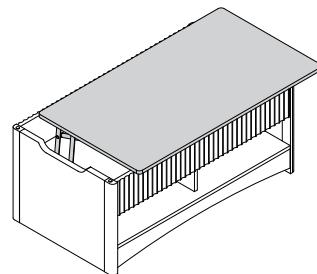
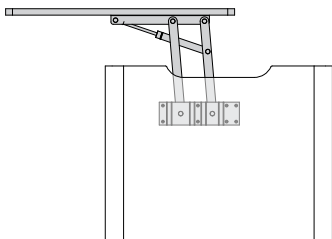
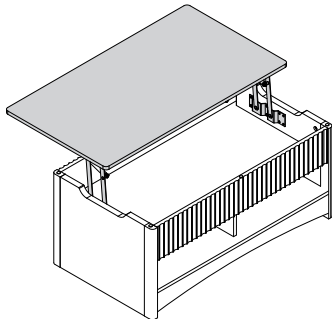


09

15



**Note:** The top panel should open away from the table. Please refer to the correct configuration on the left below.



**Finished**

