

VEVOR[®]

TOUGH TOOLS, HALF PRICE

Technical Support and E-Warranty Certificate www.vevor.com/support

KIDS STORAGE COMPARTMENTS

MODEL: IVY-VVR-003

We continue to be committed to provide you tools with competitive price.

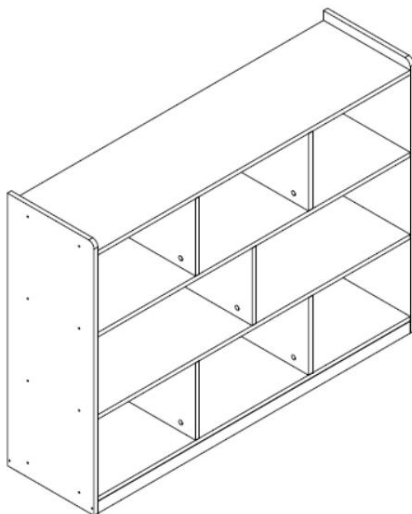
"Save Half", "Half Price" or any other similar expressions used by us only represents an estimate of savings you might benefit from buying certain tools with us compared to the major top brands and does not necessarily mean to cover all categories of tools offered by us. You are kindly reminded to verify carefully when you are placing an order with us if you are actually saving half in comparison with the top major brands.

VEVOR®

TOUGH TOOLS, HALF PRICE

KIDS STORAGE COMPARTMENTS

MODEL: IVY-VVR-003



NEED HELP? CONTACT US!

Have product questions? Need technical support? Please feel free to contact us:

Technical Support and E-Warranty Certificate
www.vevor.com/support

This is the original instruction, please read all manual instructions carefully before operating. VEVOR reserves a clear interpretation of our user manual. The appearance of the product shall be subject to the product you received. Please forgive us that we won't inform you again if there are any technology or software updates on our product.



Warning-To reduce the risk of injury, user must read instructions manual carefully.

SAFETY WARNINGS AND PRECAUTIONS

Thank you for using this product. In order to make sure that you can operate the machine correctly, read this instruction carefully before operation and keep it properly for future reference. Please be sure to read the precautions and safety rules **on** this page to ensure your safe use. This manual will outline safety warnings and precautions, operating, maintenance and cleaning. The warnings and instructions reviewed in this manual cannot cover all possible conditions and situations that may occur. Caution and common sense are not built into this product, since we believe that the uses will comply with these codes.

Please read ALL the instructions before using your machine.

1. Assemble needs to follow these instructions. Incorrect assembly can be a hazard.
2. Wear safety goggles and heavy-duty work gloves during assembly.
3. Do not assemble when tired or when under the influence of alcohol, drugs or medication.
4. Weight and other product properties only apply to correctly and completely assembled products.
5. Keep the assembly area clean and well-lit.
6. Keep bystanders out of the area during assembly.
7. This product is not a toy.
8. Use as intended only. Do not sit or stand on the product.
9. Inspect before every use. Do not use it if parts are loose or damaged.
10. For indoor use only.
11. Do not exceed the listed weight capacity. Tighten all knobs securely before applying load. Be aware of dynamic loading! The sudden load movement may briefly create an excess load, causing product failure.
12. Do not apply this unit to any other purposes than the indicated usage.

13. Do not use it outdoors or for commercial purposes. INDOOR USE ONLY.
14. DO NOT CLEAN IT WITH ANY ABRASIVE MATERIAL.
15. Never leave it unattended while in use.
17. Pay attention to hand injuries caused by drawer pinching!
18. Do not place the product on or near hot air, electric burners or heaters.
19. **Do not place it in a damp environment.**
20. The product should be placed on a flat surface.

⚠ WARNING: TO PREVENT SERIOUS INJURY AND DEATH FROM TIPPING:

21. Attention: An anti-tipping device must be installed to securely secure the product to the wall (Ensure the reliability of the wall itself).

22. This appliance is not intended for use by young or infirm persons unless supervised by a responsible person to ensure that they can use the appliance safely. Young children should be supervised to ensure that they do not play with the product.

PRODUCT PARAMETERS

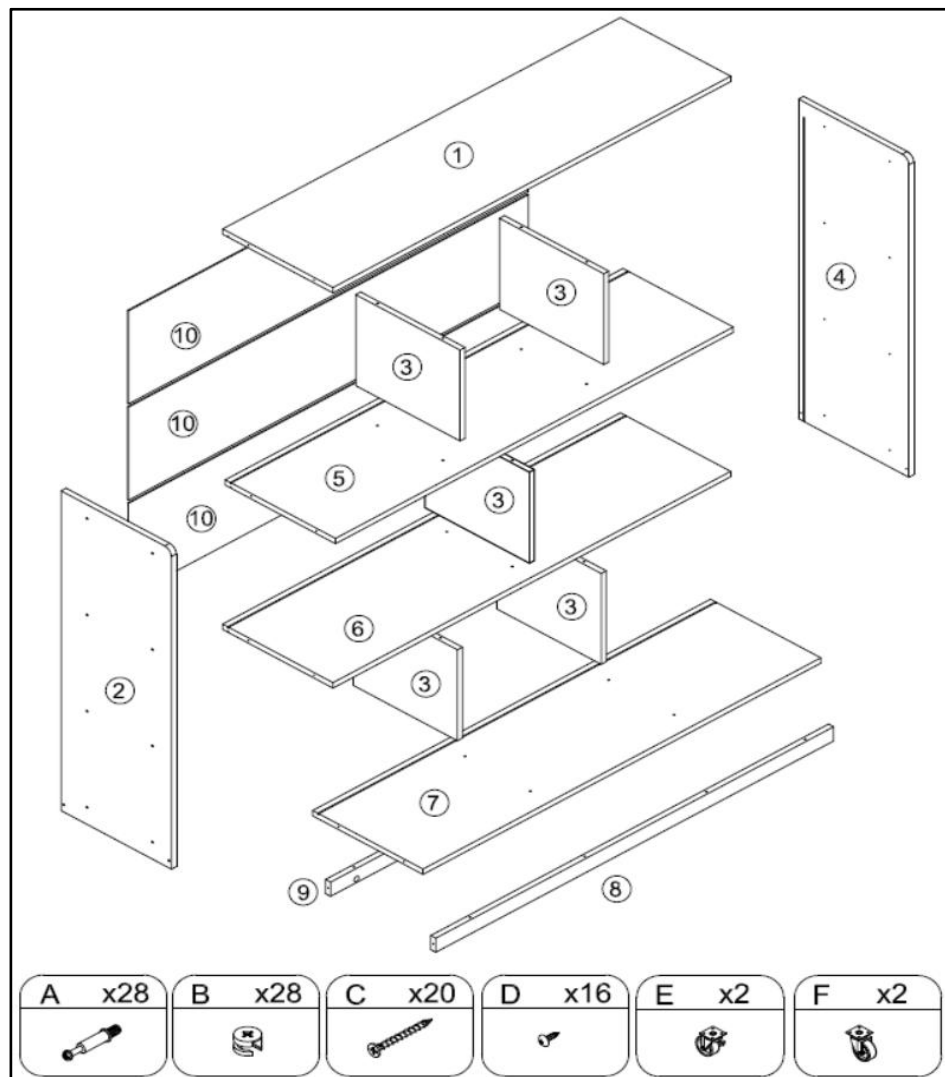
Model	IVY-VVR-003
Storage grid number	8 grid
	6 grid: 385*255*315mm
	2 grid: 585*255*315mm
Product Dimensions (L*W*H)	1220x330x910mm (48*13*36in)
Packing Size (L*W*H)	1315*395*190mm
Net Weight (kg)	35.8
Gross Weight (kg)	38.6

ASSEMBLY ATTENTION

1. Please dispose of all plastic bags carefully and keep them away from children and pets.
2. Check all components provided according to the list in this manual. Make sure you have all of the parts listed.
3. Although paying particular attention when manufacturing this product, you must be careful during the assembly process to avoid being scratched by sharp edges.
4. Wear eye-protective goggles and protective gloves during assembly and use.
5. The product should be placed on a flat surface.
6. The product requires two people to assemble.
7. The product requires the use of a Phillips screwdriver (cross screwdriver **needs** to be purchased by oneself).
8. If uneven product gaps are found, they can be disassembled and adjusted.

Attention: An anti-tipping device must be installed to securely secure the product to the wall (Ensure the reliability of the wall itself).

PACKAGE CONTENTS

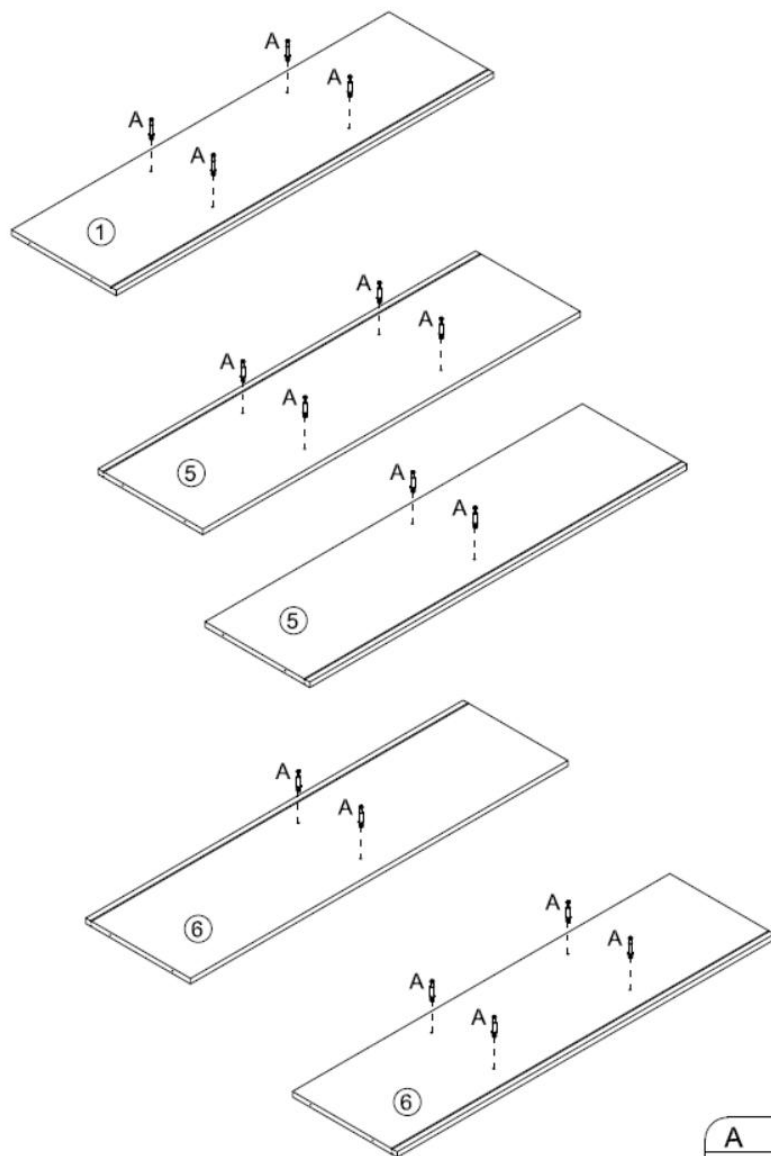


Before starting assembly, please check if you have all the components listed. If you really find something missing, don't continue. Please contact us

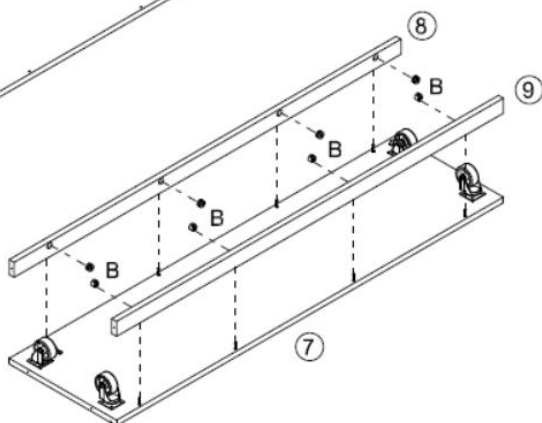
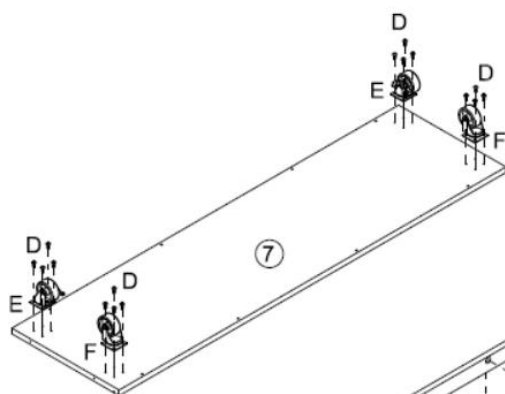
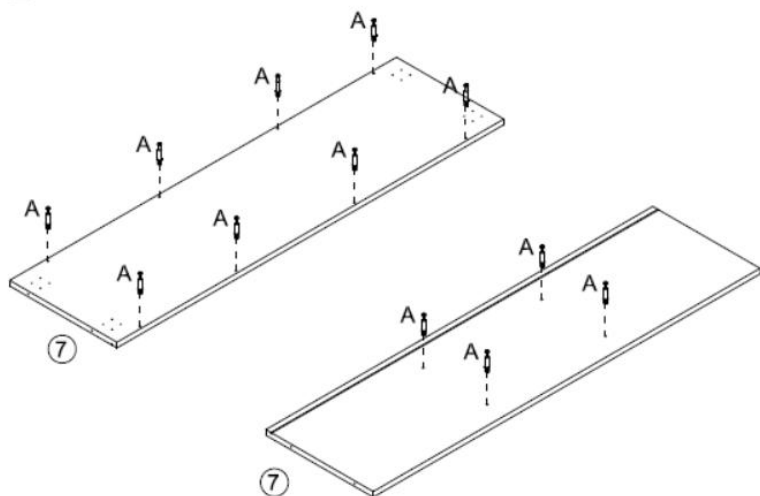
Note: the quantity of parts shown in the manual is the actual usage and the unused parts are spare parts.






INSTALLATION STEPS

Step 1

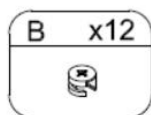
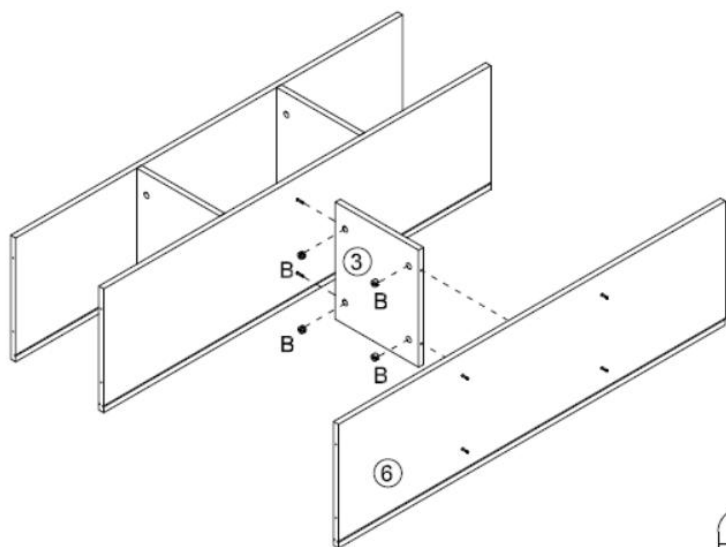
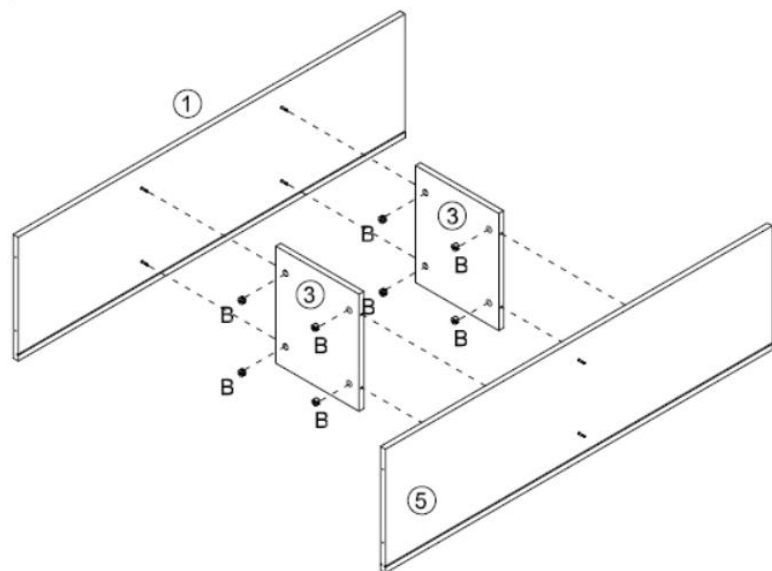


Step 2

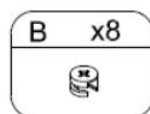
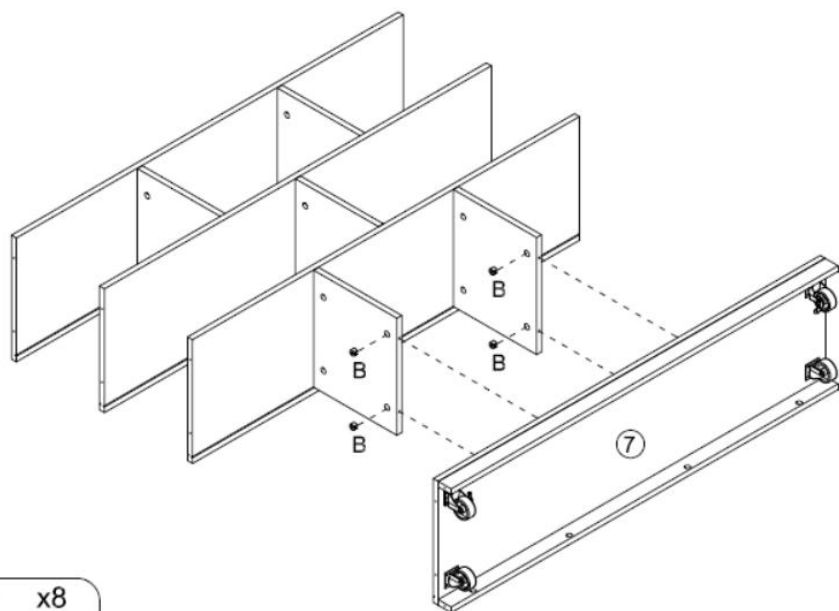
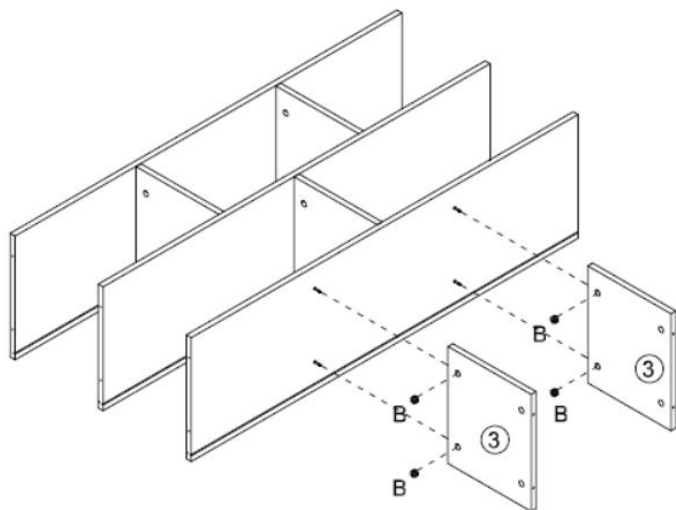


A x12	B x8	D x16	E x2	F x2
				

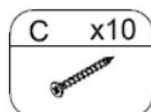
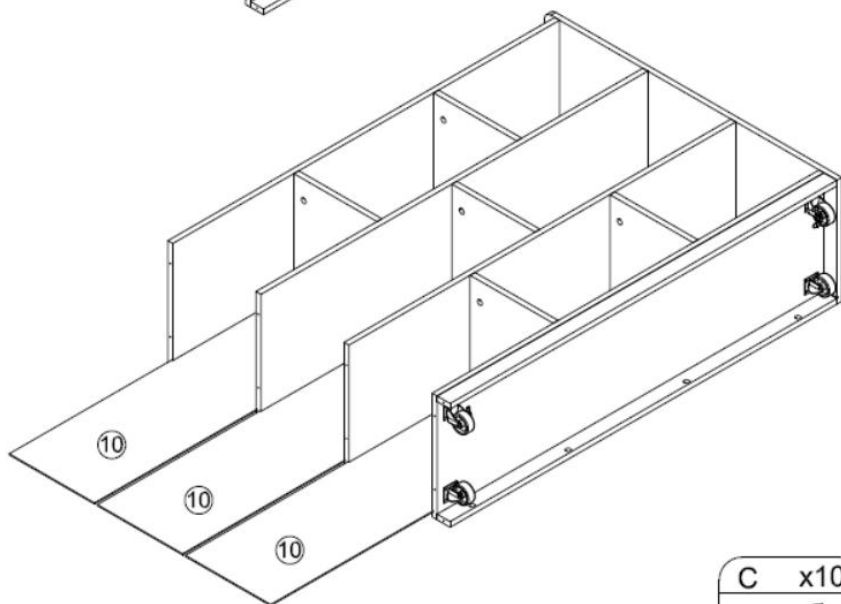
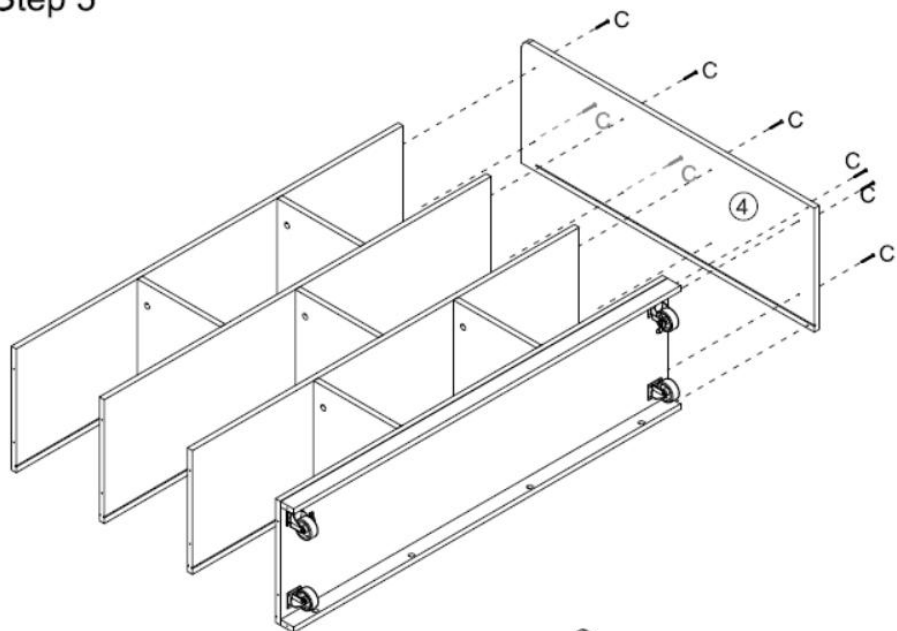
Step 3



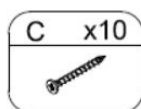
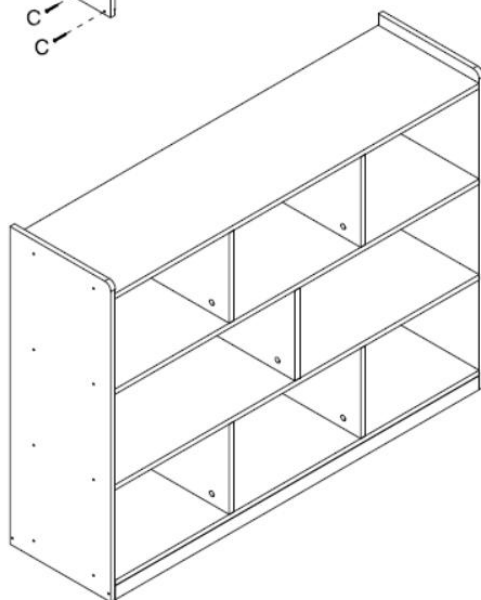
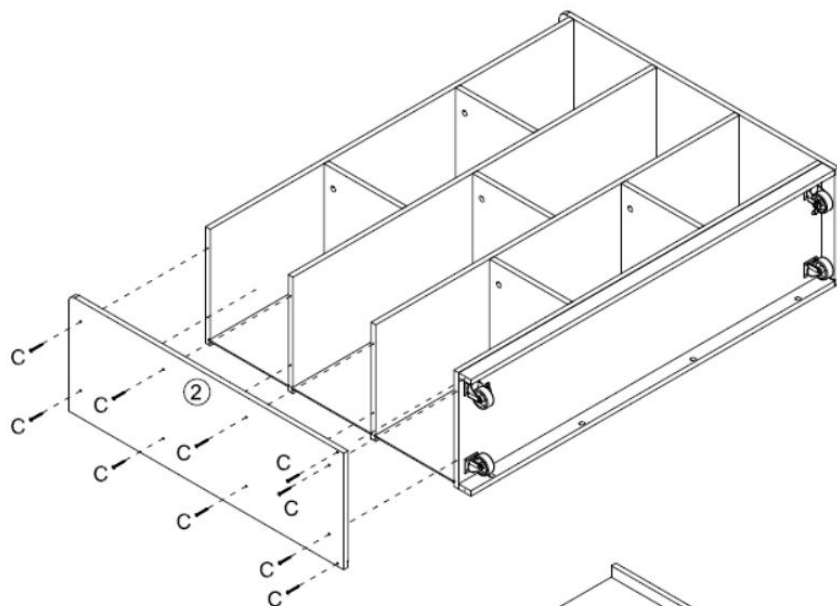
Step 4



Step 5



Step 6



In the interest of our environment please dispose of all packaging thoughtfully.

INSTRUCTIONS FOR USE

1. Please place it on a flat and spacious ground for use, do not place it on water or permeable surfaces, uneven or rough surfaces, slopes, etc.
2. Before use, please check whether all components are secure, whether the product is shaking, and make adjustments.
3. During use, please regularly or irregularly check whether all components are loose. If any, please tighten them in

FAULT ANALYSIS AND TROUBLESHOOTING

Fault phenomenon	Cause analysis	Exclusion method
Folding armchair shaking instability	<ol style="list-style-type: none">1. The nuts were not tightened during installation, and the components did not fit properly.2. The ground is uneven	<ol style="list-style-type: none">1. Tighten the nuts and adjust the position of the components to ensure that they are securely installed.2. Use in a flat indoor environment.

Warning

1. Only adults are allowed to install and children are not allowed to approach.
2. Before use, please check whether the product is damaged.
3. If there is any damage, please do not use it. Please assemble and use it correctly according to the assembly sequence.
4. Please place the installation on a flat and spacious ground.
5. Please keep the packaging bag away in a timely manner to avoid indoor breathing caused by children playing with it.
6. Before use, please check whether all parts are installed in place and connected tightly.
7. Note: Use only under direct adult supervision. When cleaning, please use a soft cloth to wipe and keep this product away from fire.

Manufacturer: Shanghaimuxinmuyeyouxiangongsi

Address: Shuangchenglu 803nong11hao1602A-1609shi, baoshanqu, shanghai 200000 CN.

Imported to AUS: SIHAO PTY LTD. 1 ROKEVA STREETEASTWOOD NSW 2122 Australia

Imported to USA: Sanven Technology Ltd. Suite 250, 9166 Anaheim Place, Rancho Cucamonga, CA 91730

EC	REP
-----------	------------

E-CrossStu GmbH
Mainzer Landstr.69, 60329 Frankfurt am Main.

UK	REP
-----------	------------

YH CONSULTING LIMITED.
C/O YH Consulting Limited Office 147, Centurion House, London Road, Staines-upon-Thames, Surrey, TW18 4AX

VEVOR[®]

TOUGH TOOLS, HALF PRICE

Technical Support and E-Warranty Certificate

www.vevor.com/support