

## ASSEMBLY & INSTALLATION

*Please read carefully and save these instructions, as you may need them at a later date.*

**IMPORTANT SAFETY INSTRUCTIONS:** This product has a polarized plug (one blade is wider than the other) as a feature to reduce the risk of electric shock. This plug will fit in a polarized outlet only one way. If the plug does not fit fully in the outlet, reverse the plug. If it still does not fit, contact a qualified electrician. Never use with an extension cord unless plug can be fully inserted. Do not alter the plug.

---

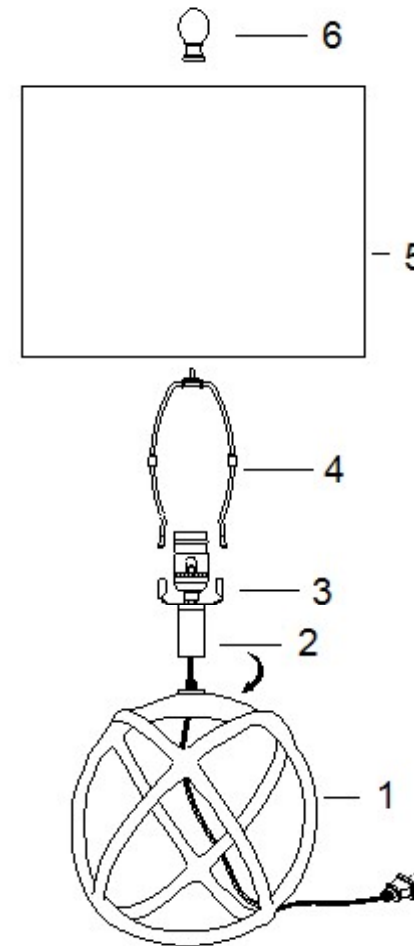
### GENERAL

Remove the lamp and from the box and make sure that no parts are missing by referencing the illustrations on the installation instructions.

---

### ASSEMBLY AND INSTALLATION

1. Fasten the Socket Assembly(2) onto the LAMP BASE(1).  
Be careful not to twist the power cord, tighten securely.
2. Place HARP( 4 ) onto saddle(3).
3. Put SHADE ( 5 ) onto HARP ( 4 ) and tighten with FINIAL ( 6 ).
4. Screw a light bulb into the lamp socket and make sure it does not exceed the maximum wattage specified on the lamp wattage rating label, **MAXIMUM 60 WATT**



1. LAMP BASE
2. SOCKET ASSEMBLY
3. SADDLE
4. HARP
5. SHADE
6. FINIAL