







ASSEMBLY INSTRUCTION FOR

FURNITURE


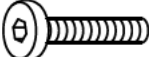

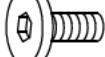
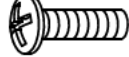





Thank you for purchasing the quality product. Be sure to check all packing material carefully for small parts which may have come loose inside the cation during shipment. Seperate, identify and count all parts and metal hardware. Compare with all parts list to be sure all parts are present. If any part(s) are missing or damaged, please contact your local furniture dealer. For efficient and speedy service, please indicate the model number and code letter of part(s) needed.

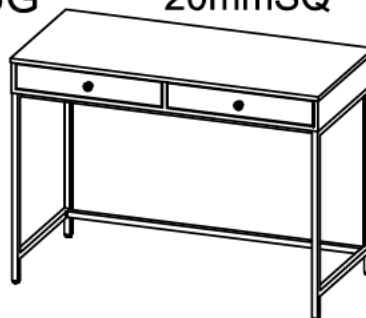
*** Do not fully tighten screws until fully assembled ***

COMPONENT PARTS

DESCRIPTION	PART NAME	QTY (PCS)	DESCRIPTION	PART NAME	QTY (PCS)
①	TOP BOX 	1	④	FRONT FRAME 	1
②	LEFT FRAME 	1	⑤	BACK FRAME 	1
③	RIGHT FRAME 	1	⑥	CROSS FRAME 	1

HARDWARE REQUIRED

①		ALLEN KEY		1 PC
②		BOLT	φ1/4"*38mm	2 PCS
③		BOLT	φ1/4"*32mm	6 PCS
④		BOLT	φ1/4"*12mm	10 PCS
⑤		BOLT	φ5/32"*38mm	2 PCS
⑥		WASHER	φ5/32"*13mm	2 PCS
⑦		WASHER	φ1/4"*16mm	6 PCS
⑧		KNOB		2 PCS
⑨		LEVELER	φ20mm	4 PCS
⑩		NUT PLUG	20mmSQ	4 PCS

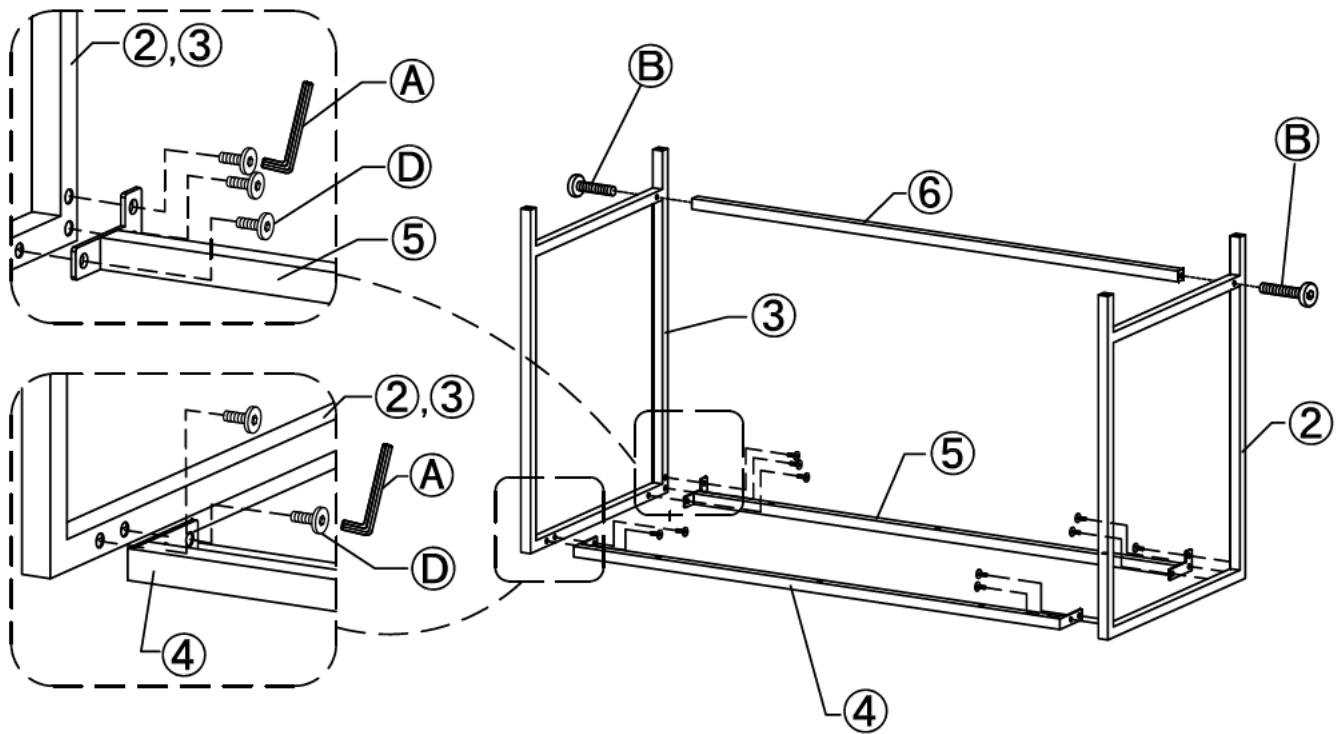


Attention

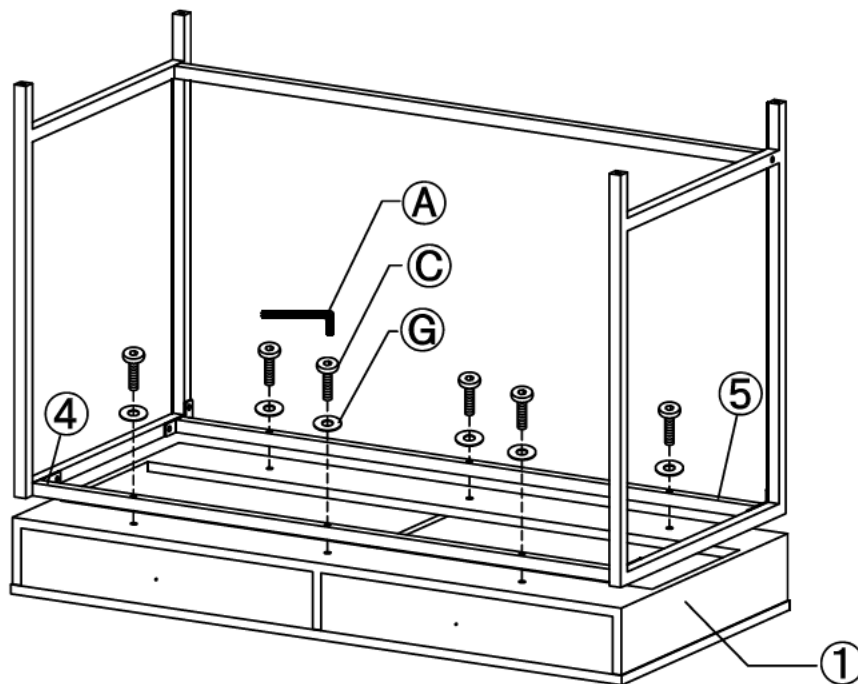
*** Some number parts listed on the instruction sheet may not be in parts bag as they may already be assembled. Carefully check parts and packing materials prior to ordering replacements.

How to assemble:

STEP 1

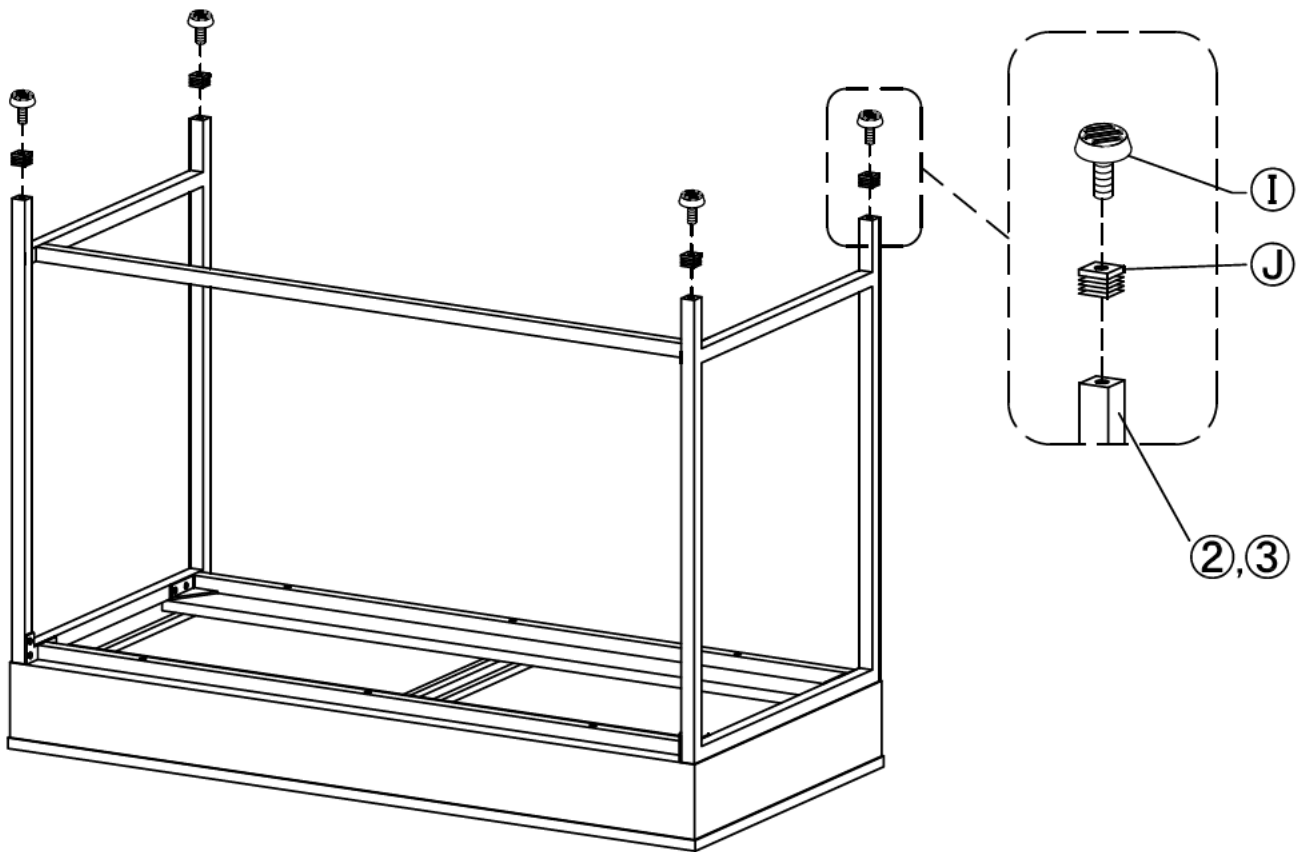


STEP 2



****Center align the frames, and then fully tighten the bolts.**

STEP 3



STEP 4

