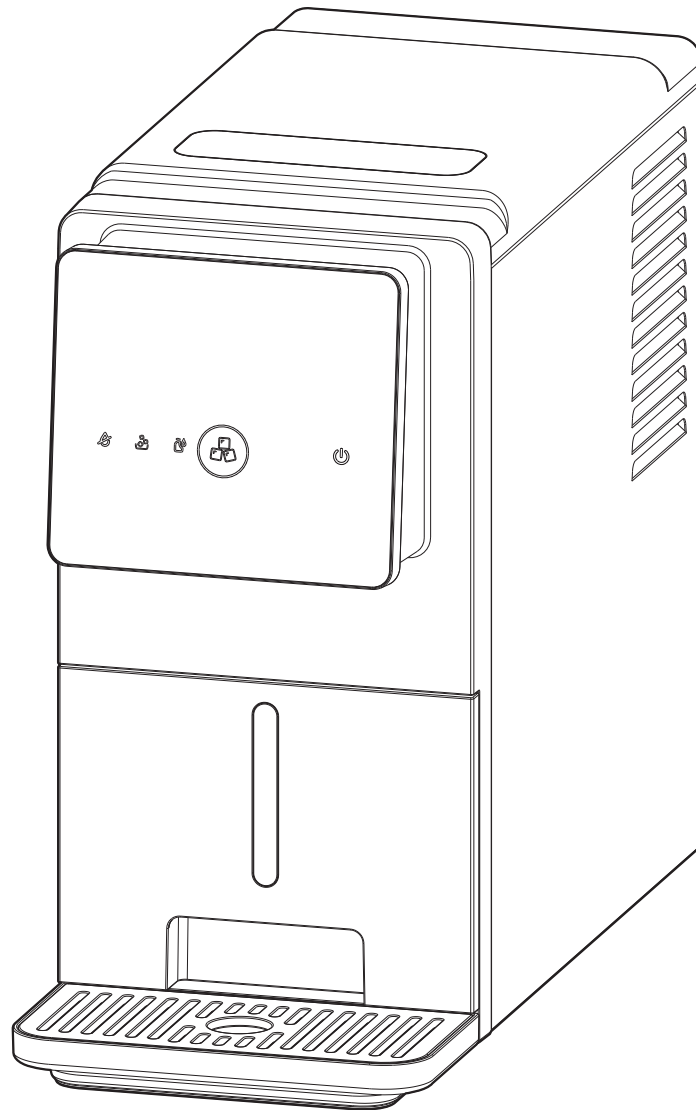


ICE MAKER

User Manual



Model No.: HZB-15DN

Read this booklet thoroughly before using and save it for future reference



Scan the QR code to watch the product videos



Web: www.electacticshop.com



Email: service@electacticshop.com

IMPORTANT SAFETY INSTRUCTIONS

Intended Use

- Kitchen areas in shops, offices, or other working environments
- Farmhouses, hotels, motels, and other residential environments
- Bed-and-breakfast type environments
- Catering and similar non-retail applications


General Safety Precautions

- Do not use or operate the ice maker if the power cord is damaged.
- Always use a proper power outlet with reliable grounding, and ensure the plug is fully inserted.
- Do not cover the power cord. Keep it away from walkways and do not immerse it in water.
- Extension cords are not recommended as they may cause overheating or fire. If necessary, use an extension cord with a minimum cross-sectional area of 1.5 mm².
- Always disconnect the power supply before cleaning or servicing the appliance.
- Children should use the appliance only under adult supervision.
- Do not use flammable liquids to clean the ice maker, as this may cause fire or explosion.
- Do not overturn the ice maker. If the unit is tilted, place it upright for at least 2 hours before turning it on again.
- In winter, if moved from outdoors to indoors, wait several hours before powering on to allow temperature stabilization.

Other Safety Precautions

Your personal safety and the safety of others are extremely important.

We have provided many important safety instructions regarding this ice maker. Please read and follow them carefully.

This is the safety alert symbol: 
All safety warnings will follow this symbol and the words DANGER or WARNING.
If you do not follow these instructions, you could be seriously injured.

All safety instructions describe potential hazards, how to reduce the risk of injury, and the possible consequences of ignoring the warnings.

- ⚠️ **WARNING:** The refrigerant used in this product is flammable. During maintenance, keep away from fire sources and ensure proper ventilation.
- **WARNING:** Keep the surrounding area free from obstructions to maintain adequate ventilation.
- **WARNING:** Do not damage the refrigeration circuit of the machine.
- **WARNING:** No electrical appliances should be used inside the food storage compartment of this machine unless they are recommended by the manufacturer.
- **WARNING:** The insulation material of the cabinet contains cyclopentane, which is flammable. Keep away from fire sources. Do not incinerate. Disposal should be carried out by qualified personnel.
- **WARNING:** Do not store explosive substances such as aerosol cans with flammable propellants inside the appliance.
- **WARNING:** Fill with drinking water only.
- **WARNING:** The refrigeration system contains high-pressure refrigerant. Do not tamper with the system. Repairs should be carried out only by qualified technicians.
- **WARNING:** If the power cord is damaged, it must be replaced by the manufacturer, its service agent, or similarly qualified personnel to avoid hazards.

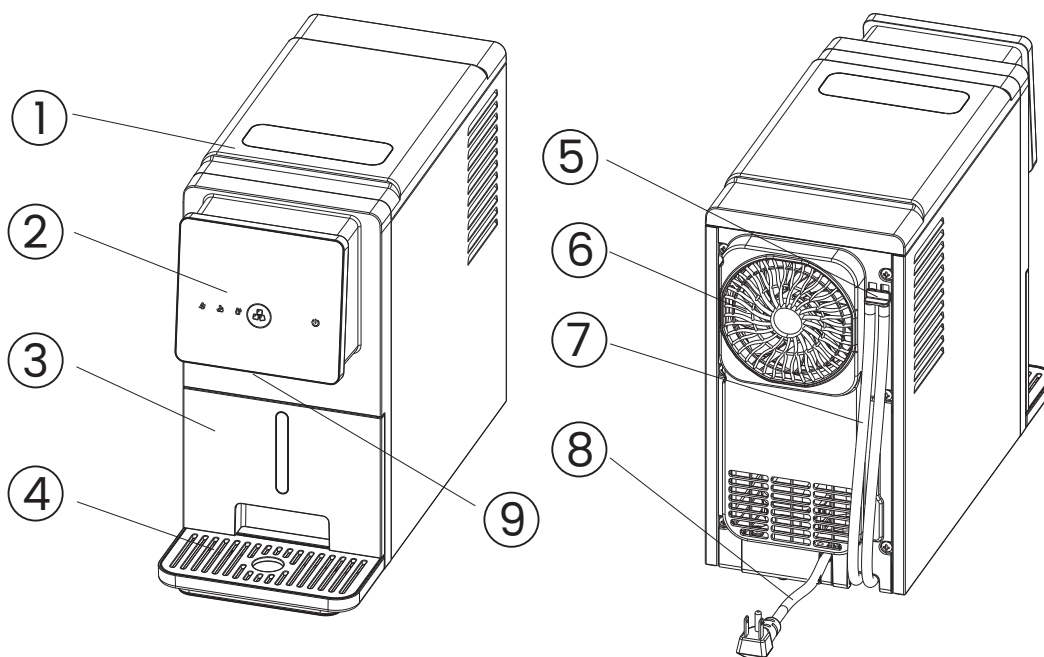
IMPORTANT SAFETY INSTRUCTIONS

This equipment has been tested and found to comply with the limits for a Class B digital device, pursuant to Part 15 of the FCC Rules. These limits are designed to provide reasonable protection against harmful interference in a residential installation. This equipment generates, uses and can radiate radio frequency energy and, if not installed and used in accordance with the instructions, may cause harmful interference to radio communications. However, there is no guarantee that interference will not occur in a particular installation. If this equipment does cause harmful interference to radio or television reception, which can be determined by turning the equipment off and on, the user is encouraged to try to correct the interference by one of the following measures:

- Reorient or relocate the receiving antenna.
- Increase the separation between the equipment and receiver.
- Connect the equipment into an outlet on a circuit different from that to which the receiver is connected.
- Consult the dealer or an experienced radio/TV technician for help.

In order to comply with FCC RF Exposure requirements, this device must be installed to provide at least 20 cm separation from the human body at all times.

GETTING TO KNOW YOUR ICE MAKER



① Top Cover

② Control Panel

③ Water Tank

④ Drip Tray

⑤ Drain Plug

⑥ Air Outlet

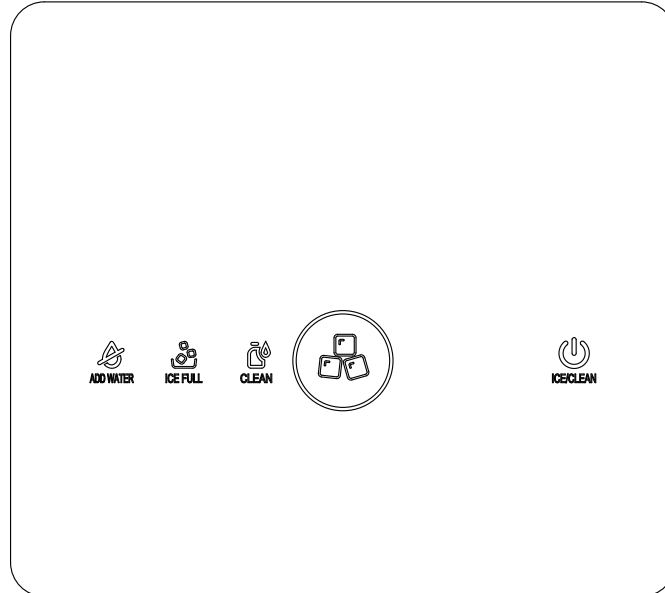
⑦ Drain Hose

⑧ Power Plug

⑨ Ice Outlet

GETTING TO KNOW YOUR ICE MAKER

Control Panel and Display Area



Ice/Clean Button

When plugged in, the icon lights **red**.

Press once to start ice-making; the icon turns **white**.

Press and hold for more than 5 seconds: the icon stays **white** and the **Cleaning** indicator lights up, activating the automatic cleaning function.

Ice Dispense Button & Indicator

When plugged in, the entire icon lights up.

Press once: ice cubes will automatically be released, and the outer ring will display a rotating light effect.

Press again to stop dispensing.

Cleaning Indicator

Lights up when the automatic cleaning function is activated.

Ice Full Indicator

Lights up when the ice basket is full.

Add Water Indicator

Lights up when the machine runs out of water.

BEFORE FIRST USE

Unpacking

1. Remove all internal and external packaging. If any accessories are missing, contact customer service.
2. Place the ice maker in a location away from direct sunlight and heat sources. Allow 15 cm clearance on both sides and back.
3. Ensure the installation location has a suitable power outlet.

Power Supply

⚠ DANGER: Electric Shock Hazard
Incorrect use of the grounding wire may cause electric shock. If the power cord is damaged, contact after-sales service immediately.

1. For safety, the ice maker must be properly grounded.
2. The appliance requires a standard 120V/60Hz grounded power supply.

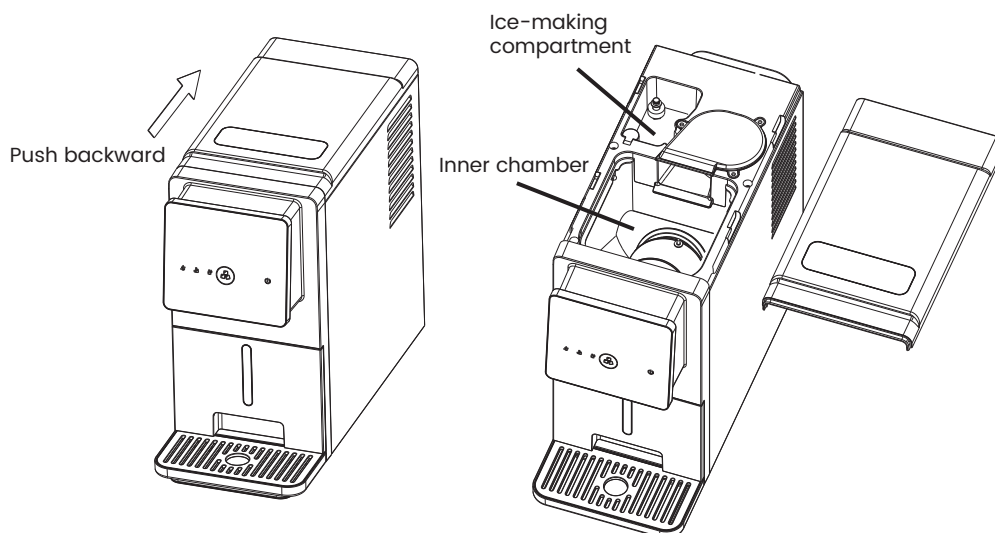
Cleaning the Ice Maker

Before first use, it is strongly recommended to thoroughly clean the entire machine:

1. Remove the water tank and push the top cover backward to open.
2. Wipe the inner chamber and ice-making compartment with warm water and a soft cloth.
3. After cleaning, use a dry soft cloth to wipe the chamber thoroughly.
4. Clean the exterior regularly with diluted detergent and warm water.
5. Clean the water tank, drain the water completely, then reinstall the drain hose and drain plug.

Note: When not in use for extended periods, drain all water and ensure the interior is completely dry.

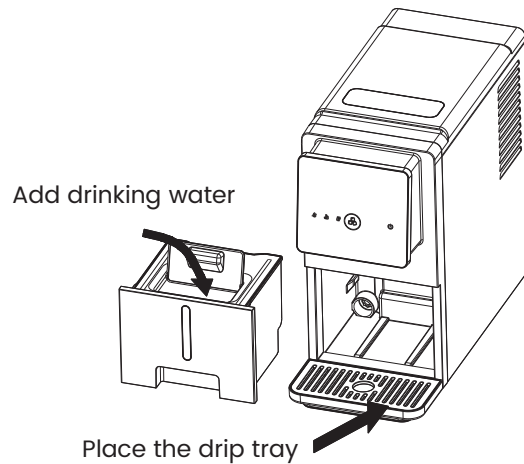
6. Reinstall the top cover securely to its original position after cleaning.



USING YOUR UNIT

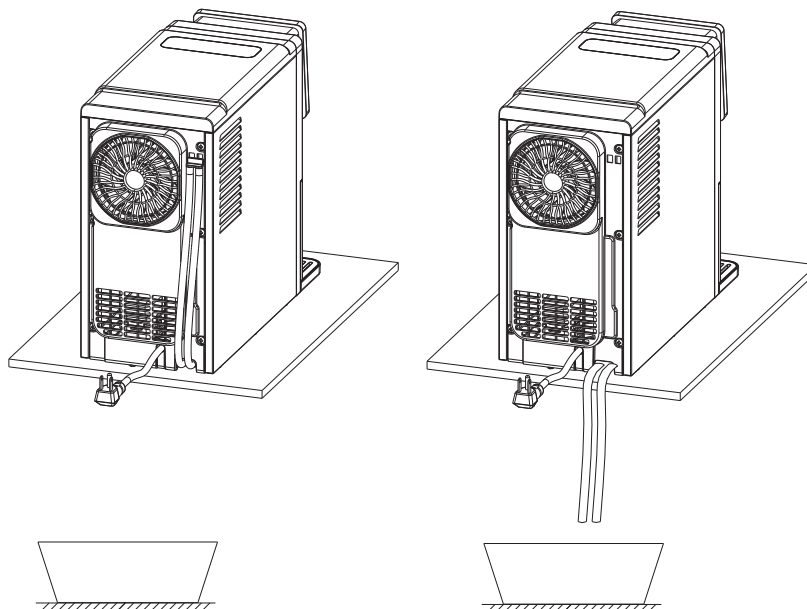
Preparation

1. Pull out the water tank, open the water inlet cover, and fill with drinking water (max 1.8 L). Reinsert properly.
2. Place the drip tray beneath the machine.



Cleaning Operation

1. Before first use or if the machine has not been cleaned for a long time, it is recommended to run a cleaning cycle before making ice. (Fill the water tank with water before cleaning.)
2. Before starting the cleaning program, check and make sure that the drain hose is sealed with the drain plug and secured at the back of the unit.
3. Press and hold the Ice/Clean button for more than 5 seconds: the indicator turns from red to white, and the Clean indicator lights up. The automatic cleaning cycle will start and end automatically after 20 minutes, then the unit enters standby mode. If the button is pressed again during cleaning, the cycle stops immediately.
4. After cleaning, wastewater must be drained manually. Place a container underneath, remove the drain hose, pull out the drain plug, and let the water flow into the container. After draining, reinsert the plug and return the unit to its working position. (See figure below.)



USING YOUR UNIT

Note: It's suggested to replace the water every 24 hours to keep it fresh. If the ice maker will not be used for an extended period, drain all remaining water.

Ice-Making Operation

1. Before starting, check and make sure that the drain hose is sealed with the drain plug and secured at the back of the unit.
2. Press the Ice/Clean button once: the icon lights up white, and ice-making begins. Press again to stop ice-making and enter standby mode.
3. For first-time use or after long-term storage, run a cleaning cycle before ice-making. Discard ice produced during the first hour, and use only ice made afterwards.
4. During operation, if the Add Water indicator lights up, the unit will stop. Add water to the water tank. It is recommended to turn the unit off and restart it after adding water; otherwise, the machine may take longer to resume ice-making. After restarting, the compressor will wait 3 minutes before operating.

Ice Dispensing Function

Press the Ice Dispense button. The outer light rotates, the pusher turns, and ice drops from the outlet. Press again to stop. A sufficient amount of ice is required for proper dispensing. Dispensing automatically stops after 60 seconds.

Lighting Function

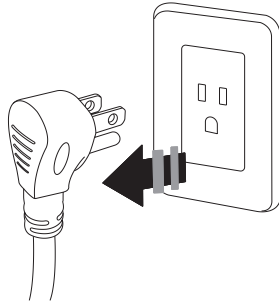
The ice maker uses radar sensing technology to automatically control the light. When the radar detects human presence, the light turns on automatically. About 30 seconds after the person leaves, the light turns off automatically. The sensing distance may vary depending on the model and environment.

Ice Full

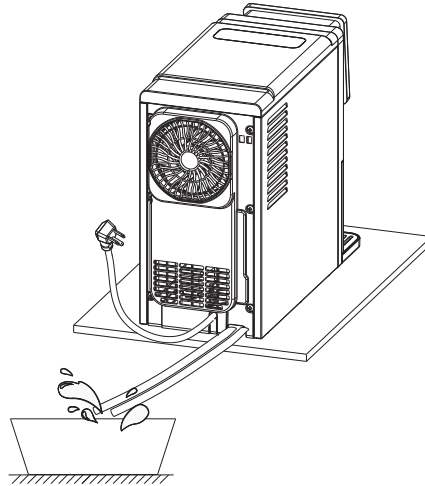
When the ice basket is full, the machine stops automatically, and the Ice Full indicator lights up. Remove ice to resume operation.

SYSTEM CLEANING/SANITIZING PROCEDURE

1. Unplug the nugget ice maker.

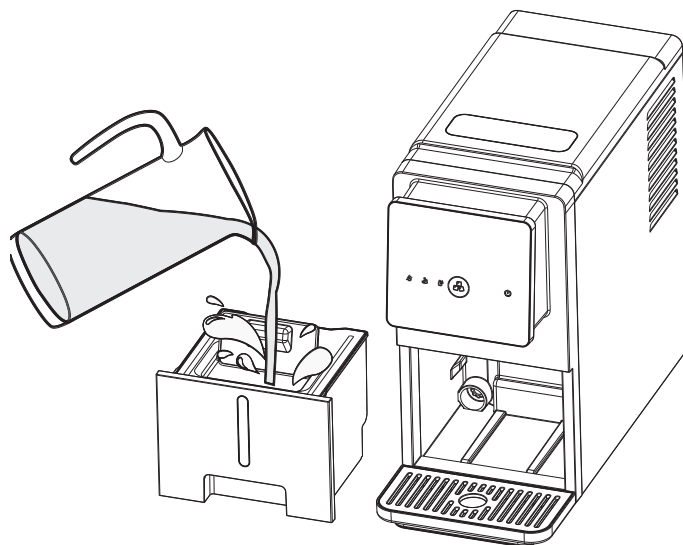


2. Remove the back drain pipe and drain the water into the sink. See the figure below.



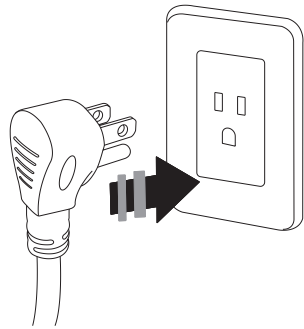
3. For weekly cleaning to remove mineral deposits, please use 100% white vinegar at least 1 L (and then plug in to turn on cleaning function about 5 minutes, after that unplug again to leave the white vinegar in the unit for more than 12 hours).

4. Pour solution (mix ratio 1:5, vinegar:water) into water reservoir (up to 1.8L). See the figure below.

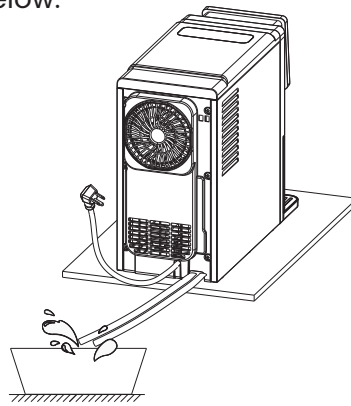


SYSTEM CLEANING/SANITIZING PROCEDURE

5. Press and hold the Ice/Clean button for more than 5 seconds: the indicator turns from red to white, and the Clean indicator lights up, initiating the cleaning process (20mins). See the figure below.

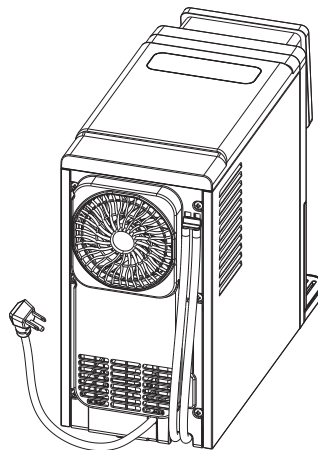


6. When the cleaning is completed and the indicator light is off, remove the back drain pipe and drain the water into the sink. See the figure below.



7. Repeat steps 4 to 6 with fresh water for two more cycles to rinse the inside.

8. Reset the drain pipe after drainage. See the figure below.



9. When completed, fill the unit with fresh water and press the Ice/Clean button to start the ic-making process. See the figure below.



TROUBLESHOOTING

Problem/Indicator	Cause	Solution
The unit fails to operate.	•Float not rising in the ice-making compartment	Open top cover and clean the ice-making compartment
	•Water tank not fully inserted	Reinsert properly until secure
	•No water	Add water, press the Ice/Clean button
	•Water pump failure	Contact service personnel
“Ice Full” light on	•Too much ice	Remove ice or wait until it melts
	•No ice	Remove objects/dust blocking infrared sensor
	•Infrared sensor failure	Press the Ice/Clean button for more than 5 seconds to force ice-making and let the unit run for 50 minutes; Contact service personnel
“Ice/Clean” Indicator flashing red	•Ice jam	Evaporator frozen; power off for 2 hours, then clean the unit
	•Water pump fault	Contact service personnel
	•Refrigeration fault	Contact service personnel
“Ice/Clean” Indicator flashing fast then slow	•Ice jam	Evaporator frozen; power off for 2 hours, then clean the unit
	•Ice pusher fault	Contact service personnel
Leakage	•Drain plug not secured	Insert drain plug properly
	•Water pipe joint loose	Contact service personnel
	•Drain plug worn	Contact service for replacement
Slow ice-making or no ice	•High ambient temperature or high water temperature	Recommended operating environment: below 32 °C (90 °F); Recommended water temperature: 7 °C - 32 °C (45 °F - 90 °F)
	•Refrigerant leak	Contact service personnel

ROWAN ELECTRIC APPLIANCE LLC

**8:30am–5:30pm P.S.T.
Monday to Friday**