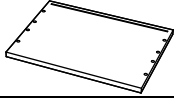
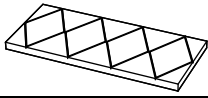
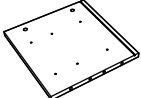
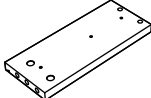
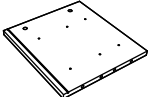
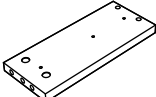
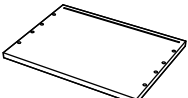

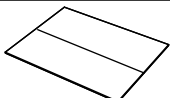
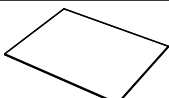


PARTS LIST

PARTS LIST

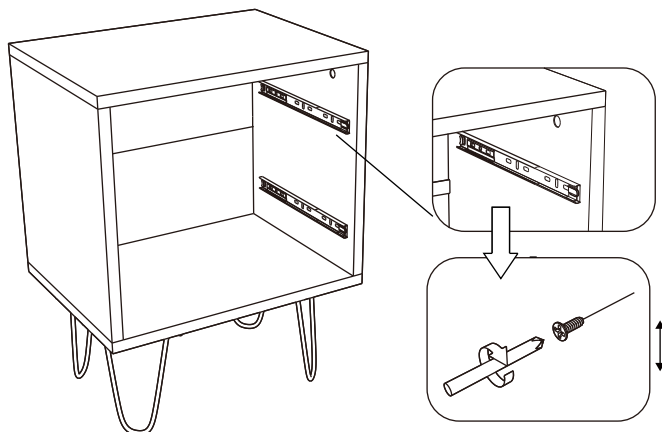
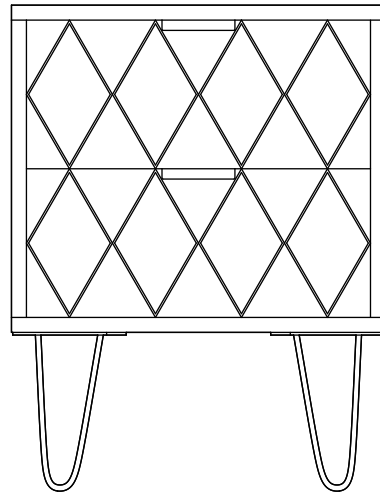
NO.	DESCRIPTION	QTY	NO.	DESCRIPTION	QTY
A		2	F		4
B		2	G		4
C		2	H		4
D		2	I		4
E		2	J		4

Attention!!! Misaligned Drawers

Over time the rails from the drawers can become loose and drawer parts can become misaligned.

Your dresser drawer, for example, might become very difficult to open and close. It happens. Restoring misaligned drawers to like-new performance is well within your abilities.

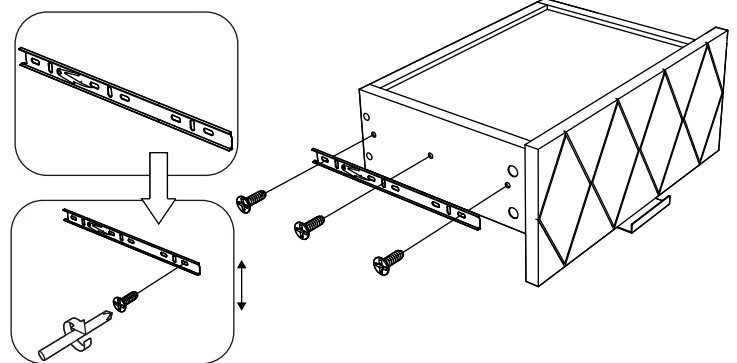
The following are detailed instructions to easily fix misaligned drawers with side mounted guides that don't open or shut properly.



Loosen the guide screw and adjust to make the drawer level.

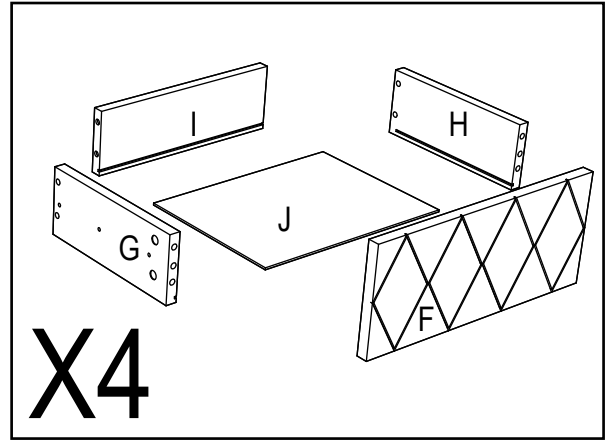
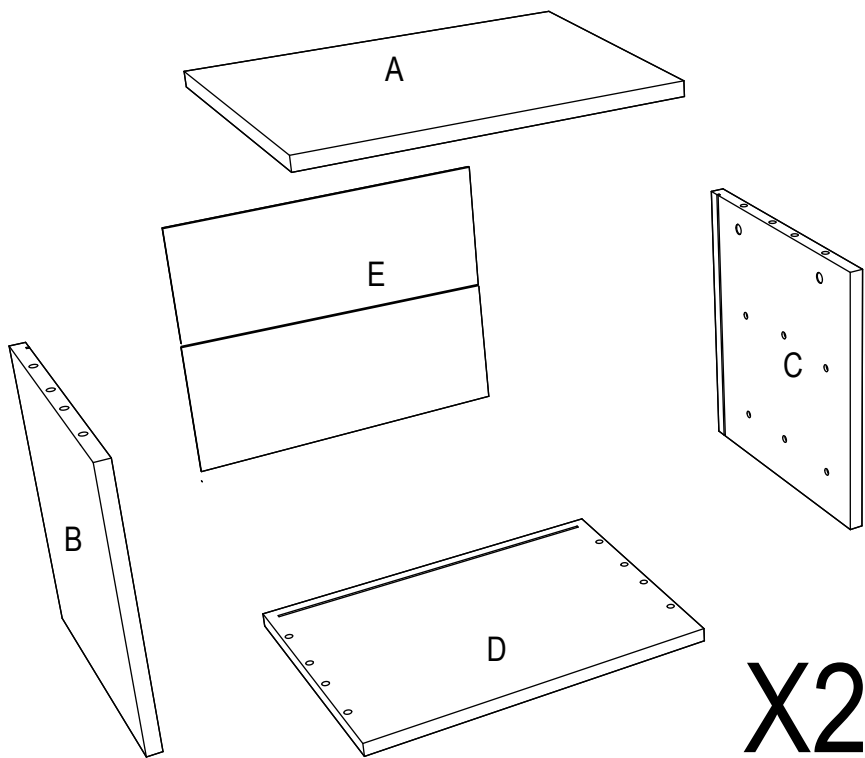
Tighten before reinstalling the drawer

or

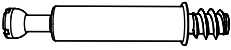


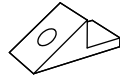

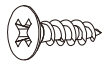

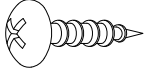
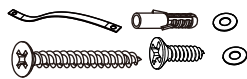
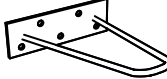
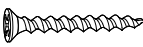
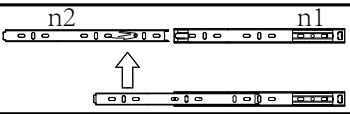
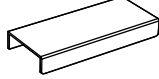



Loosen the guide screw and adjust to make the drawer level.

Tighten before reinstalling the drawer

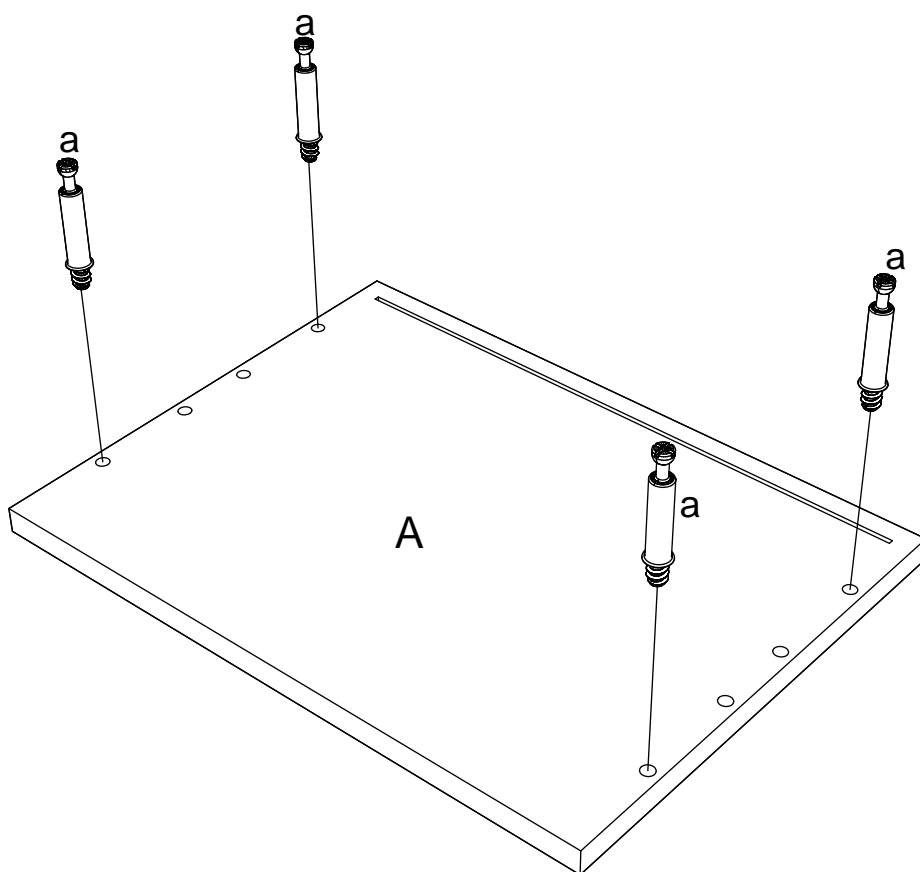
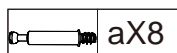


HARDWARE LIST

NO.	DESCRIPTION	QTY	NO.	DESCRIPTION	QTY
a	 Φ6*35	24	i	 Φ3*12	48
b	 Φ15*10	24	j		8
c	 Φ6*30	24	k	 Φ3*16	8
d	 Φ4*40	8	l	 Φ4*12	40
e		2	m		8
f	 Φ4*35	16	n		4
g		4			
h	 Φ4*12	8			

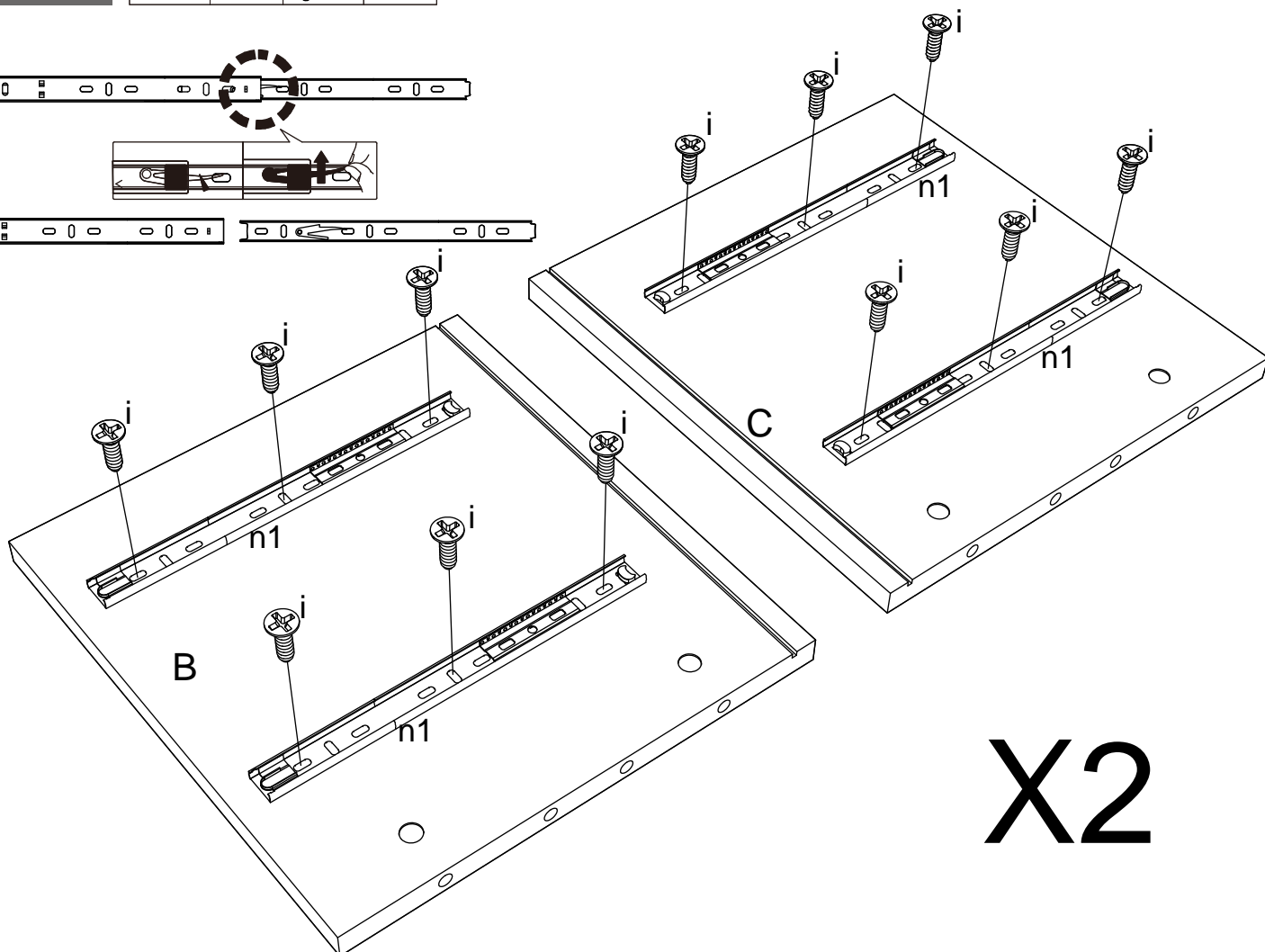
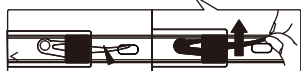
INSTALLATIONS

STEP 1



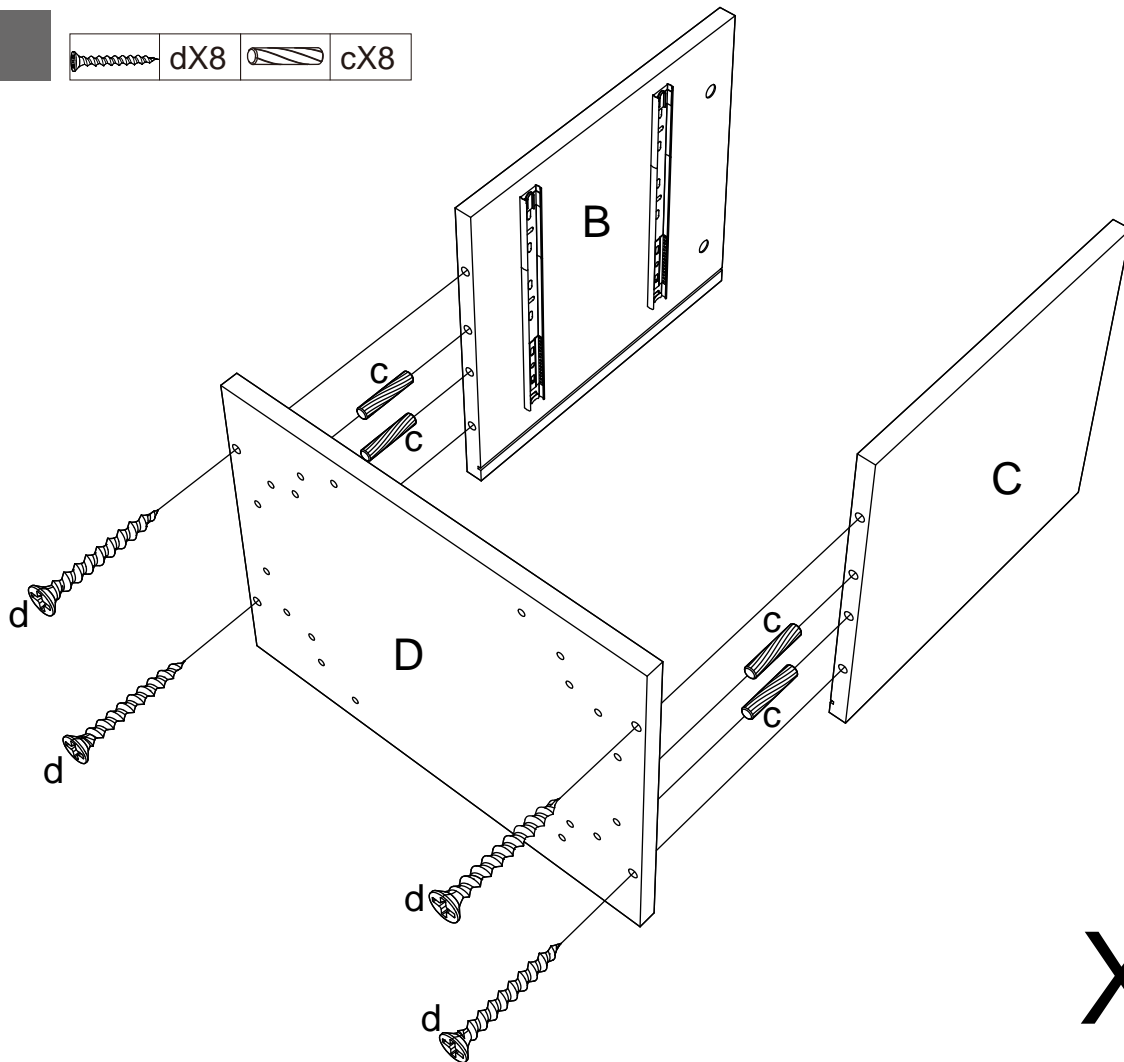
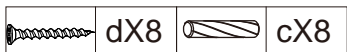
X2

STEP 2



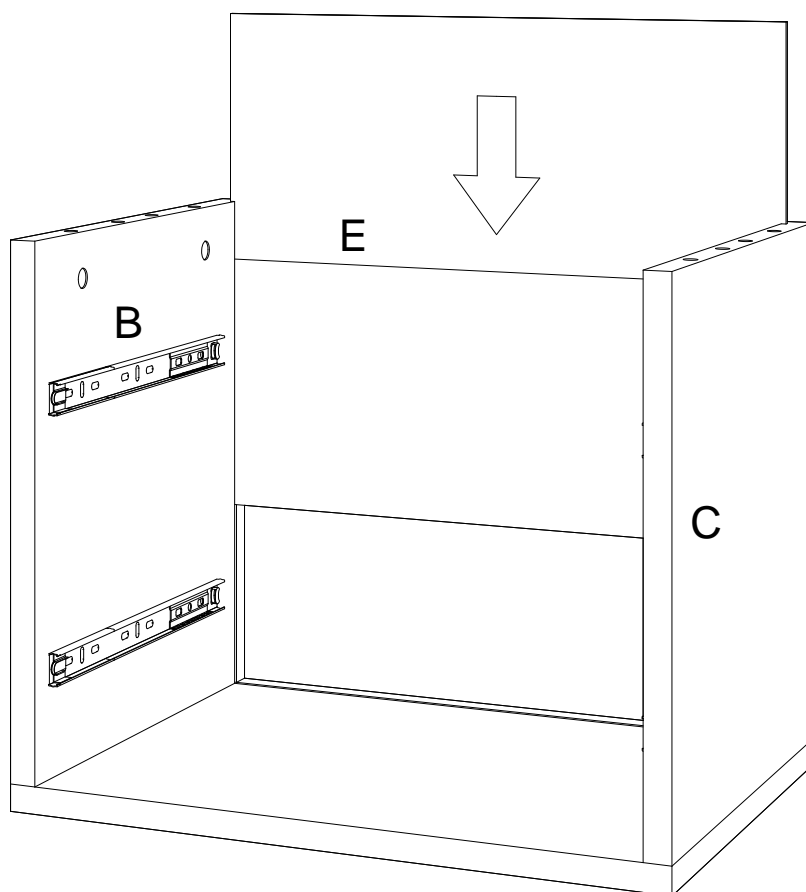
X2

STEP 3



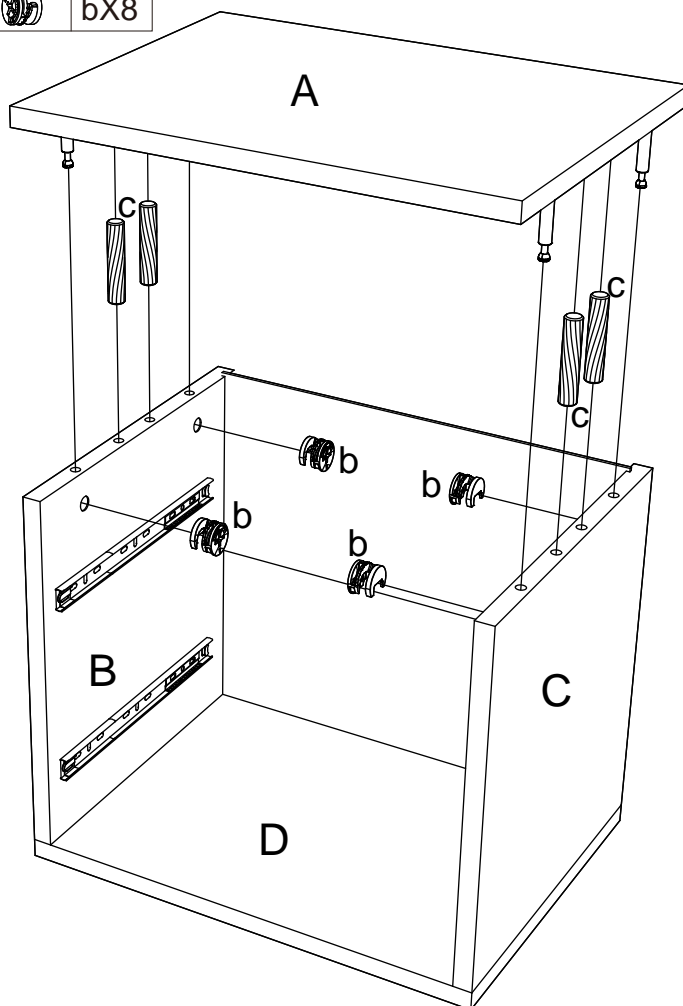
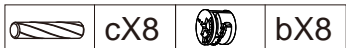
X2

STEP 4



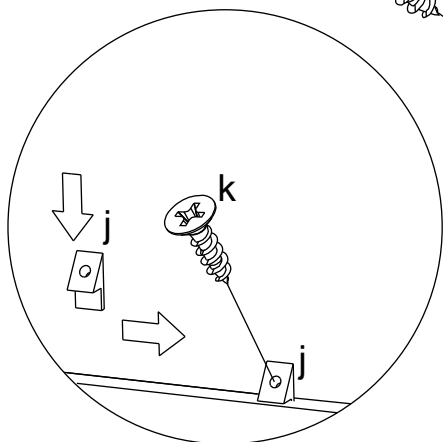
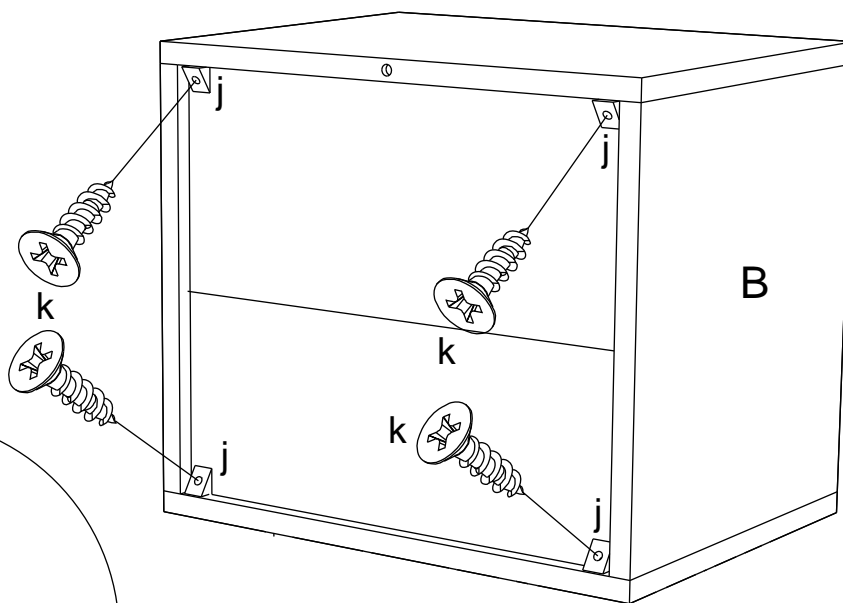
X2

STEP 5



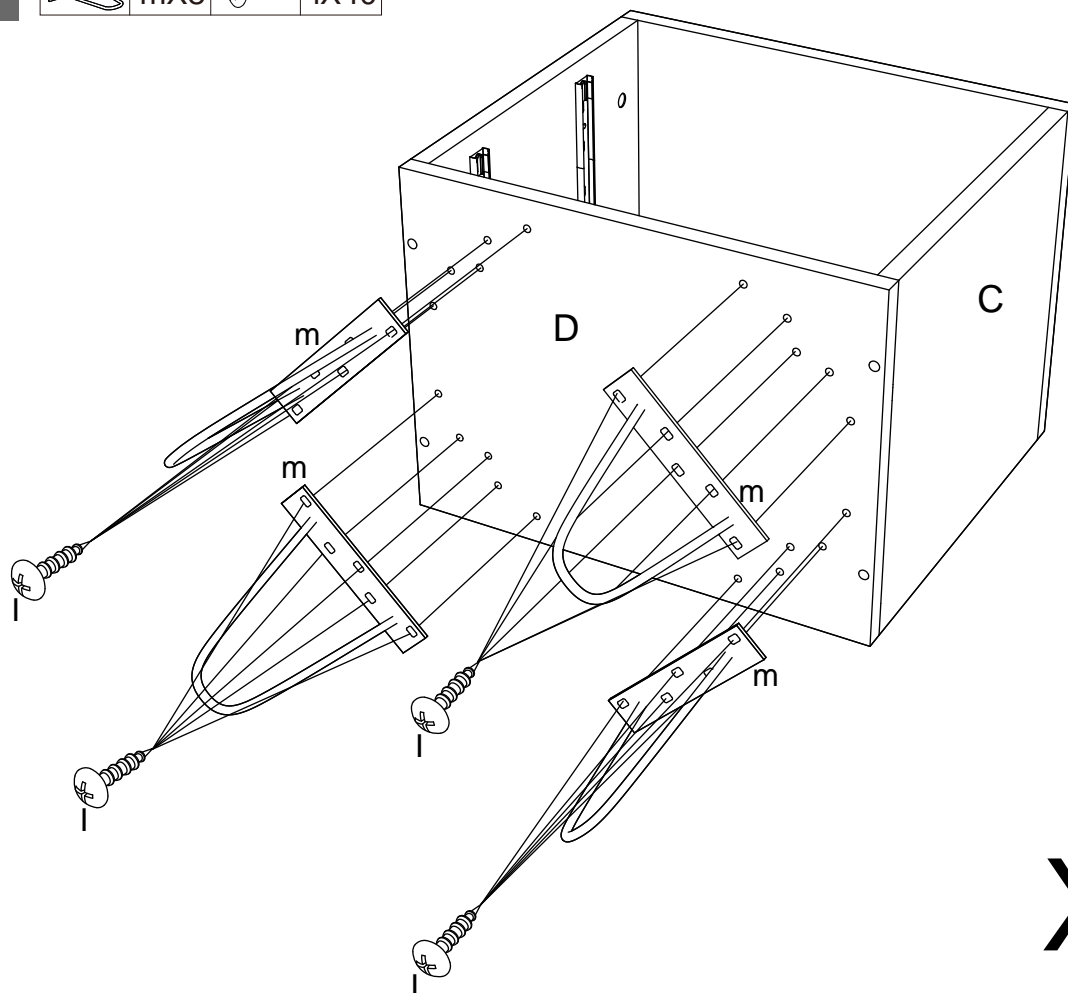
X2

STEP 6



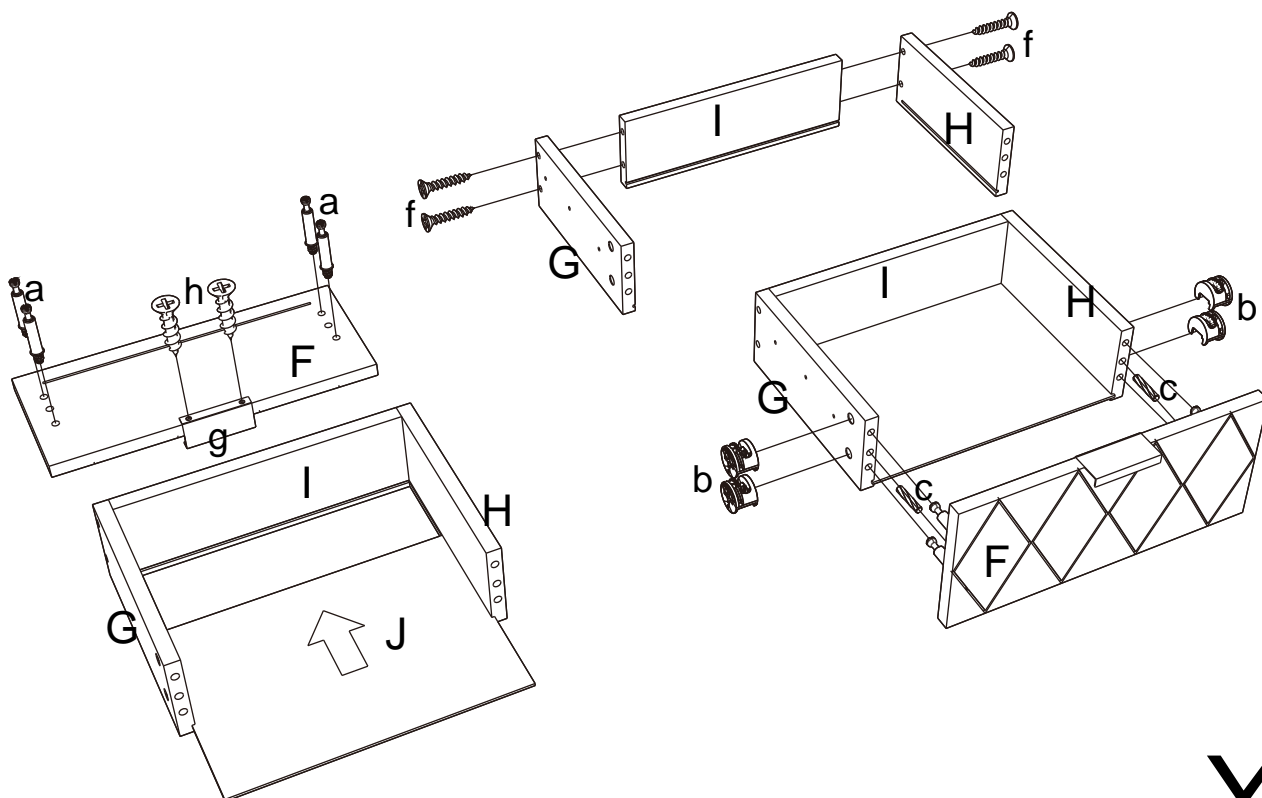
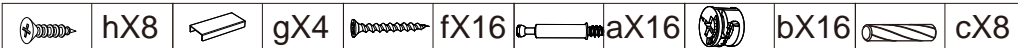
X2

STEP 7



X2

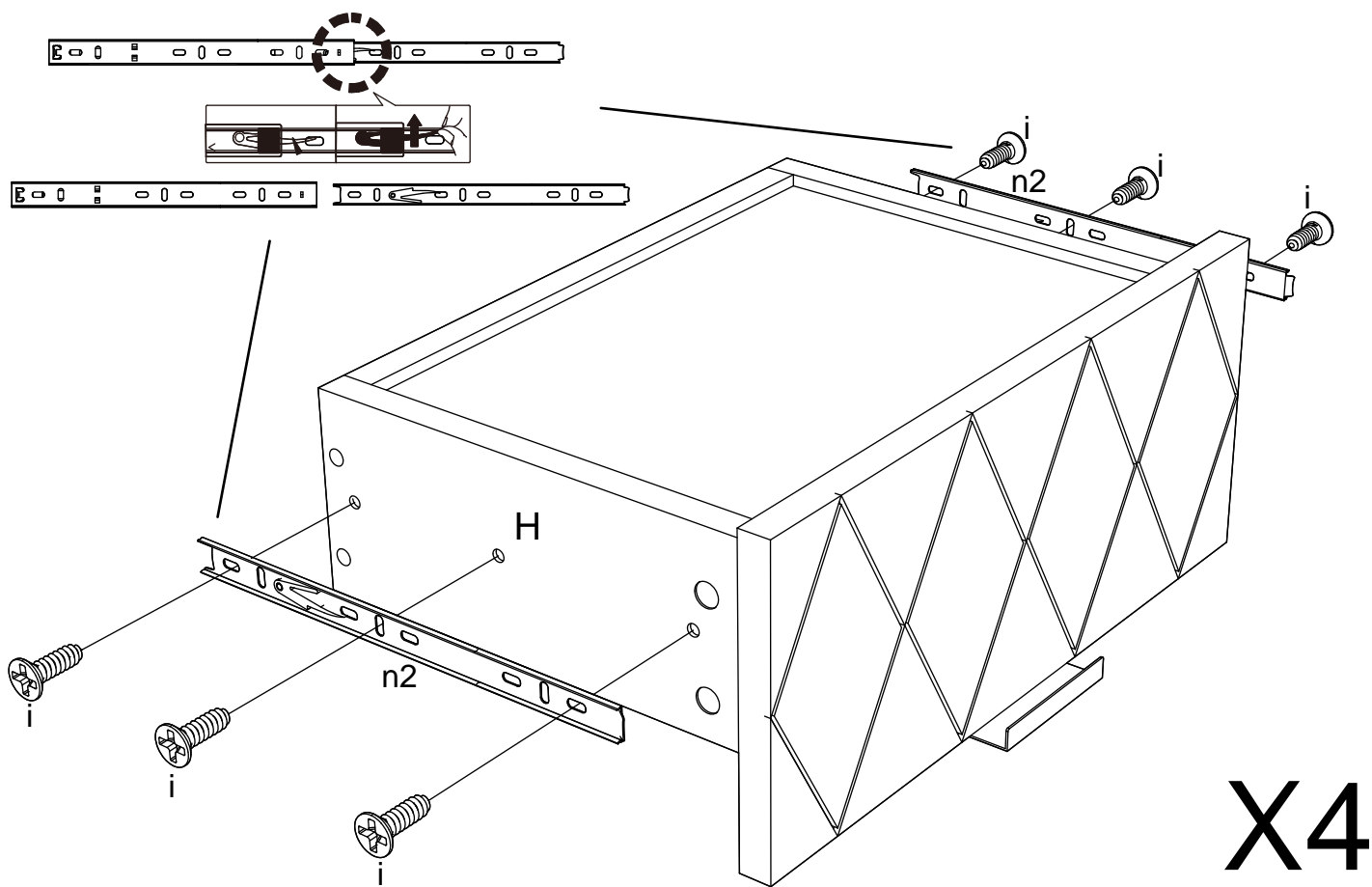
STEP 8



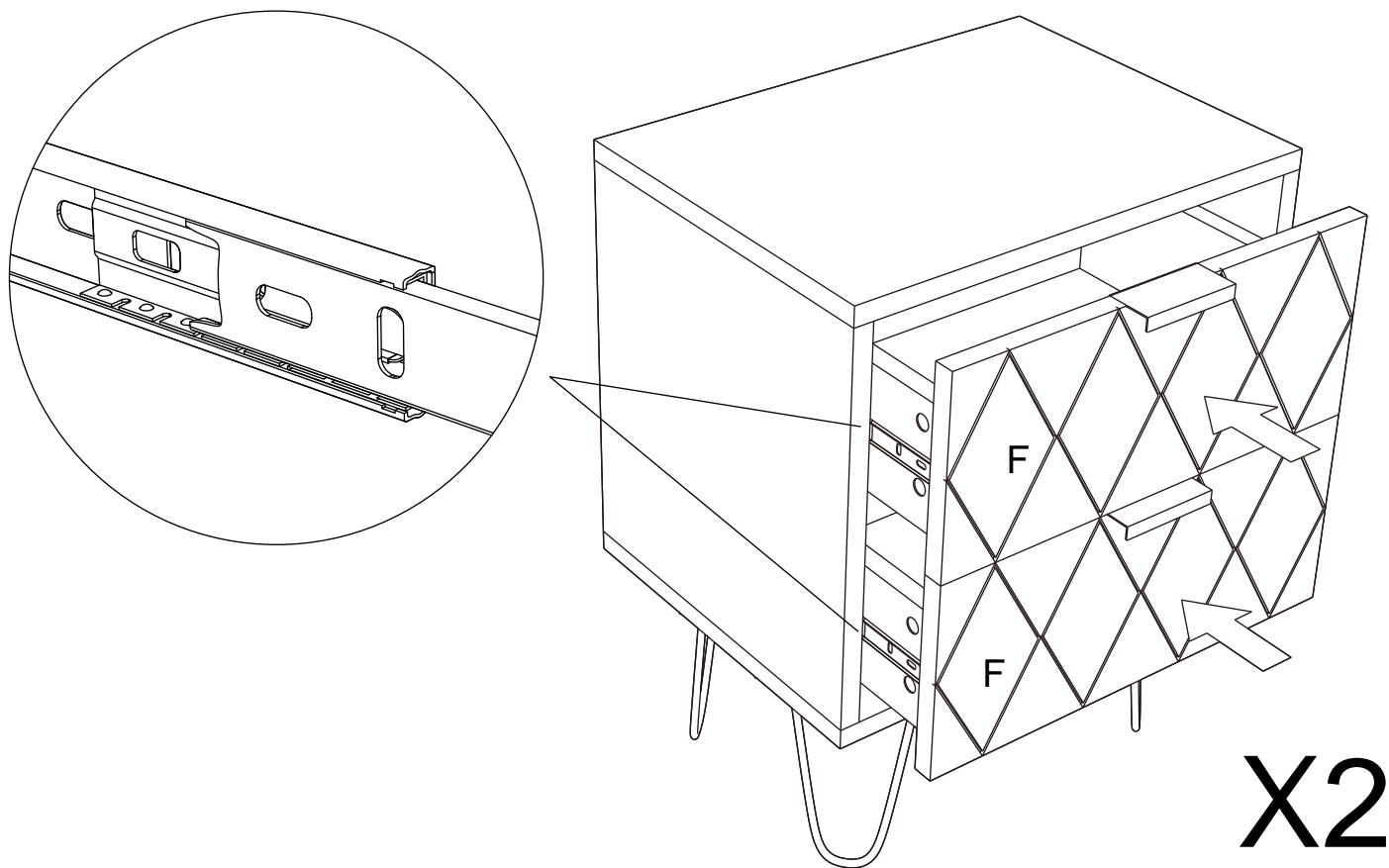
X4

STEP 9

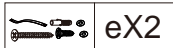
nX4 iX24



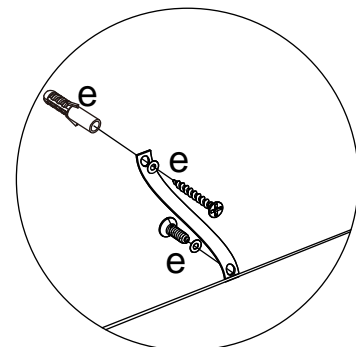
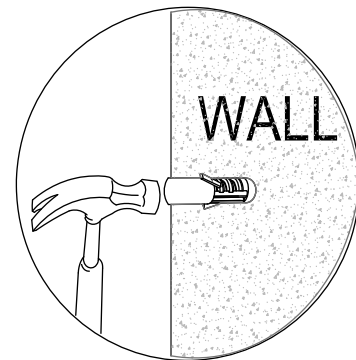
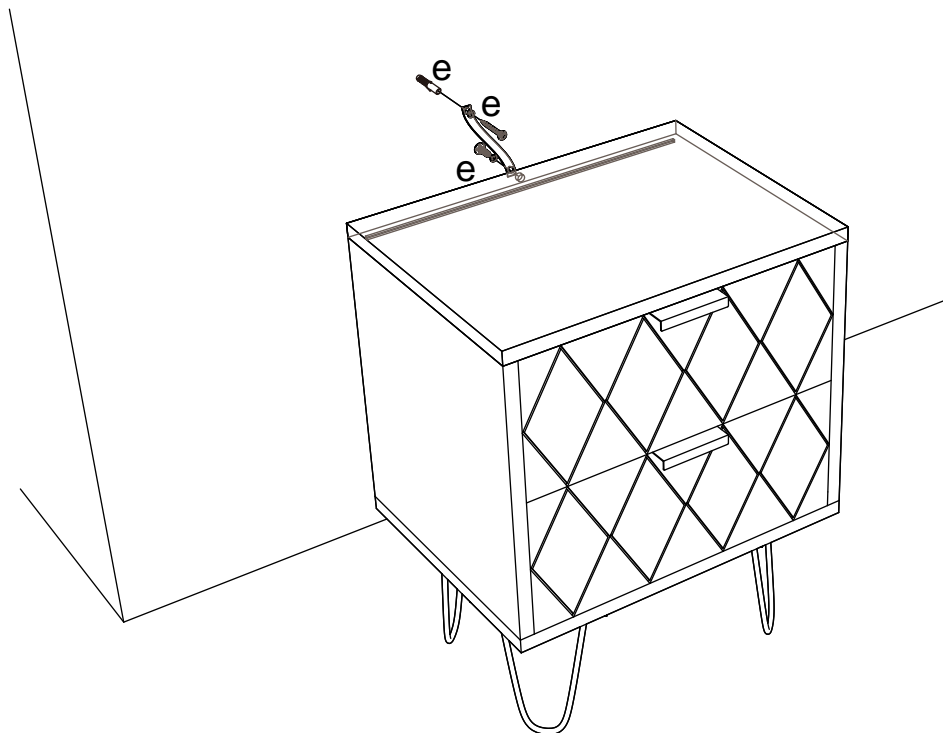
STEP 10



STEP 11

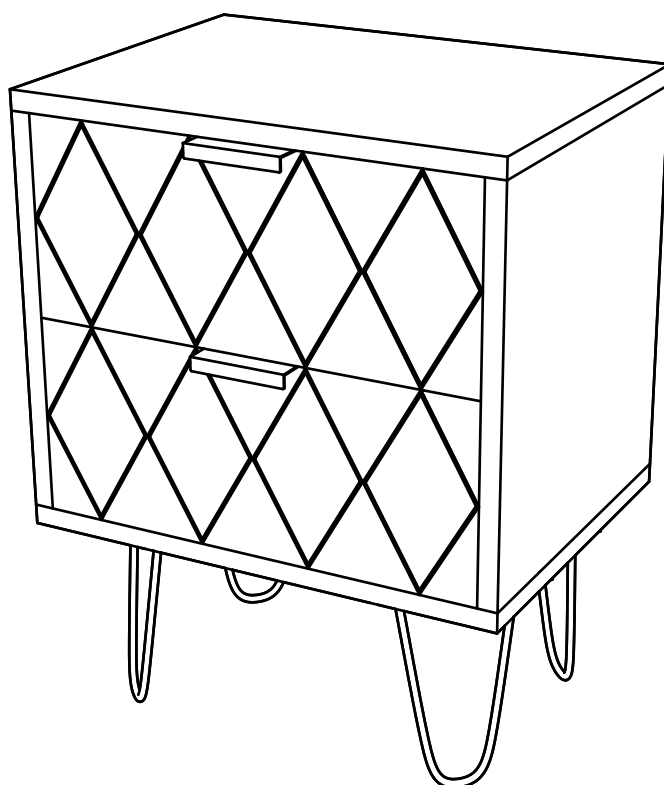


WALL



X2

STEP 12



CAUTION: Always Lift Your Furniture When Moving /Relocating - Do Not Drag. Dragging Can Cause The Legs To Bend/Break.