

Care and Maintenance






Dust with a soft, dry cloth. Do not use abrasive cleaner. To clean mirror, spray a small amount of glass cleaner onto a lint-free cloth and wipe mirror clean.

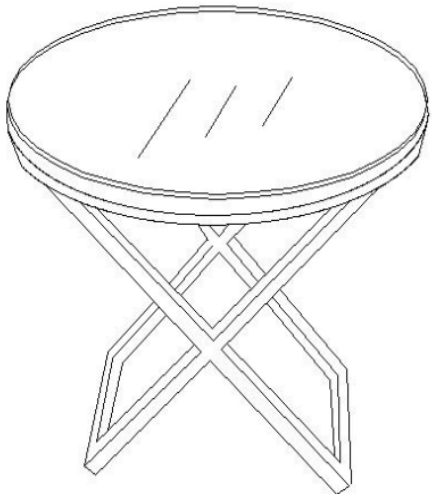
Notice

- * Please make sure that you have all parts indicated before you begin assembly of this item
- * This item should be assembled on a soft surface to prevent scratching the finish during assembly

Product Dimensions: 20"W x 20"D x 22.9"H

Part List and Hardware List

Piece	Description	Picture	Quantity
A	"X" Shape Iron Leg		2X
B	Leg Connection Parts		1X
C	Top Ring		1X
D	Assembly Screws		6X
E	Mirror Top		1X

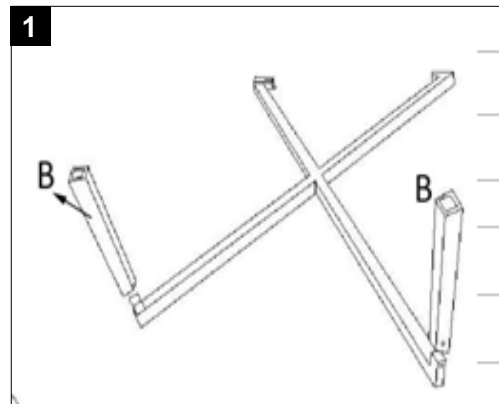


Preparation

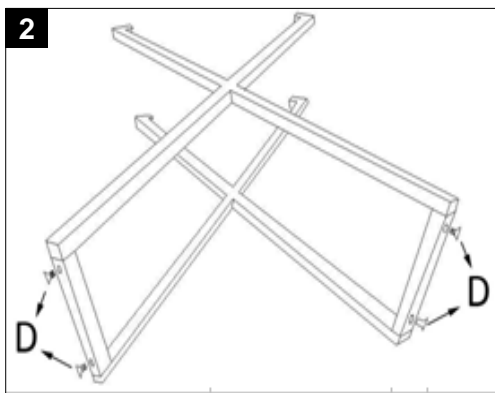
Before beginning assembly of product, make sure all parts are present. Compare parts with package contents list and hardware contents list. If any part is missing or damaged, do not attempt to assemble the product.

Estimated Assembly Time: 10 minutes.

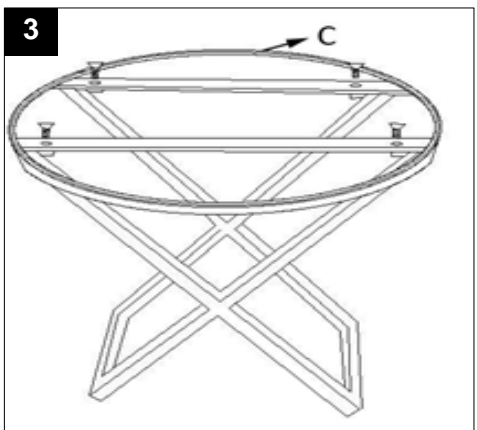
Tools Required for Assembly (included): No



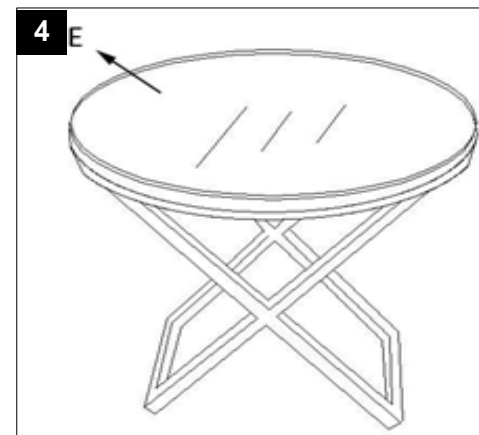
Step 1
Place the "X" Shape Iron Leg (A) on a flat & soft surface , then put together the Two "X" shape Iron Legs (A) & Two Leg Connection Parts (B) as shown in the picture.



Step 2
Assemble the Two "X" Shape Iron Legs (A) & Two Leg Connection Parts (B) all together using the Assembly Screws provided in yellow plastic bag.



Step 3
Carefully turn over the table and assemble the Round Table Top (C) using the Assembly Screws provided in yellow plastic Bag.



Step 4
Carefully place Mirror Top (E)