

DINING TABLE

ASSEMBLY INSTRUCTIONS



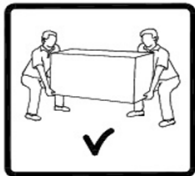
ASSEMBLY TIPS:

1. Remove hardware from box and sort by size.
2. Please check to see that all hardware and parts are present prior to start of assembly.
3. Please follow attached instructions in the same sequence as numbered to assure fast & easy assembly.






Warning!

1. Don't attempt to repair or modify parts that are broken or defective. Please contact the store immediately.
2. This product is for home use only and not intended for commercial establishments.


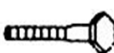




ASSEMBLY TIME	14 MINUTES
----------------------	-------------------

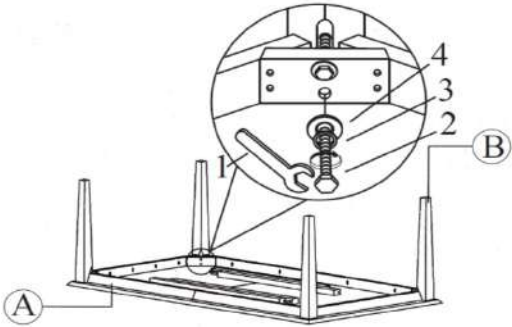
PARTS IDENTIFICATION

	PART NAME	FIGURE	QTY
A	TOP		1PC
B	LEG		4PCS
C	LEAF		1PC

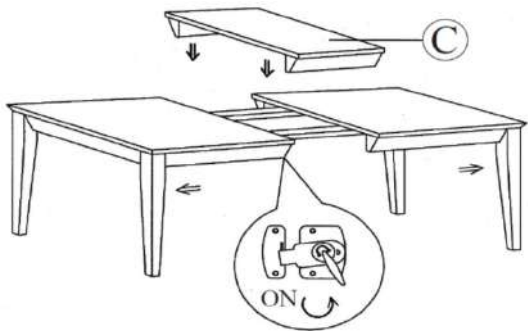
HARDWARE IDENTIFICATION

	HARDWARE NAME	FIGURE	QTY
1	WRENCH (13MM - RBW)		1PC
2	HEX BOLT (Φ5/16" x 2-4/11" - SR)		8PCS
3	LOCK WASHER (Φ5/16" - RBW)		8PCS
4	FLAT WASHER (Φ5/16" - RBW)		8PCS

STEP 1



STEP 2



STEP 3

COMPLETE

