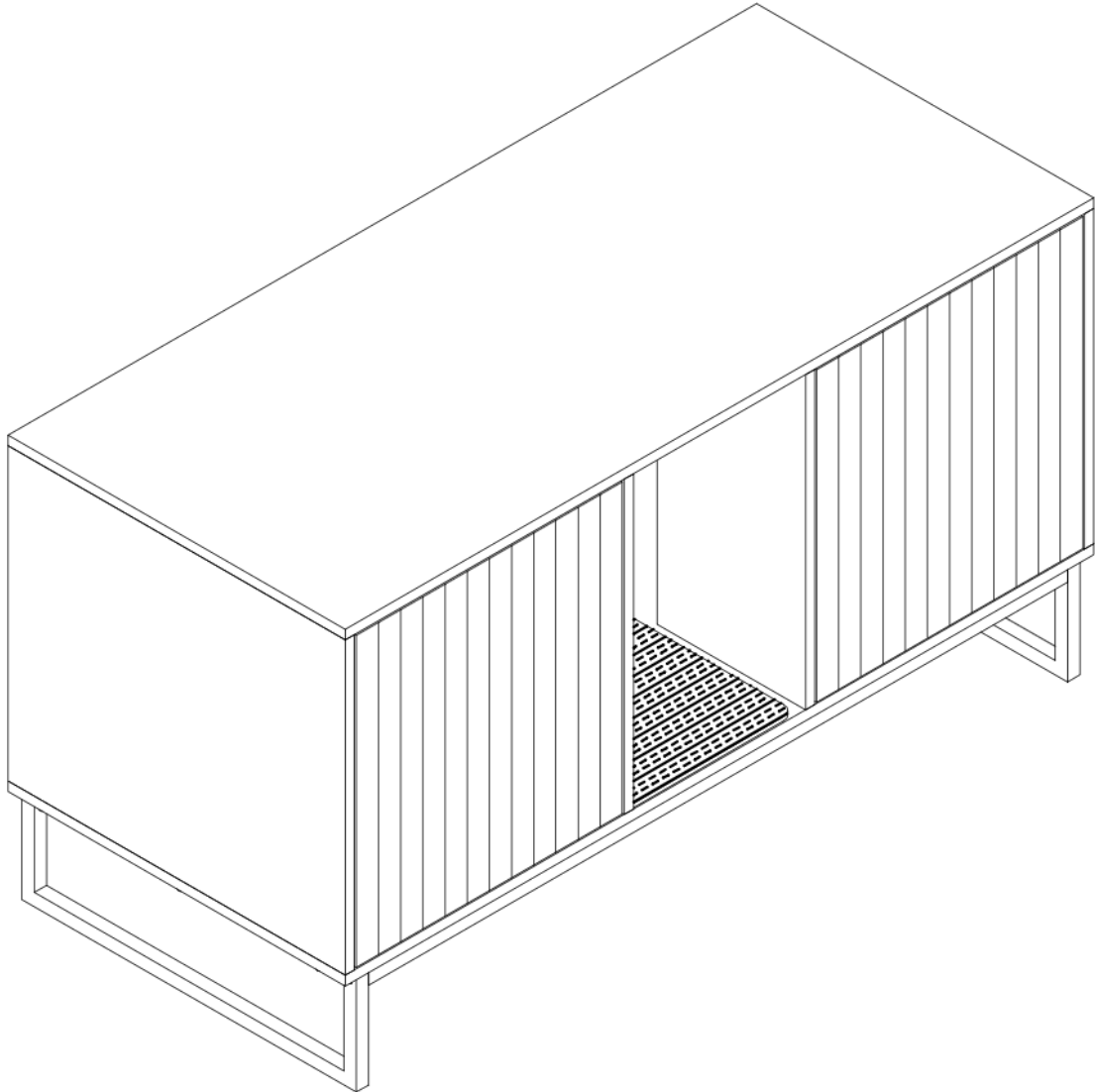


Assembly Instruction

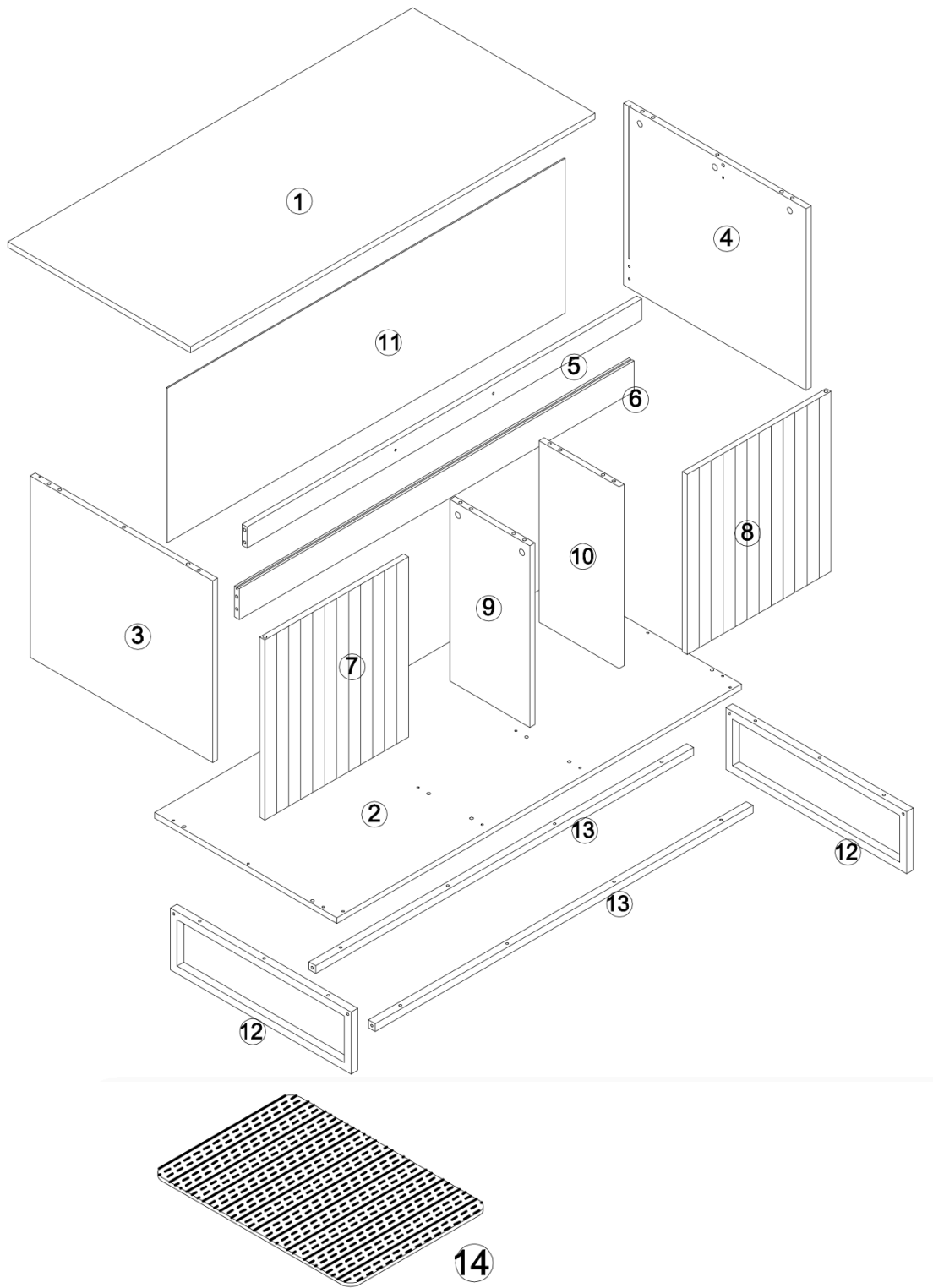
(SKU:710008)



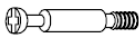



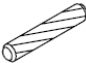





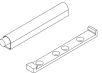



Product name

Cat Litter Box Enclosure for 2 Cats

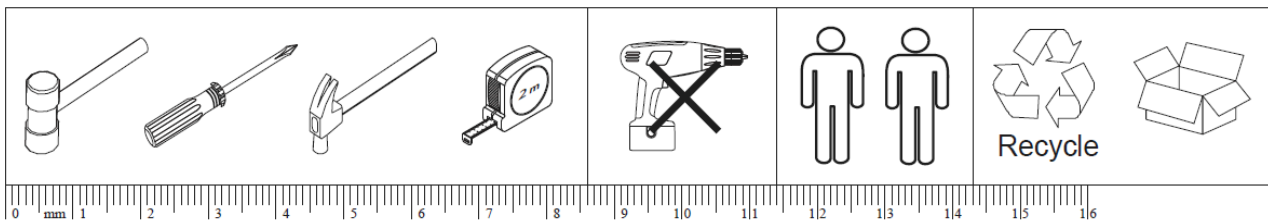
The Accessories



The Hardware

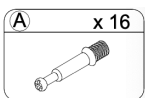
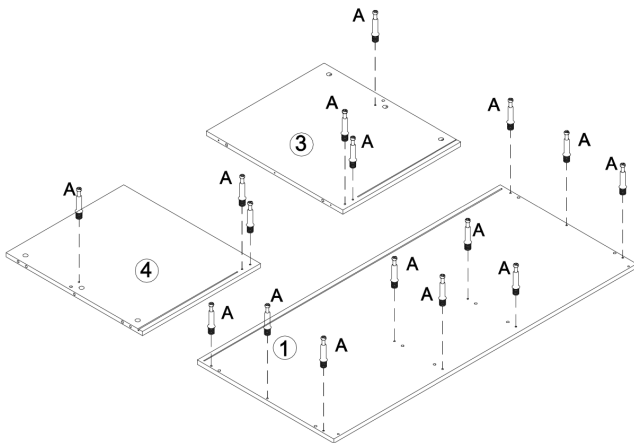
Code	Description	Qty	Code	Description	Qty
A	 $\phi 6 \times 35 \text{mm}$	16	H	 $\phi 3 \times 12 \text{mm}$	2
B	 $\phi 15 \times 10 \text{mm}$	16	I	 $\phi 6 \times 30 \text{mm}$	4
C	 $\phi 6 \times 30 \text{mm}$	18	J	 $\phi 4 \times 30 \text{mm}$	14
D	 $\phi 4 \times 35 \text{mm}$	15	K	 4	4
E	 $\phi 3 \times 14 \text{mm}$	6	L	 $\phi 20$	10
F	 2	2	M	 1	1
G	 2	2	N	 $\phi 3 \times 16 \text{mm}$	6

Purchased it from who will be able to resolve any issues.

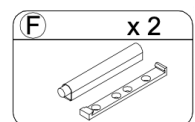
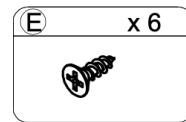
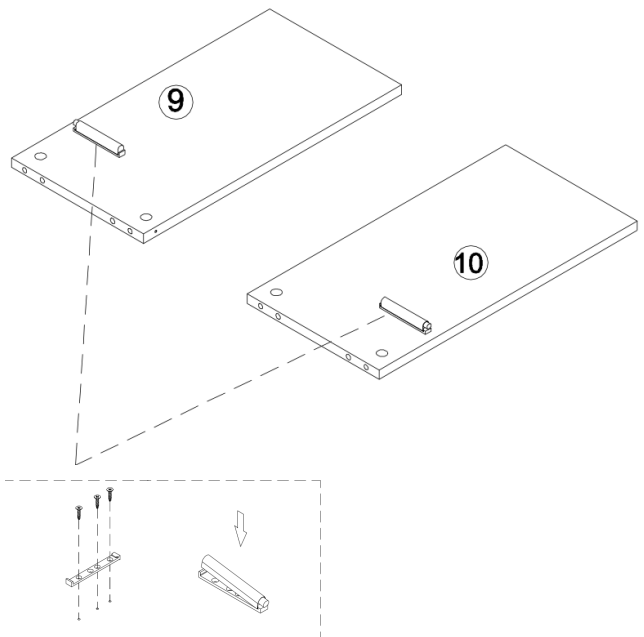


Assembling

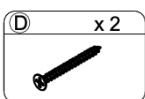
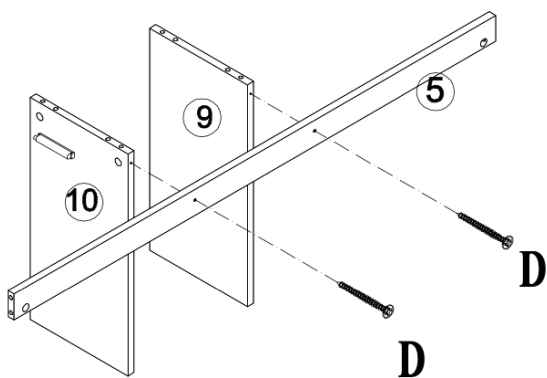
Step 1



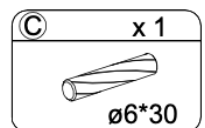
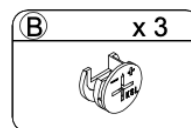
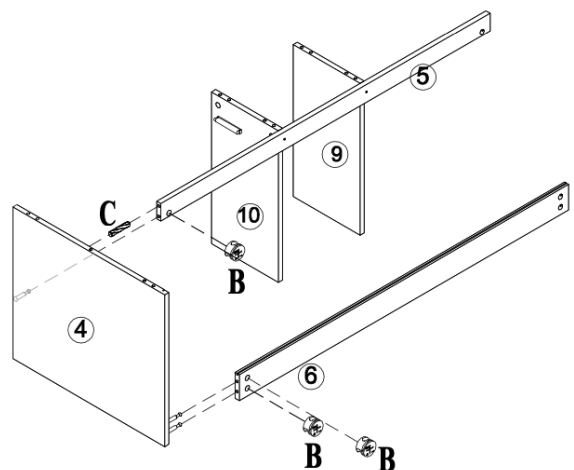
Step 2



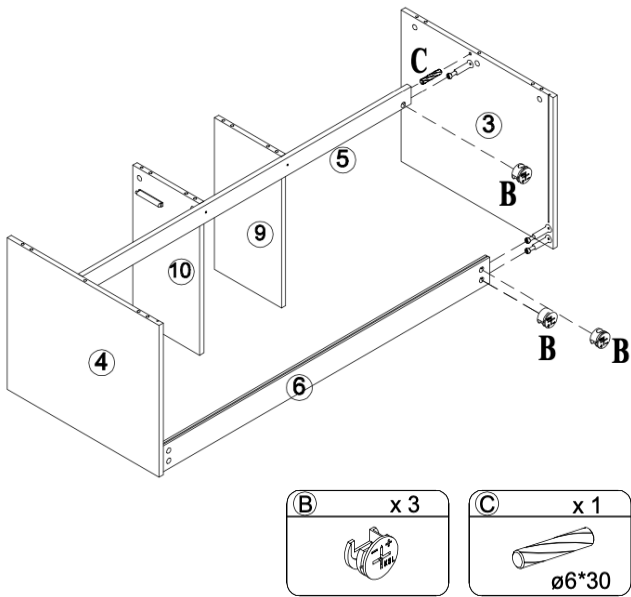
Step 3



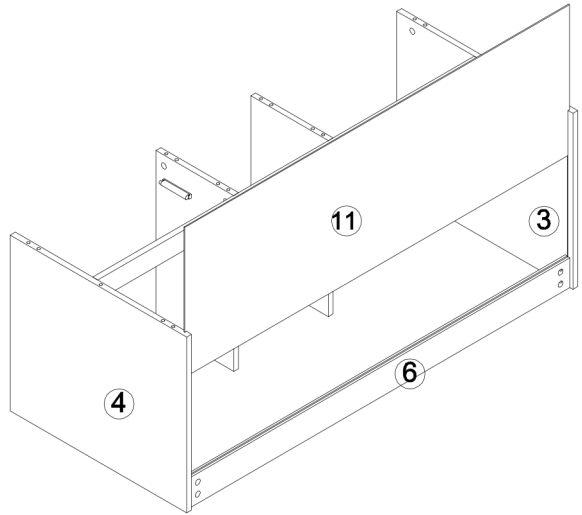
Step 4



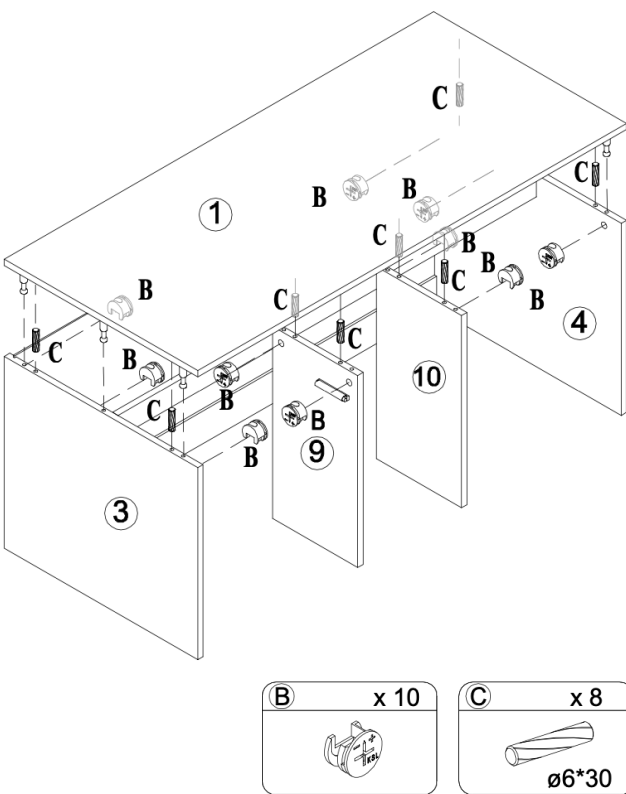
Step 5



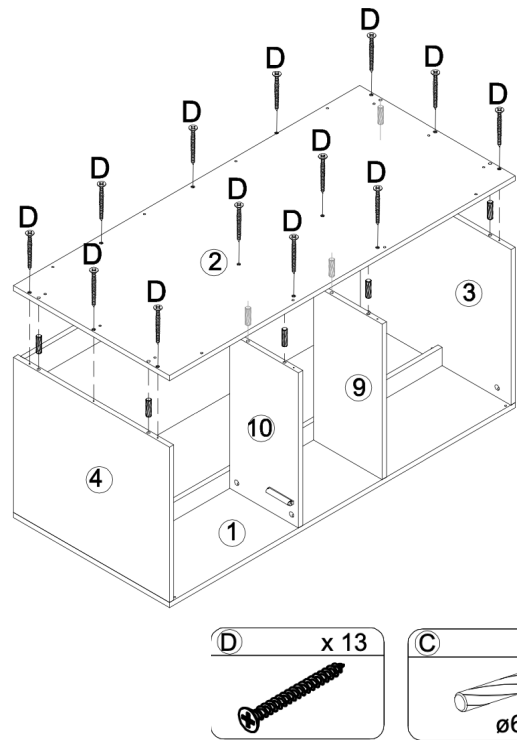
Step 6



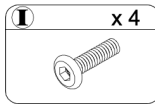
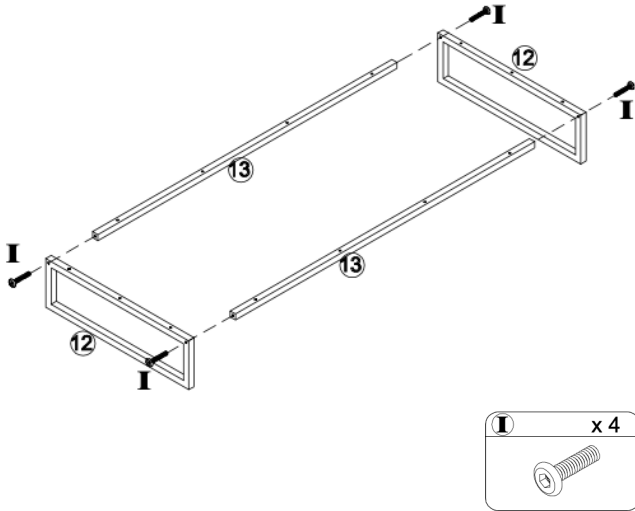
Step 7



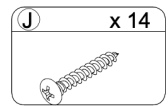
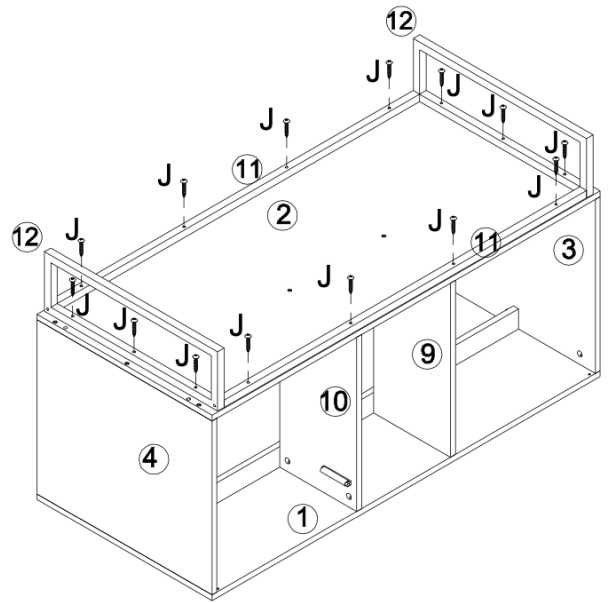
Step 8



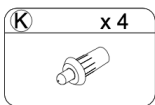
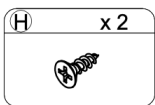
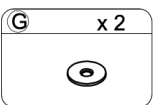
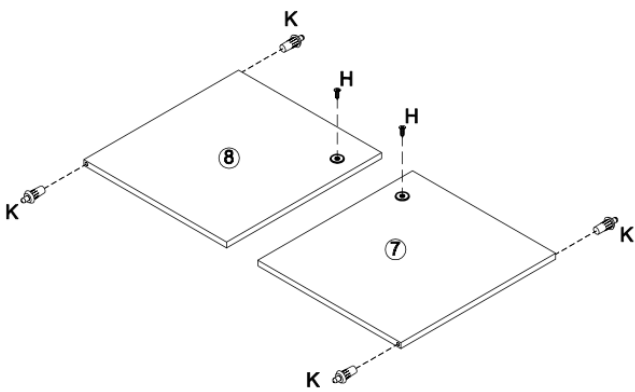
Step 9



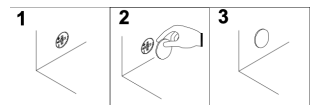
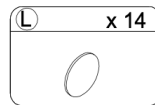
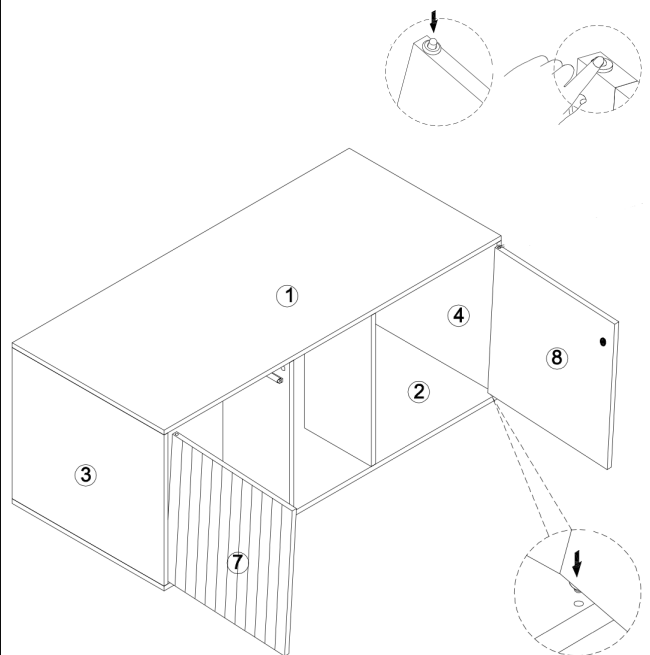
Step 10



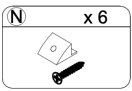
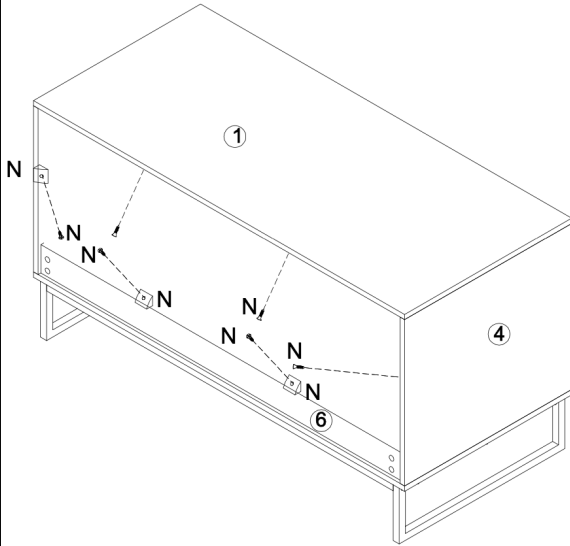
Step 11



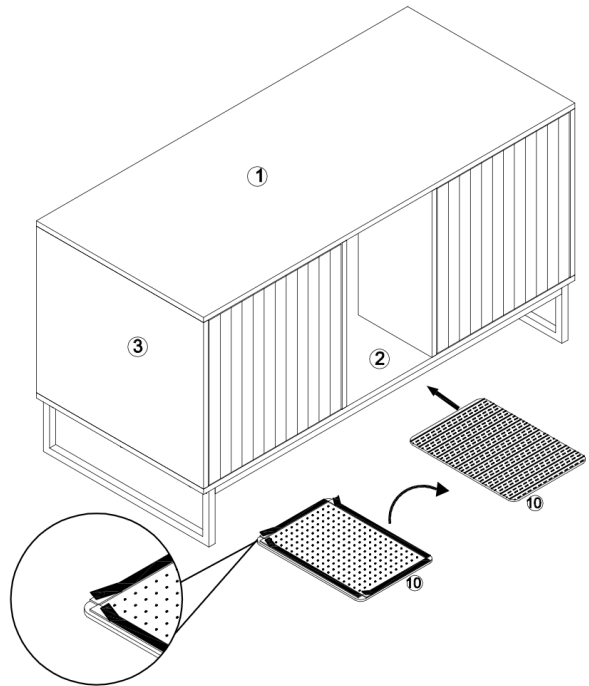
Step 12



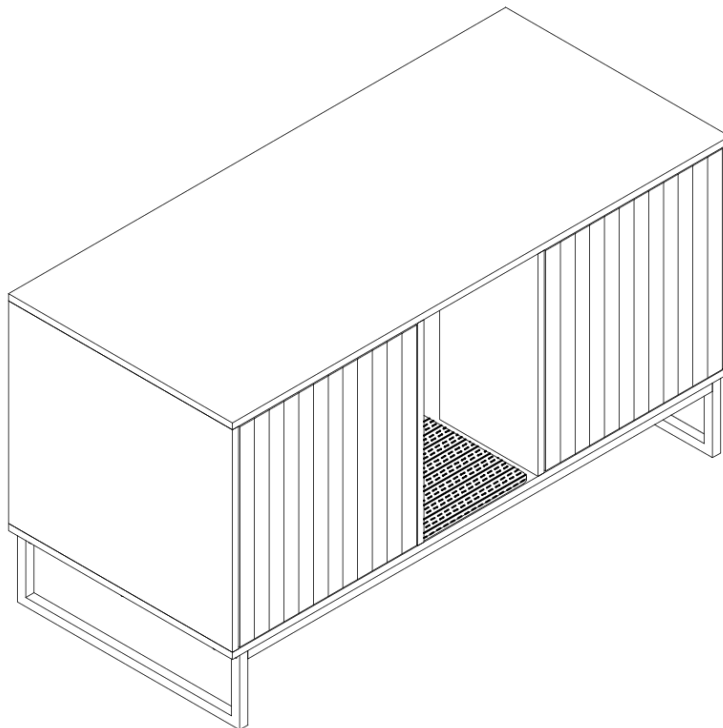
Step 13



Step 14



Step 15



Assembly Guidelines & Precautions

Guidelines

- Read and follow the instructions carefully during assembly and use.
- Keep this manual for future reference or contact after-sales for support.
- If any parts are missing or defective upon unpacking, stop assembly and contact us for replacements.

Precautions

- For indoor use only. Follow the manual for correct assembly and use. Any modifications may result in injury or damage. The seller is not responsible for misuse or improper assembly.
- Keep the product away from fire, heat, and direct sunlight. Avoid placing hot objects on it.
- Assemble on a spacious surface. Do not place parts directly on the ground to avoid damage.
- Do not stand or sit on any part of the furniture.
- Wear gloves during assembly to avoid injury from sharp edges.
- Match parts by their numbers in the manual. Loosely align all screws before tightening them.
- Regularly check screw tightness and re-tighten if needed to ensure stability.
- Keep the product away from sharp objects and corrosive substances to prevent damage.

Warning

- Children should not assemble this product. Keep small parts and packaging out of children's reach to avoid choking or suffocation risks.
- In case of accidental spills, turn off any connected power immediately.