

72" VANITY

Sink sold separately

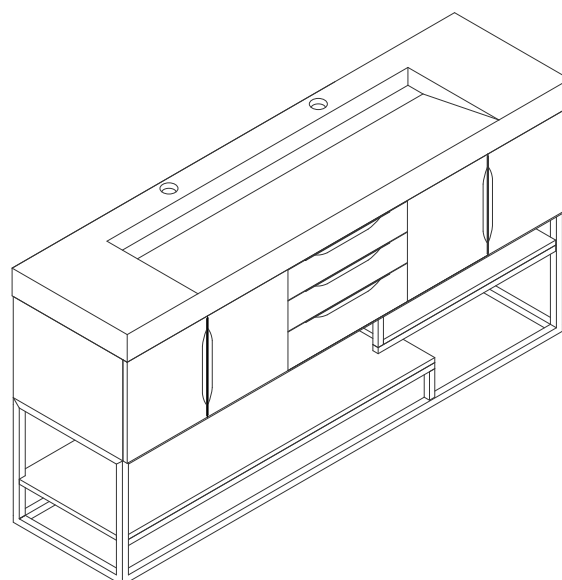
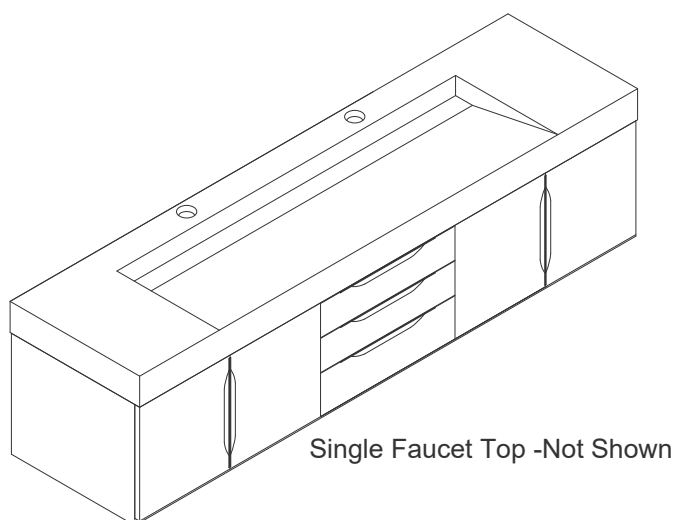
VANITIES

Wall Mount Dimensions

Width: 72-3/8"
Depth: 18-3/4"
Height: 14-3/8"
Rough-In Height: 24-3/8"

Dimensions with Base

Width: 72-3/8"
Depth: 18-3/4"
Height: 32-1/8"
Rough-In Height: 24-3/8"



Features and Materials

Solids: Yellow Poplar

Metal Base Material: 304 Stainless Steel

Metal Base/Hardware Finish: Brushed Nickel / Matte Black / Radiant Gold

Hardware Finish: Brushed Nickel, Matte Black, Radiant Gold

Veneers: AGR-Engineered Ash; LTO-Red Oak

Panels: Plywood

Installation Type: Wall Mounted and Floor Mounted Available

Number of Doors: Four

European Soft Close Hinges

Adjustable Levelers

Number of Drawers: Three, Full Extension, Soft Close Glides Aluminum Laminate Drawer Liners

USB/Power Component: YES

Cord Length: 6'6"

Bamboo Storage Tray: YES

Drawer Box Material and Construction: 12mm Plywood / English Dovetail Joinery

Number of Basins: One, Integrated Sinktop

Sinktop Included: NO, Sold Separately

Basin Overflow: NO

Faucet Type: Single Hole Fits

Drain Hole Size: 1-3/4"

Assembly Required: YES

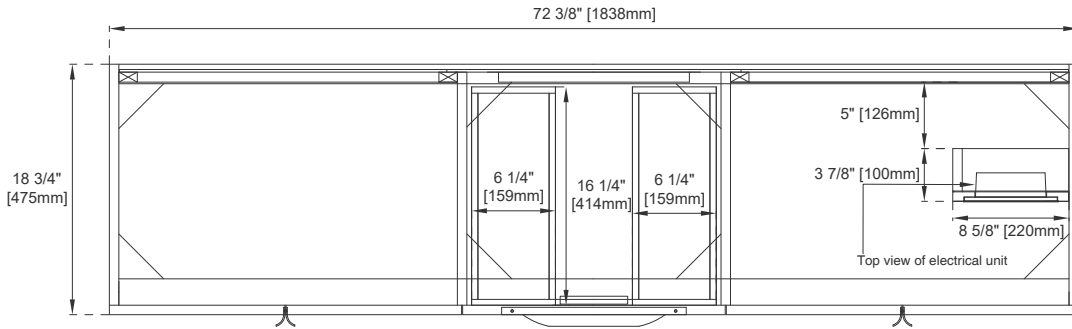
Assembly Type: Pulls require installation (ships in a separate carton)

Assembly Type: Optional base requires assembly to the vanity

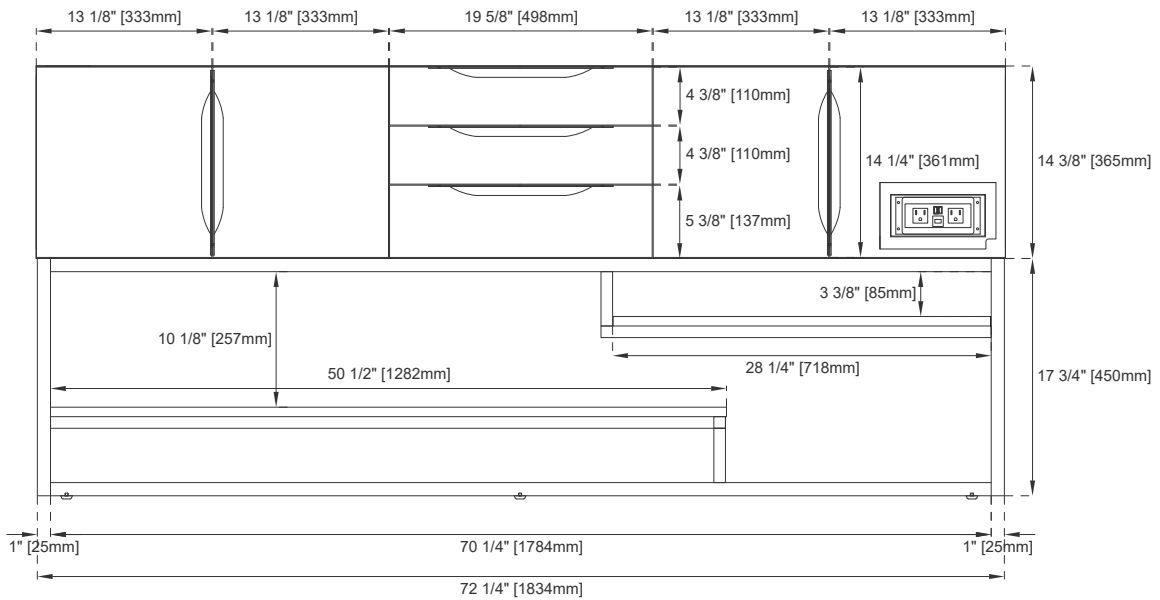
Assembly Type: Shelves for the base (ships in a separate carton)

72" VANITY

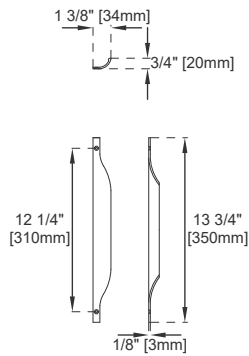
VANITIES



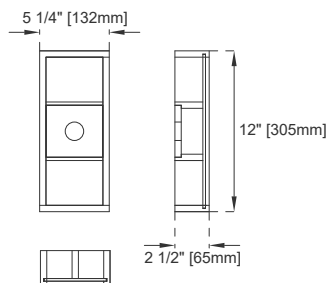
Top View



Front View



Knob

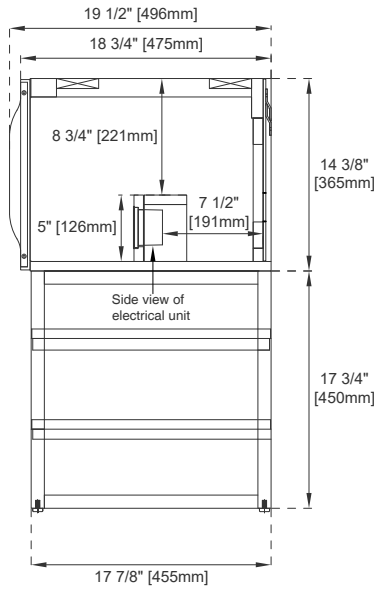


Bamboo Drawer Organizer

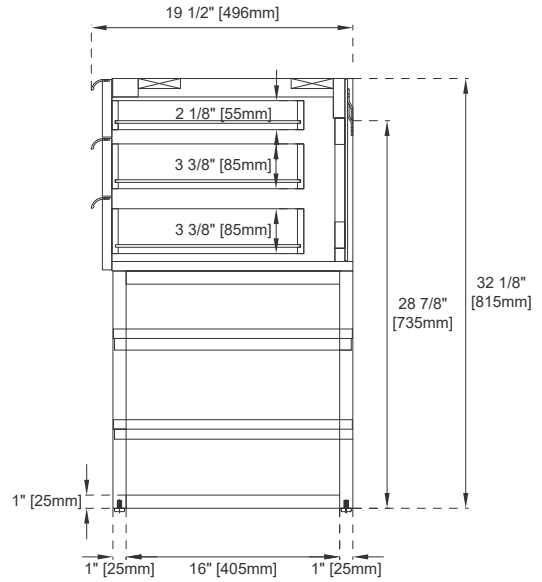
All dimensions are nominal

72" VANITY

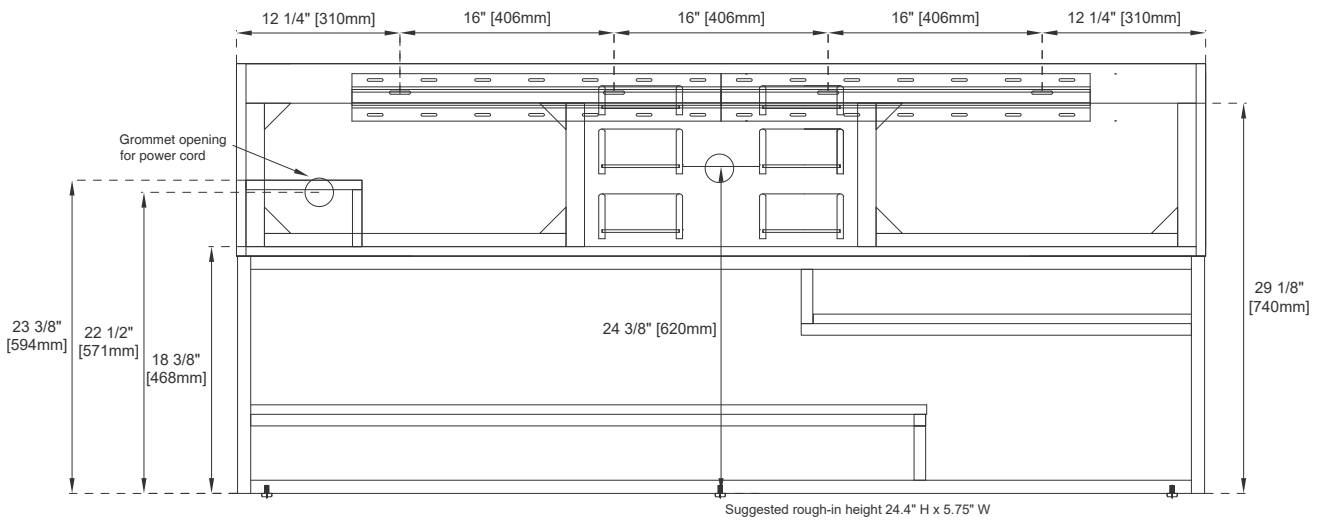
VANITIES



Side View 2



Side View 1



Back View

All dimensions are nominal