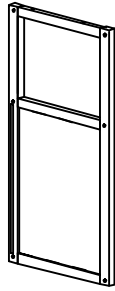


Assembly Instruction



Ax1



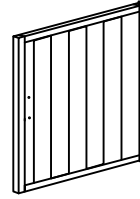
Bx1



Cx1



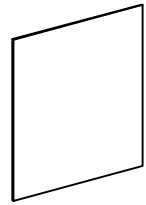
Dx1



Ex1



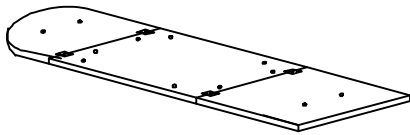
Fx2



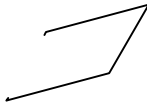
Gx1



Hx2



Ix1



Jx2



Kx12



Lx12



Mx1



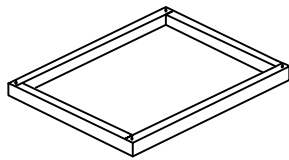
Nx1



Ox2



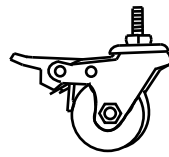
Px4



Qx1



Rx2

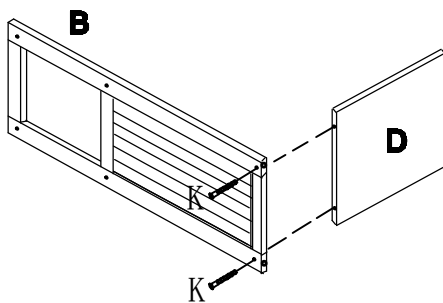


Sx2

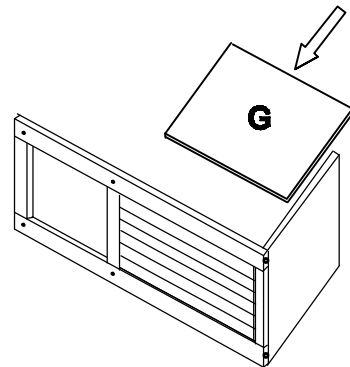


Tx1

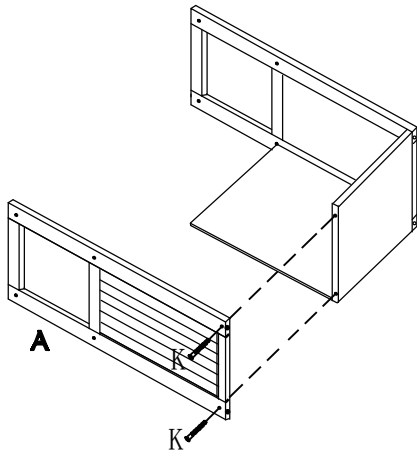
(1)



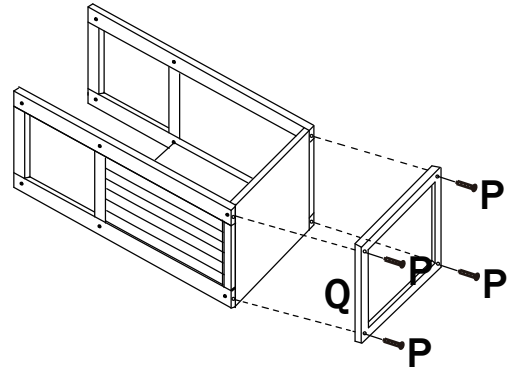
(2)



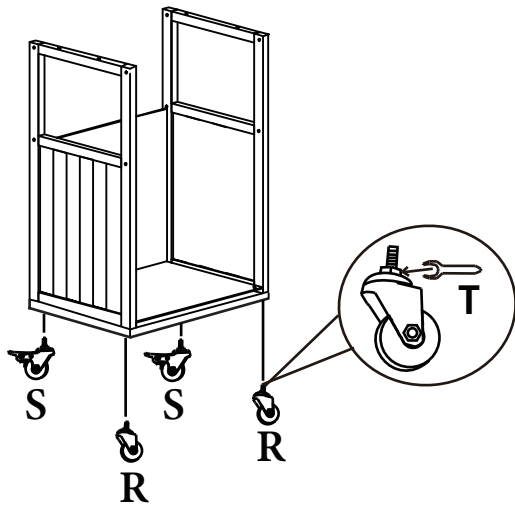
(3)



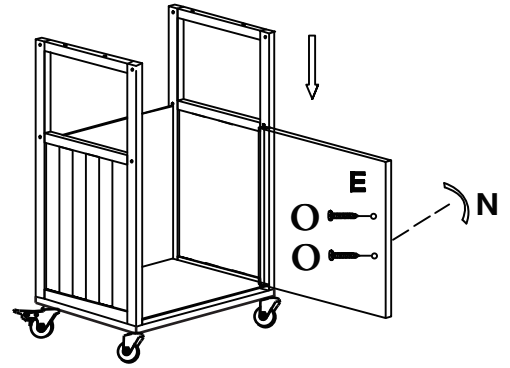
(4)



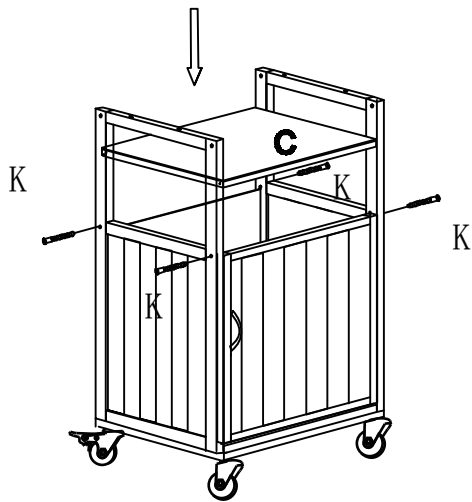
(5)



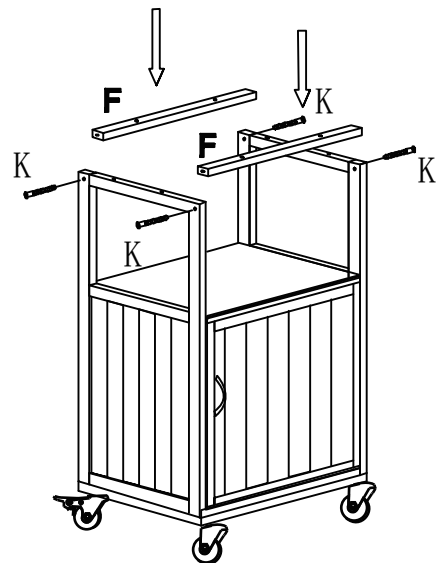
(6)



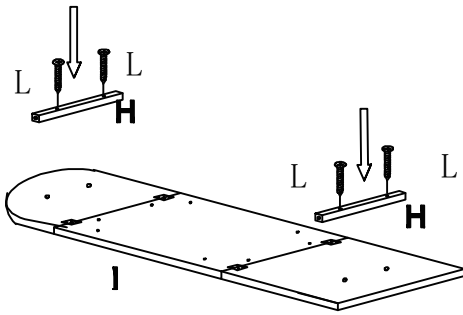
(7)



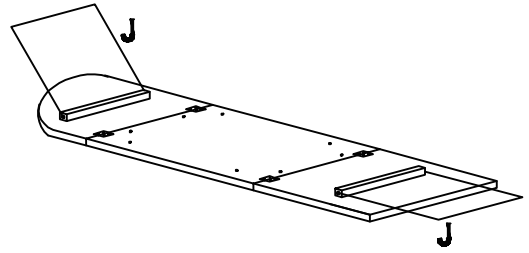
(8)



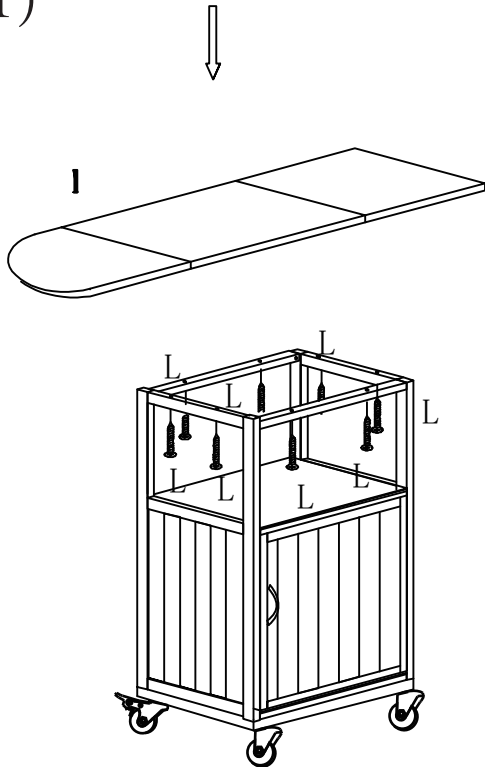
(9)



(10)



(11)



(12)



Moving the product need to open the brake of the wheels.