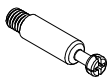







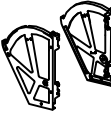


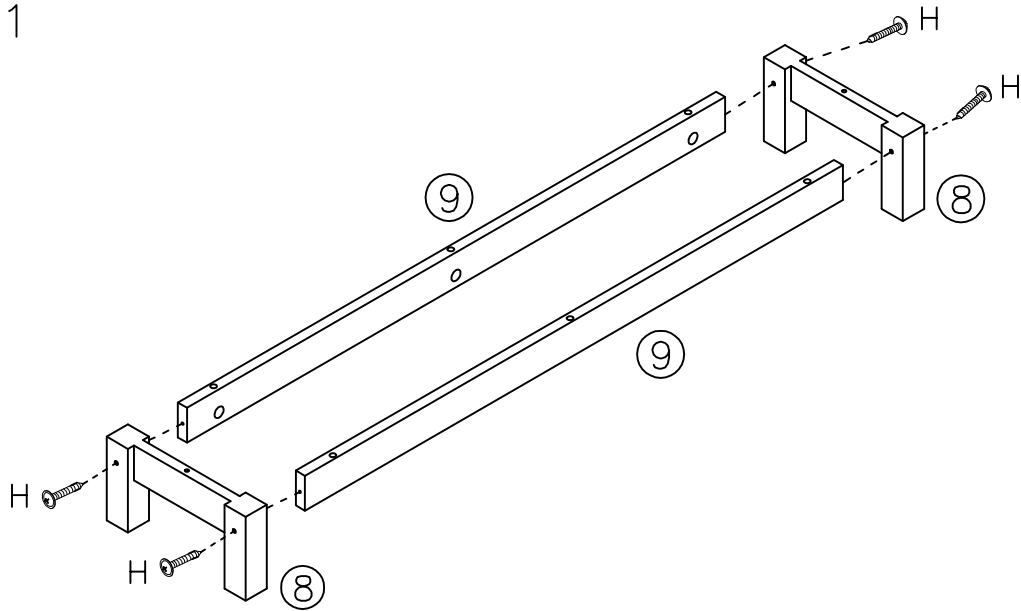



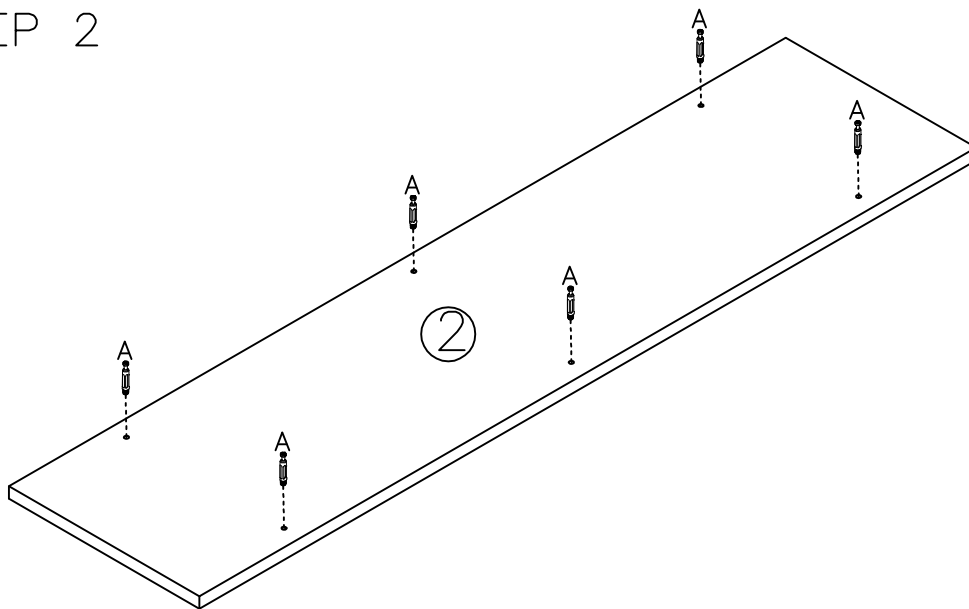
A	B	C	D	E	F	G	H	J	K	L
										
26PCS	26PCS	4PCS	4PCS	3PCS	8PCS	46PCS	6PCS	8PCS	24PCS	4PCS


# STEP 1



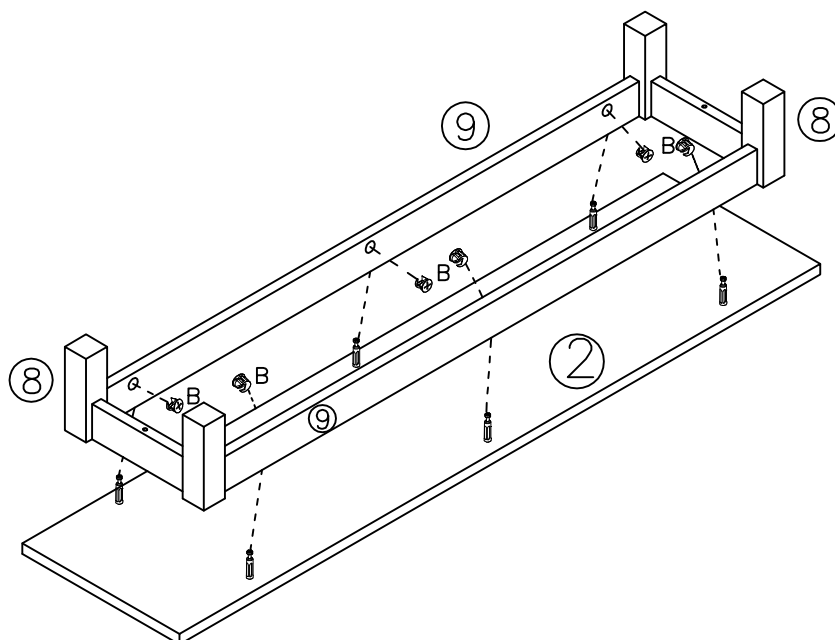
H  
  
4PCS


# STEP 2



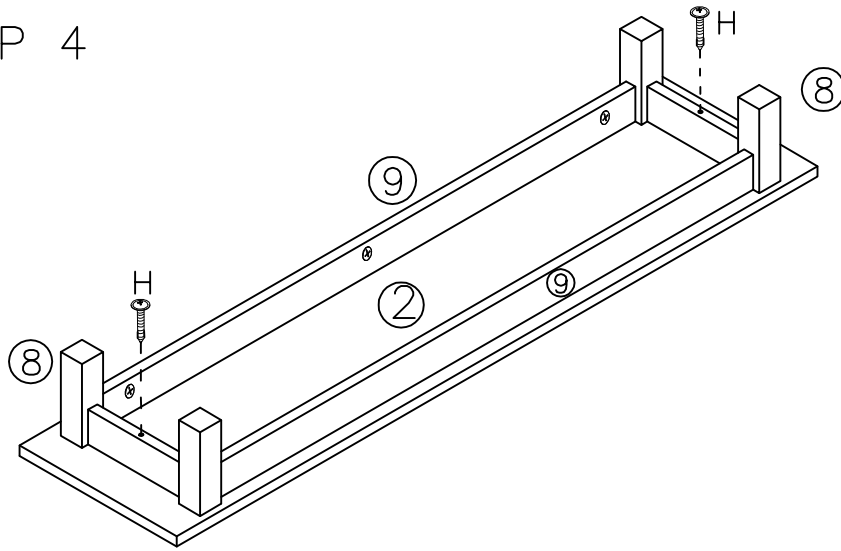
A  
  
6PCS

# STEP 3




B  
  
6PCS

STEP 4

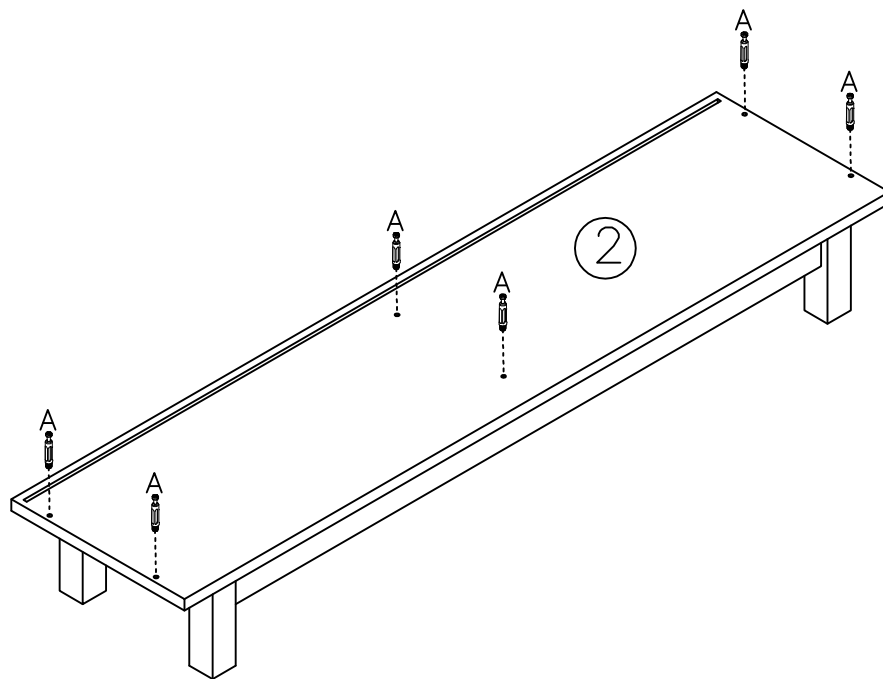


H




2PCS

STEP 5

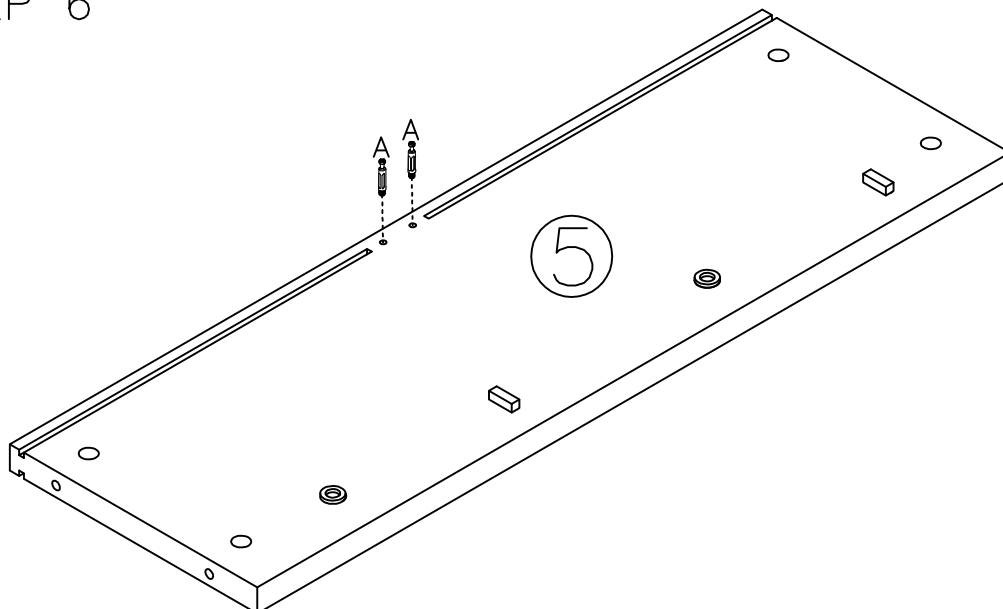


A




6PCS

STEP 6

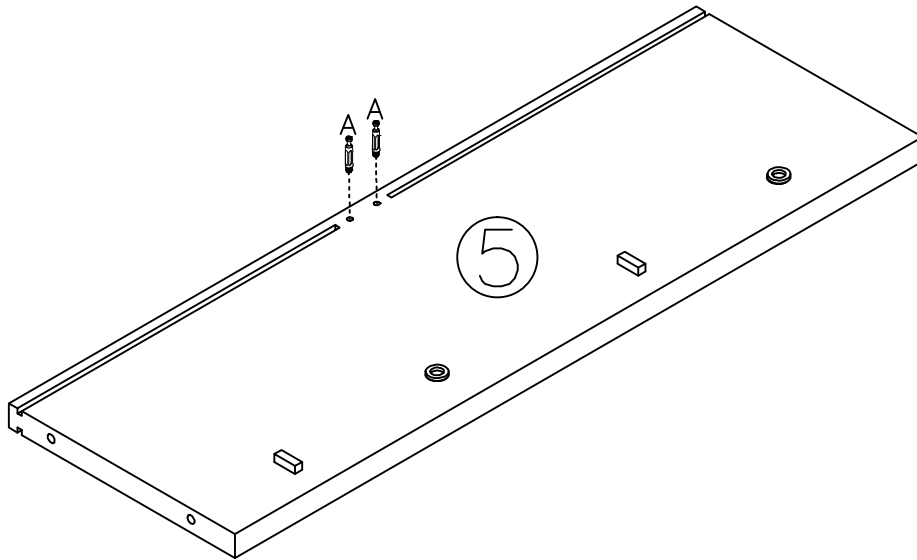


A



2PCS

STEP 7



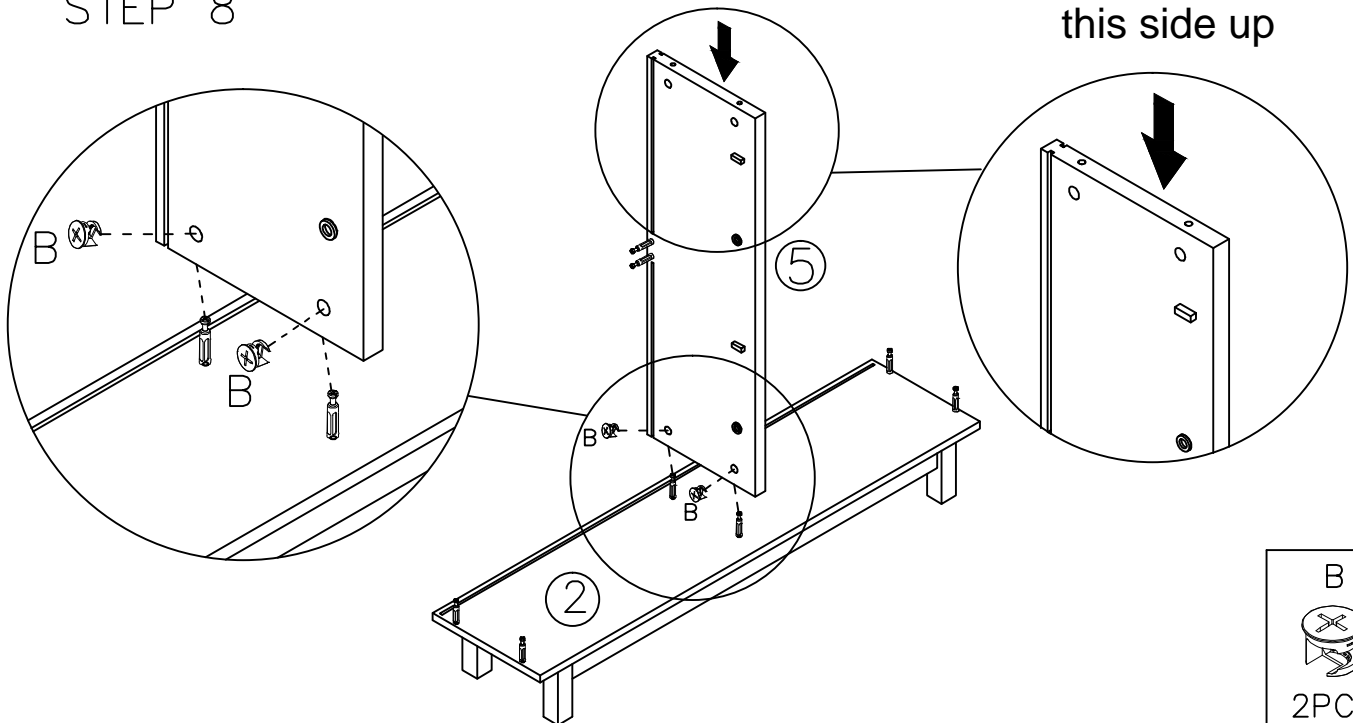
A



2PCS

STEP 8

this side up

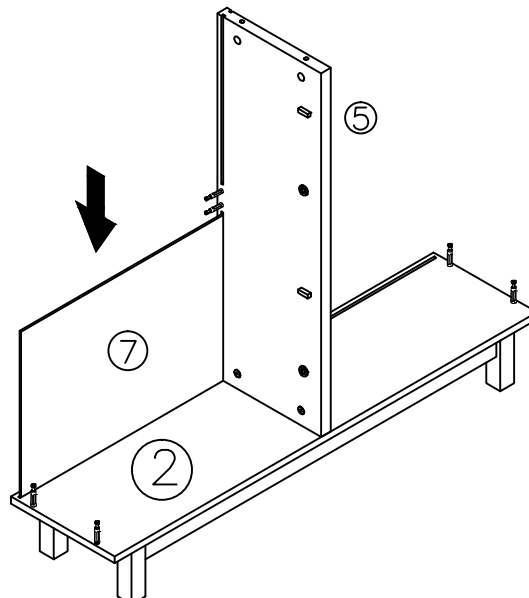


B

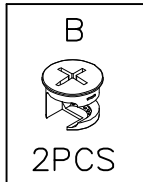
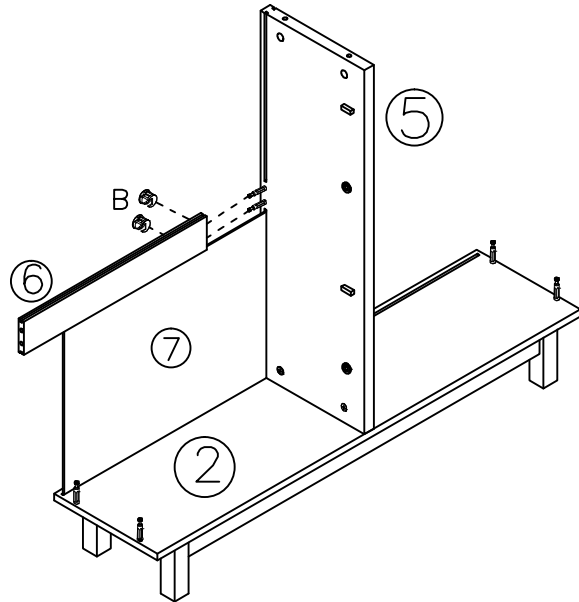


2PCS

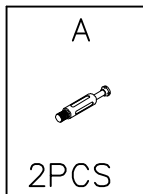
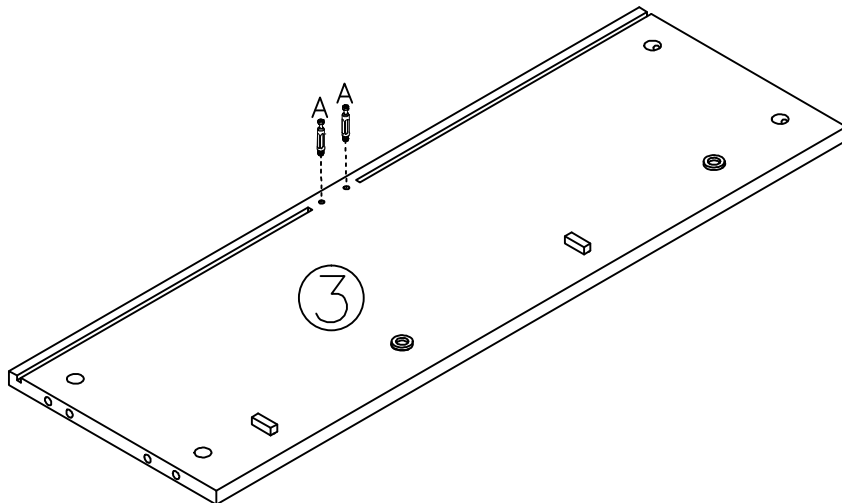
STEP 9



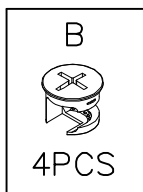
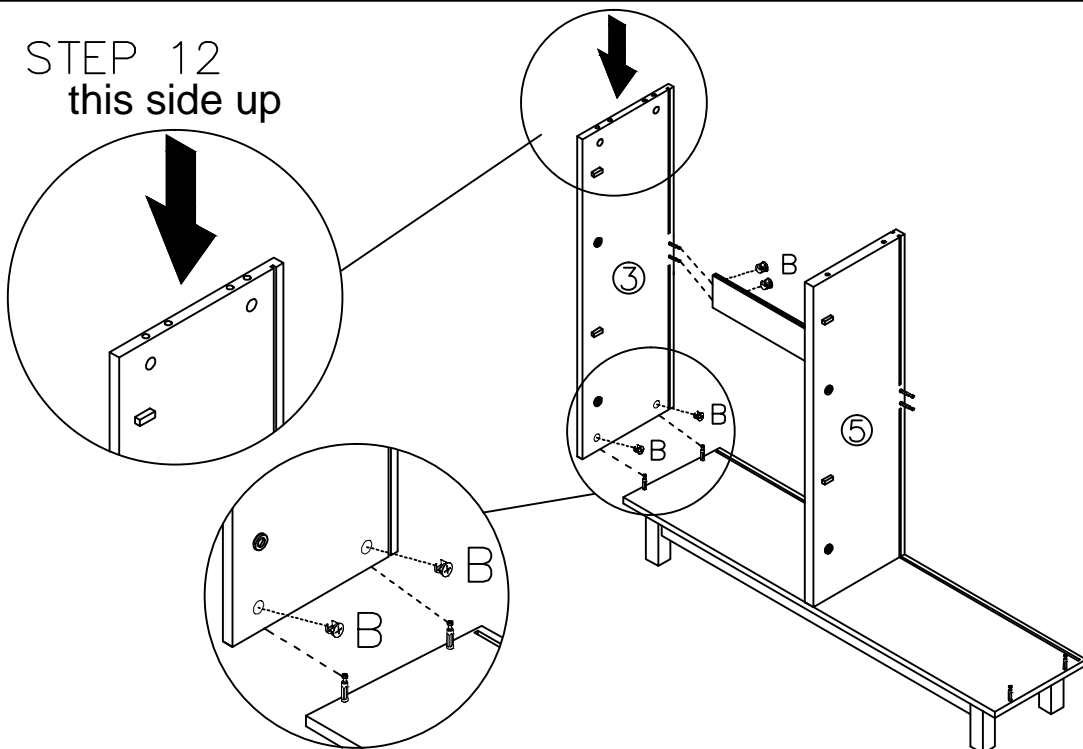
STEP 10



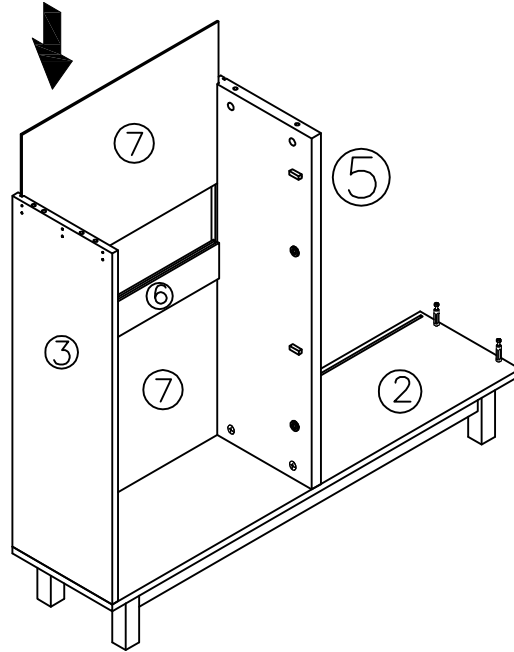
STEP 11



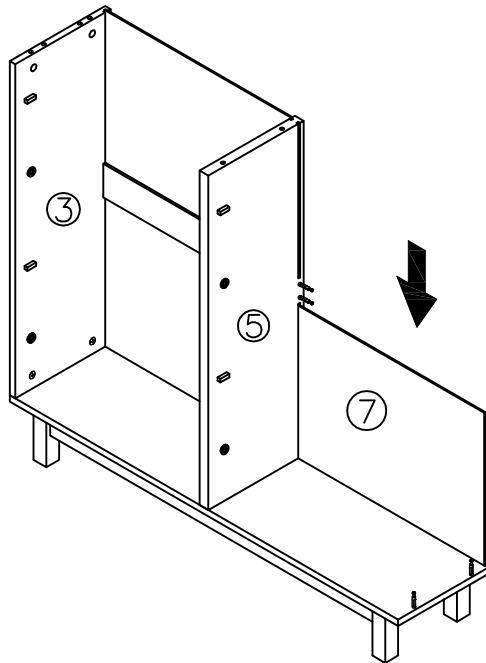
STEP 12  
this side up



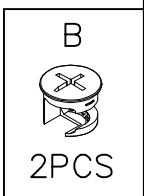
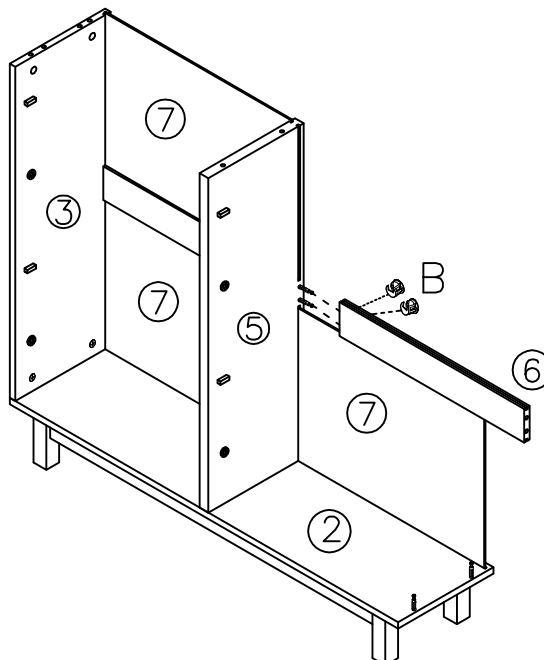
STEP 13



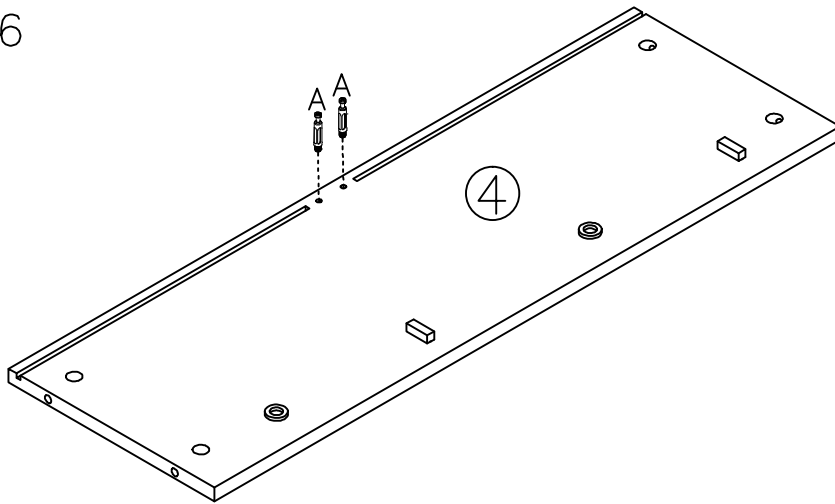
STEP 14



STEP 15



STEP 16

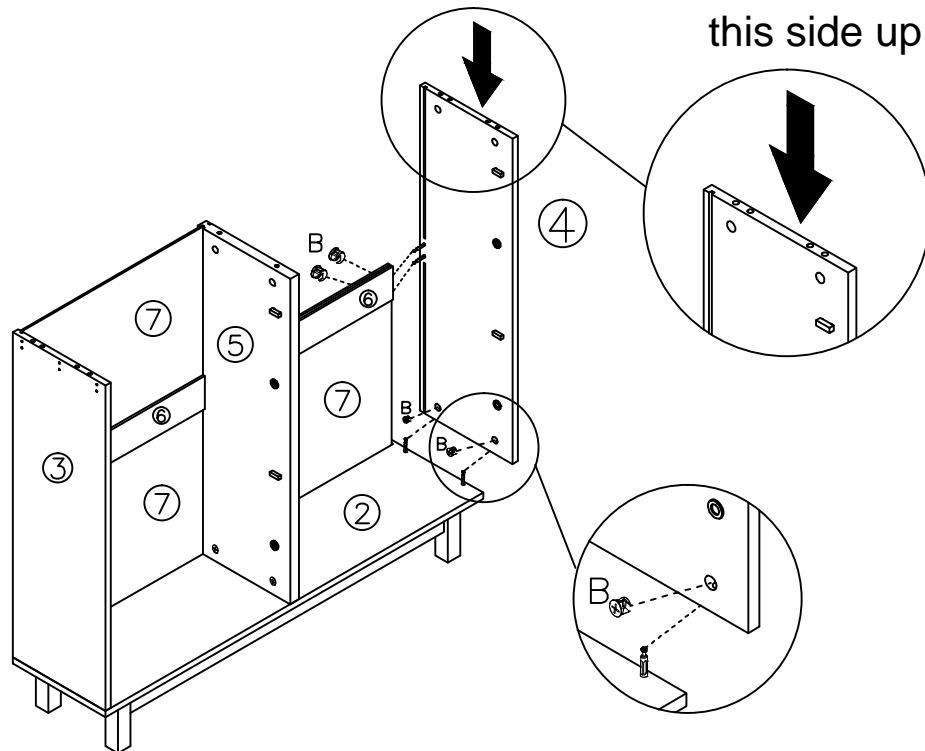


A



2PCS

STEP 17

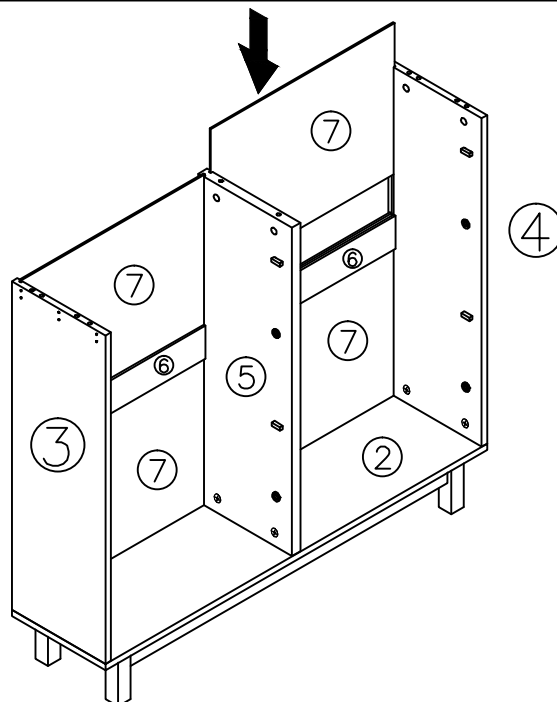


B

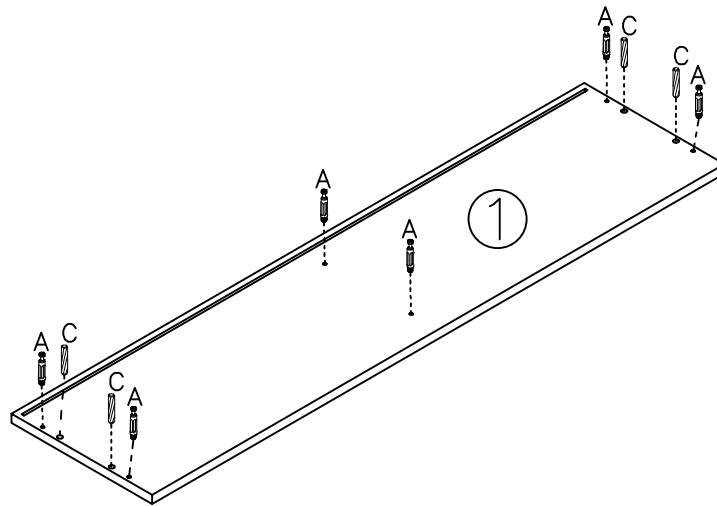




4PCS

STEP 18

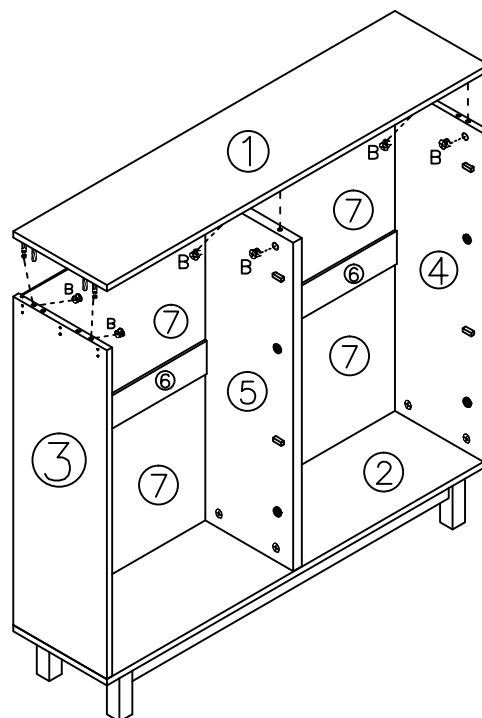



# STEP 19



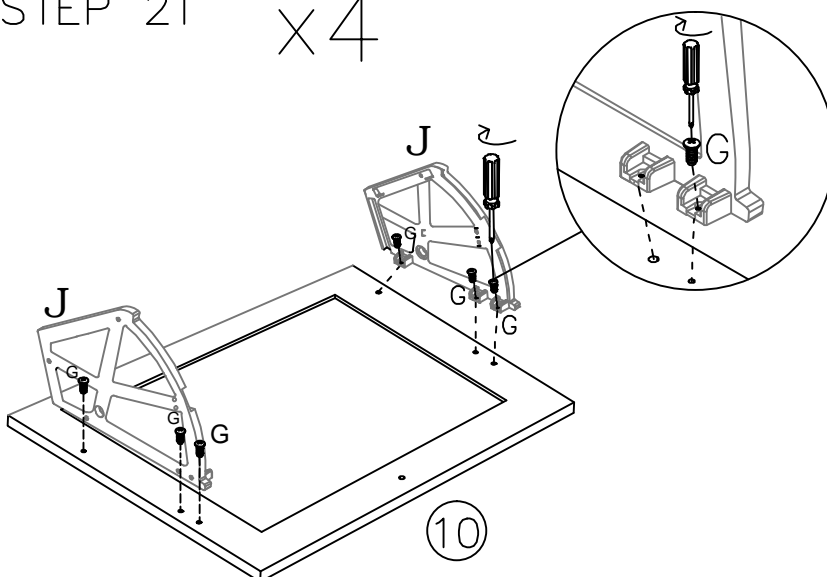
C	A
	
4PCS	6PCS

# STEP 20





B

6PCS

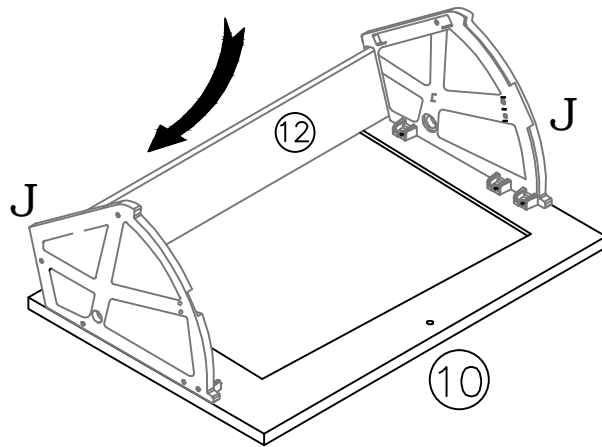
# STEP 21 x4



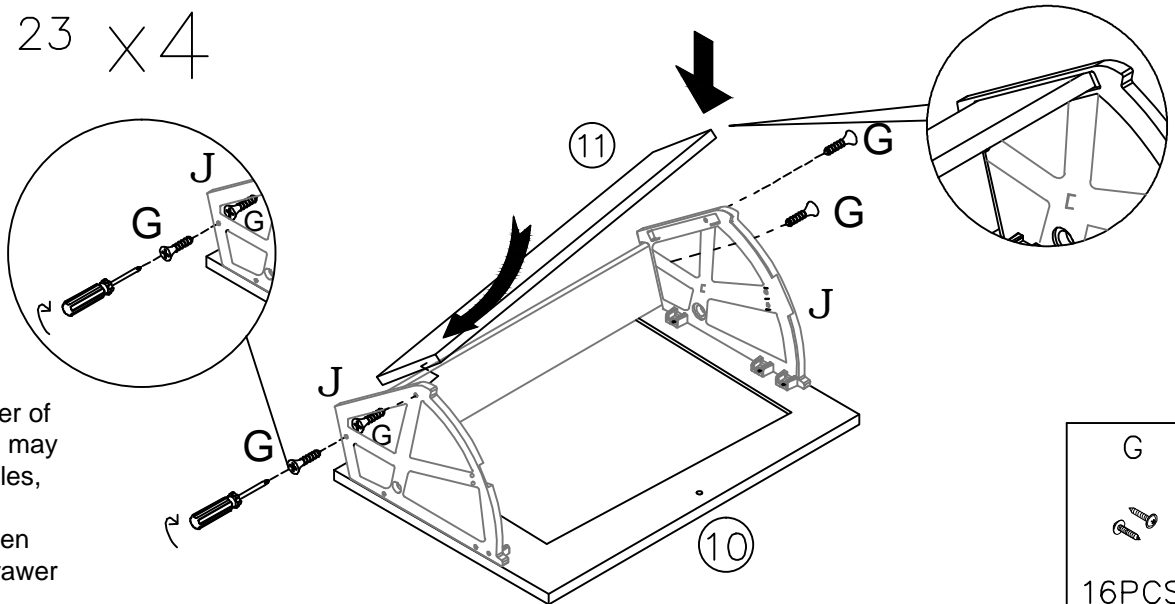
Excessive power of the electric drill may damage the holes, please use a screwdriver when installing the drawer

G	J
	
24PCS	8PCS

STEP 22 ×4



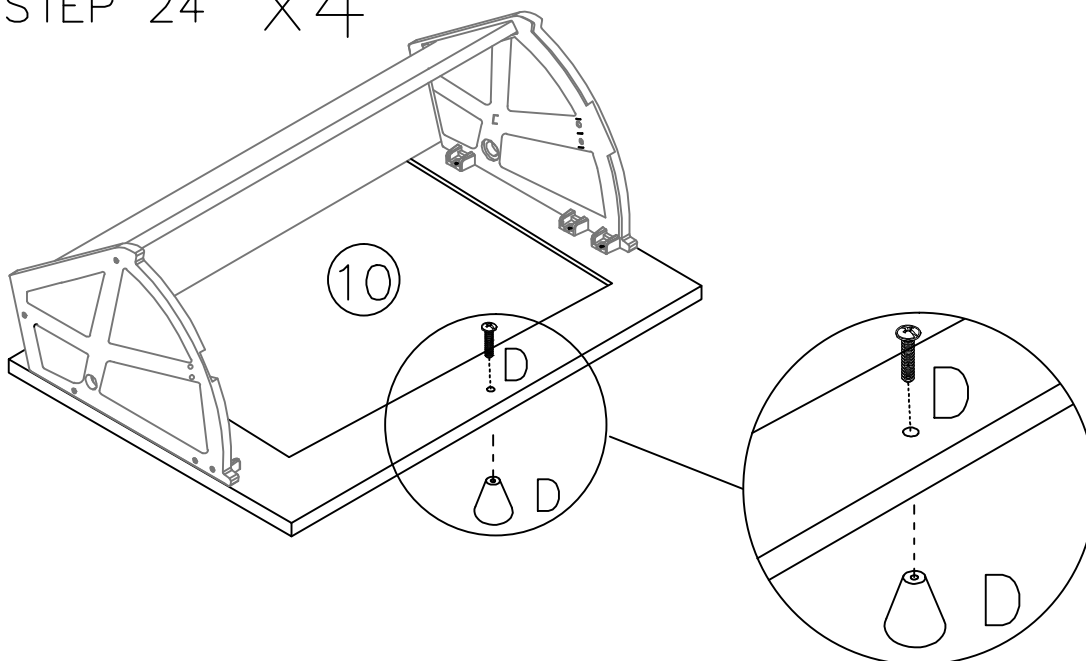
STEP 23 ×4



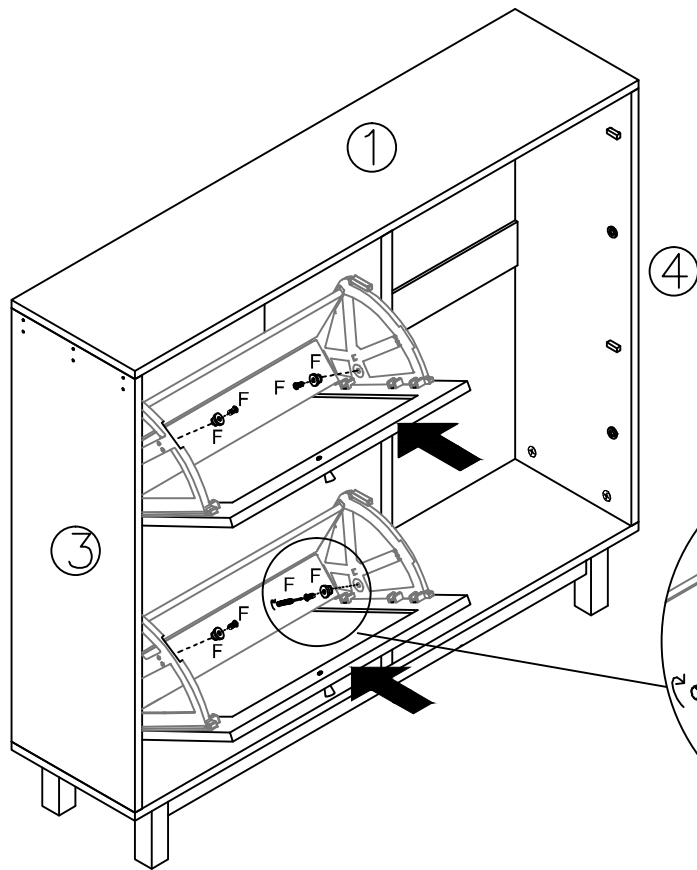
Excessive power of the electric drill may damage the holes, please use a screwdriver when installing the drawer



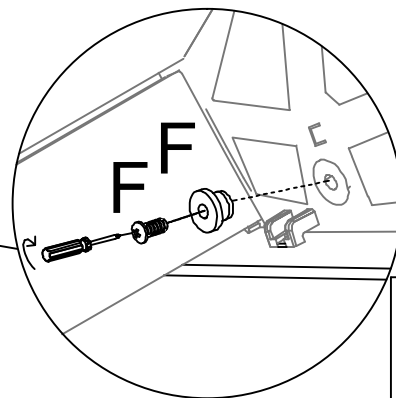
STEP 24 ×4





# STEP 25

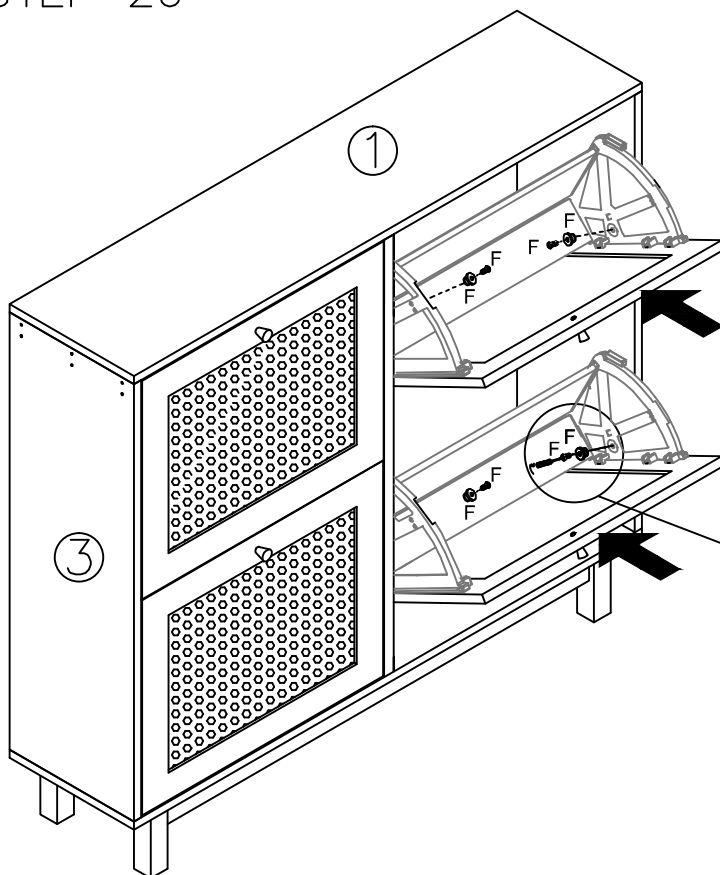


Excessive power of the electric drill may damage the holes, please use a screwdriver when installing the drawer

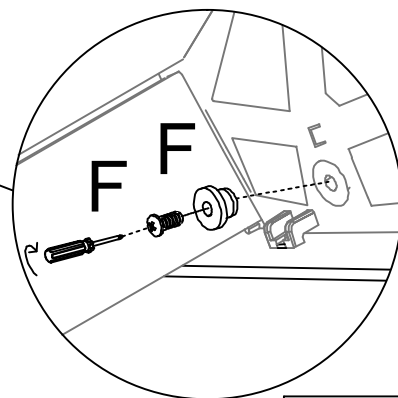




F	F
	
4PCS	4PCS

# STEP 26



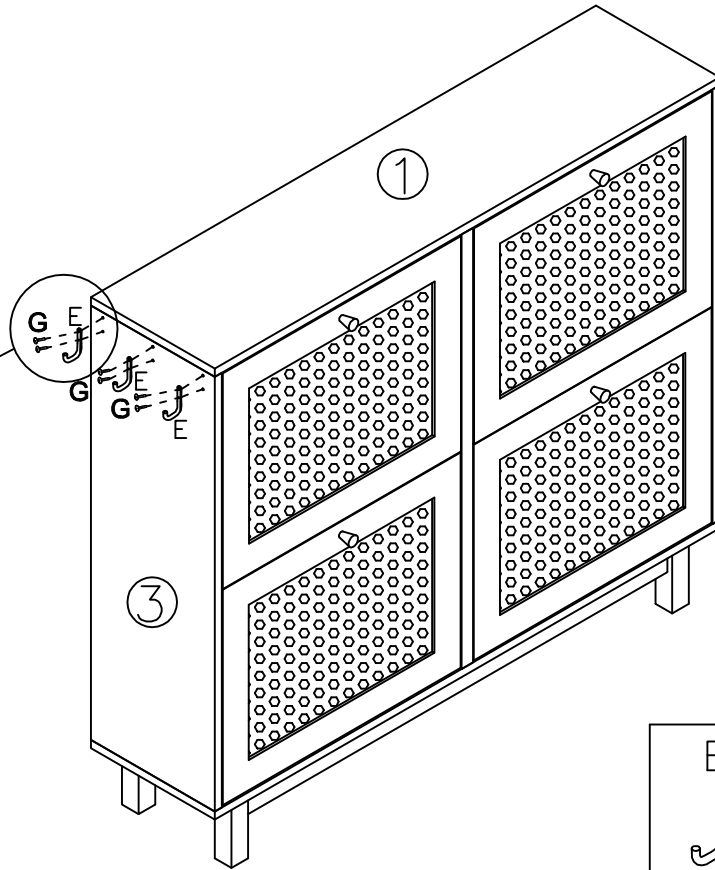
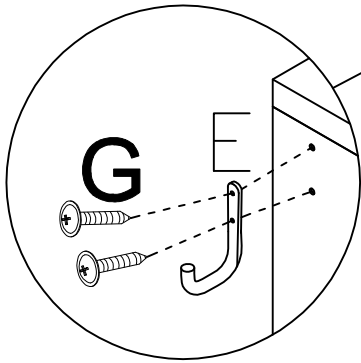
Excessive power of the electric drill may damage the holes, please use a screwdriver when installing the drawer





F	F
	
4PCS	4PCS

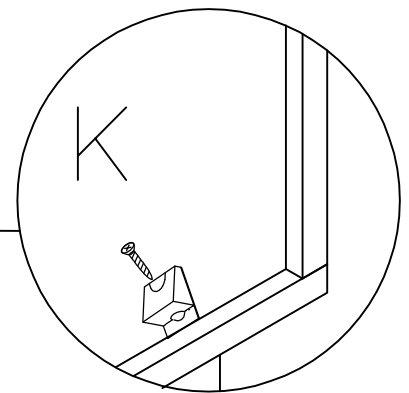
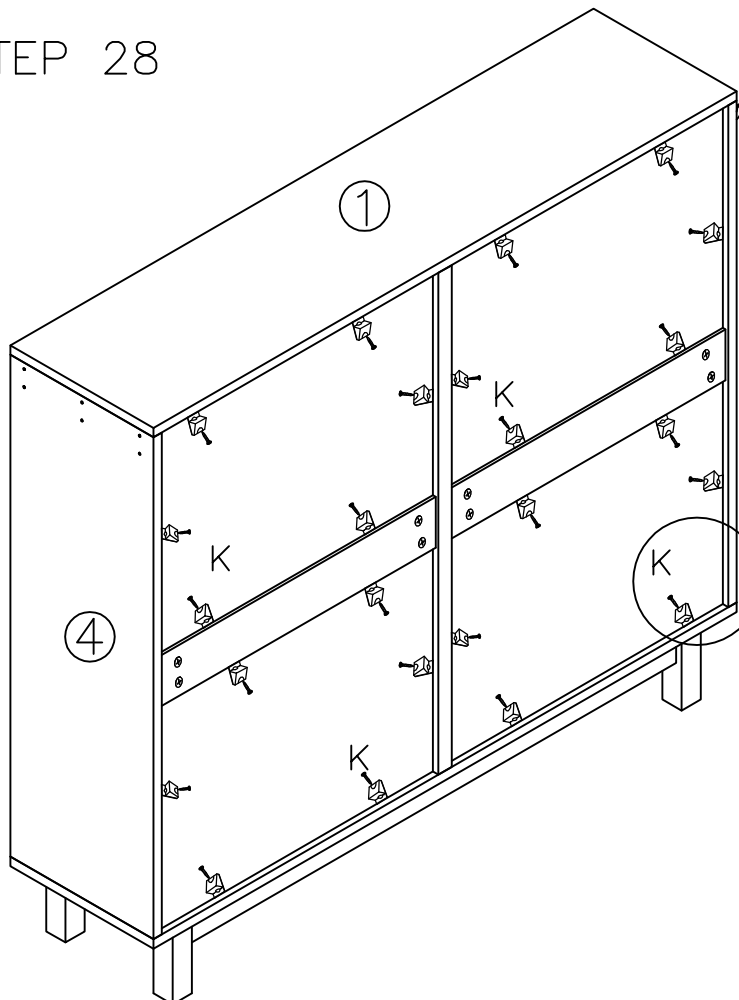
# STEP 27

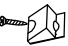
Customers can choose to install on board No. 3 or No. 4 according to their needs



E	G
	
3PCS	6PCS

# STEP 28



K

24PCS