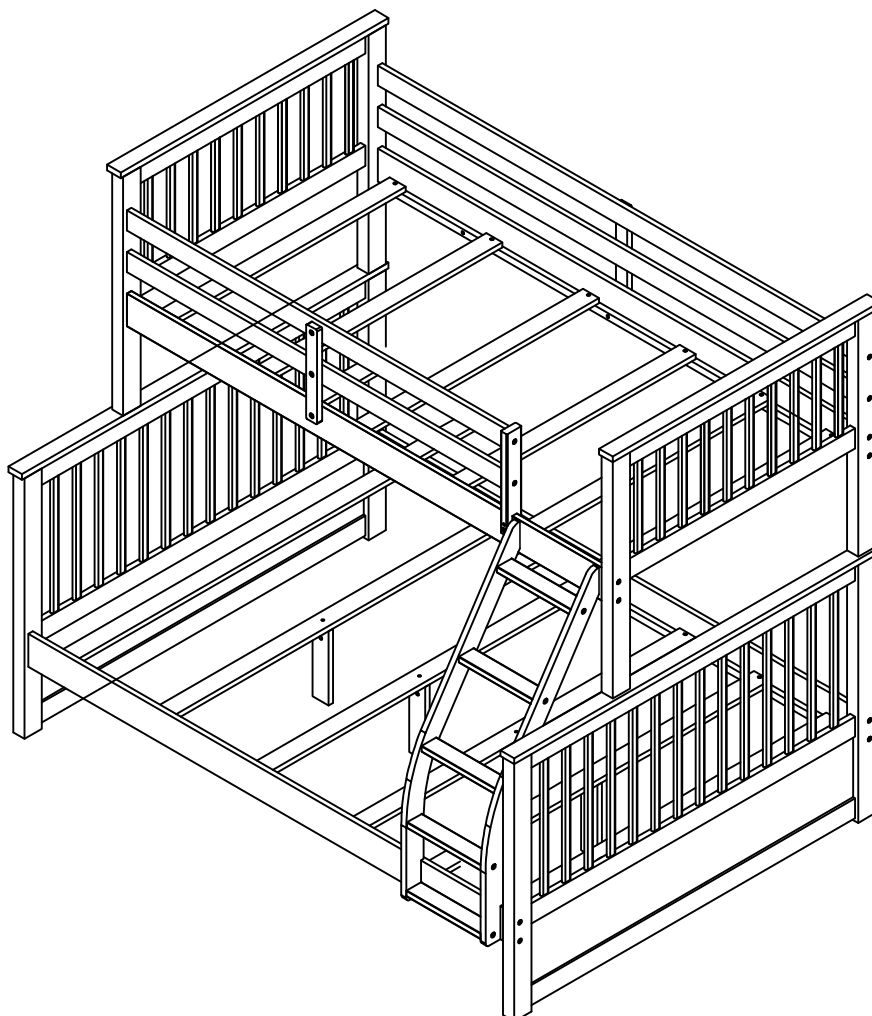


ASSEMBLY INSTRUCTION

1

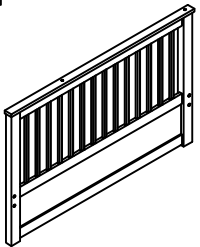
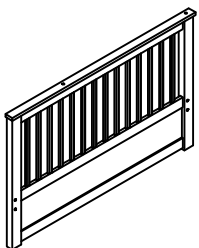
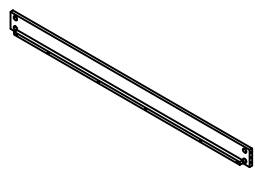
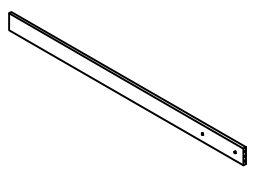
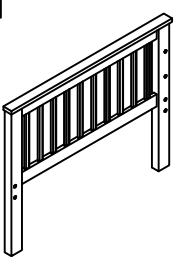
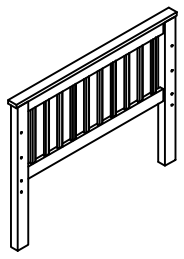
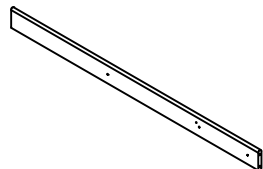
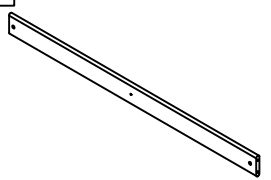
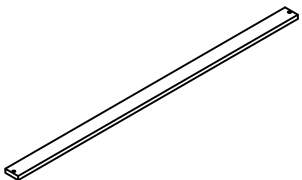

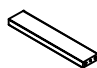
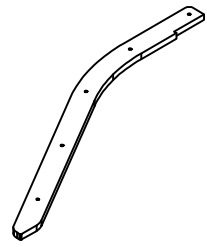
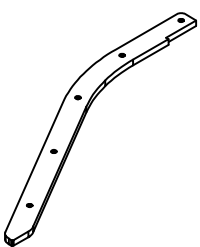
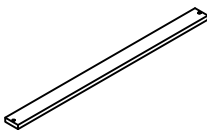
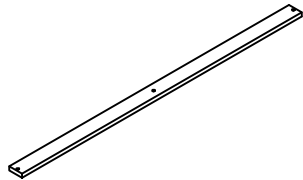
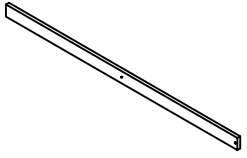
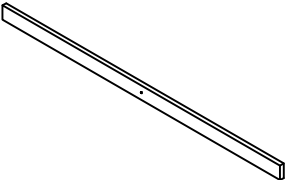




SAFETY WARNINGS

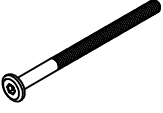

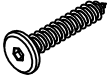

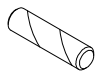
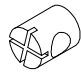
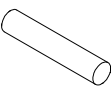



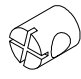
1. Follow the information on the warning label appearing on the upper bunk end structure and on the carton... **Do not remove warning label from bed.**
2. Always use the recommended size mattress or mattress support, or both, to help prevent the likelihood of entrapment or falls.
3. Surface of mattress must be at least 5 inches below the upper edge of guard rails.
4. Do not allow children under 6 years to use the upper bunk.
5. Prohibit more than one person on upper bunk.
6. Periodically check and ensure that the guardrail, ladder, and other components are in their proper position, free from damage, and that all connectors are tight.
7. Do not allow horseplay on or under the bed and prohibit jumping on the bed.
8. Always use the ladder for entering and leaving upper bunk.
9. Do not use substitute part. Contact the manufacturer or dealer for replacement part.
10. Use of night light may provide added safety precaution for a child using the upper bunk.
11. If the bunk bed will be placed next to a wall, the guardrail that runs the full length of the bed should be placed against the wall to prevent entrapment between the bed and the wall.
12. Always use guardrail on both long sides of the upper bunk.
13. The use of water or sleep flotation mattresses is prohibited.
14. Keep these instruction for future reference.
15. **Strangulation Hazard** - Never attach or hang items to any part of the bunk bed that are not designed for use with the bed, for example, but not limited to hooks, belts and jump rores.

PARTS LIST & ILLUSTRATION

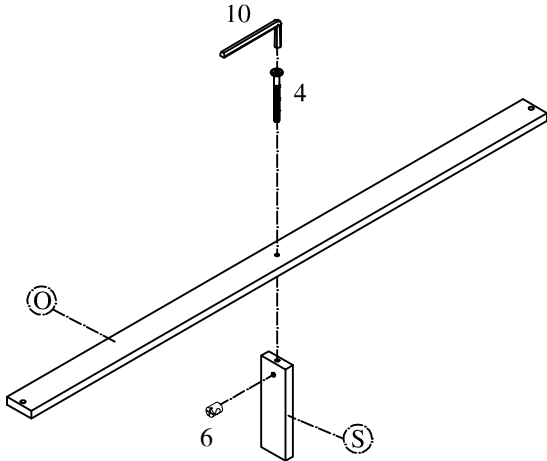
~~ Note : Do Not Fully Tighten Screws until Fully Assembled ~~

<p>A</p>  <p>Bottom right panel 1pc</p>	<p>B</p>  <p>Bottom left panel 1pc</p>	<p>C</p>  <p>Lower back side rail 1pc</p>	<p>D</p>  <p>Lower front side rail 1pc</p>
<p>E</p>  <p>Top right side panel 1pc</p>	<p>F</p>  <p>Top left side panel 1pc</p>	<p>G</p>  <p>Back upper side rails 1pc</p>	<p>H</p>  <p>Front upper side rails 1pc</p>
<p>I</p>  <p>Bottom slats 2pcs</p>	<p>M</p>  <p>Guardrail reinforce bars 2pcs</p>	<p>Q</p>  <p>Ladder step 5pcs</p>	<p>P</p>  <p>Ladder left side rail 1pc</p>
<p>R</p>  <p>Ladder right side rail 1pc</p>	<p>N</p>  <p>Upper slats 6pcs</p>	<p>O</p>  <p>Bottom slats 4pcs</p>	<p>K</p>  <p>Front Guardrail bars 2pcs</p>
<p>J</p>  <p>Back Guardrail bars 2pcs</p>	<p>L</p>  <p>Front side Guardrail bars 1pc</p>	<p>S</p>  <p>Center supports 4pcs</p>	

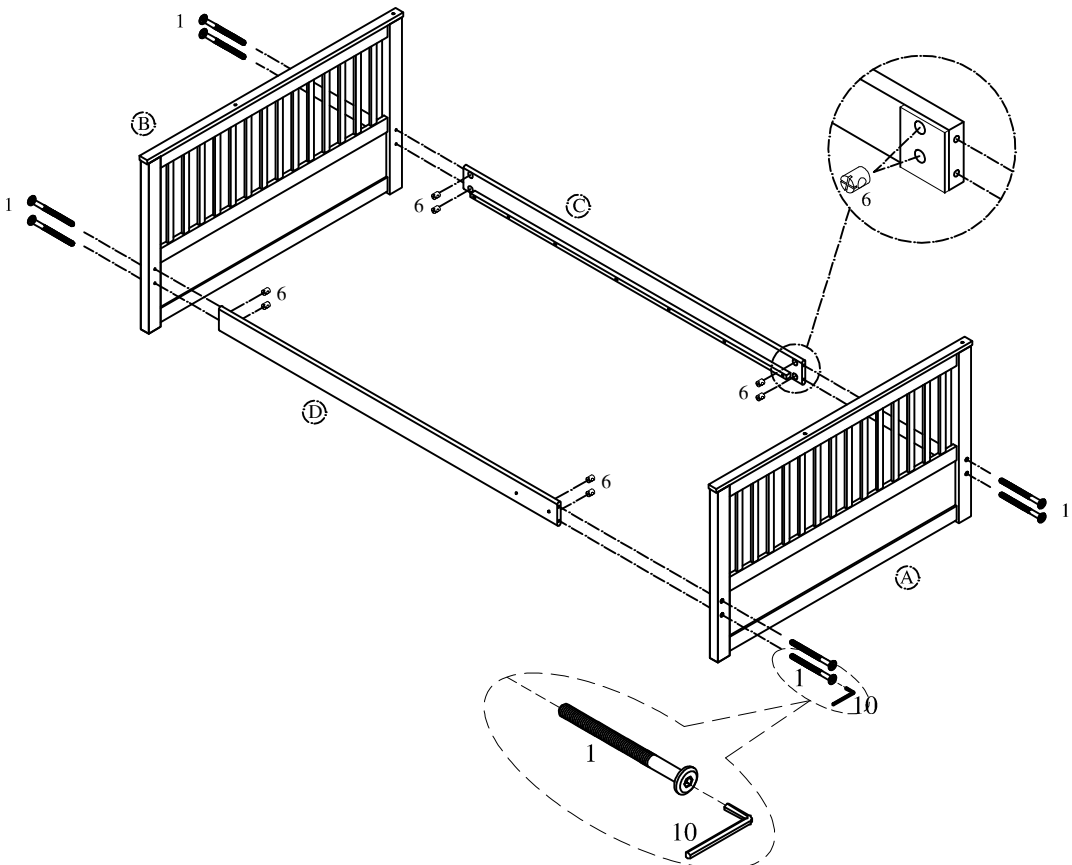
HARDWARE & ILLUSTRATION

<p>1</p>  <p>Ø16x Ø1/4" x 85mm Hex-Head bolts 22pcs</p>	<p>2</p>  <p>Ø16x Ø1/4" x 30mm Hex-Head bolts 8pcs</p>	<p>3</p>  <p>Ø16x Ø1/4" x 50mm Hex-Head bolts 10pcs</p>	<p>4</p>  <p>Ø16x Ø1/4" x 65mm Hex-Head bolts 6pcs</p>	<p>5</p>  <p>Ø8 x 30mm Wood dower 36pcs</p>
<p>6</p>  <p>Ø1/4" x 15mm Horizontal-Hole bolts 20pcs</p>	<p>7</p>  <p>Ø10 x 90mm Stell dower 4pcs</p>	<p>8</p>  <p>Ø8 x 30mm Wood Screws 24pcs</p>	<p>9</p>  <p>Ø16x Ø1/4" x 45mm Hex-Head bolts 4pcs</p>	<p>10</p>  <p>Allen Key 1pc</p>
<p>11</p>  <p>Ø1/4" x 13mm Horizontal-Hole bolts 8pcs</p>				

Step 1

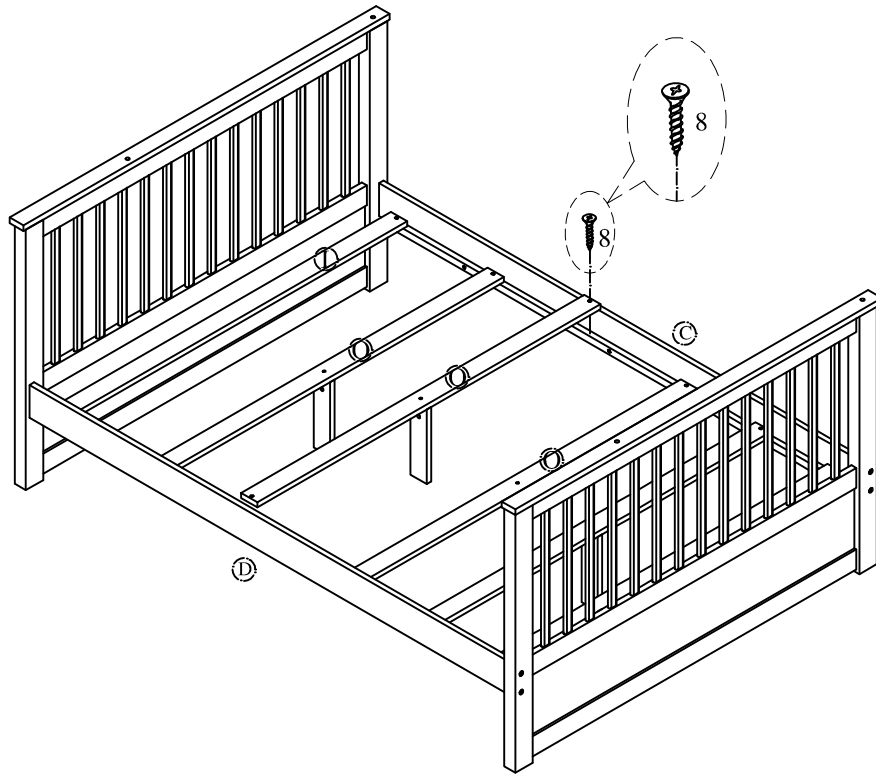


Step 2

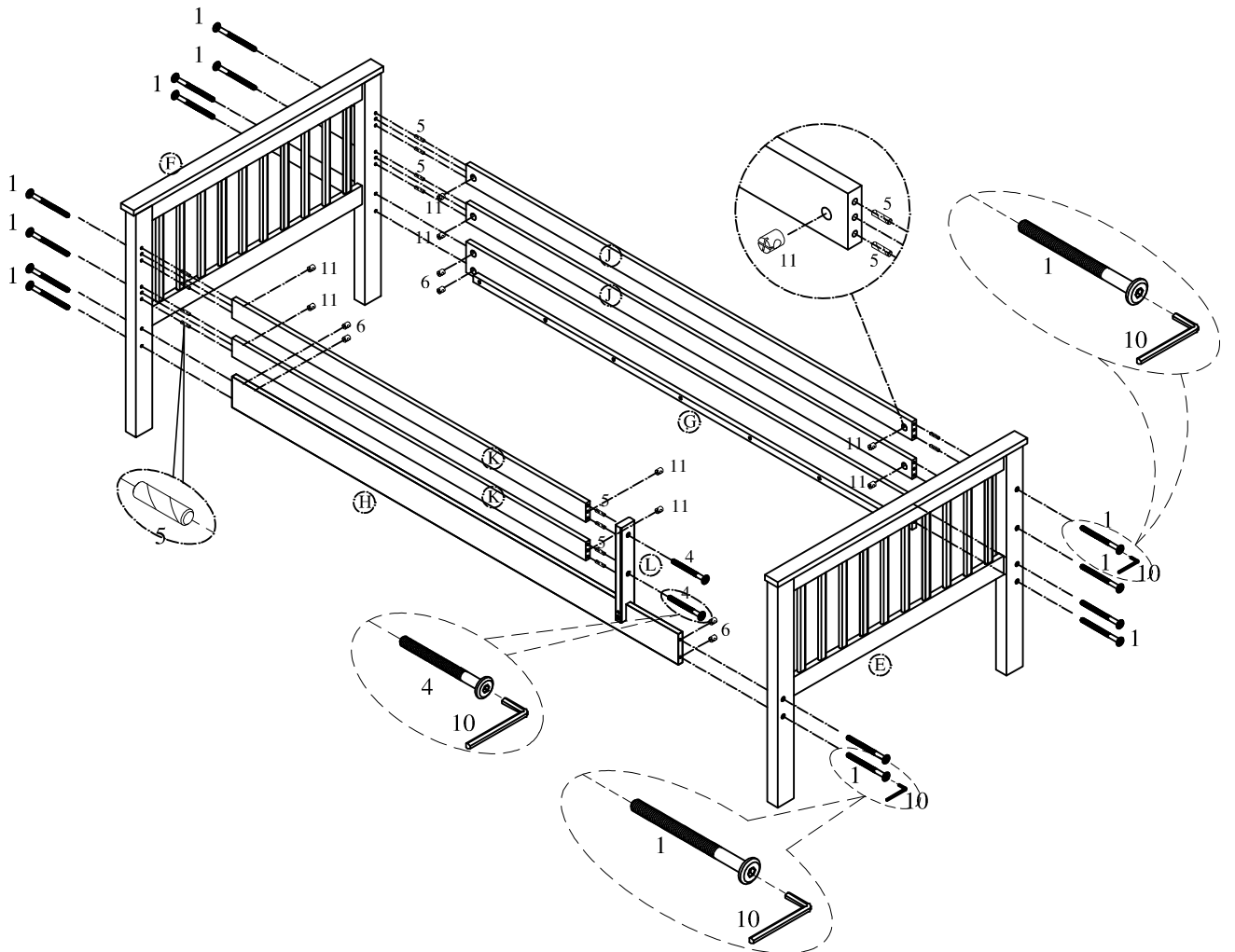


Step 3

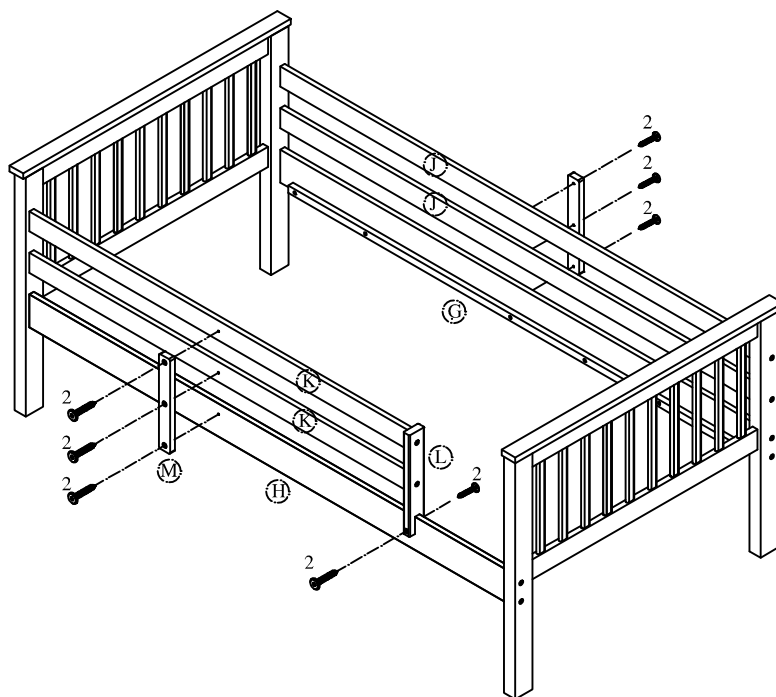
5



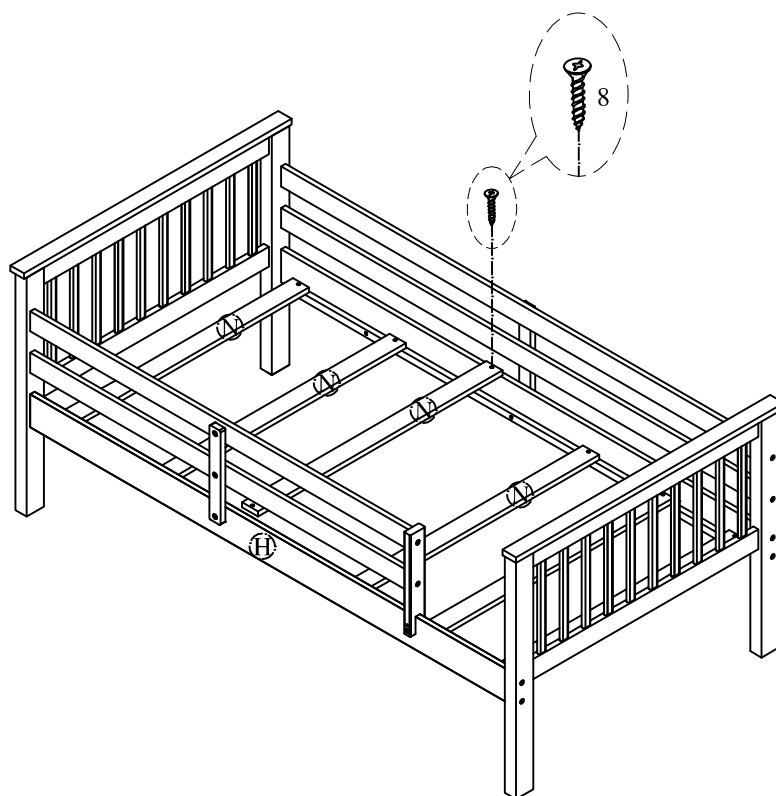
Step 4



Step 5

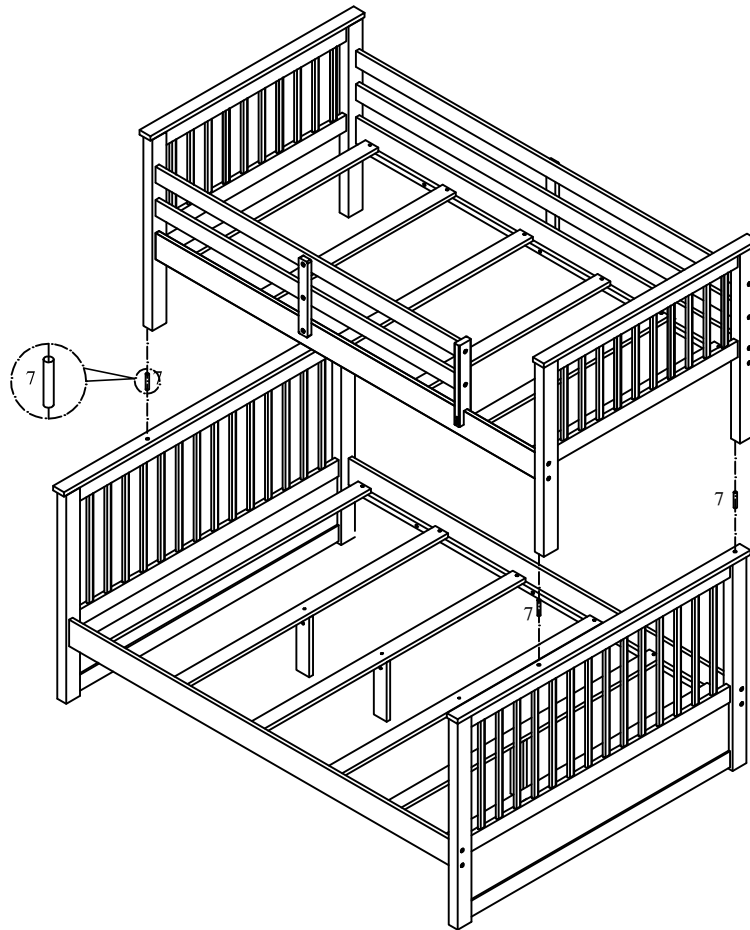


Step 6

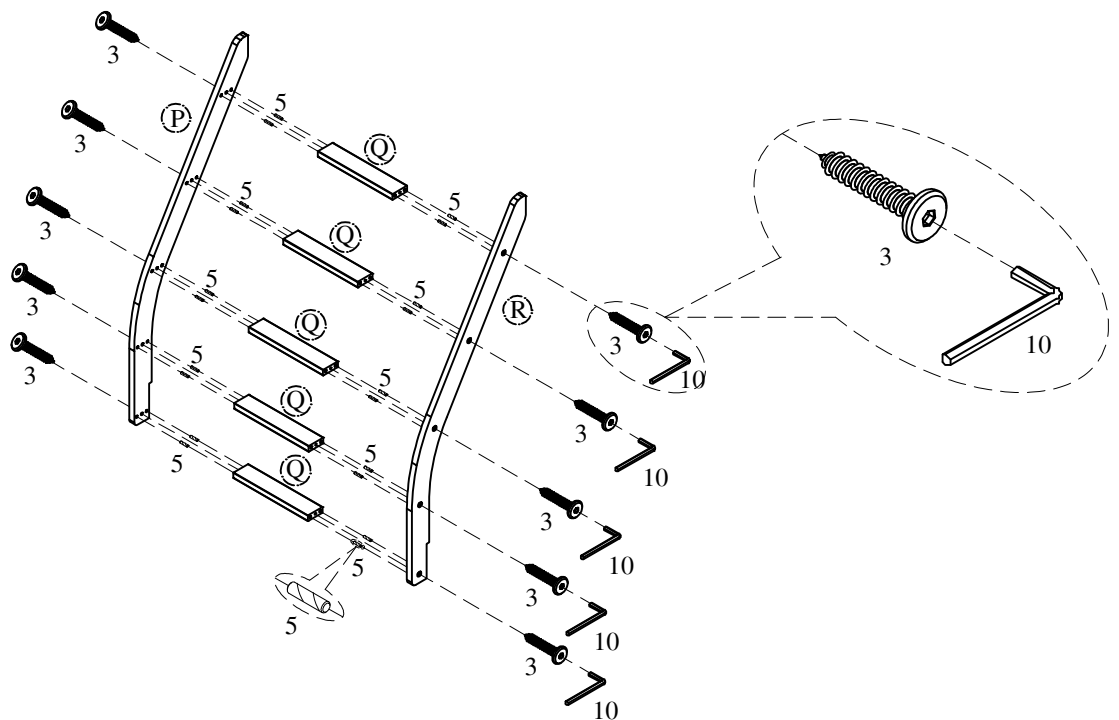


Step 7

7



Step 8



Step 9

