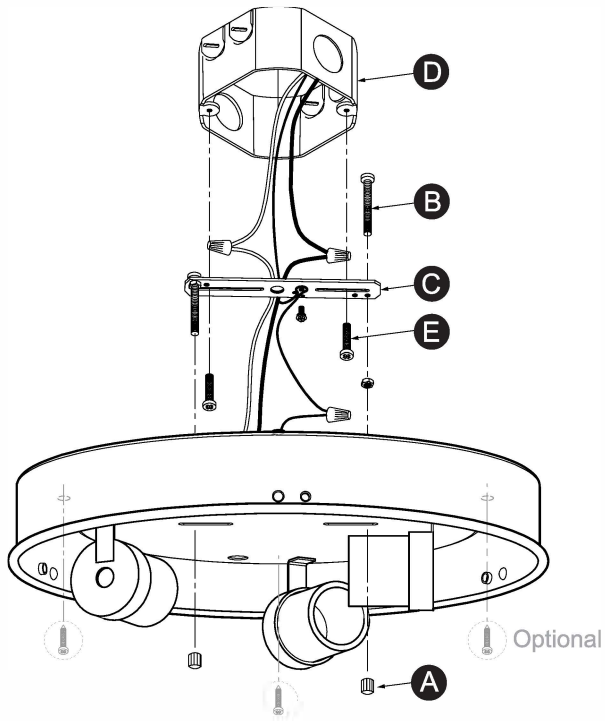


# Assembly Instructions

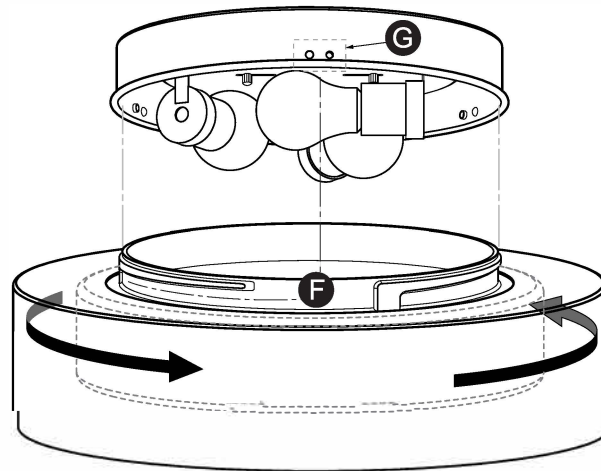
## STEP 1



1. Screw the metal plate to the connecting box:
  - unscrew caps (A) to separate the metal plate (C) from the canopy (screws (B) remain inserted in the plate)
  - mount the metal plate to the connecting box (D) with screws (E)
2. Mount the canopy to the ceiling:
  - connect wires
  - pass the canopy through screws (B) and screw back caps (A)

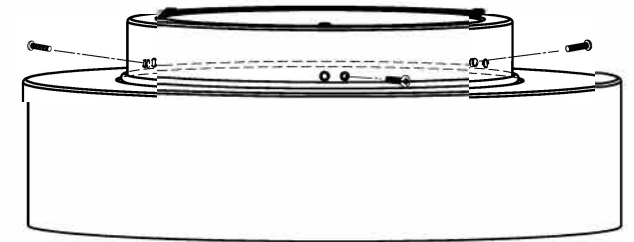
*Optional: 3 additional holes are available to fix the canopy to the ceiling.*

## STEP 2



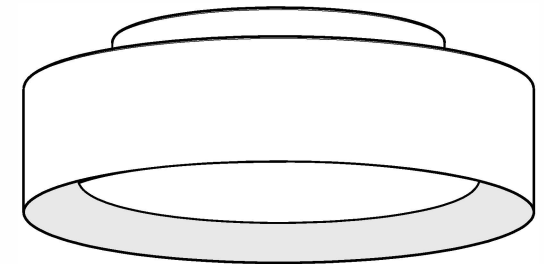
3. Screw the lightbulbs
4. Mount the shade:
  - put the metal shade onto the glass shade
  - position the glass shade so as parts without grooves (F) match with holes (G) on the canopy then fit the glass shade into the canopy and slide it to the right to secure the assembling (the nib on the canopy will be locked in the grooves).

## STEP 3



5. Finalize the assembly by gently inserting 3 screws at the edge of the canopy as an extra safety hold of the glass shade (do not force or overtighten the screws as it may cause the glass shade to break).

*If needed, reposition the metal shade to have centered with the glass shade.*



Your flushmount is ready.

*To change lightbulbs, proceed to the same steps 2 and 3 but reverse.*