

Assembly Instruction & Care:





Please assemble on a soft surface after removing contents as not to scratch or damage stone surface.

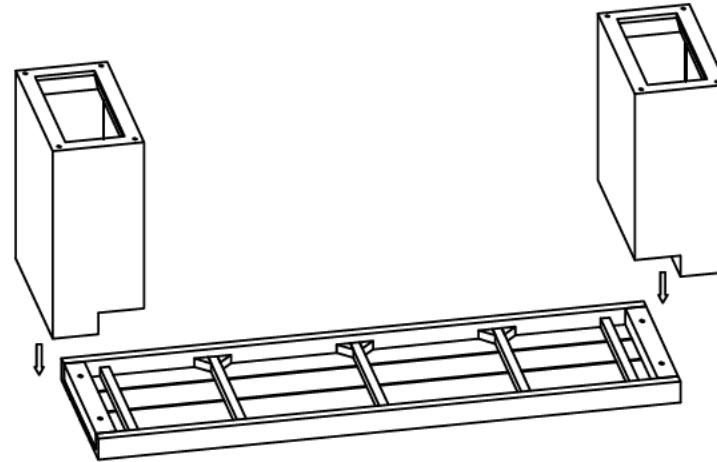
Also, take caution with finger prints and dirt during assembly.

Wash with soft cloth and mild detergent like Dawn or Palmolive diluted with warm water.

Scrub gently.

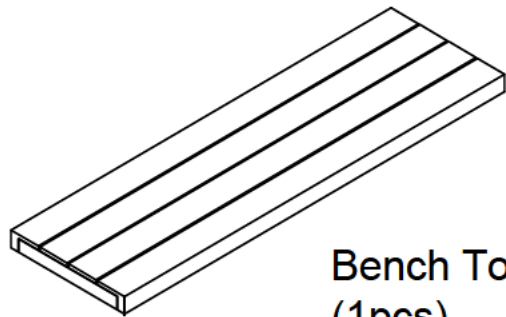
Enjoy!

ITEM	Description	Q'ty
A	 Bolt M8 x 70	04
B	 Lock Washer M8	04
C	 Flat Washer M8	04
D	 Allen Key	01



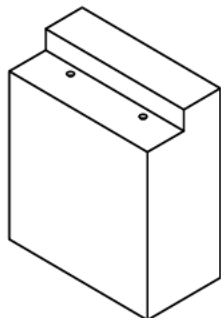
Step 1

Place Bench top on a soft surface upside down as shown.

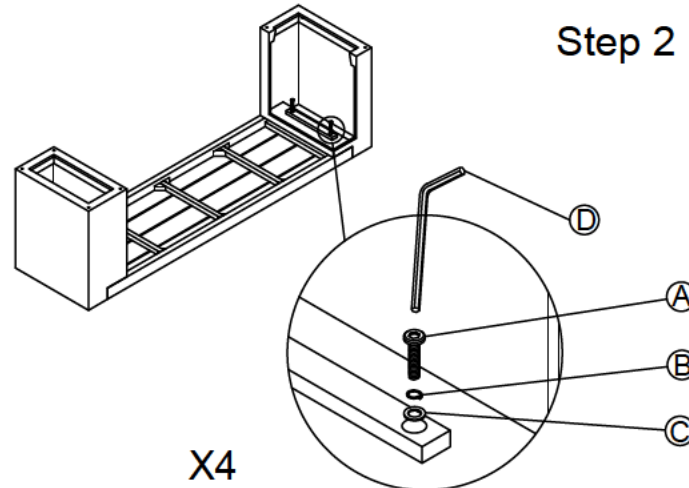


**Bench Top
(1pcs)**

**Bench Base
(2pcs)**



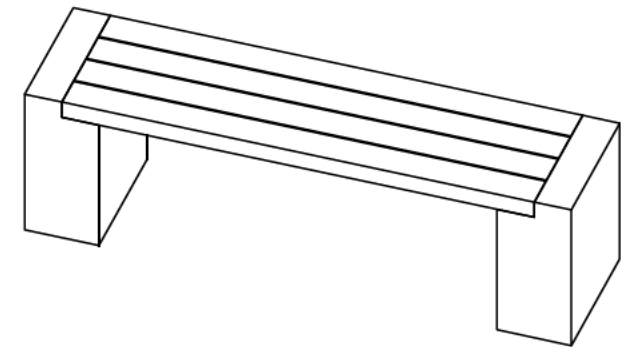
**Faces up when
assembled face down**



Step 2

Fasten (4) "A" Bolts (4) "B" Lock washers and (4) Flat washers "C" to bench top underside and frame.

Step 3



With 2 people carefully stand Bench upright