

# *ASSEMBLY INSTRUCTIONS*



*Fine Furniture for every stage of life*

**Eastern King Bed**

REVISION 0 : 05/30/2022  
REVISION 1 : 09/21/2023

# ASSEMBLY INSTRUCTIONS

## ASSEMBLY TIPS:

1. Remove hardware from box and sort by size.
2. Please check to see that all hardware and parts are present prior to start of assembly.
3. Please follow attached instructions in the same sequence as numbered to assure fast & easy assembly.



### WARNING!

1. Don't attempt to repair or modify parts that are broken or defective. Please contact the store immediately.
2. This product is for home use only and not intended for commercial establishments.


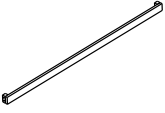
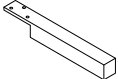
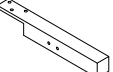


ASSEMBLY TIME

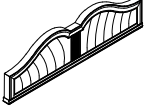
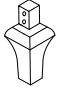
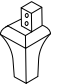
30 MINUTES

## PARTS IDENTIFICATION

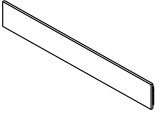

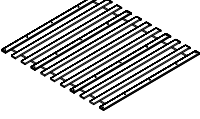


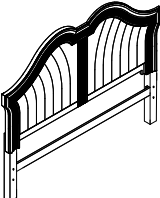
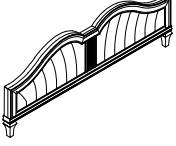
### B1 (BOX 1)

A	HEADBOARD PANEL		1PC	B	HEADBOARD BOTTOM RAIL		1PC
C	RIGHT HEADBOARD LEG		1PC	D	LEFT HEADBOARD LEG		1PC

### B2 (BOX 2)

E	FOOTBOARD		1PC	F	RIGHT FOOTBOARD LEG		1PC
G	LEFT FOOTBOARD LEG		1PC				

### B3 (BOX 3)

H	BED RAIL		2PCS	I	BED SLAT SUPPORT WITH LEVELER		8PCS
J	ROLL SLAT (11PCS)		1SET	K	CENTER RAIL		1PC
L	CENTER RAIL SUPPORT WITH LEVELER		3PCS				
HB	FROM BOX 1 HEADBOARD COMPLETE		1PC	FB	FROM BOX 2 FOOTBOARD		1PC

### NOTE:

Phillips head screw driver is required in the assembly process; however, manufacturer does not provide this item.

# ASSEMBLY INSTRUCTIONS

## ASSEMBLY TIPS:

1. Remove hardware from box and sort by size.
2. Please check to see that all hardware and parts are present prior to start of assembly.
3. Please follow attached instructions in the same sequence as numbered to assure fast & easy assembly.




## WARNING!

1. Don't attempt to repair or modify parts that are broken or defective. Please contact the store immediately.
2. This product is for home use only and not intended for commercial establishments.

## HARDWARE IDENTIFICATION

### BOX 1 - HARDWARE PACK

1 BOLT  
( $\varnothing$ 5/16" x 45MM - RBW)  10PCS

3 FLAT WASHER  
( $\varnothing$ 5/16" - RBW)  10PCS

2 LOCK WASHER  
( $\varnothing$ 5/16" - RBW)  10PCS

4 ALLEN WRENCH  
(4MM - RBW)  1PC

### BOX 2 - HARDWARE PACK

5 BOLT  
( $\varnothing$ 5/16" x 55MM - RBW)  4PCS

7 FLAT WASHER  
( $\varnothing$ 5/16" - RBW)  4PCS

6 LOCK WASHER  
( $\varnothing$ 5/16" - RBW)  4PCS

8 ALLEN WRENCH  
(4MM - RBW)  1PC

### BOX 3 - HARDWARE PACK

9 THREADED BOLT  
( $\varnothing$ 5/16" x 90MM - RBW)  8PCS

11 HEX NUT  
( $\varnothing$ 5/16" x 14MM - RBW)  8PCS

13 FLAT HEAD SCREW  
( $\varnothing$ 4 x 30MM - RBW)  12PCS

10 HALF ROUND NUT  
( $\varnothing$ 5/16" - RBW)  8PCS

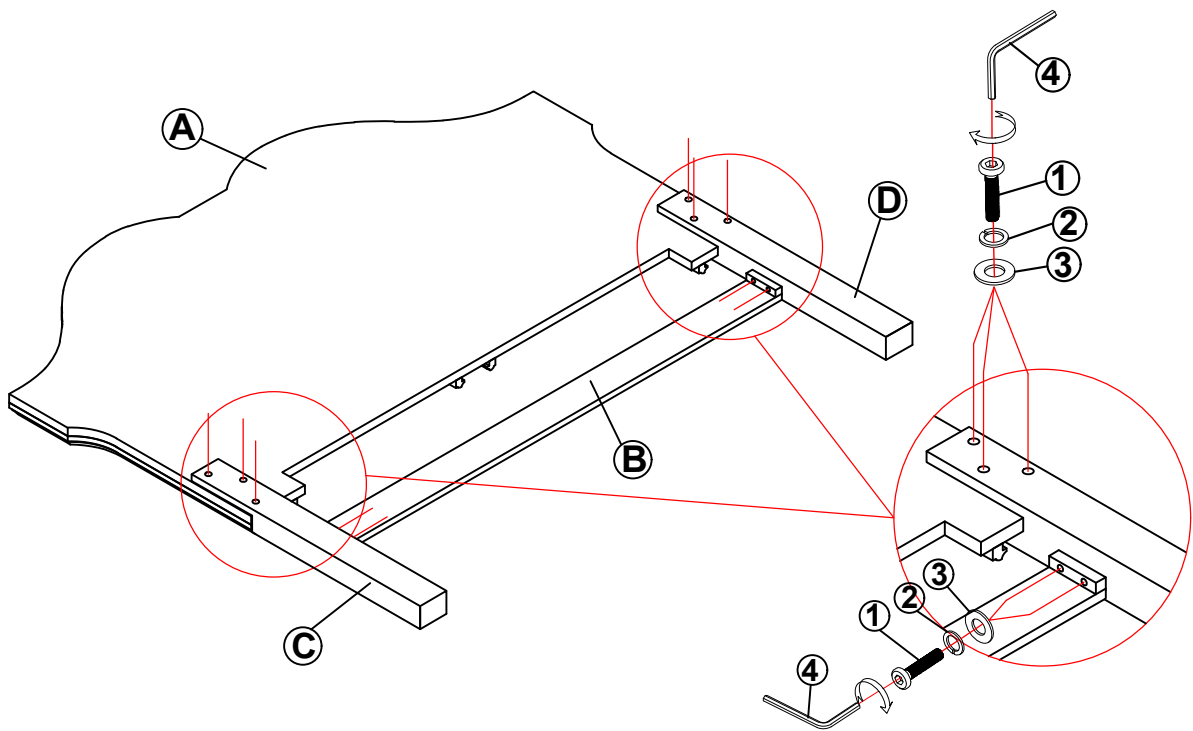
12 WRENCH  
(14MM - RBW)  1PC

## NOTE:

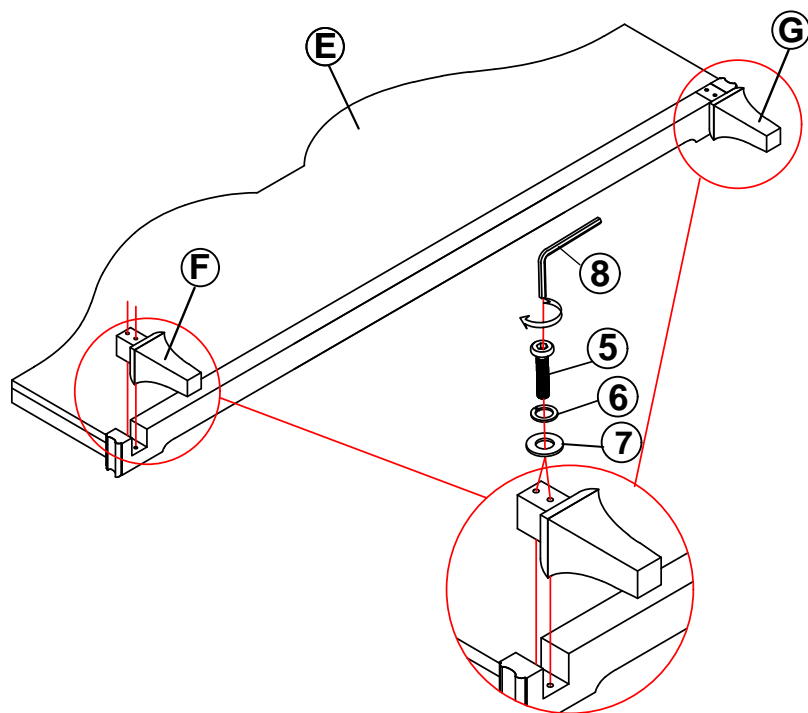
Phillips head screw driver is required in the assembly process; however, manufacturer does not provide this item.

# ASSEMBLY INSTRUCTIONS

## STEP 1

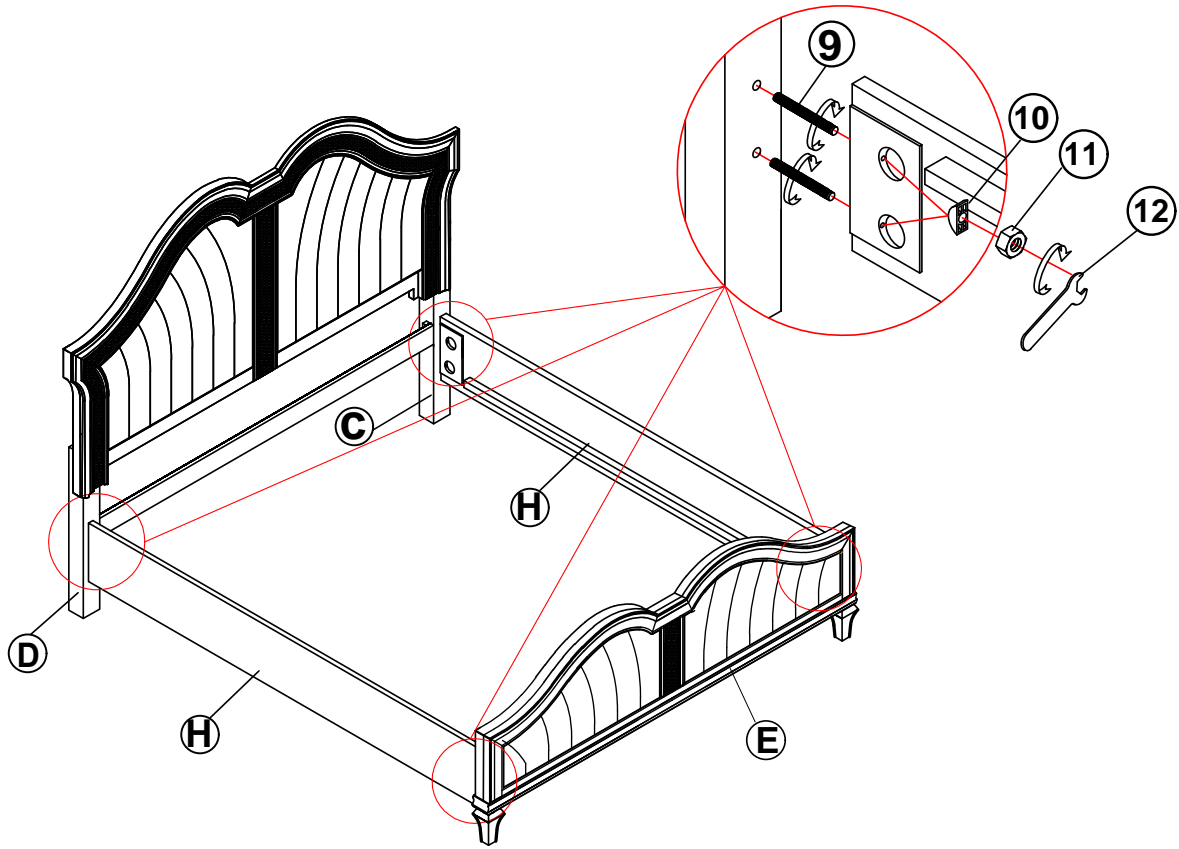


## STEP 2

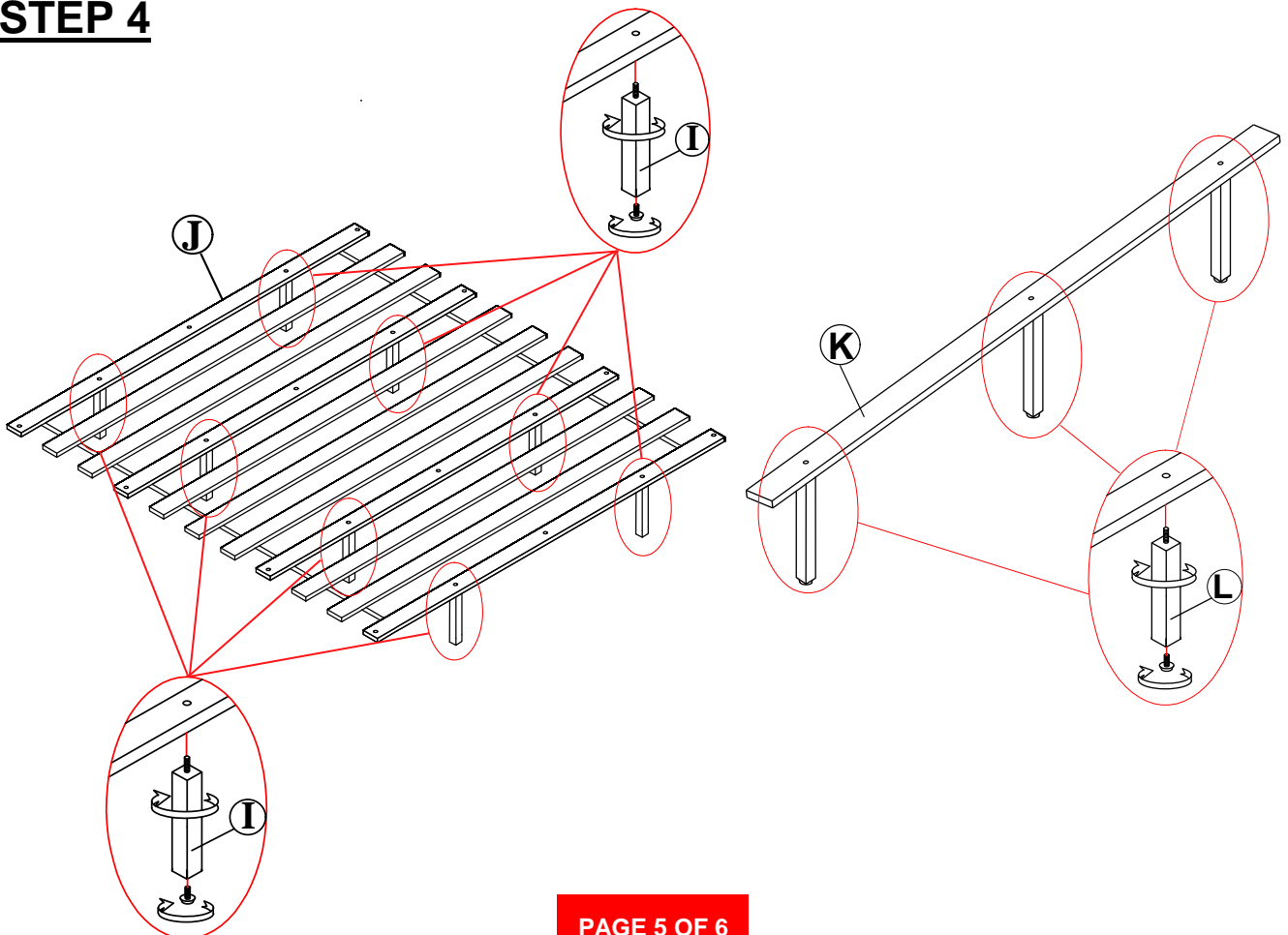


# ASSEMBLY INSTRUCTIONS

## STEP 3

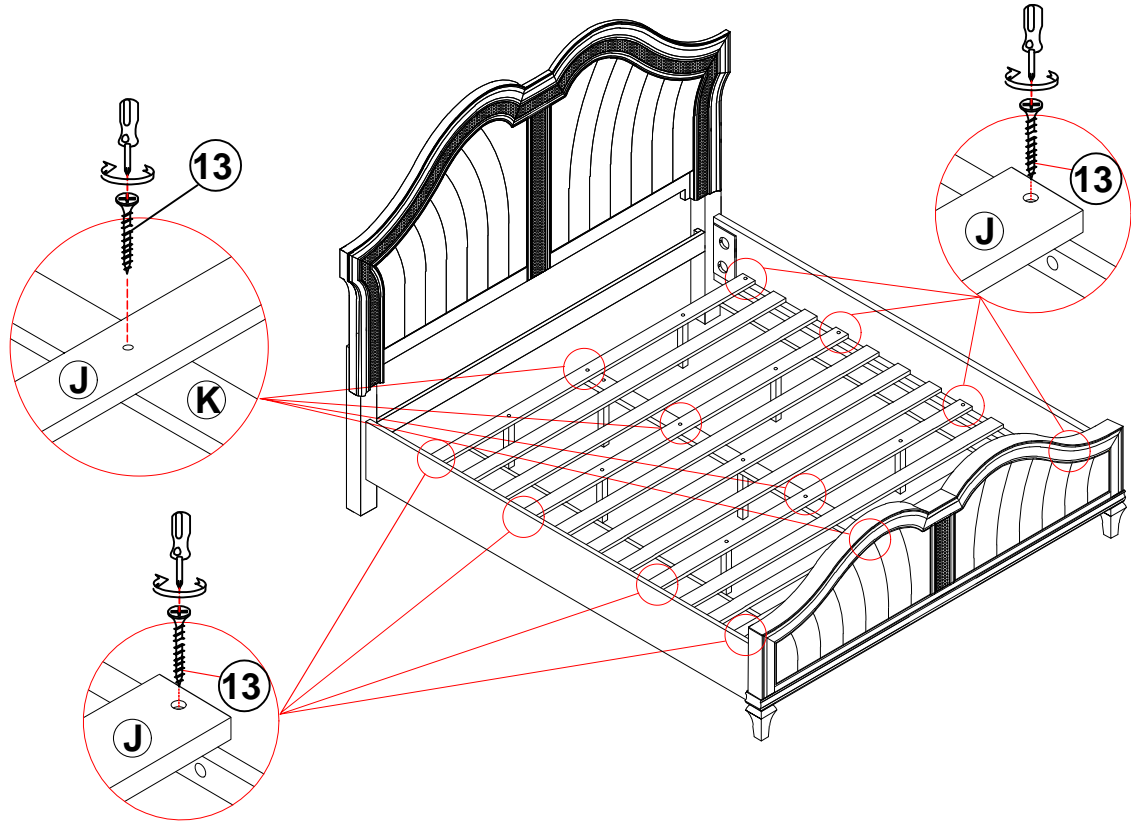


## STEP 4



# ASSEMBLY INSTRUCTIONS

## STEP 5



## STEP 6

### COMPLETE

