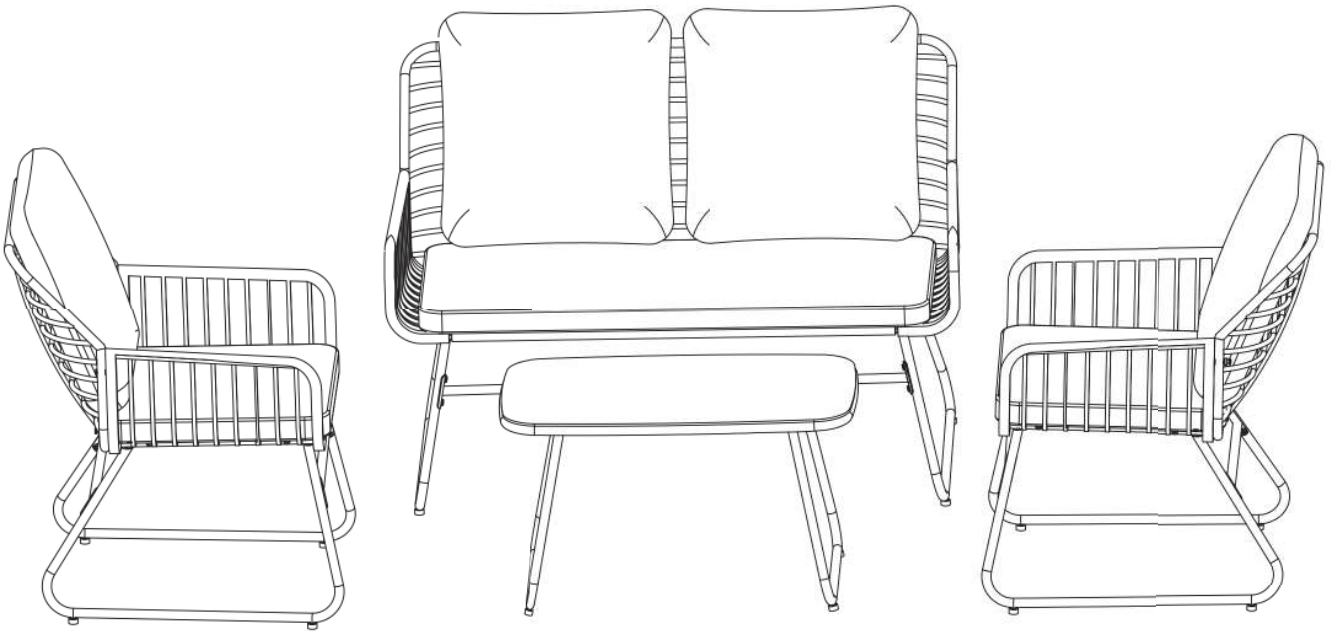



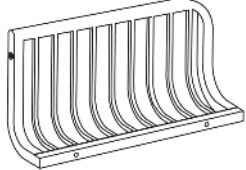
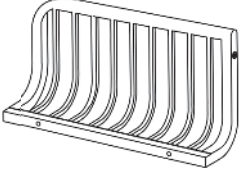
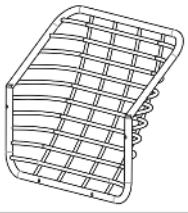
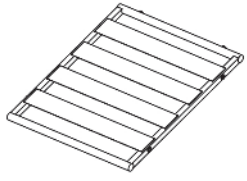
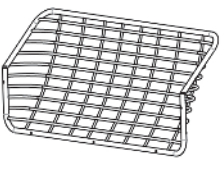
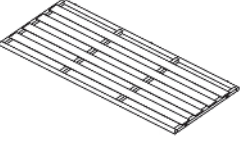
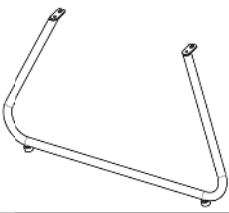
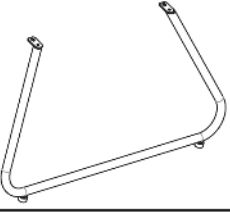
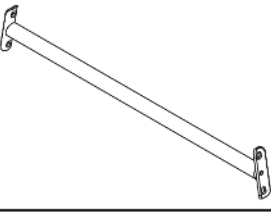
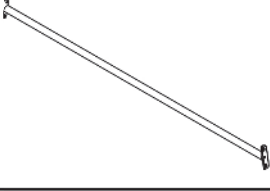
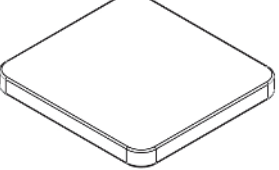
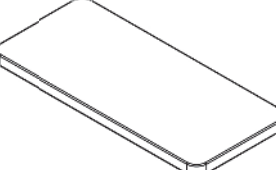
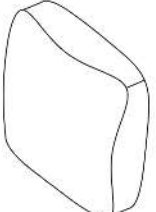







Installation & Assembly



PART NAME

A	B	C	D	E
				
X2	X1	X1	X3	X3
F	G	H	I	J
				
X2	X2	X1	X1	X3
K	L	M	N	O
				
X3	X4	X2	X2	X1
P	Q	R	S	T
	 M6*15	 M6*30	 M6*35	
X4	X44	X12	X13	X69
U				
				
X1				

INSTALLATION STEPS

1



AX2



BX1

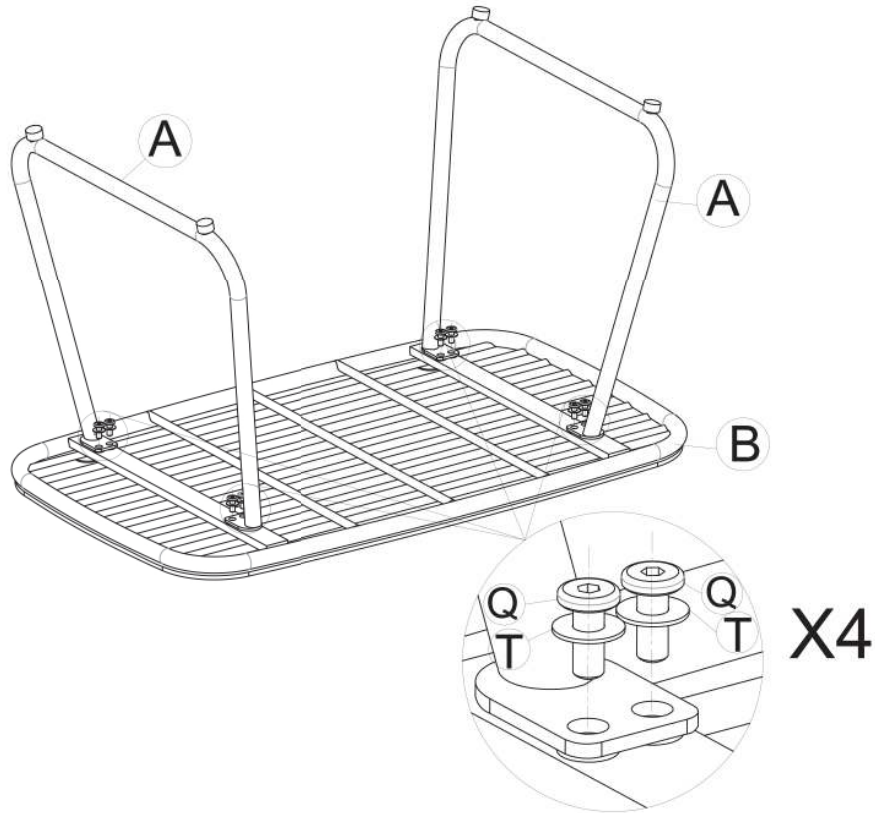


M6*15

QX8



TX8



2



CX1

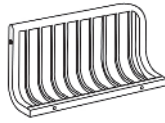


INSTALLATION STEPS

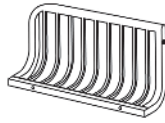
3



FX1



DX1



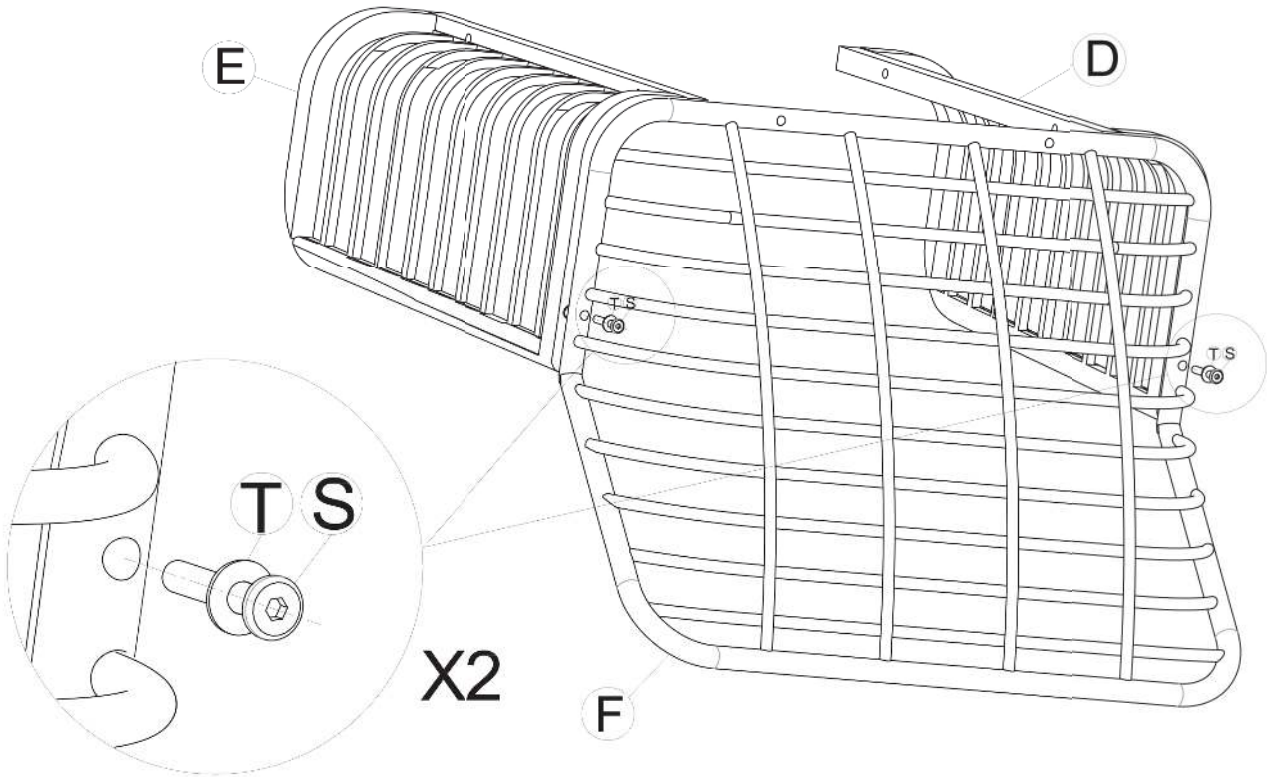
EX1



M6*35
SX2



TX2



4



GX1



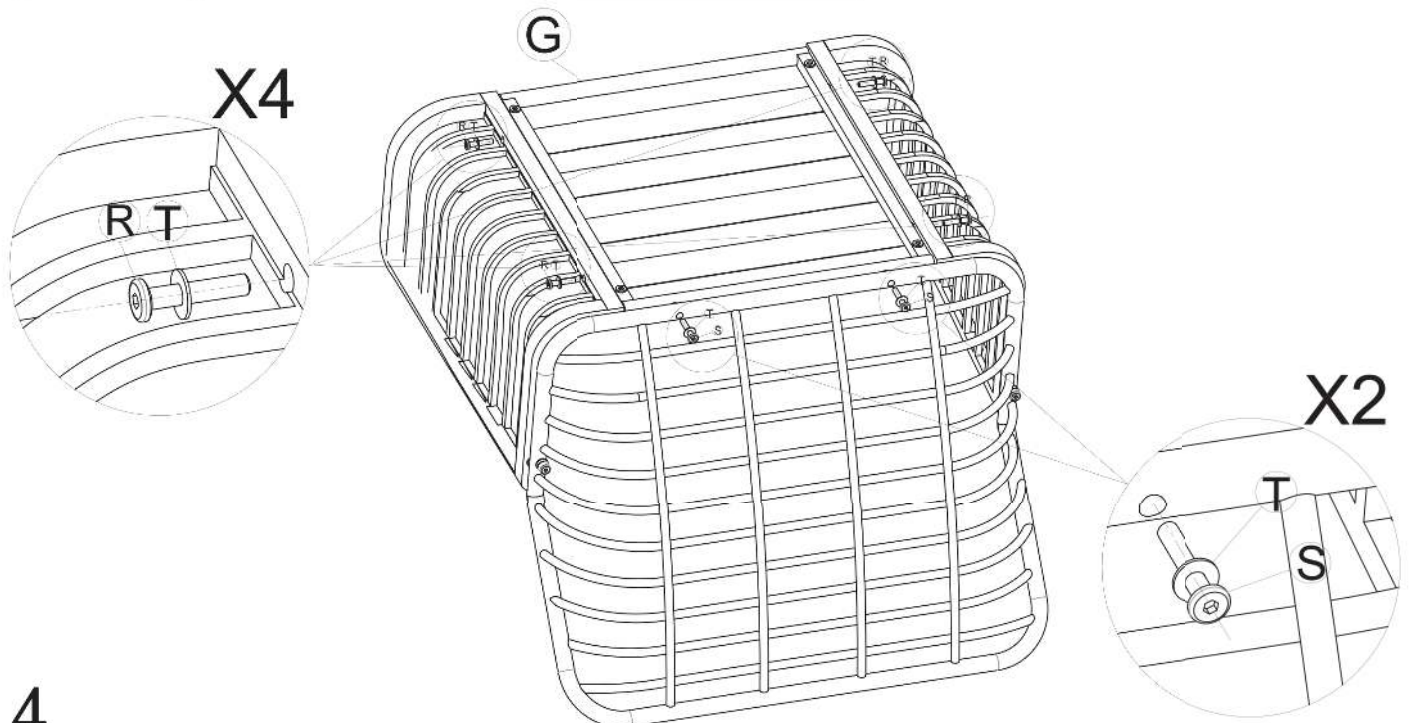
M6*30
RX4



M6*35
SX2



TX6



INSTALLATION STEPS

5



JX1



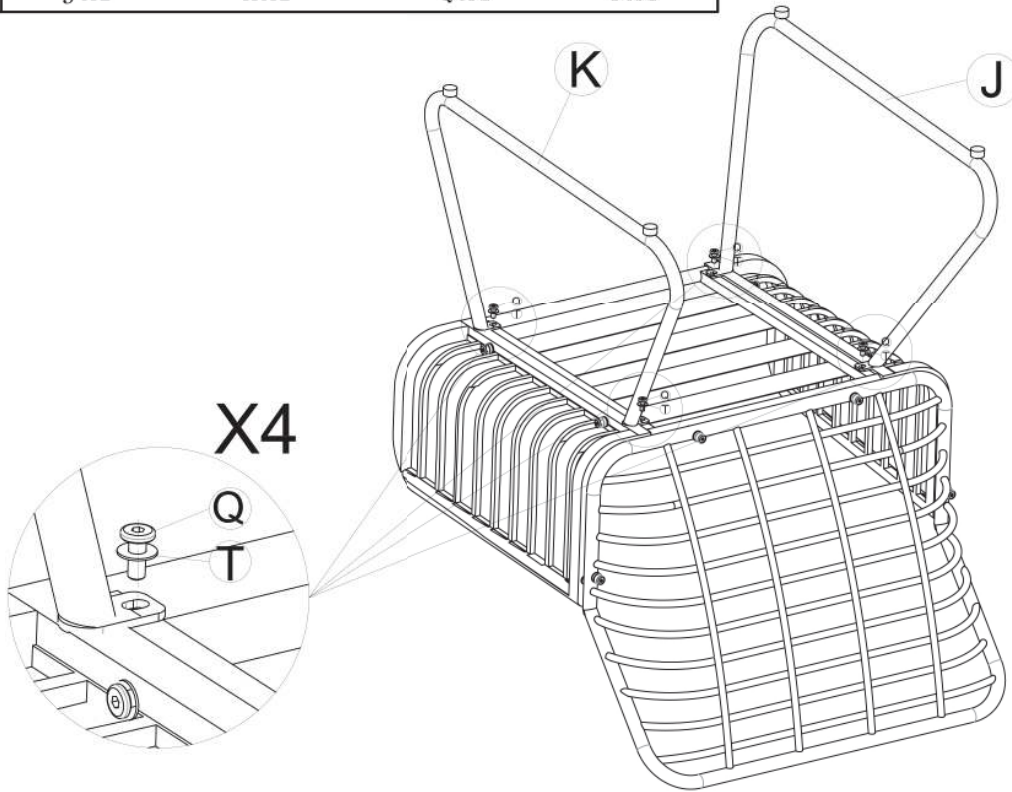
KX1



M6*15
QX4



TX4



6



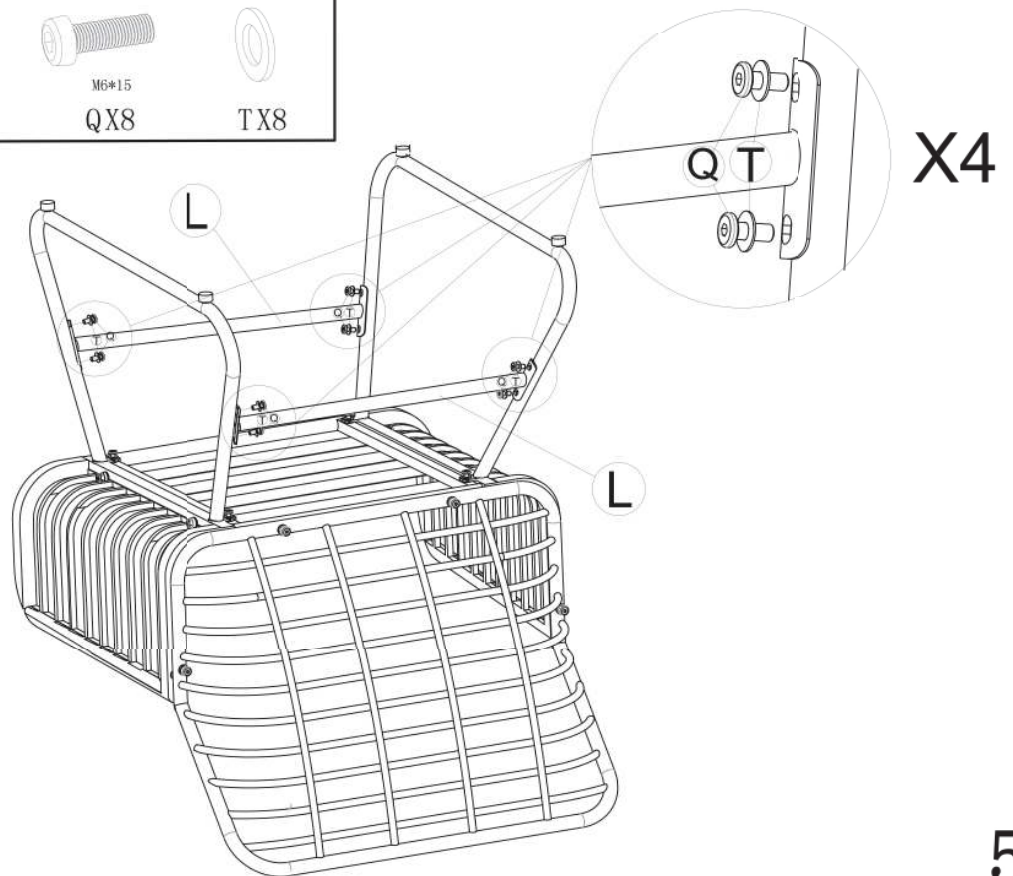
LX2



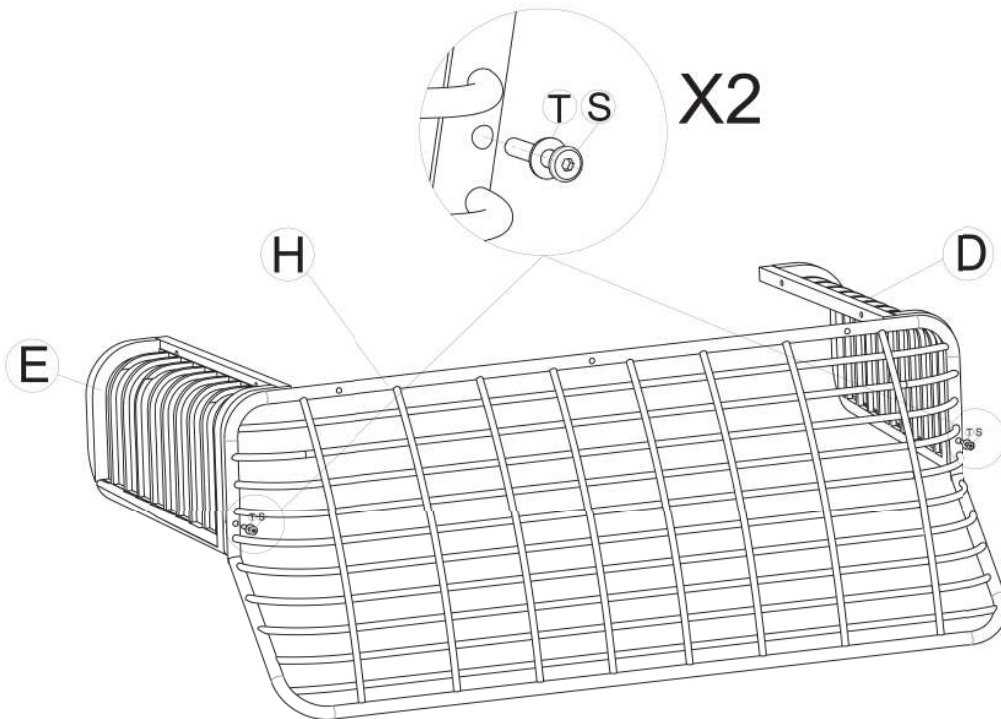
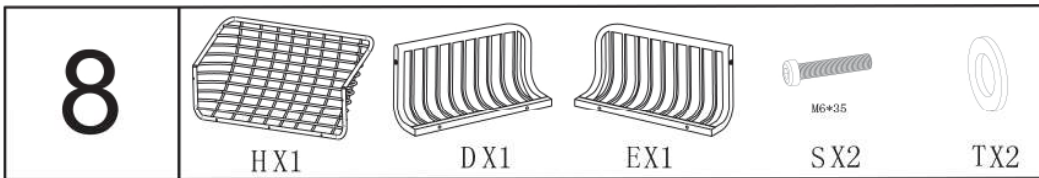
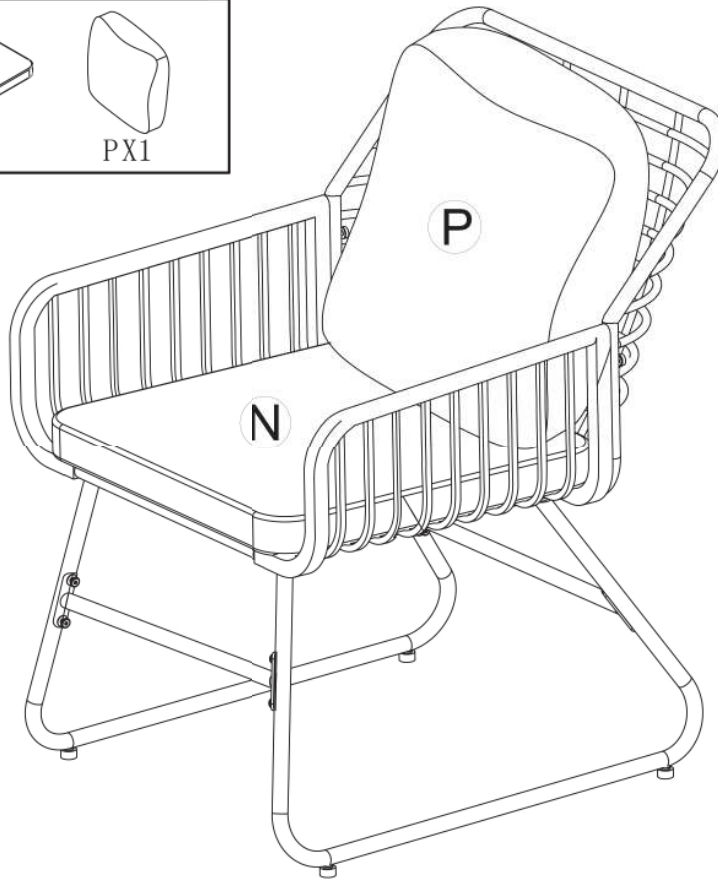
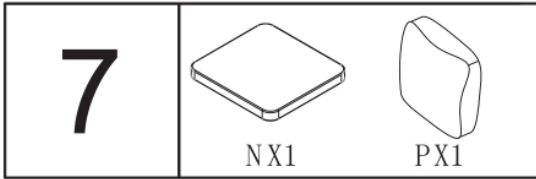
M6*15
QX8



TX8

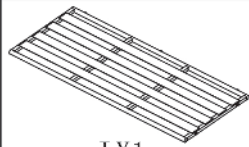


INSTALLATION STEPS



INSTALLATION STEPS

9



IX1



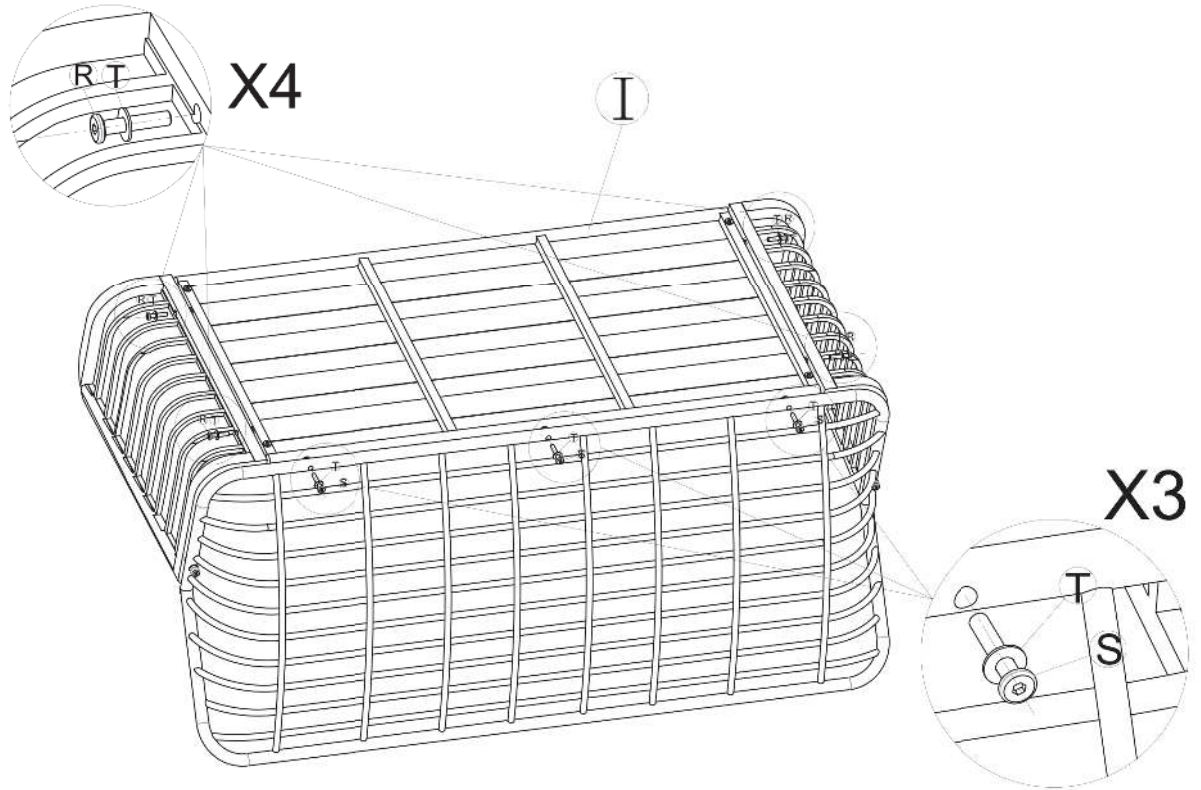
M6*30
RX4



M6*35
SX3



TX7



10



JX1



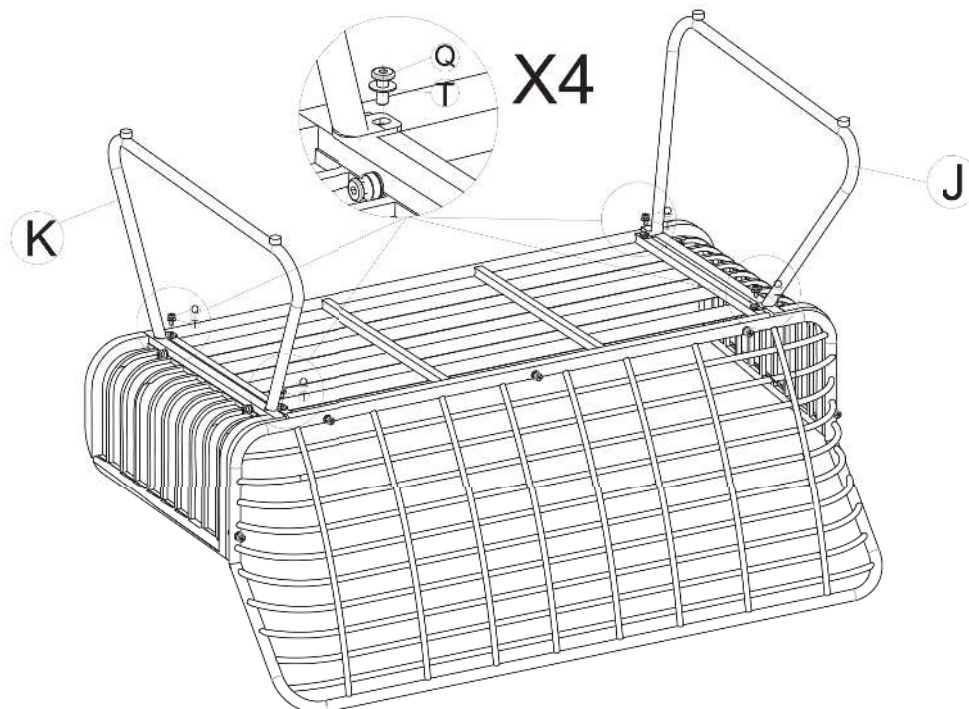
KX1



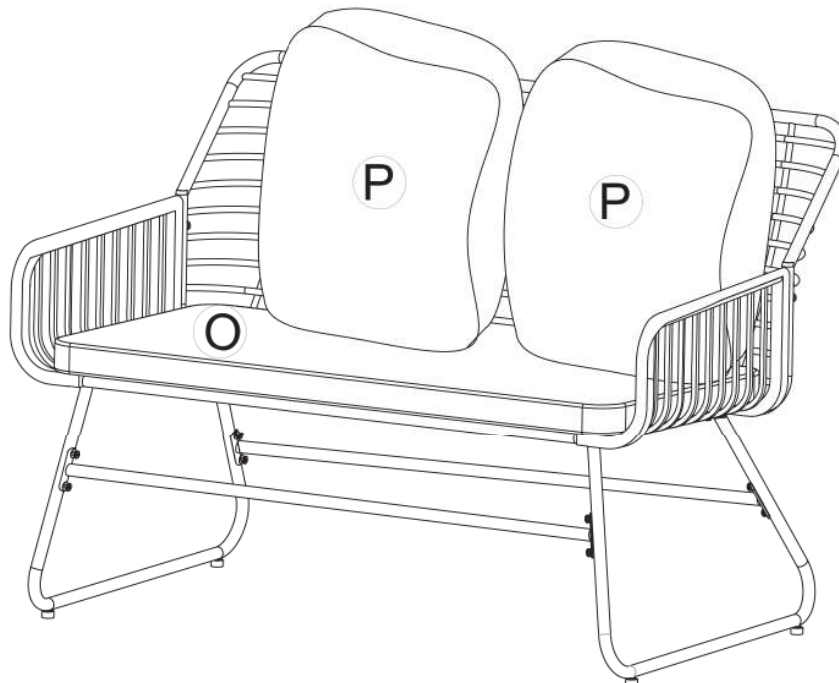
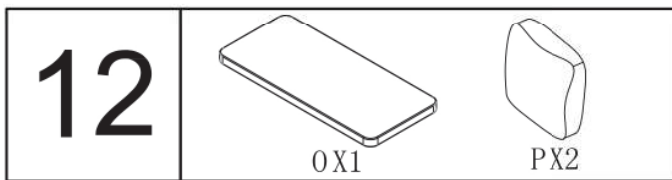
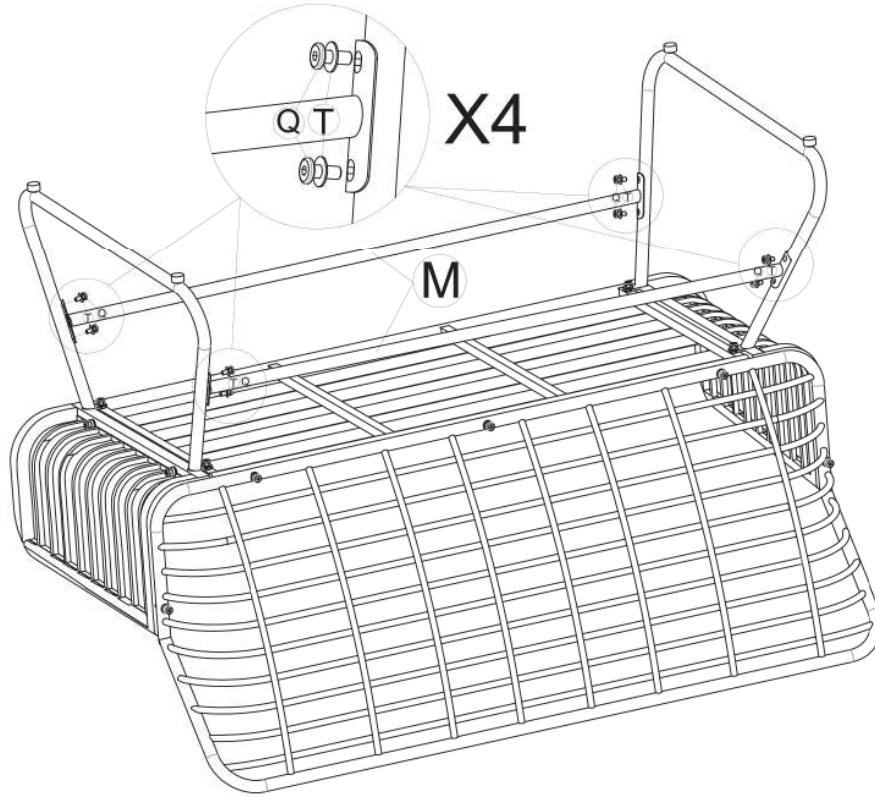
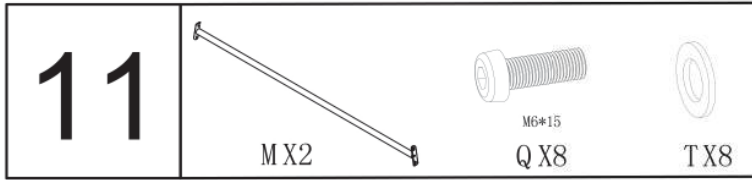
M6*15
QX4



TX4



INSTALLATION STEPS



INSTALLATION STEPS

13



X2



X1



X1

