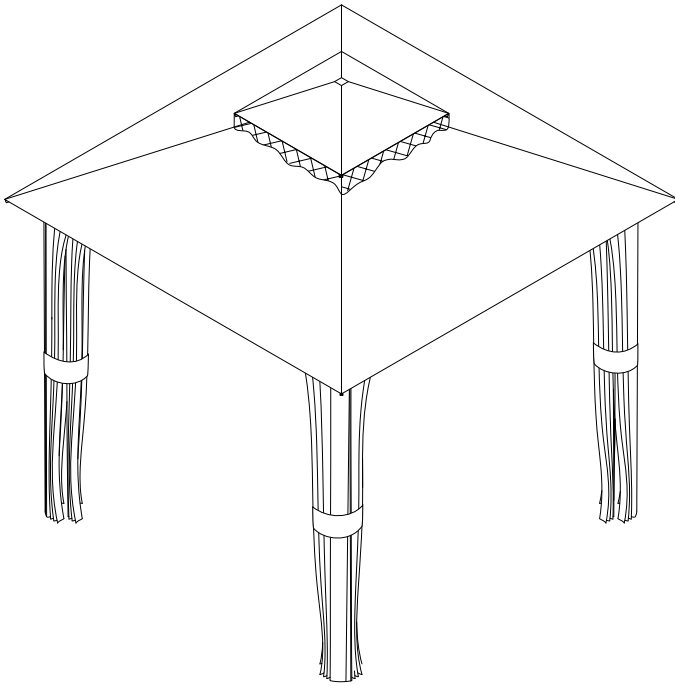
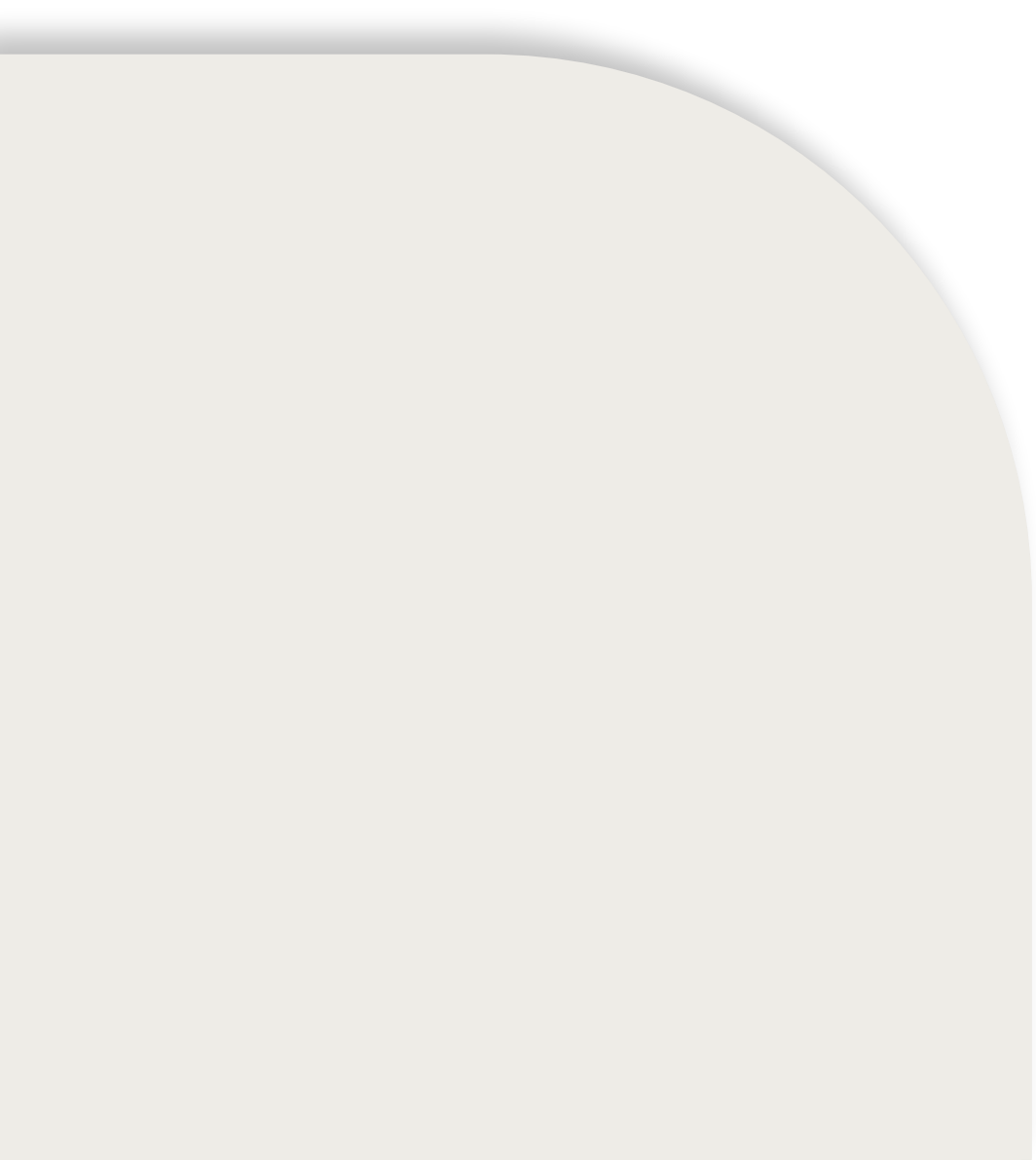


8'X8' SOFTTOP GAZEBO

Gentle Chic Collection



GFS007-N01-0



Attention

Thank you for choosing our product. We have meticulously crafted these user-friendly instructions to streamline your product setup process. For further assistance, please visit the "Contact Us" section on our official website at lausaint.com.

You are also welcome to reach out to our dedicated customer service team via email at customerservice@lausaint.com. Your satisfaction is our priority.

PREPARATION

Please read and understand this entire manual before attempting to assemble, operate or install the product.

PREPARATION

The product is packed in one box to ship.

Before assembly, make sure all parts are present. Compare parts with package contents list and hardware contents list.

If any part is missing or damaged, do not attempt to assemble the product.

Estimated Assembly Time: 40 minutes



WARNING!

- Tighten each bolt firmly and properly. Begin screwing all screws in place before tightening any of them.
- Some parts may contain sharp edges. Wear protective gloves as necessary.
- Children under the age of 16 should not be engaged in the assembly, removal or disassembly of the product.
- Children under the age of 10 should be supervised by a competent adult while using this product.
- Please keep children out of the assembly area during assembly.
- This product is heavy, and may require two adults for safe assembly.
- Never use this product as support. Do not shake, lean, or climb on the product at any time.



Attention

CARE AND MAINTENANCE

- Before using, clean the product completely with a soft, dry towel.
- When not in use, wipe away dirt or loose objects, wash with a mild solution of soap and water, rinse and dry completely.
- Do not use strong detergents or abrasive cleaners.
- Store the product in a cool, dry location away from sunlight.



CAUTION!

- Retain these instructions for future reference.
- Paint on this product might peel off if it is hit or used improperly.
- Use and carry this product with care and apply touch-up paint (not included) when necessary.
- This product is designed and made for personal non-commercial use.
- This product should not be used as a toy or a tool.
- Do not locate the product near any heat source.

WARRANTY

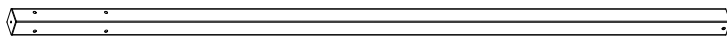
This warranty is offered to the original purchaser and covers defects in materials and workmanship of your patio furniture, provided that your furniture is properly maintained and exclusively used for personal residential purposes.

The frame is warranted to be free from defects in material or workmanship for one (1) year.

The fabric is insured for one (1) year against defects in material or workmanship.



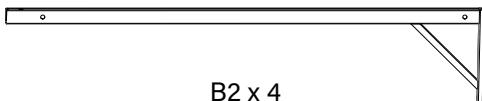
Component List



A x 4



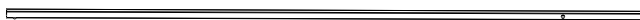
B1 x 4



B2 x 4



C x 4



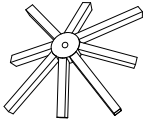
D x 4



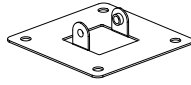
E x 8



Component List



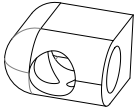
F x 1



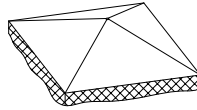
G x 4



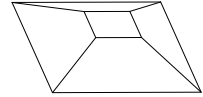
H x 8



J x 16



K x 1



L x 1



M x 4



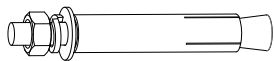
N x 4



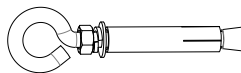
P x 4



Component List



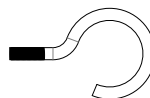
Q x 8



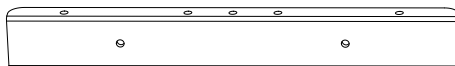
R x 4



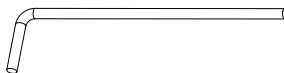
S x 4



T x 1



U x 4



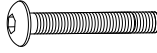
V x 8



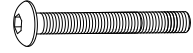
Component List



AA x (24 + 1)
(M6 X 15)



BB x (24 + 1)
(M6 X 30)



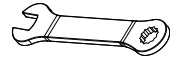
CC x (16 + 1)
(M6 X 35)



DD x (8 + 1)
(M6)



EE x 1


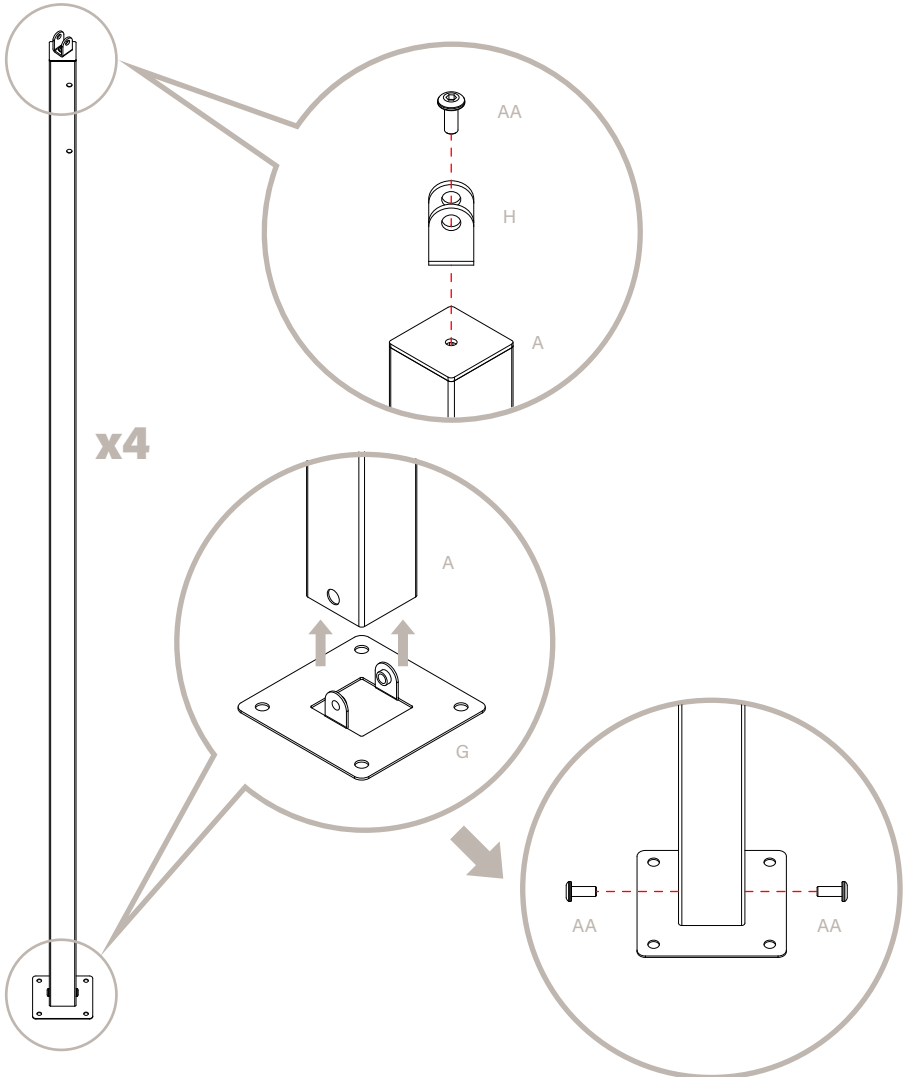


FF x 1

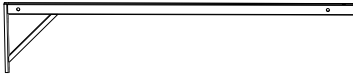
DO NOT FULLY TIGHTEN ALL SCREWS UNTIL ASSEMBLY IS COMPLETED.



Assembly of Base Frame

1.1 A (x4) G (x4) H (x4) M6 X 15 AA (x12)

1.2



B1 (x4)



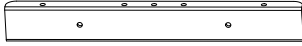
H (x4)



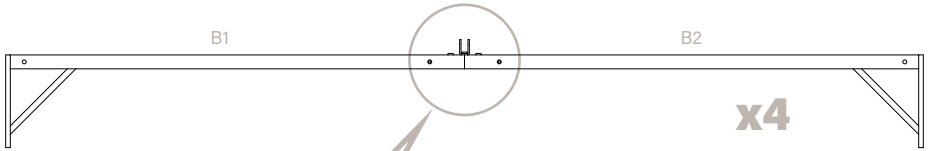
B2 (x4)



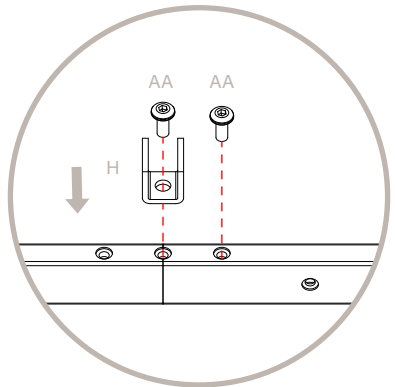
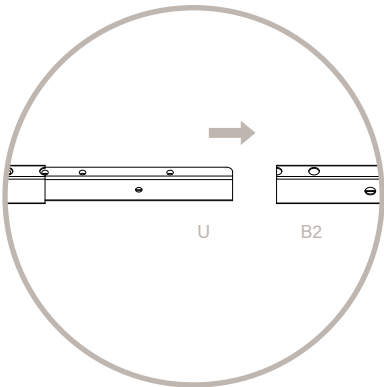
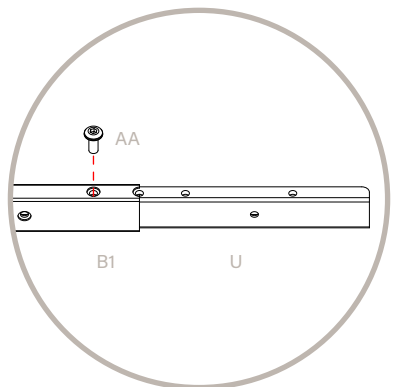
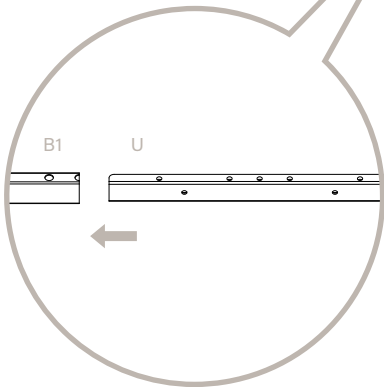
M6 X 15 AA (x12)



U (x4)



x4



1.3



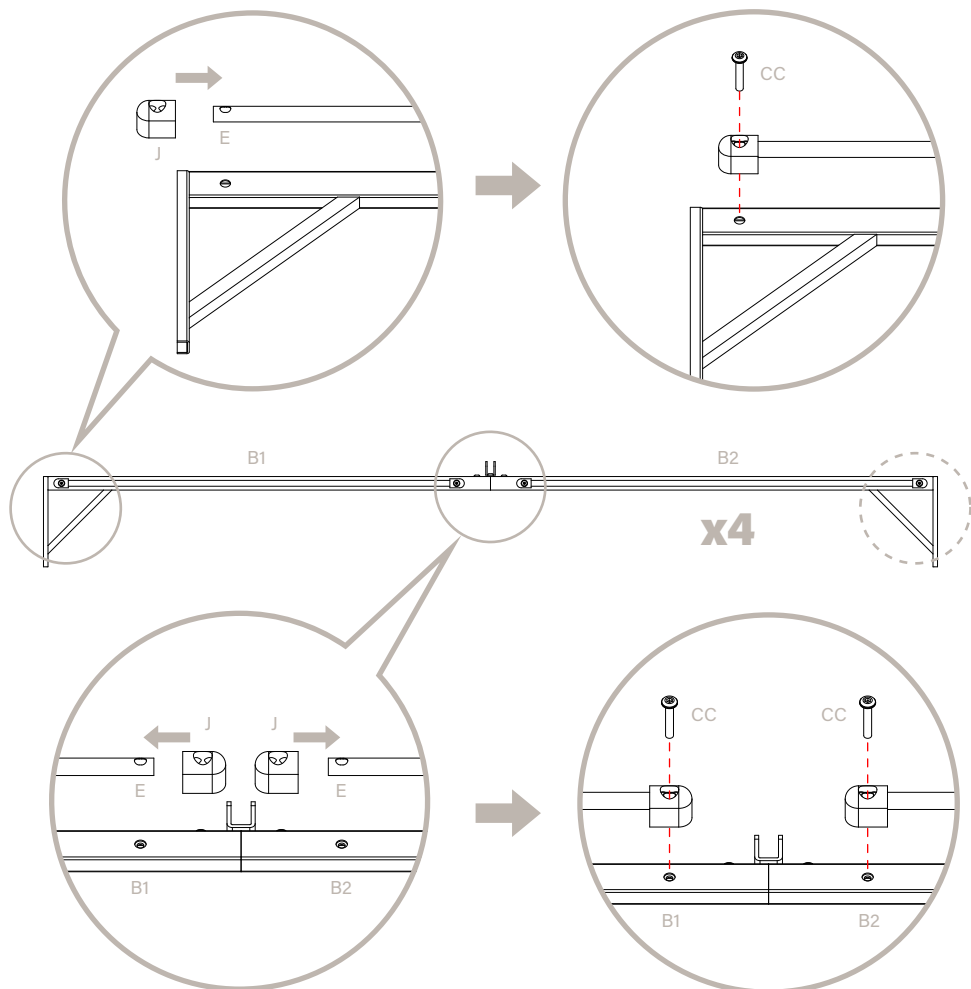
E (x8)



J (x16)



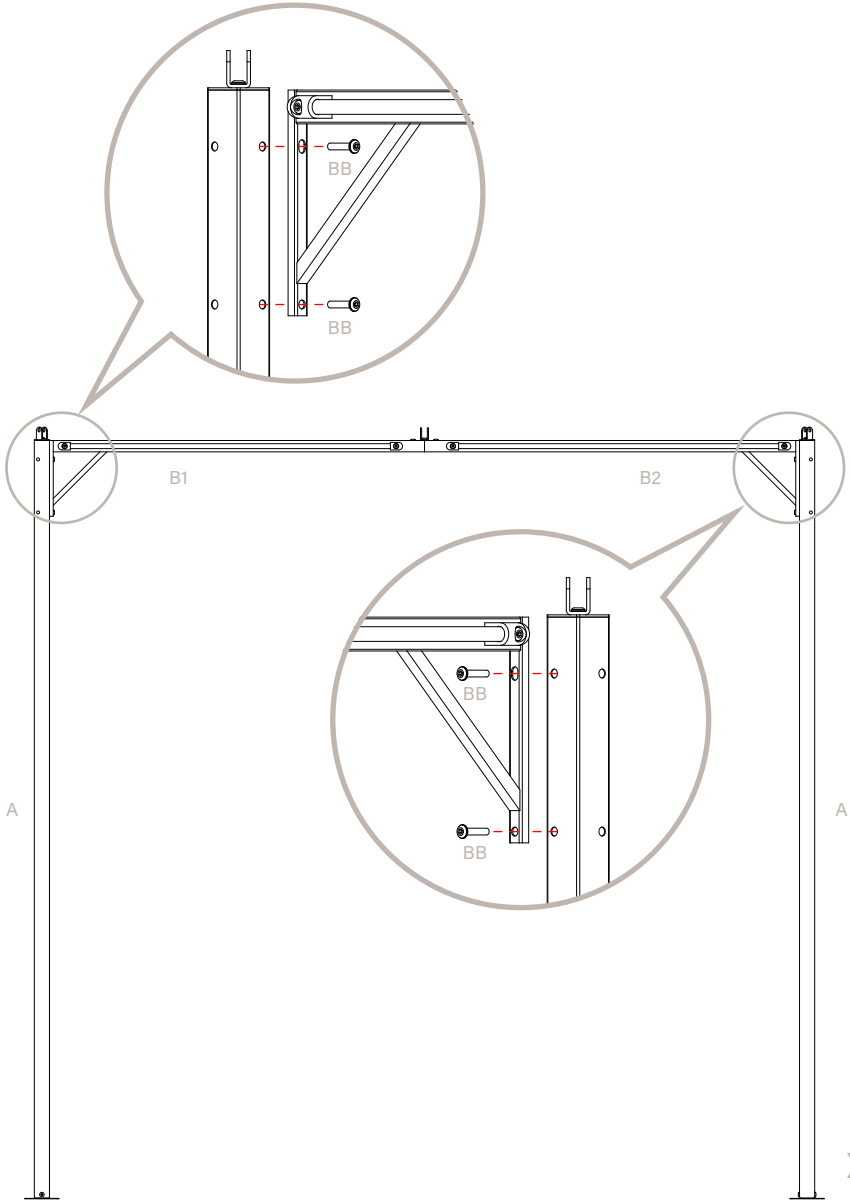
M6 X 35 CC (x16)



1.4



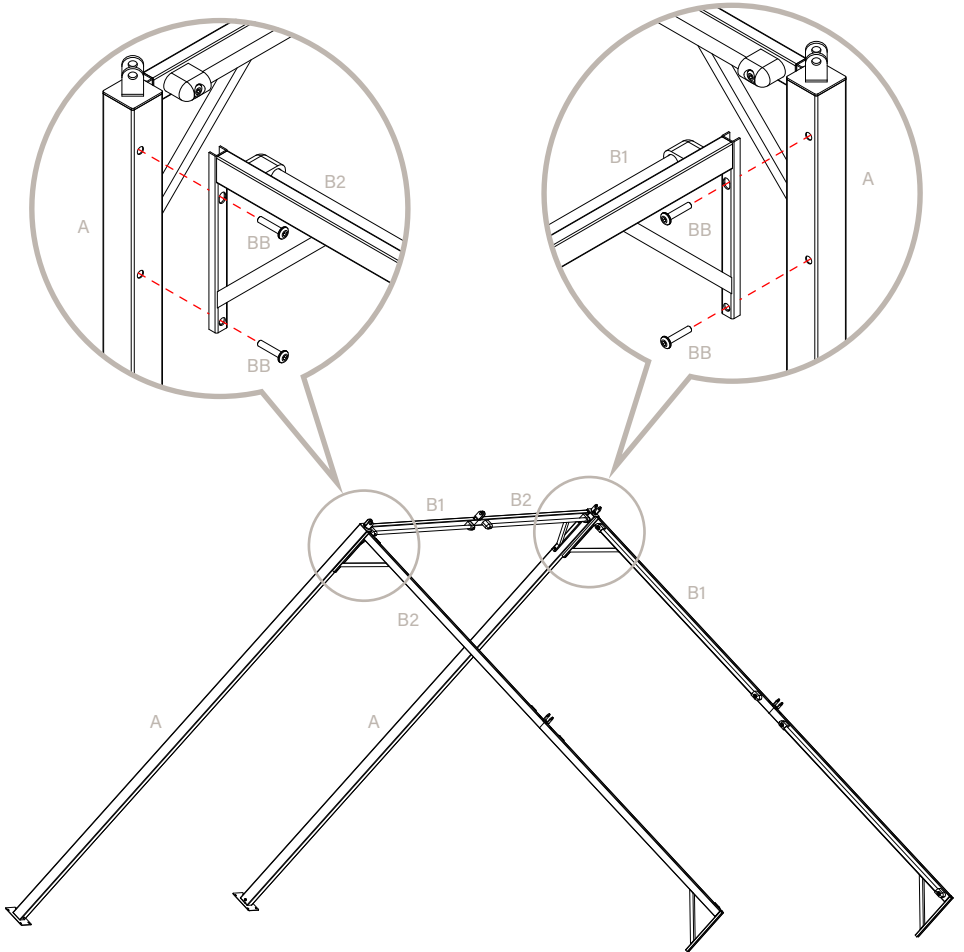
M6 X 30 BB (x8)



1.5

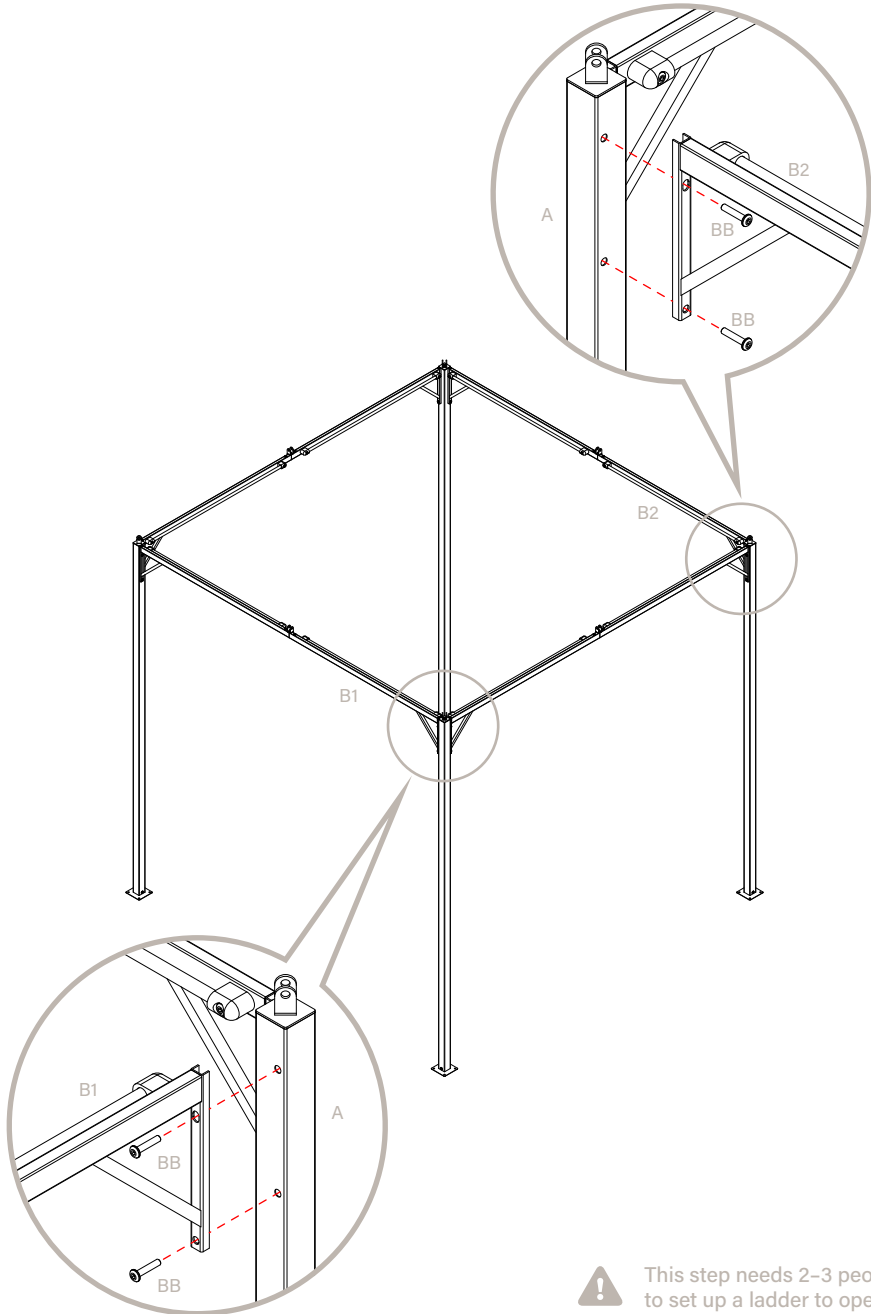


M6 X 30 BB (x4)





M6 X 30 BB (x4)



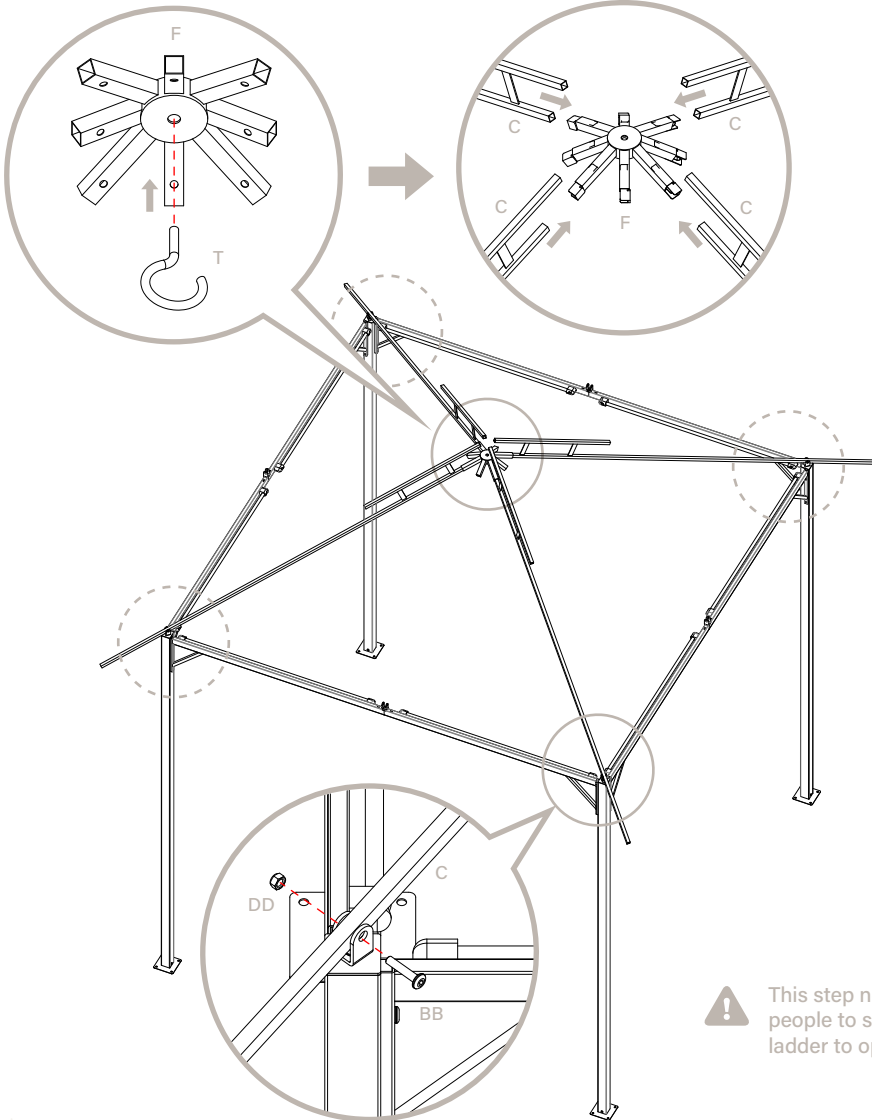
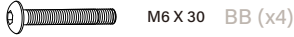
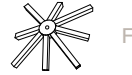
This step needs 2-3 people to set up a ladder to operate.



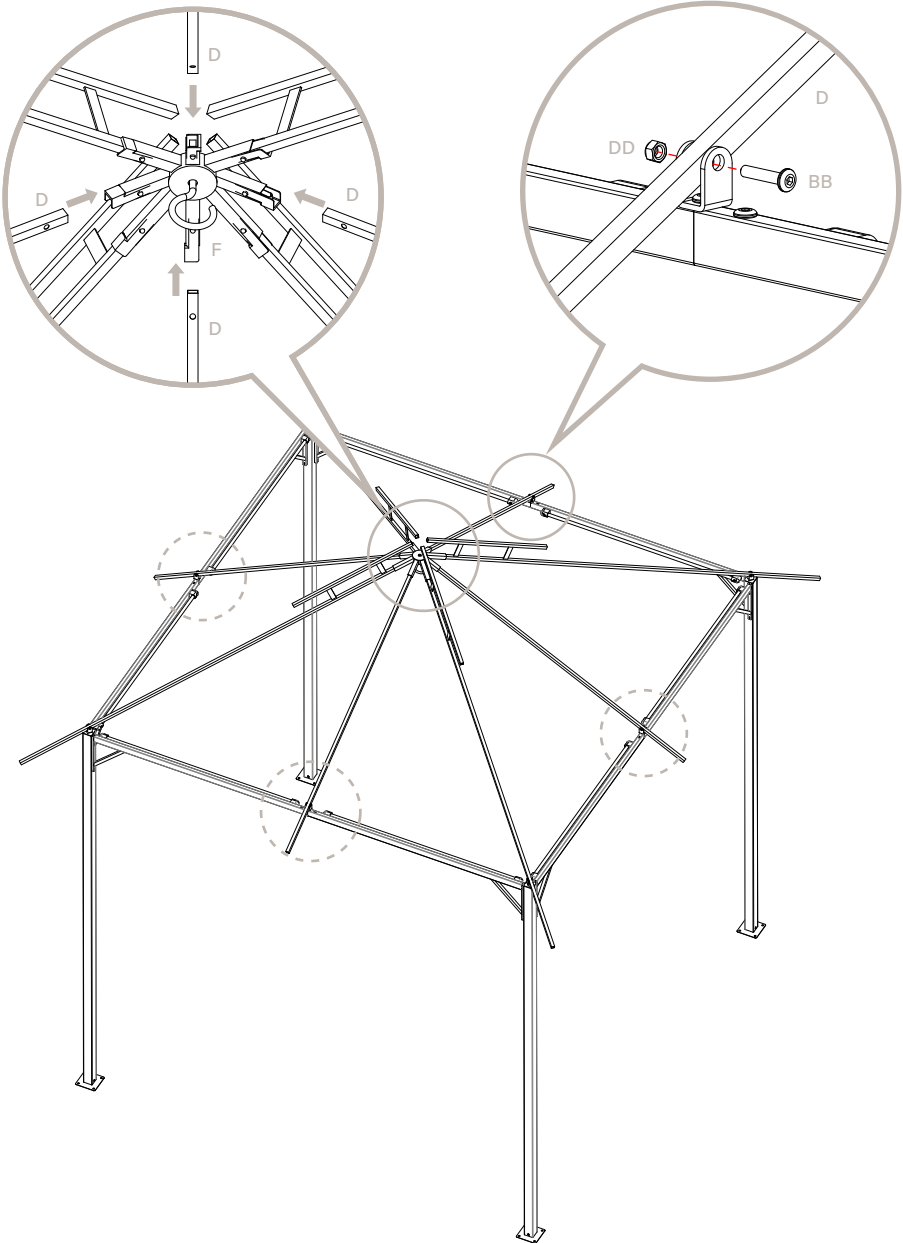
Assembly of Roof and Curtains



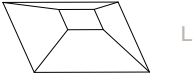
2.1



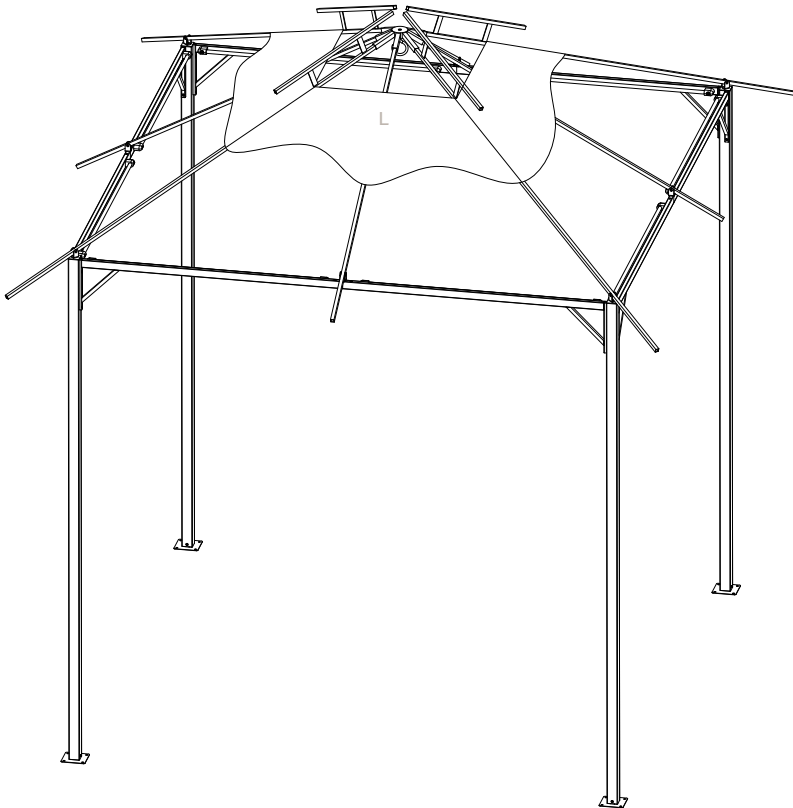
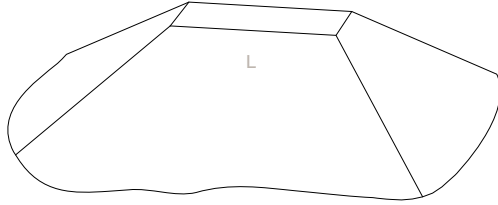
2.2

 D (x4) M6 X 30 BB (x4) M6 DD (x4)

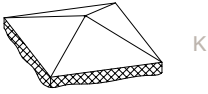
2.3



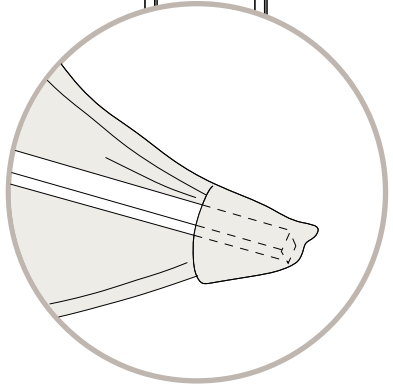
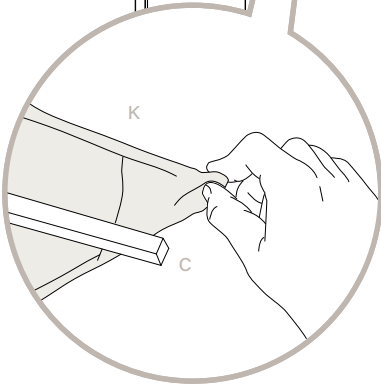
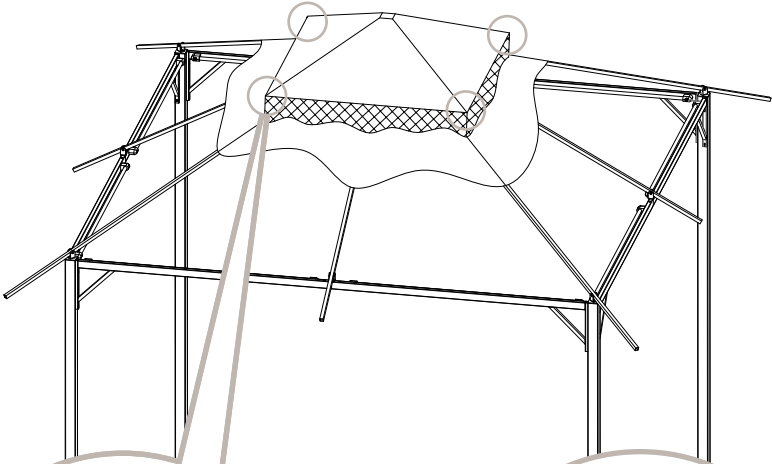
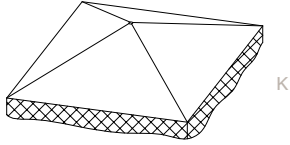
Loose set of top cover L on the top frame.



2.4



Set the small top cover K over the top frame.



2.5

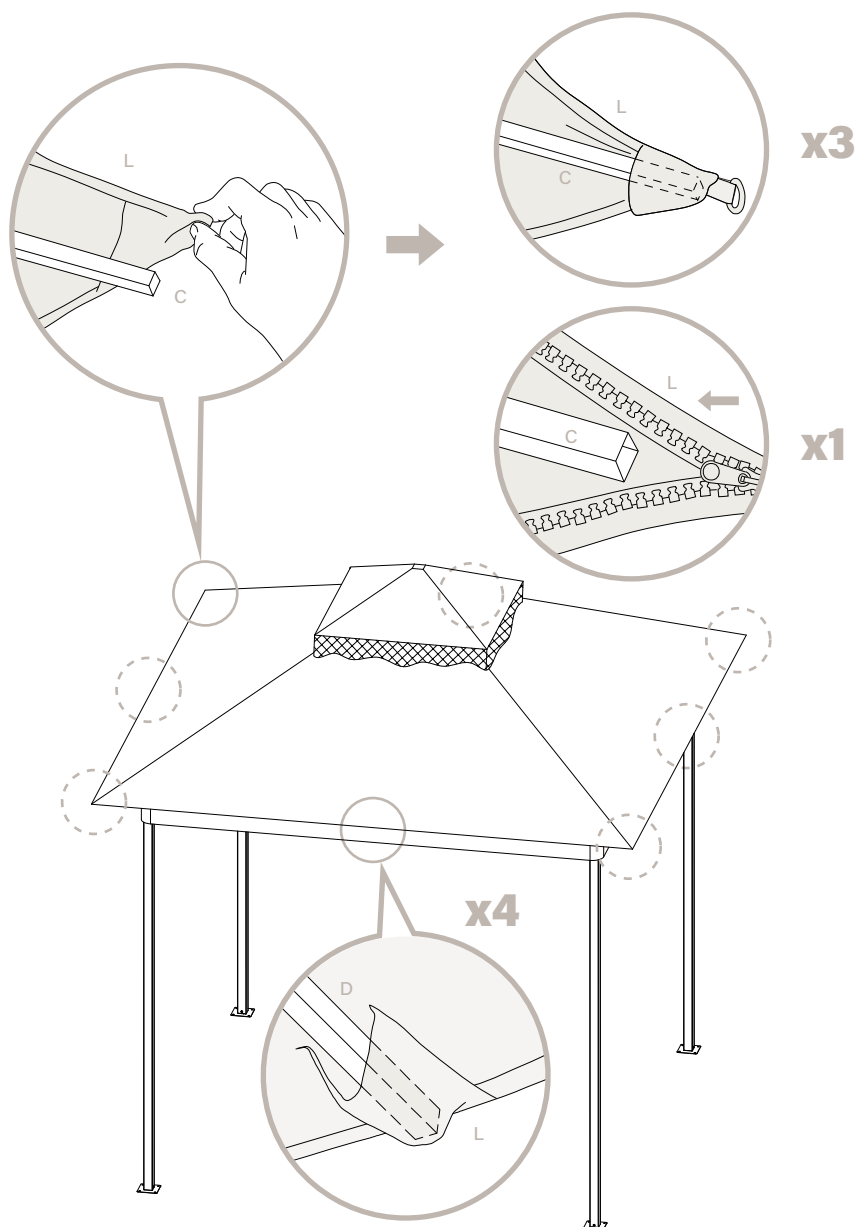
Set the top 4 corners fixed to the frame.

Assembly order:

1. The three C pockets without zippers.
2. The remaining C pocket with zippers.
3. The four D pockets.

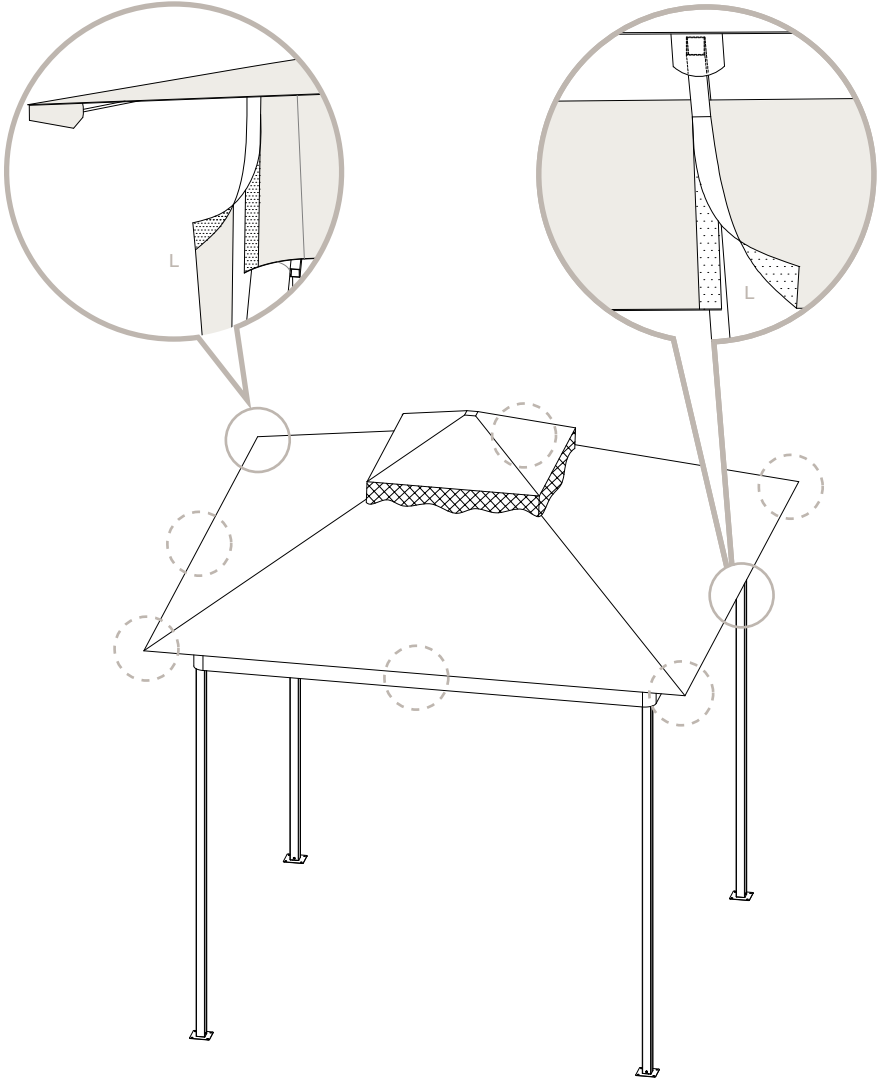
Note:

Following this order will make it easier to complete this part, and please do not glue the ruffles onto the pockets during this step.

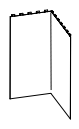


2.6

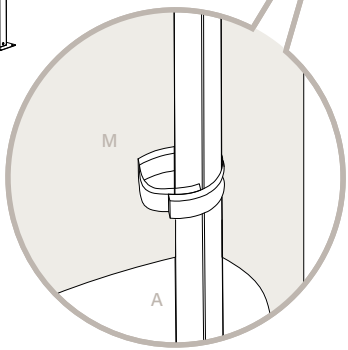
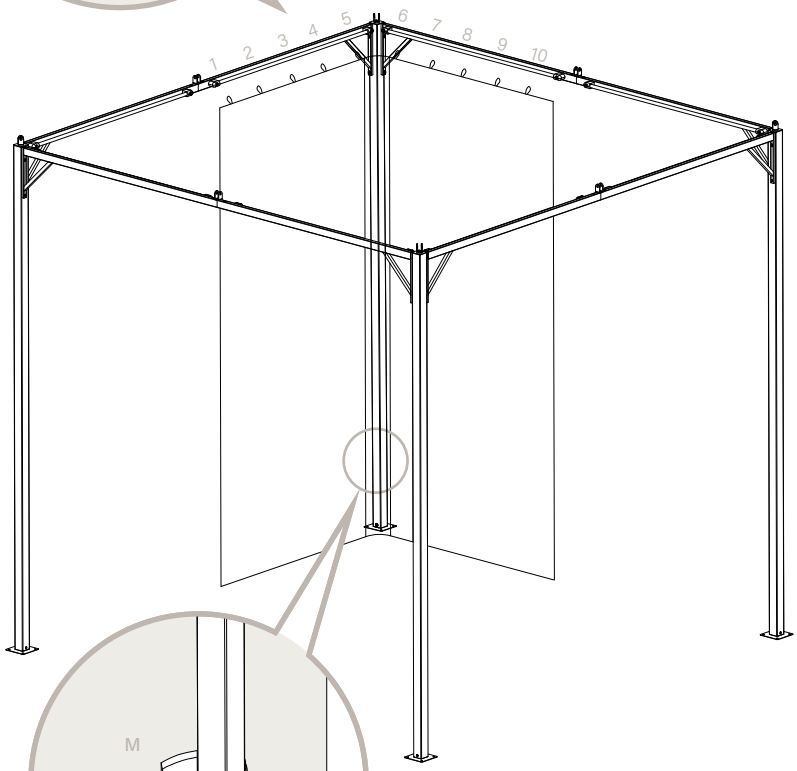
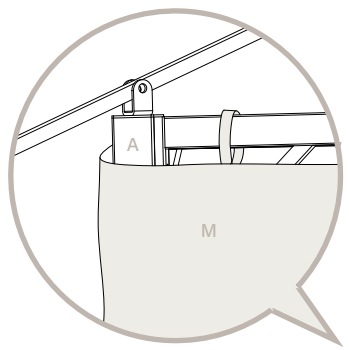
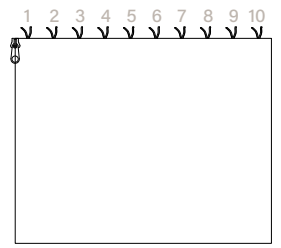
Set the top 4 sides fixed to the frame.



2.7



M (x4)



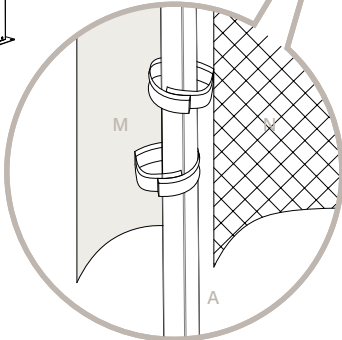
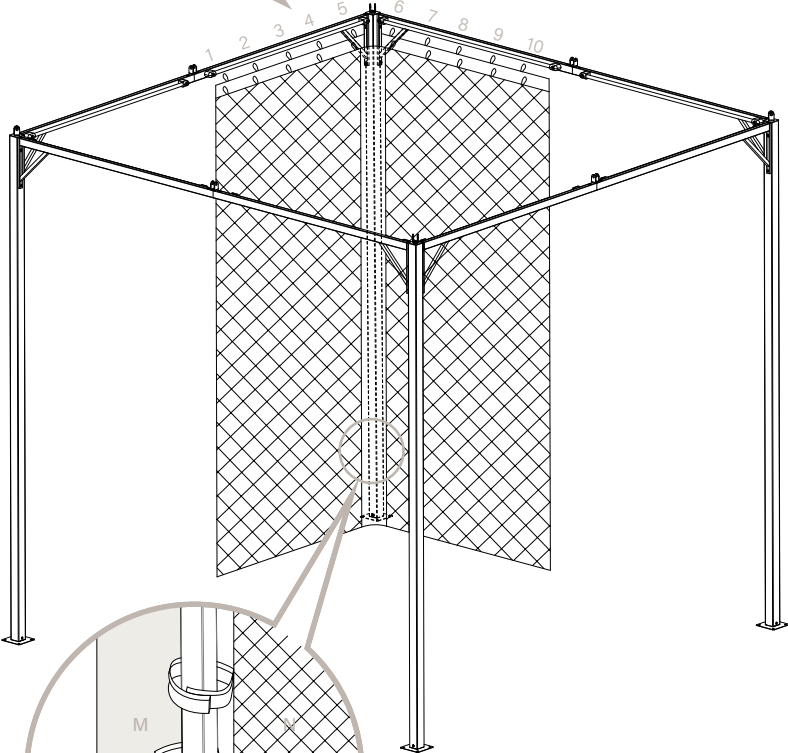
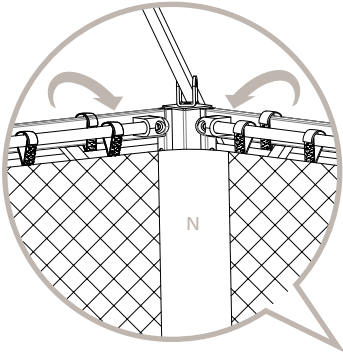
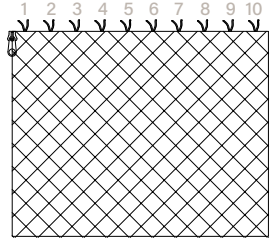
Secure the curtains on frame A by the lower straps.



2.8



N (x4)

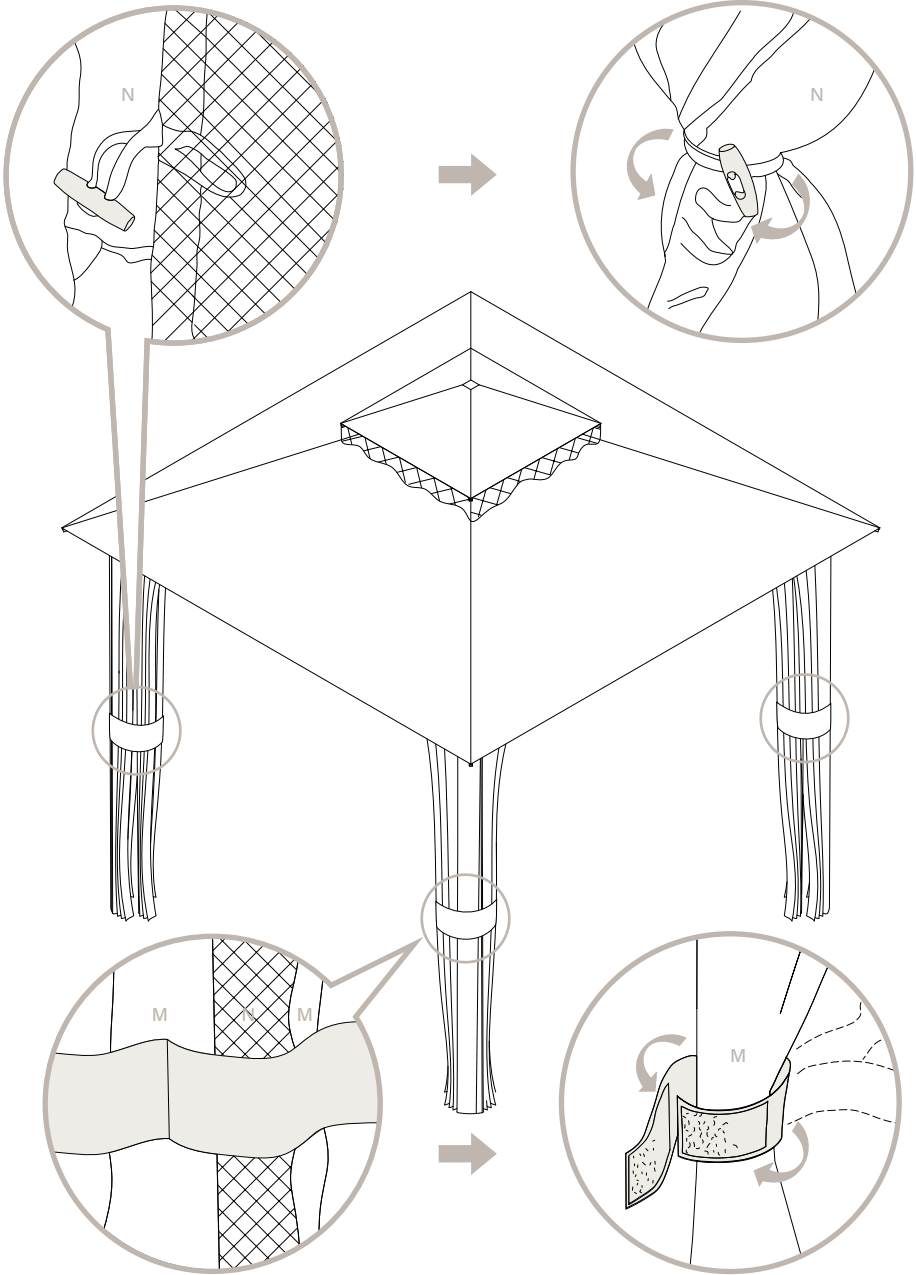


Secure the curtains on frame A by the lower straps.



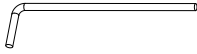
2.9

The netting N and the curtains M can be fixed to the frame A by the straps when the net/curtains are not using.



Strengthen Frame Stability

3.1



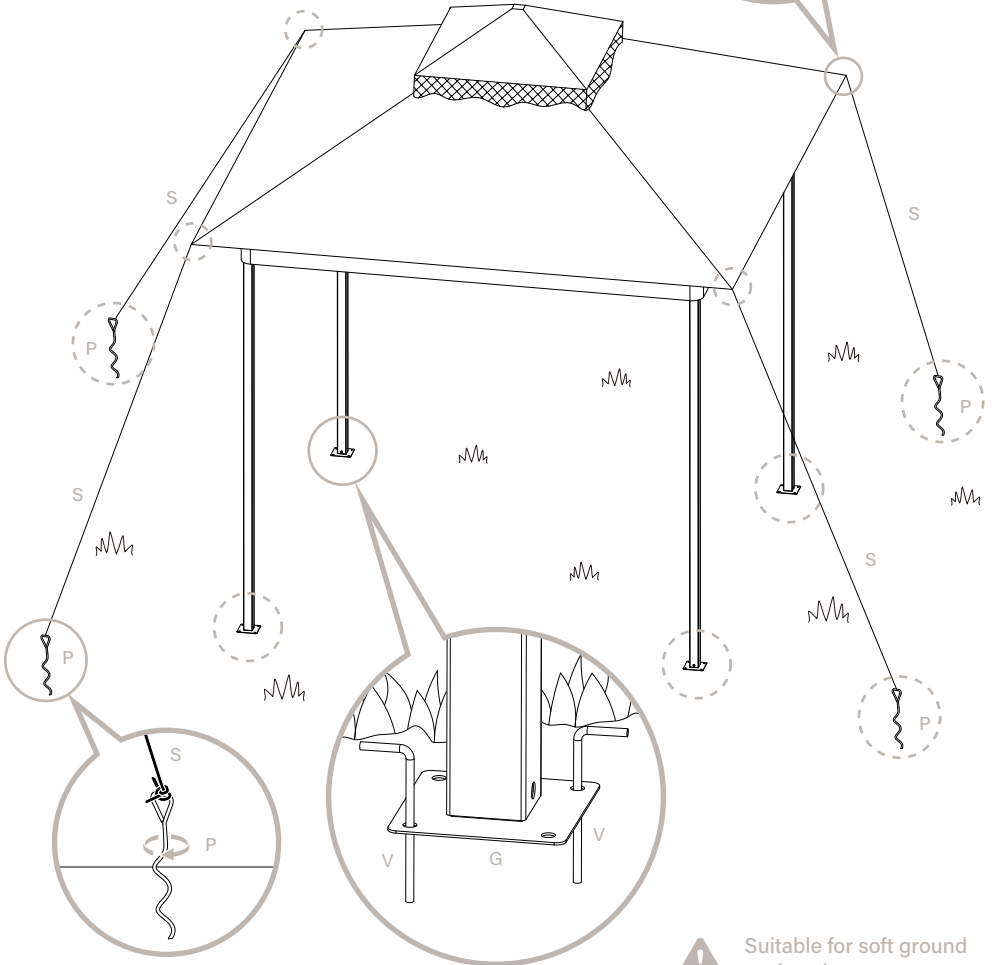
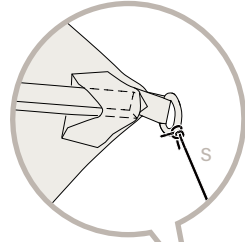
V (x8)



P (x4)



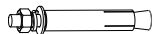
S (x4)



Suitable for soft ground such as lawn.

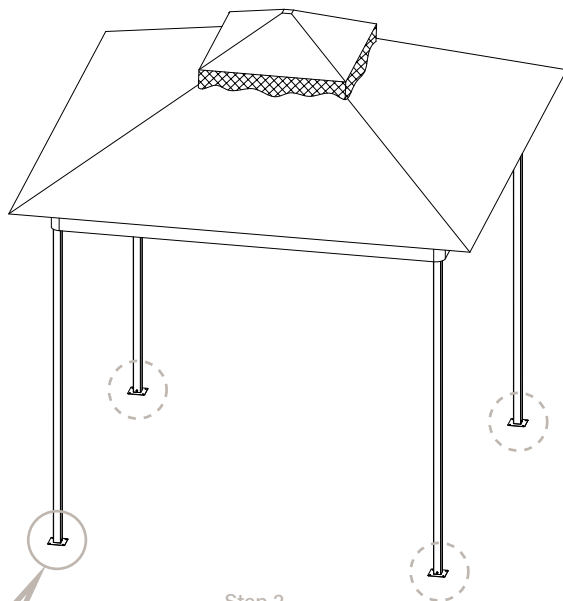


3.2



Q (x8)

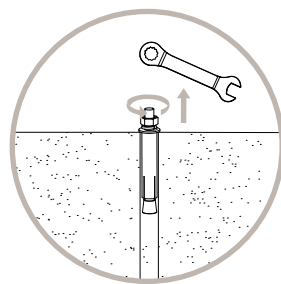
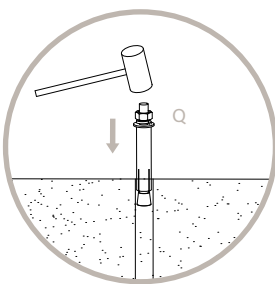
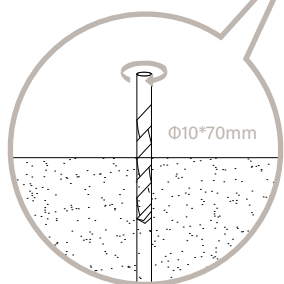
! Suitable for hard floors.



Step 1

Step 2

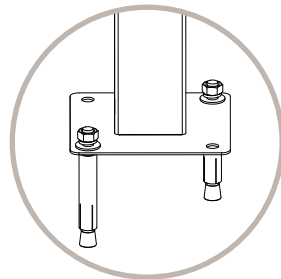
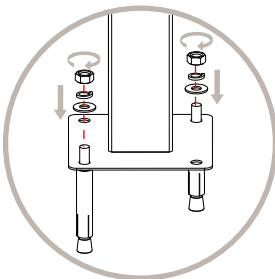
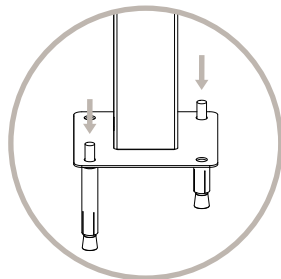
Step 3



Step 4

Step 5

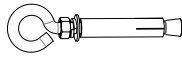
Step 6



3.3



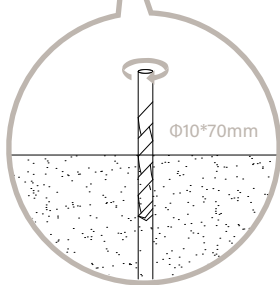
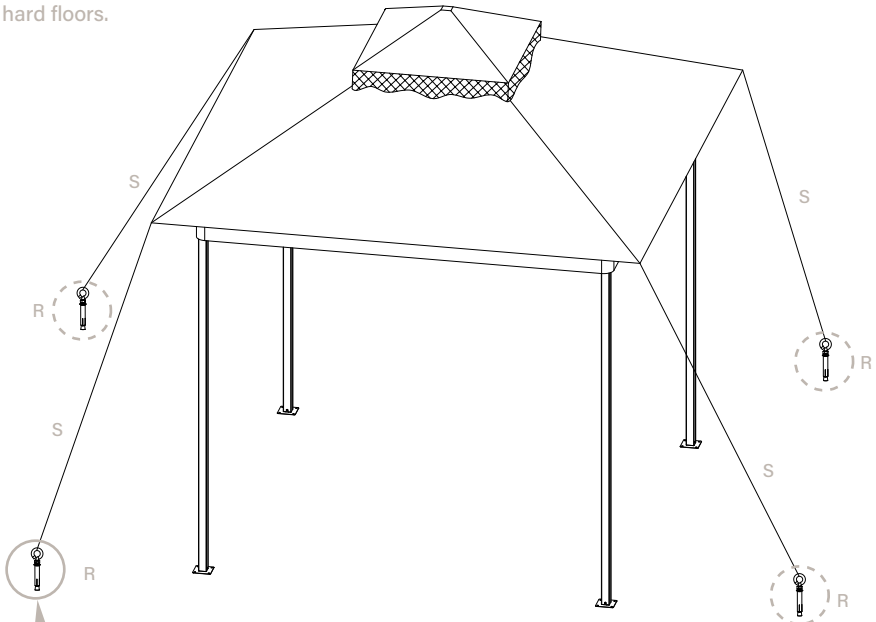
S (x4)



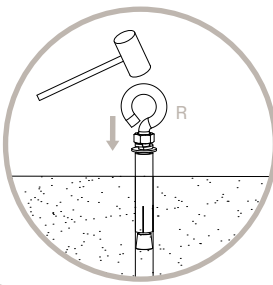
R (x4)



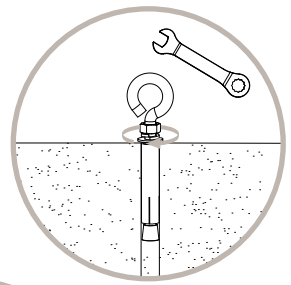
Suitable for
hard floors.



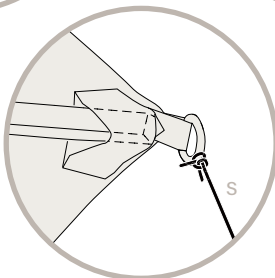
Step 1



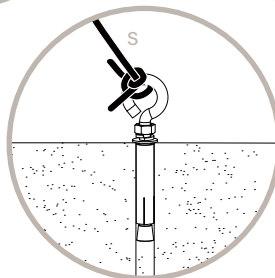
Step 2



Step 3



Step 4



Step 5



LAUSAIN
HOME
a chic gathering



CUSTOMER SERVICE LETTER



LAUSAINT HOME CARES ABOUT EVERY CUSTOMER'S SHOPPING EXPERIENCE.



BEFORE RETURNING THE ITEM TO OUR WAREHOUSE

please contact us via email at customerservice@lausaint.com and provide the following details:

1. Purchase platform and order ID.
2. Product name or SKU.
3. Traceability code on the installation manual (such as: YQxxYxxW).
4. Close-up pictures clearly exhibiting product details (such as damaged packaging, faulty parts, damaged components, or missing parts). Please CIRCLE them on the installation manual.

Note: We will reply to you within 24 working hours after receiving your email.



Shipping Questions:

1. If you order an item with multiple packages, the packages will be delivered separately. The total number of boxes is indicated on the packaging.
2. Before contacting us regarding missing parts, please check and ensure that you have received all the boxes. In general, all boxes will arrive within 3 business days.
3. Please feel free to contact us if there is any delay.