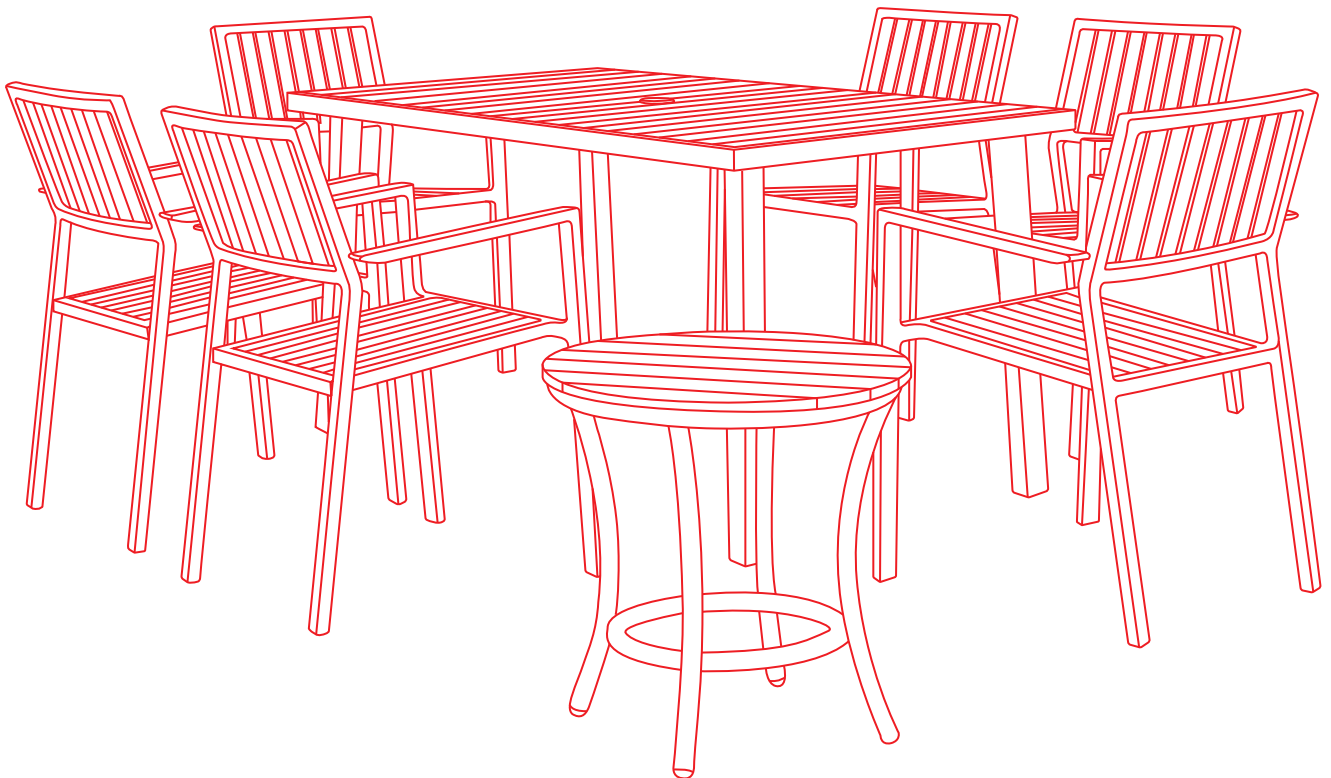


Thank you very much  
for purchasing our *Patio Dining Sets*.

## OWNER'S MANUAL

# Patio Dining Sets



## Safety precautions

### ⚠ WARNING

- Please read and understand this entire manual before attempting to assemble or install the product.
- Some parts may contain sharp edges. Please wear protective gloves when assemble or install the product.
- Assemble the item on a soft, non-abrasive surface such as carpeting to avoid damage.
- Keep all children and pets away from assembly area. Children and pets should be supervised when they are in the area of the sofa set construction.
- Item is heavy. Please handle with care. Two or more people are required for this assembly.

### CAUTION

- Chair is for seating purpose only. Do not stand on or use any part of this item as a step ladder.
- Recommended maximum sitting weight for the chair set is 220lbs/100kgs. Please do not exceed the weight limitations of this item.
- Firmly secure all bolts, screws and knobs before use.
- Reconfirm that all bolts, screws, and knobs are secure every 90 days.
- Do not use or store this item in the proximity of open flame or flammable/combustible chemicals.
- If any parts are missing, broken, damaged, or worn, stop using this product until repairs are made and/or factory replacement parts are installed.

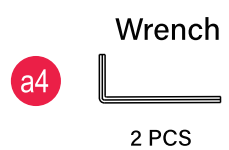
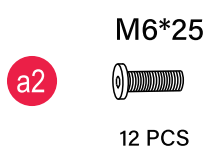
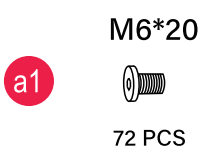
### ATTENTION

- Before assembling of product, compare every part with parts list. If any part is missing or damaged, do not attempt to assemble the product and contact us immediately.
- We care about every customer's using experience, please feel free to chat us if have some advice, efficient solution would be offered soon.
- Recommend to use waterproof furniture cover for entire patio dining set when out of use to keep them longer performance.

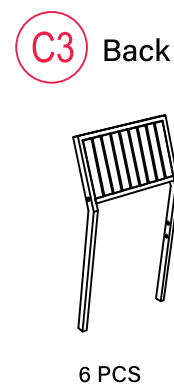
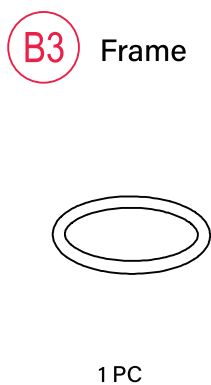
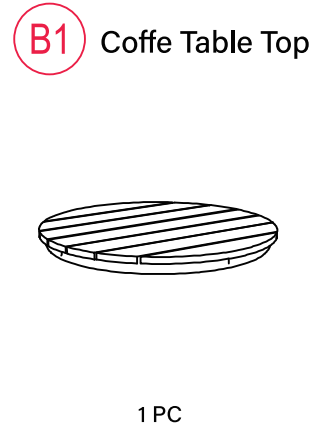
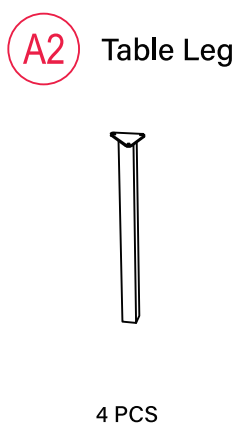
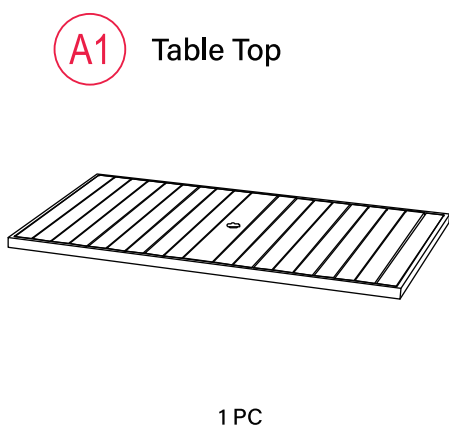
## Warranty Coverage Requirements:

- Pictures of the damaged parts.
- The name or MOLDE number of your product.
- Please gather all of this information BEFORE you contact us.
- Do not use this item in a way inconsistent with the manufacturer's instructions as this could void the product warranty.

## HARDWARE



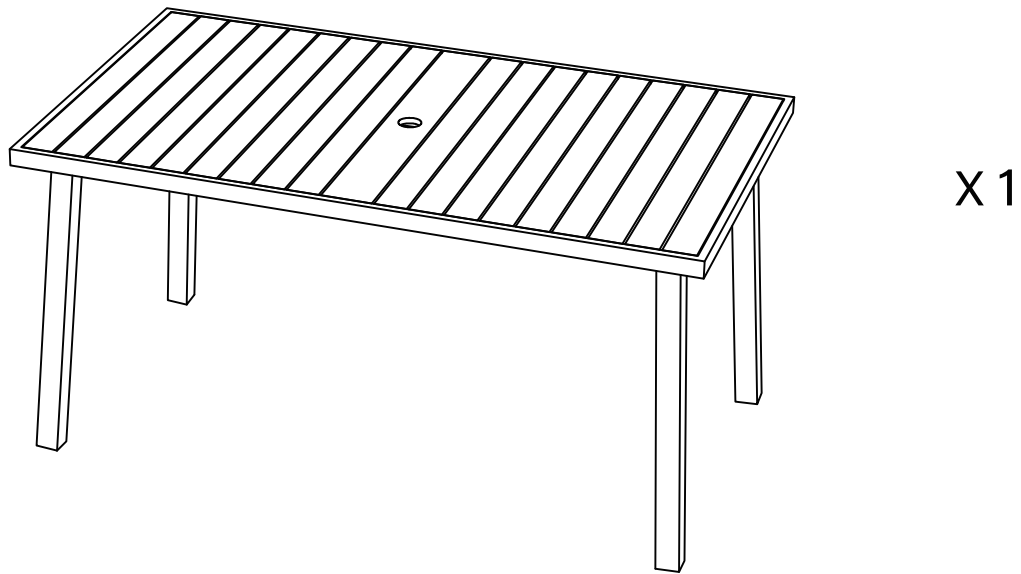
## PARTS



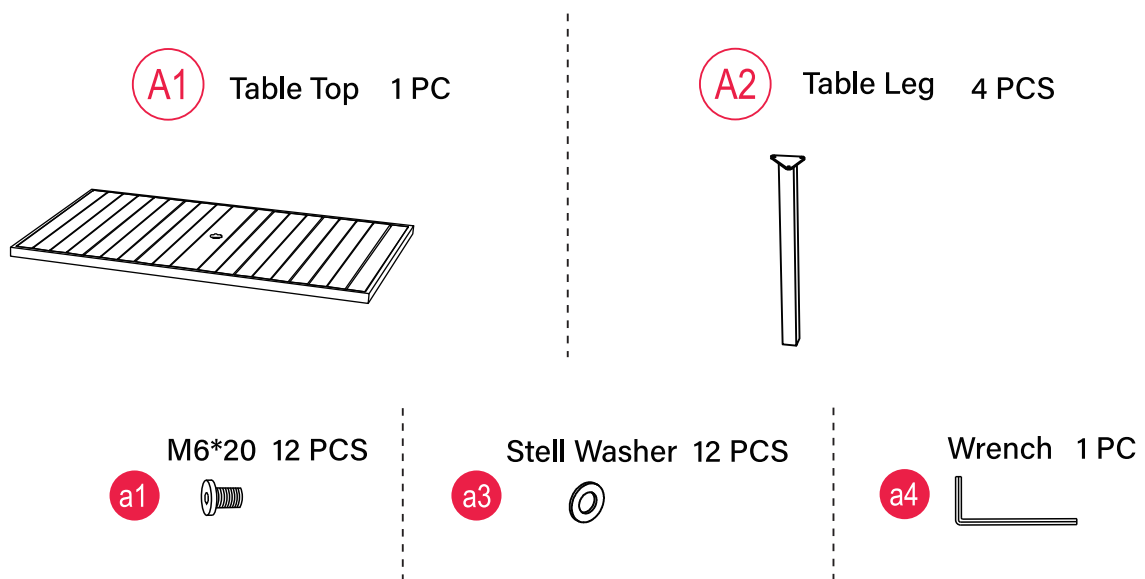
## Instructions **Patio dining table**

- The patio dining set is delivered with two boxes. There are one table and one coffee table in one box, and six chairs in another box.
- The accessories list and installation instructions of table and coffee table are as follows.

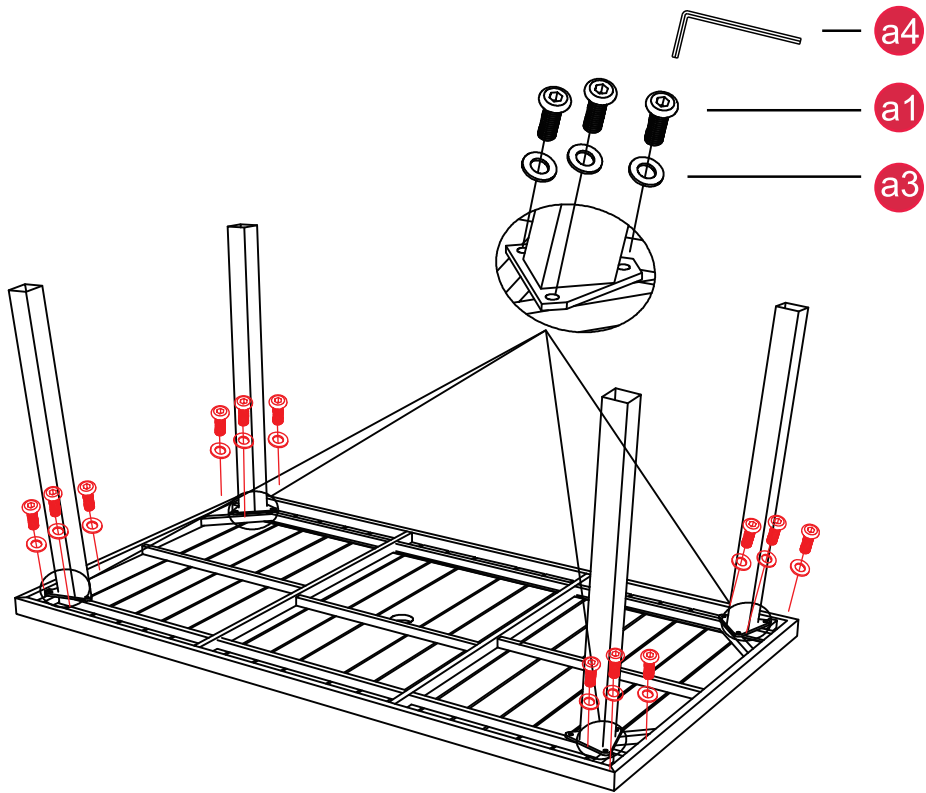
### Number



### Parts



### ■ Step1

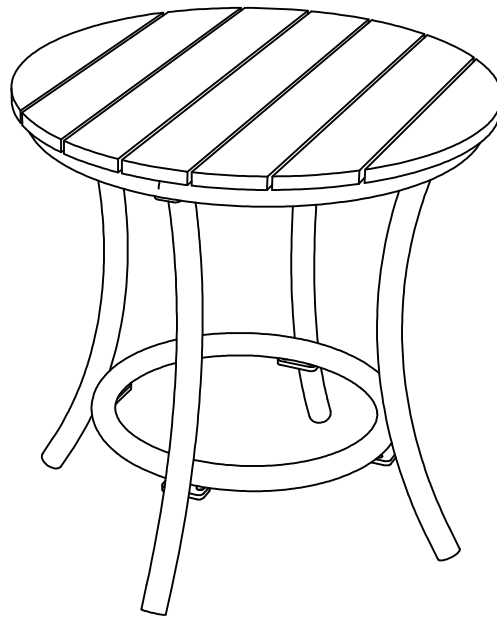


**NOTICE:** Please assemble the item on a soft, non-abrasive surface such as carpeting to avoid damage.

# Instructions

## Patio coffee table

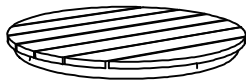
### Number



coffee tableX 1

### Parts

**B1** 1PC



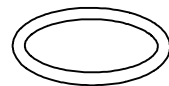
Coffe Table Top

**B2** 4PCS



Coffe Table Leg

**B3** 1PC



Frame

M6\*20 12 PCS



Stell Washer 12 PCS



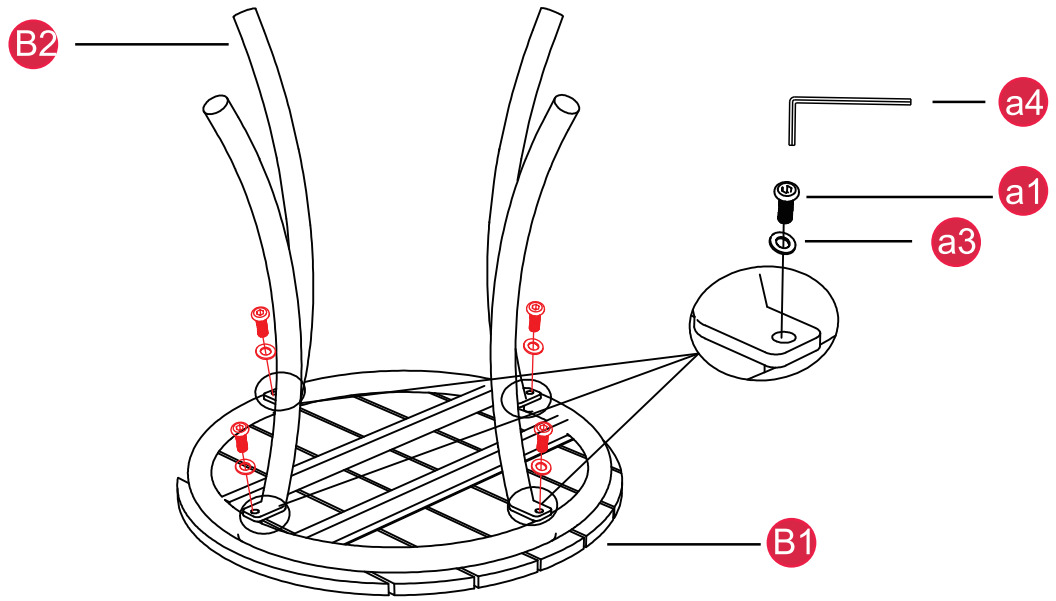
Wrench 1 PC



# Instructions

## Patio coffee table

### Step 1



NOTICE: Please assemble the item on a soft, non-abrasive surface such as carpeting to avoid damage.

### Step 2

