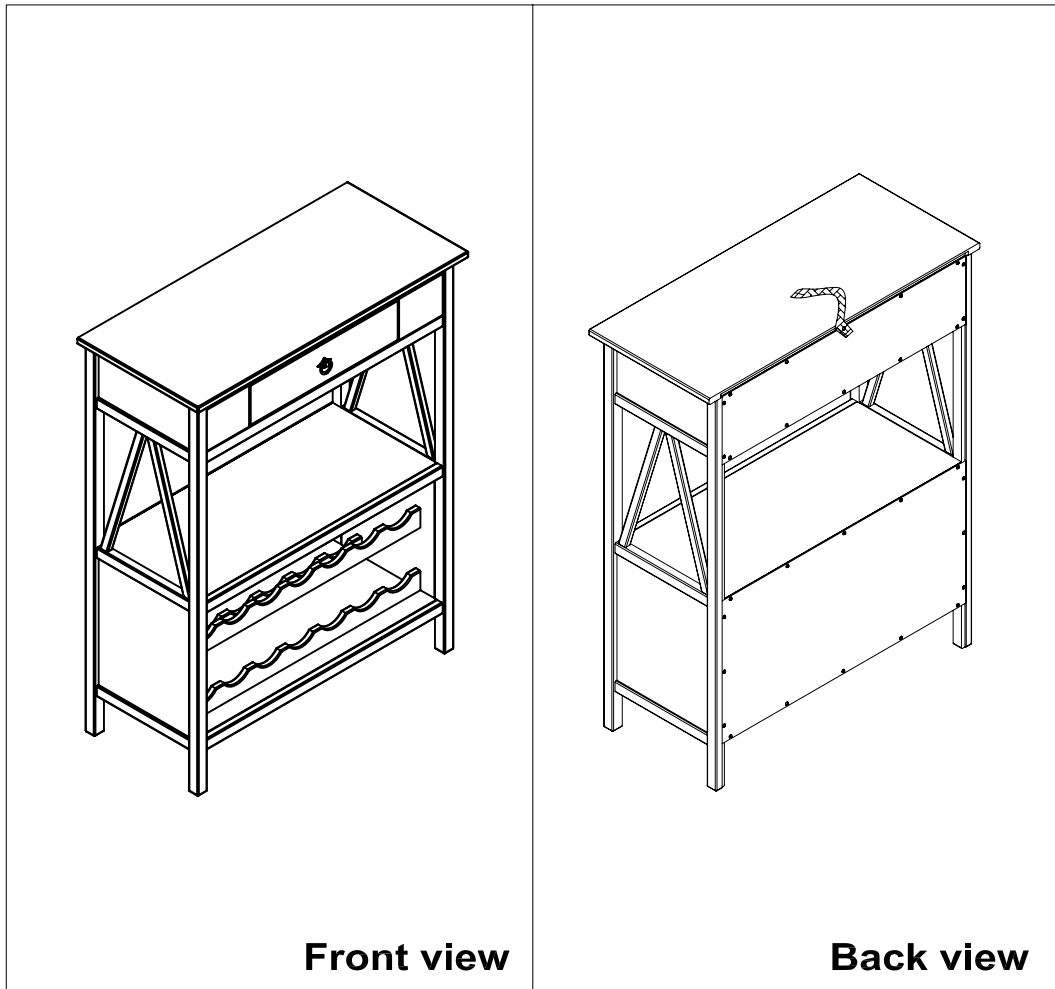


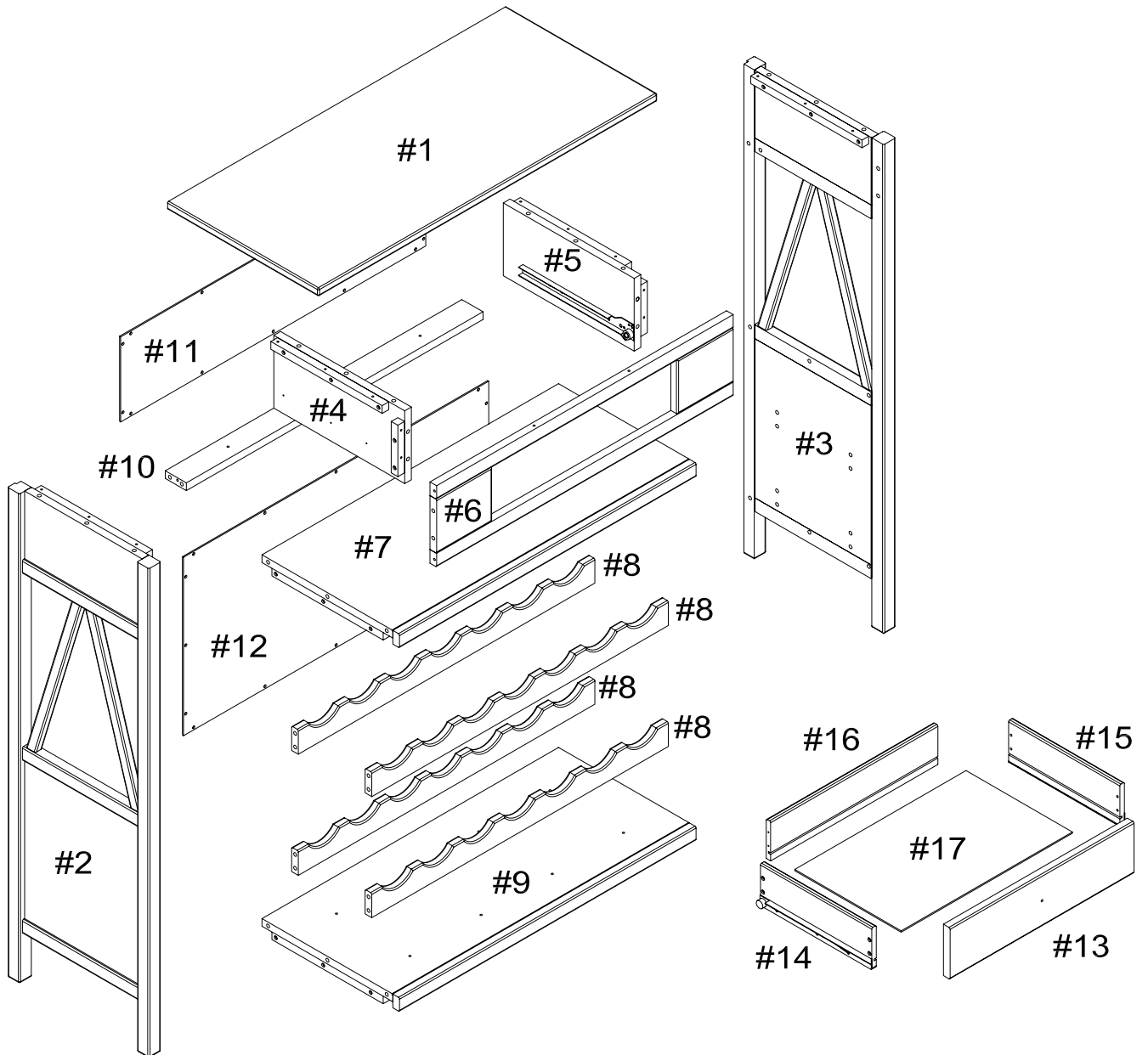
ASSEMBLY INSTRUCTIONS

WINE CABINET



We are here to help!

PARTS IDENTIFICATION



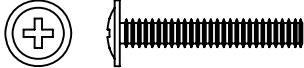

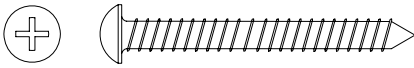
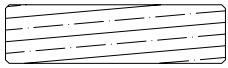
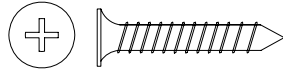
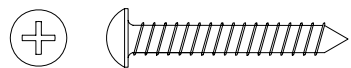
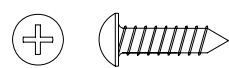
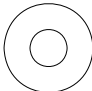
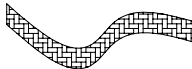
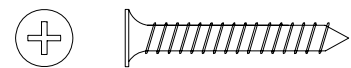


For ease of identification all parts are labeled to correspond to the Step number in which the part is used.

PARTS IDENTIFICATION

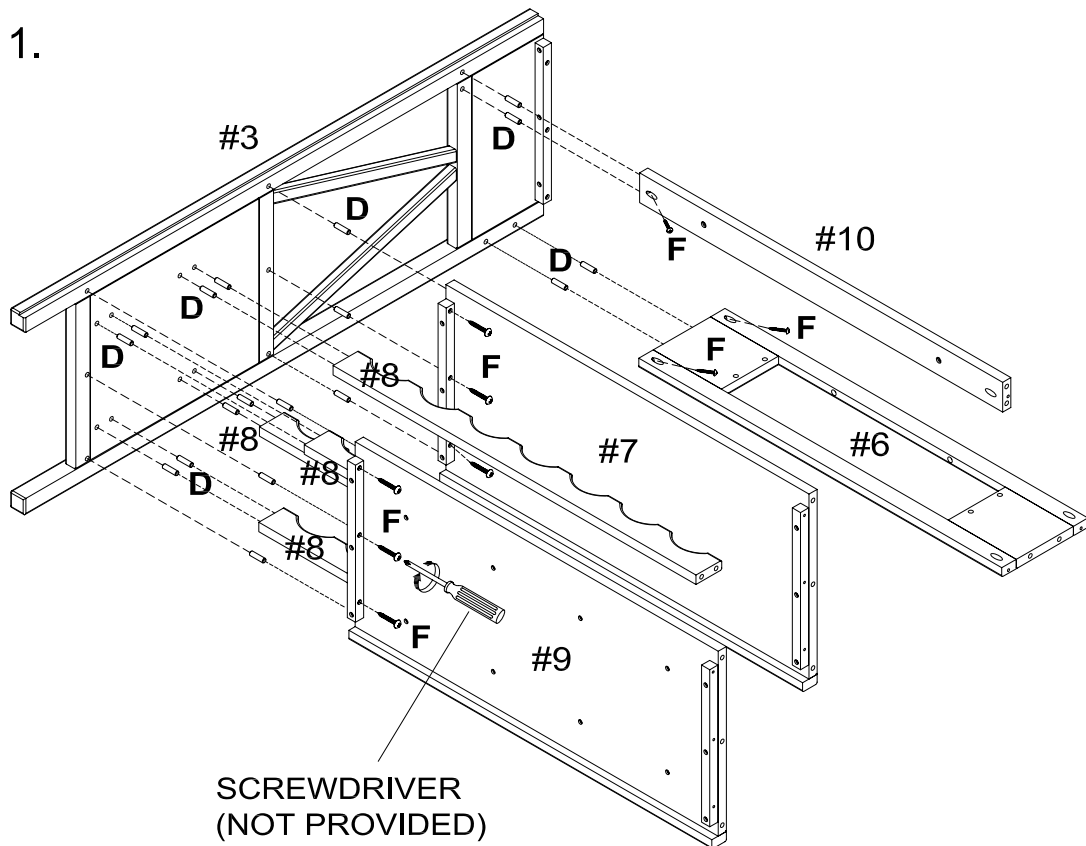
ITEM	DESCRIPTION	QTY
#1	TOP SHELF	01
#2	LEFT SIDE	01
#3	RIGHT SIDE	01
#4	LEFT VERTICAL BOARD	01
#5	RIGHT VERTICAL BOARD	01
#6	FRONT FRAME	01
#7	MIDDLE SHELF	01
#8	RAIL	04
#9	BOTTOM SHELF	01
#10	BACK RAIL	01
#11	SMALL BACK PANEL	01
#12	LARGE BACK PANEL	01
#13	DRAWER FRONT	01
#14	LEFT DRAWER SIDE	01
#15	RIGHT DRAWER SIDE	01
#16	DRAWER BACK	01
#17	DRAWER BOTTOM	01

HARDWARE IDENTIFICATION

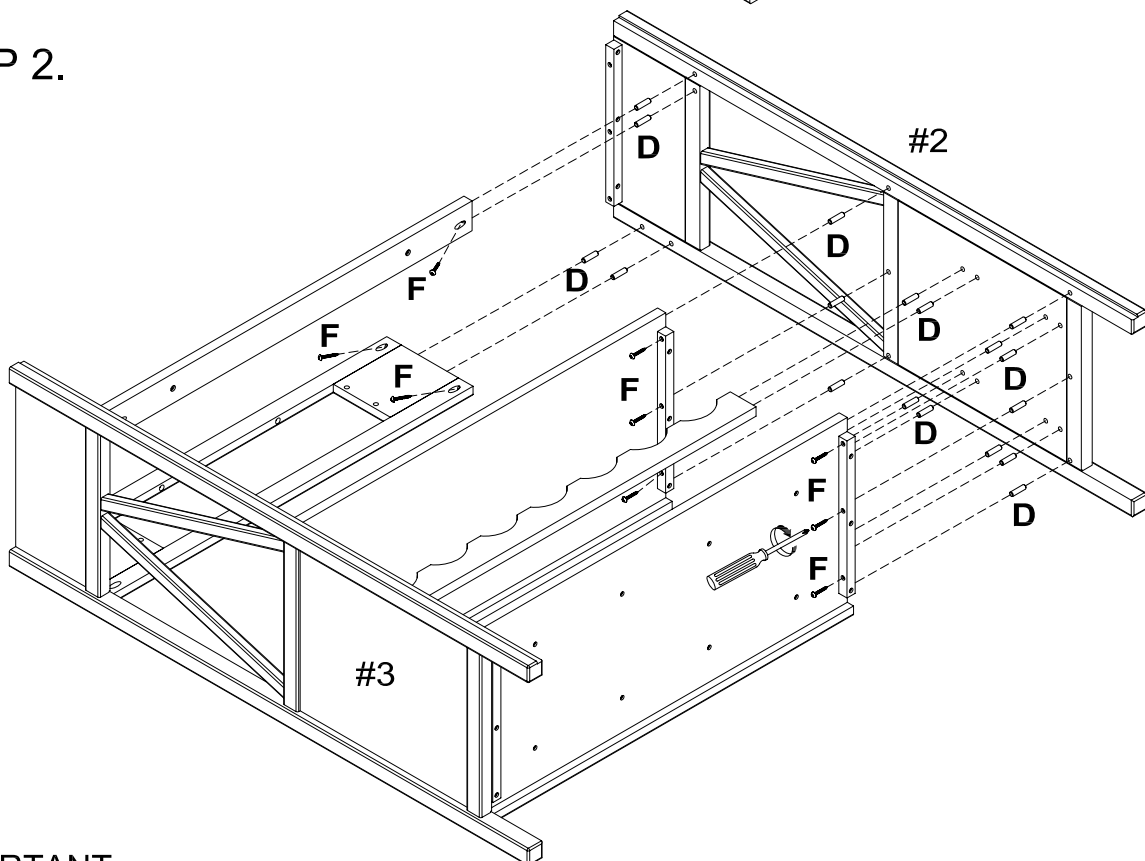
Please line up the hardware with the correct full size image to make sure you are installing the hardware correctly.

ITEM	PICTURE	DESCRIPTION	QTY
A		(Ø5x34.9mm) Not to Scale	LARGE BOLT 01
B		Not to Scale	PULL 01
C		(Ø4x40mm) Full Size	SCREW 02
D		(Ø8x30mm) Full size	WOODEN DOWEL 52
E		(Ø3.5x25mm) Full size	SCREW 08
F		(Ø4x30mm) Full size	SCREW 44
G		(Ø3x15mm) Full size	SCREW 30
H		(Ø18mm) Not to Scale	FLAT WASHER 01
I		Not to Scale	STRAP 01
J		(Ø3.5x30mm) Full size	WALL ANCHOR 01
K		Not to Scale	ANCHOR 01
L		(Ø9mm) Full size	FLAT WASHER 01

STEP 1.



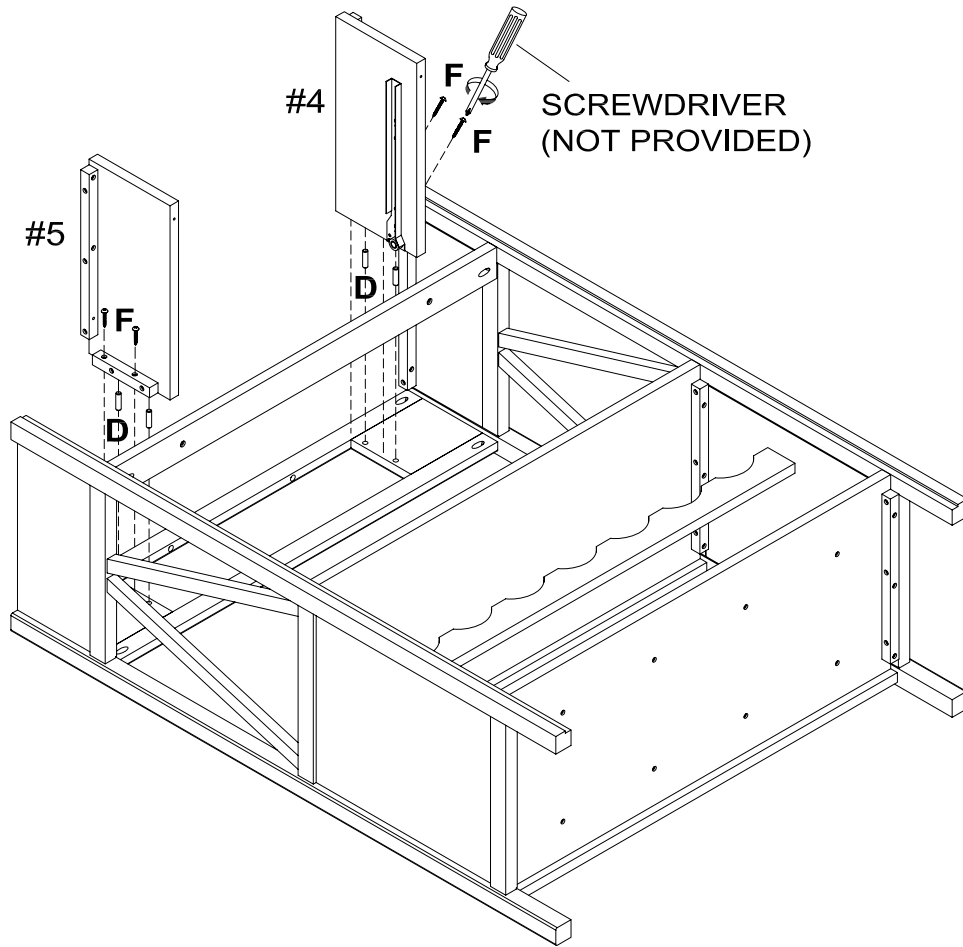
STEP 2.



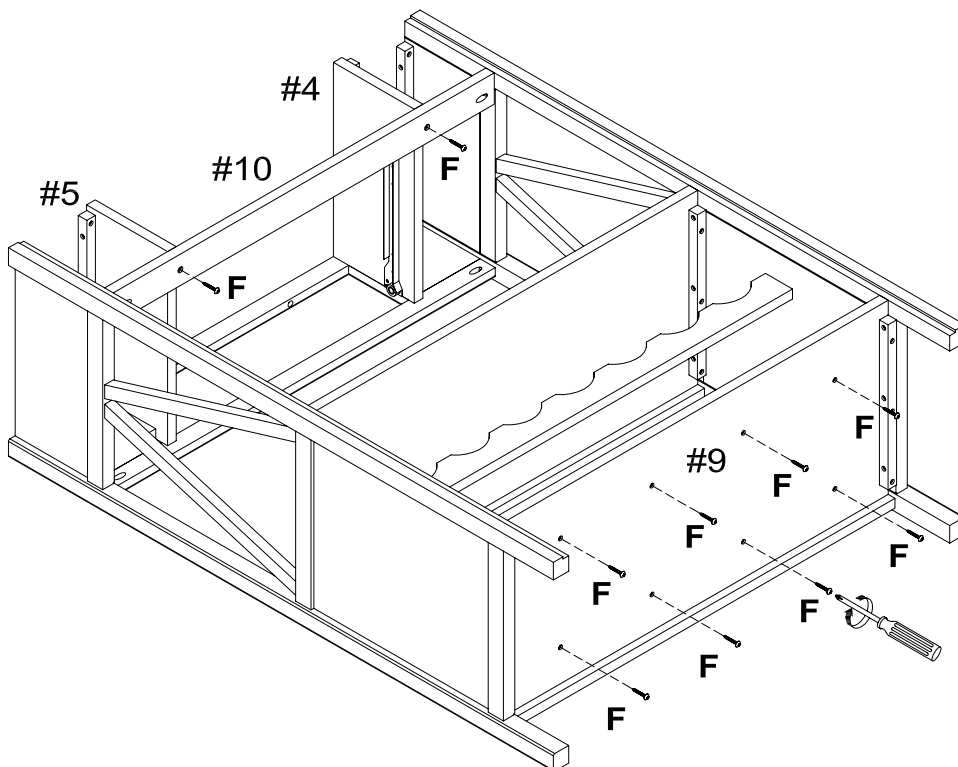
IMPORTANT:

1. DO NOT TIGHTEN BOLTS COMPLETELY UNTIL ALL BOLTS ARE COMPLETELY LINED UP AND INSERTED INTO HOLES / NUTS.
2. DO NOT OVER TIGHTEN SCREWS AND BOLTS TO AVOID STRIPPING.

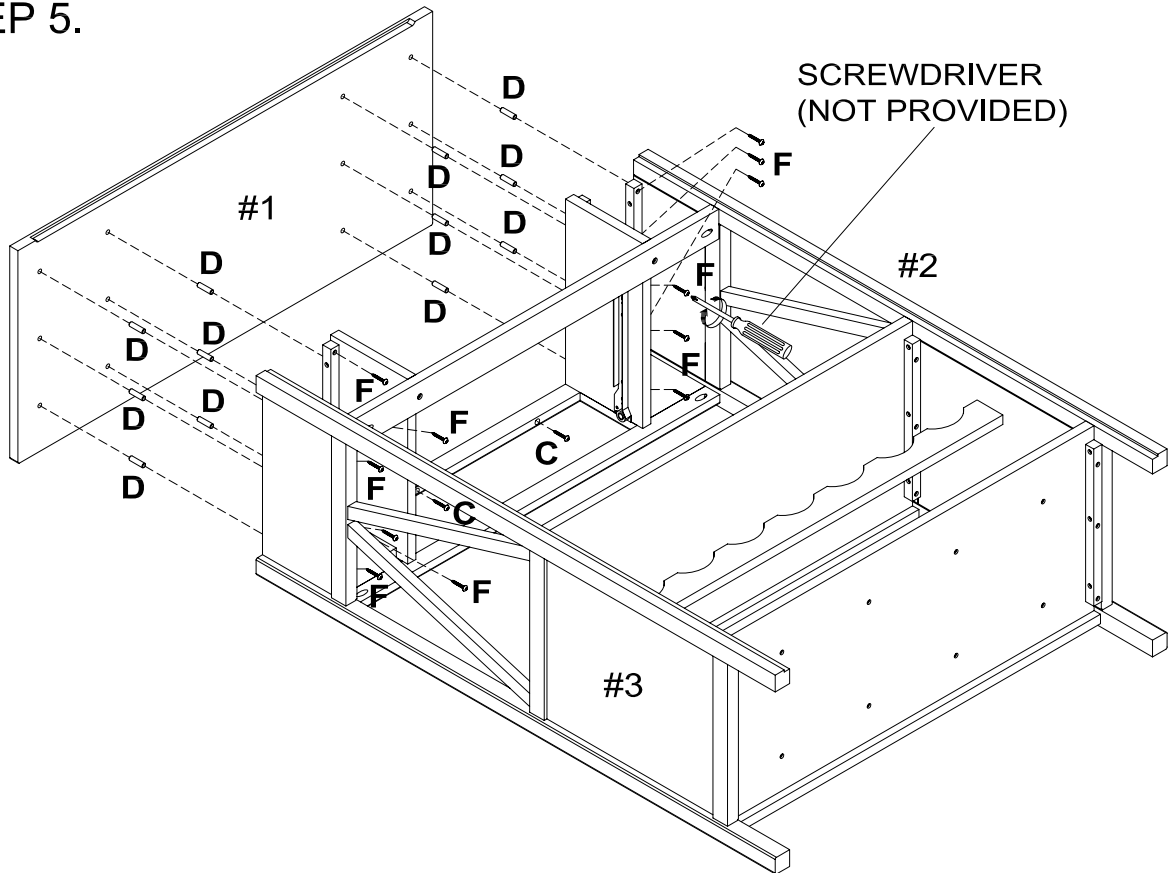
STEP 3.



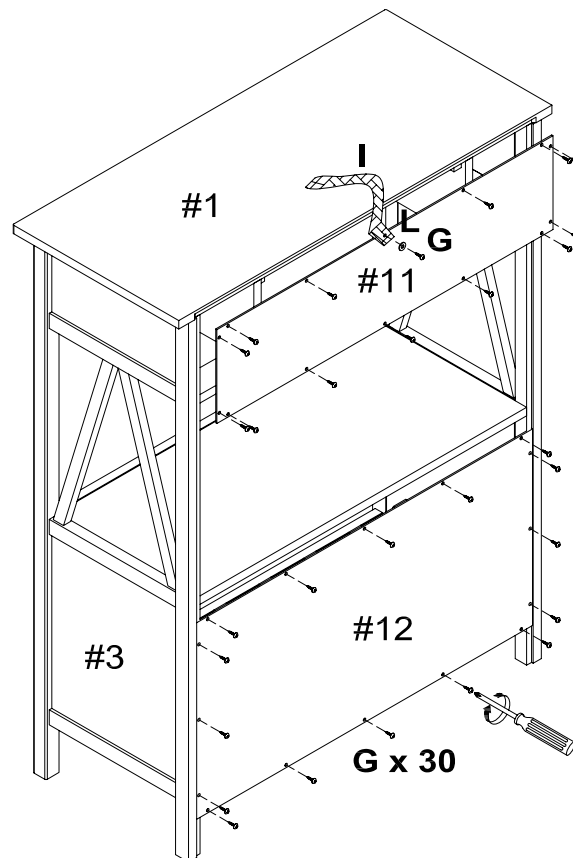
STEP 4.



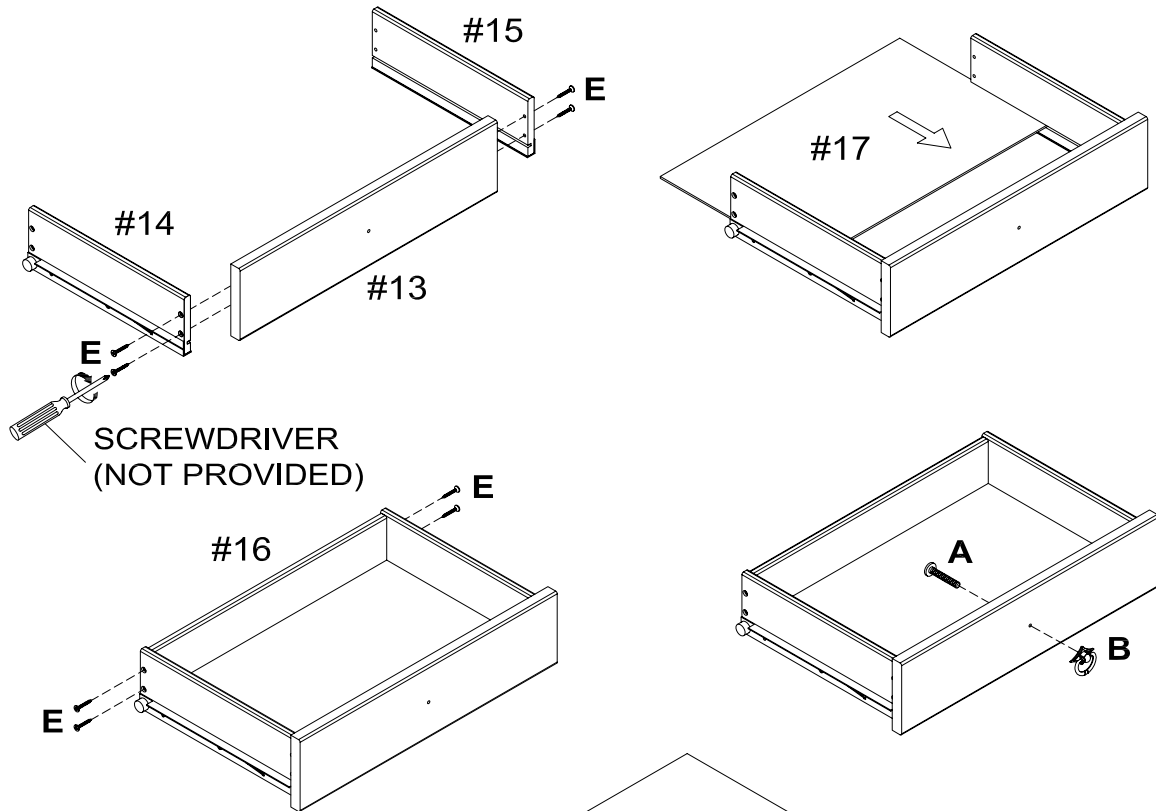
STEP 5.



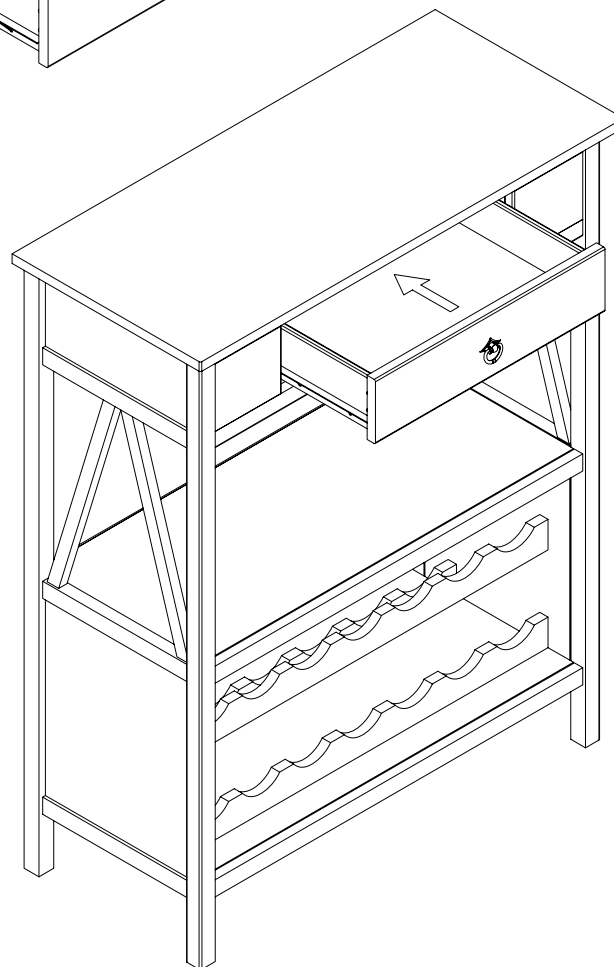
STEP 6.



STEP 7.



STEP 8.



STEP 9.

TO PREVENT TIP OVER, PRODUCT MUST BE ATTACHED TO WALL.

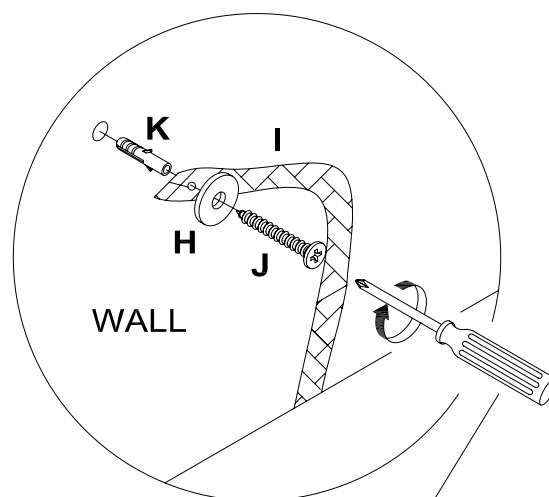
**WARNING**

Serious or fatal crushing injuries can occur from furniture tip-over. To help prevent tip-over:

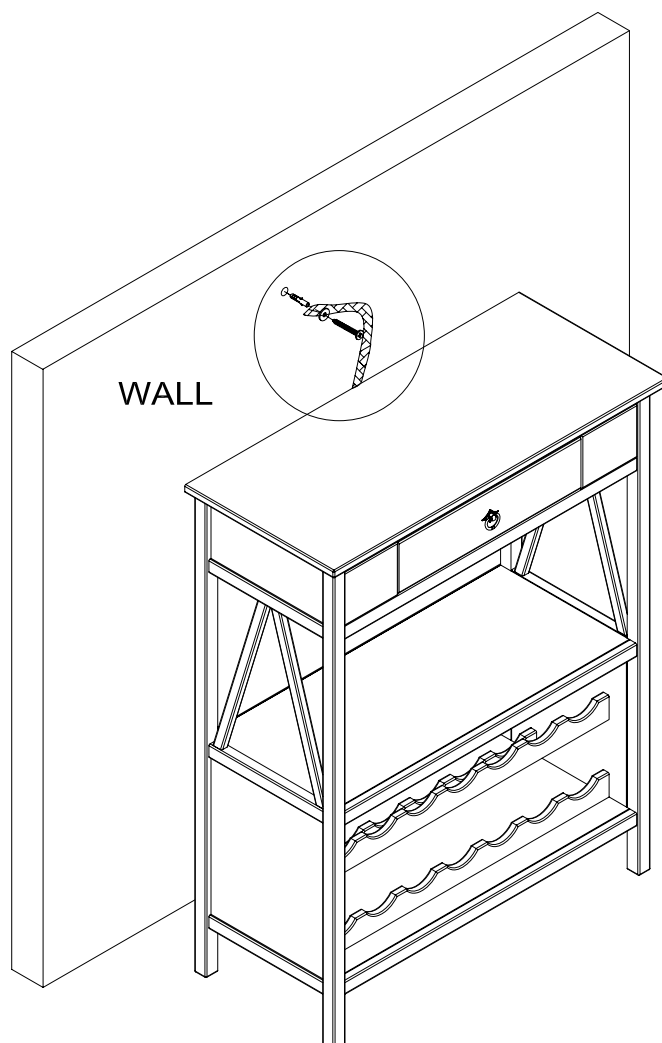
- Place heaviest items in the lowest drawers.
- Unless specifically designed to accommodate, do not set TVs or other heavy objects on the top of this product.
- Never allow children to climb or hang on drawers, doors, or shelves.
- Do not defeat or remove the drawer interlock system.

Use of tip-over restraints may only reduce, but not eliminate, the risk of tip-over.

This is a permanent label. Do not attempt to remove!



**SCREWDRIVER
(NOT PROVIDED)**



LIMITED WARRANTY
