

Per Seat Weight Limitation

100 LBS

Thank You For Choosing Our Furniture

▀ If you have any questions or concerns,
don't hesitate to reach out to us. ▴

Call us: +1(833)324-2464
Email: hello@hulalahome.com

NOTE:






This brochure contains
IMPORTANT safety info.
Please read and keep it
for future reference.

MAINTAINANCE AND WARNINGS



Before You Start

Please follow the steps below:

-  Check the packaging for any damage, deformation, or water stains. If there is significant damage, please contact us promptly.
-  Open the packaging and confirm that the panels, hardware, screws, etc are complete.
-  Please read the installation instructions carefully to understand the installation steps and precautions to ensure proper installation.
-  Clean the installation area in advance and ensure the ground is level and there is enough space to avoid damaging the furniture or making installation difficult.
-  Lay a protective mat on the ground to prevent scratching the floor during installation.

After-Sales Service

- If you encounter any issues or need technical support during use, please contact our after-sales team. We offer long-term maintenance and warranty services.



Precautions

- ⚠ This product for indoor use only. Do not expose it to outdoor elements or high-humidity environments.
- ⚠ Keep the product away from high heat or open flames to prevent fire hazards.
- ⚠ Do not allow children to climb on the product to prevent personal injury caused by tipping



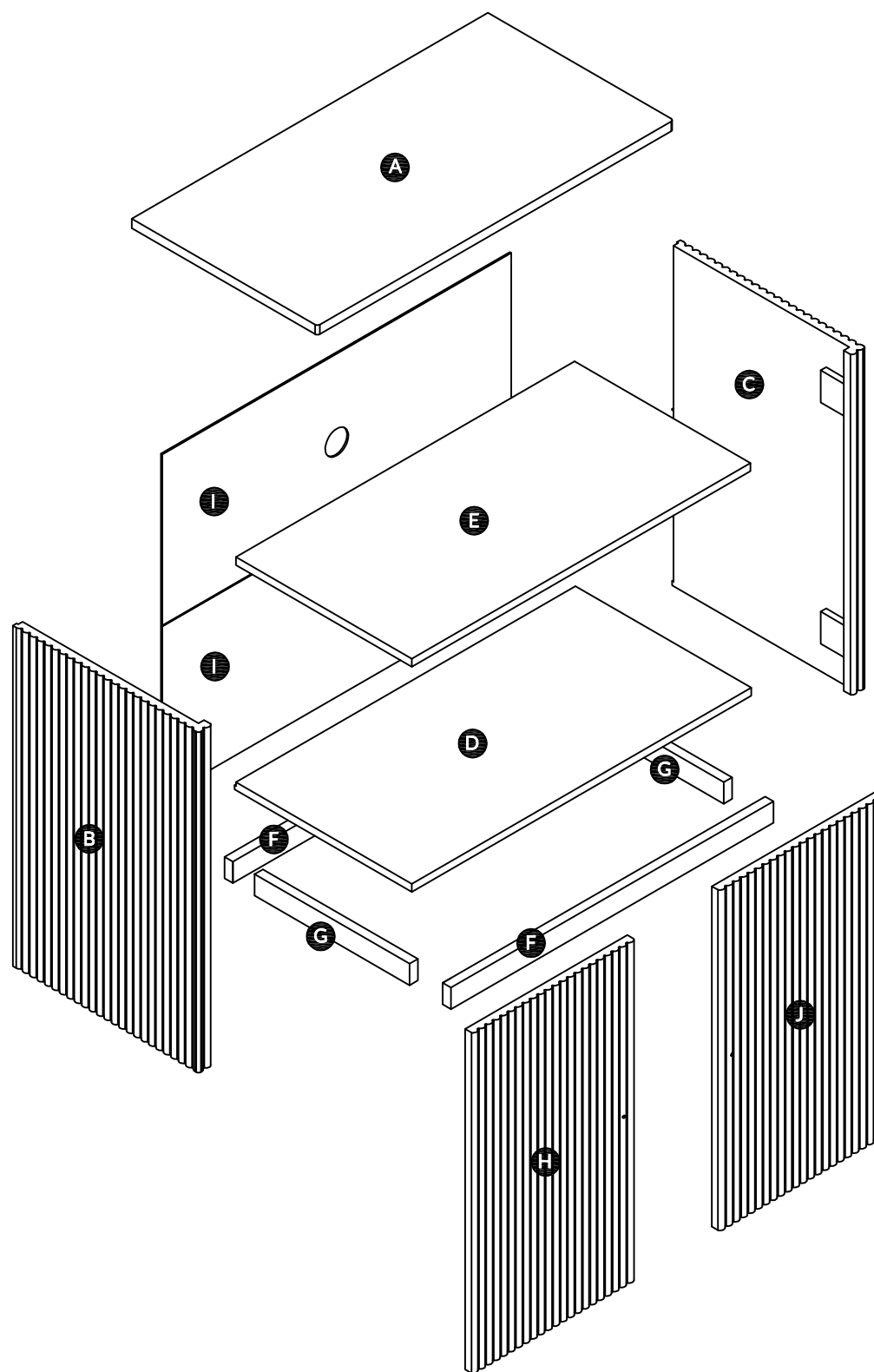
Safety Warnings

- ⚠ If you notice any loose or damaged parts, stop using the product immediately and contact customer service.
- ⚠ Do not attempt to disassemble or replace any components yourself, as this may affect the stability and safety of the product.

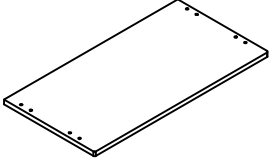
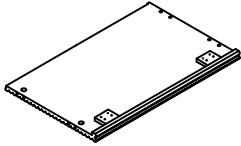
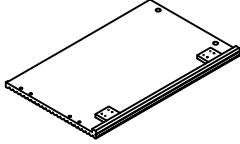
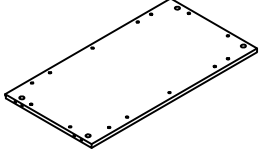
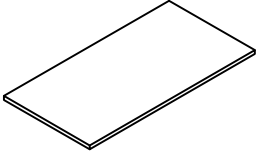
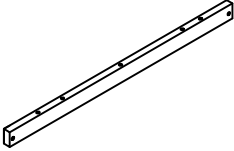
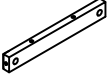
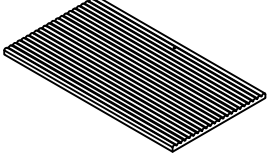
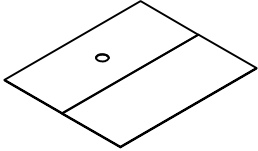
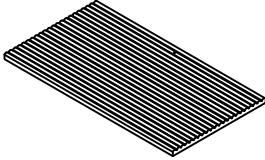
Daily Maintenance

- Regularly clean the surface of the sofa with a soft cloth to prevent dust accumulation.
- Do not use cleaning agents containing acids, alkalis, or corrosive substances, as they may damage the surface. It is recommended to use neutral cleaning agents or specialized furniture cleaners
- Avoid exposing furniture to humid environments for extended periods to prevent swelling or deformation of the boards. Use a dehumidifier or desiccant during humid weather.
- Avoid direct contact of furniture with water. If water is accidentally spilled, wipe it dry immediately.
- Avoid placing excessively heavy objects on the furniture: ensure the weight is within a reasonable load-bearing range.
- Avoid using sharp or rough items on the furniture surface to prevent scratches, Handle items gently when moving them

Explosive view

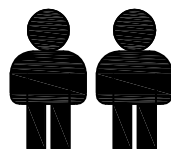


Parts list

 x1	 x1	 x1	 x1
 x1	 x2	 x2	 x1
 x1	 x1		

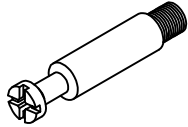

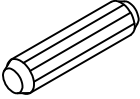
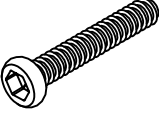



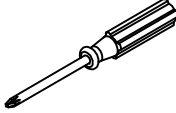



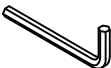
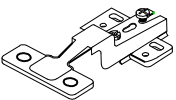
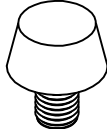


Installation:
30minutes.



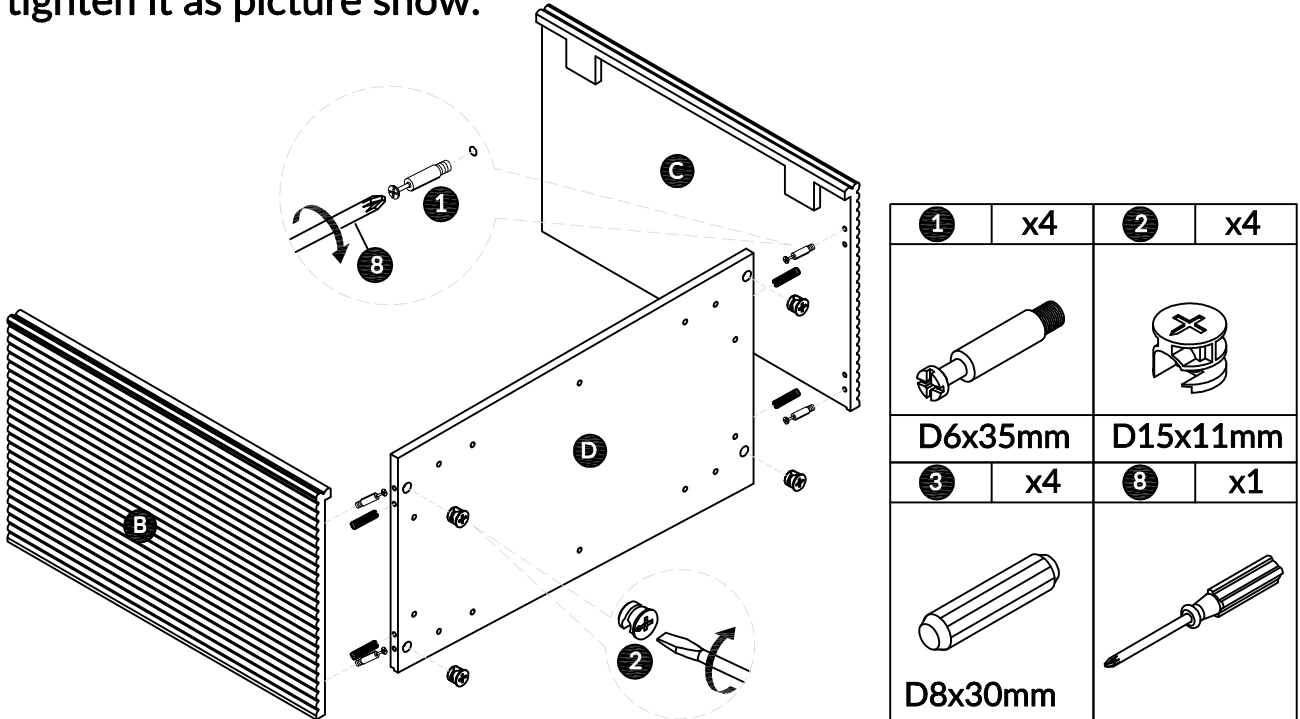
Two Person

Hardware List

<p>1 x12+1</p>  <p>D6x35mm</p>	<p>2 x12+1</p>  <p>D15x11mm</p>	<p>3 x12+1</p>  <p>D8x30mm</p>	<p>4 x10+1</p>  <p>M6x45mm</p>	<p>5 x4</p> 
<p>6 x24+2</p>  <p>D3x12mm</p>	<p>7 x18+2</p>  <p>D3x14mm</p>	<p>8 x1</p> 	<p>9 x2</p> 	<p>10 x2</p>  <p>M4x20mm</p>
<p>11 x2</p> 	<p>12 x1</p>  <p>M4</p>	<p>13 x4</p> 	<p>14 x4</p> 	

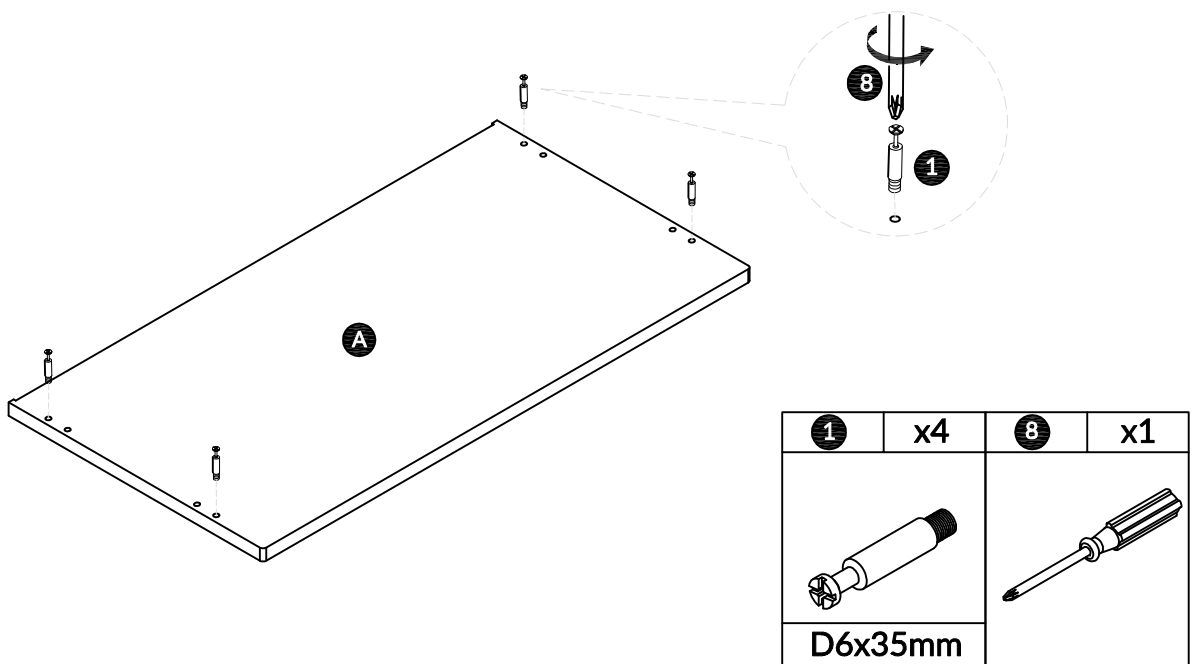
Step 1

Insert panel (B/C) into the corresponding hole of bottom panel D, make sure all holes aligned and use combiner (1/2) and 3 to tighten it as picture show.



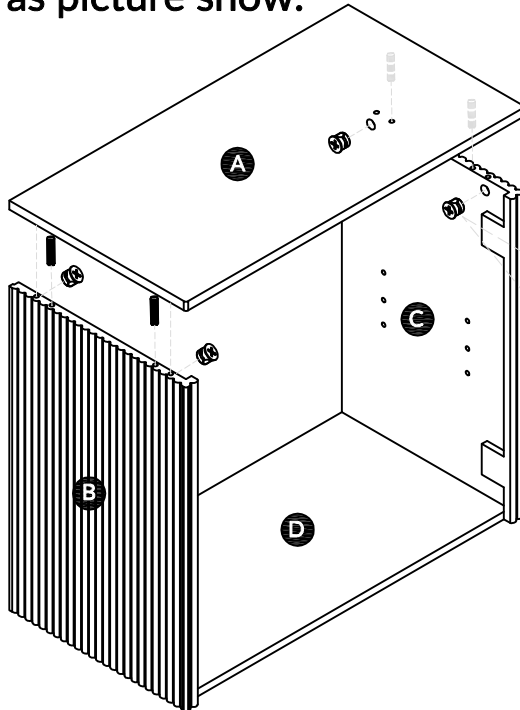
Step 2

Assemble 1 on to the panel(A) as picture show.



Step 3

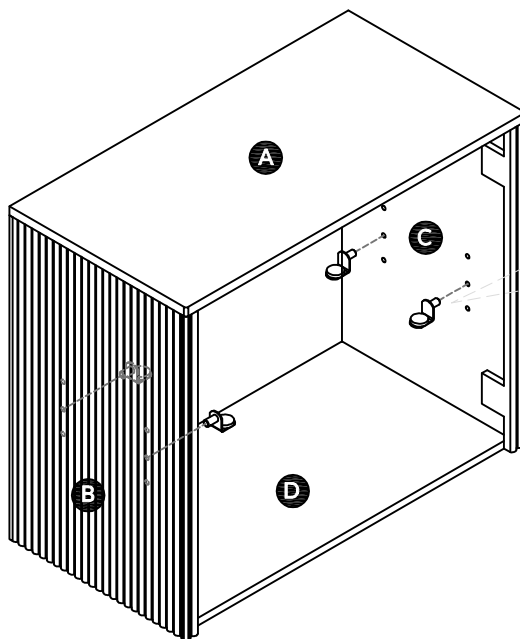
Attach panel(A) into the corresponding hole of side panel (B/C), make sure all holes aligned and use combiner (1/2) and 3 to tighten it as picture show.



2	x4		
D15x11mm			
3	x4	8	x1
D8x30mm			

Step 4

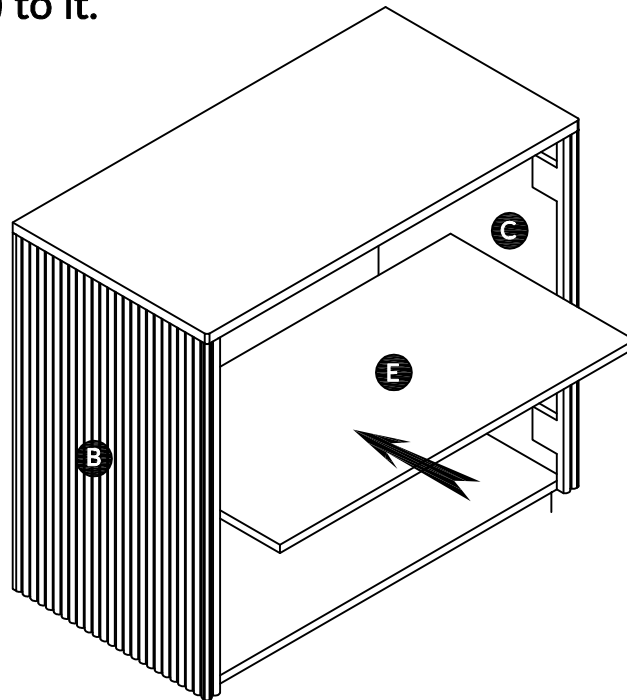
Assemble 5 in to the panel(B/C) as picture show.



5	x4		

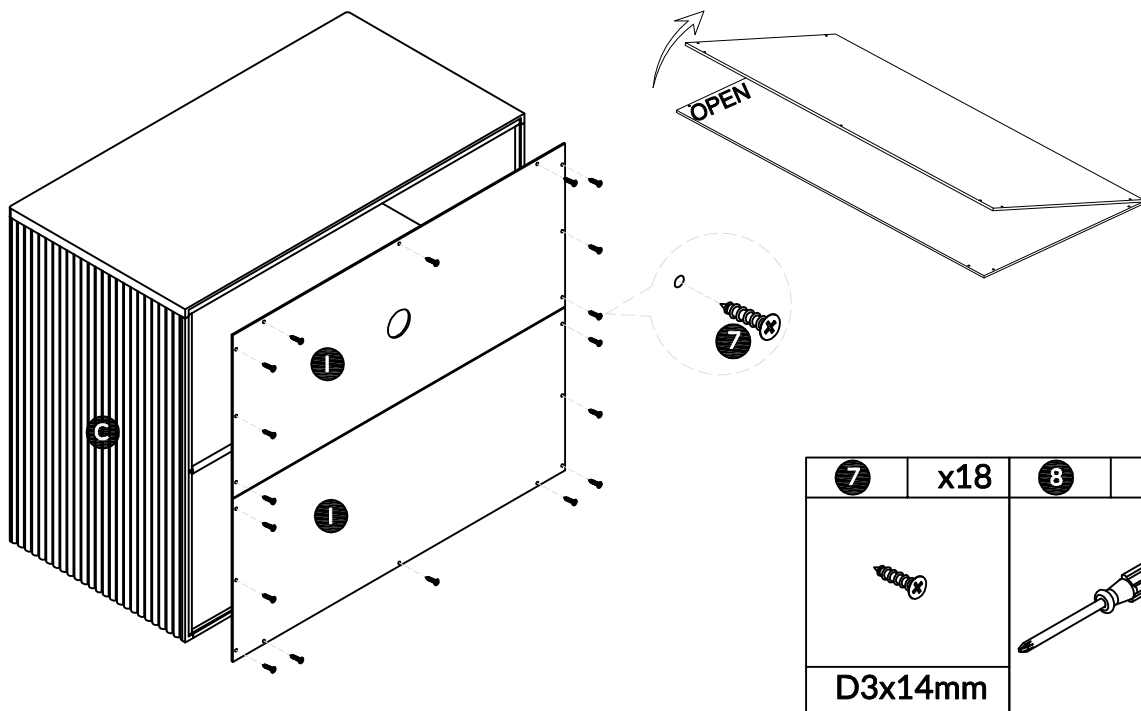
Step 5

Attach panel(E) to it.



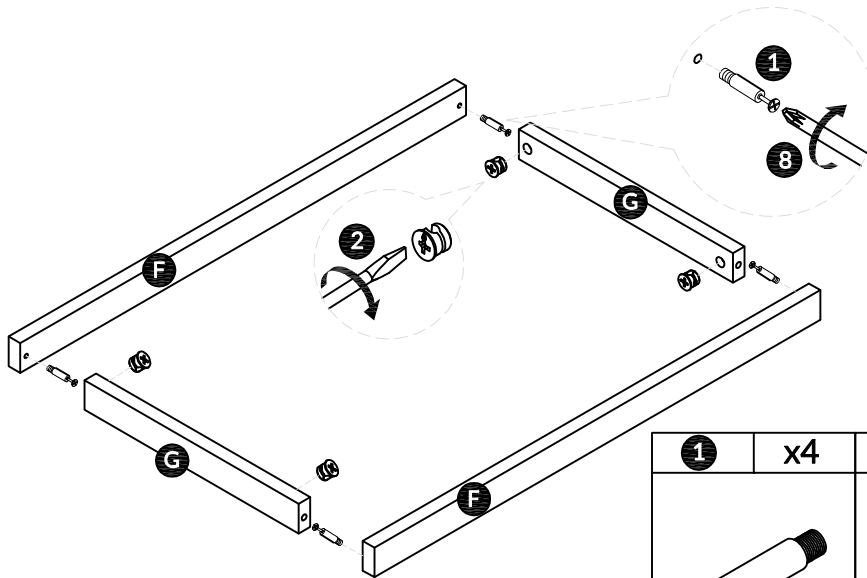
Step 6

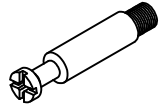

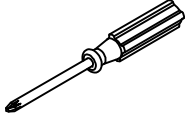
Open the back panel(I),make sure all holes aligned and use screw 7 to attach them , tighten screw with screwdriver 8.



Step 7

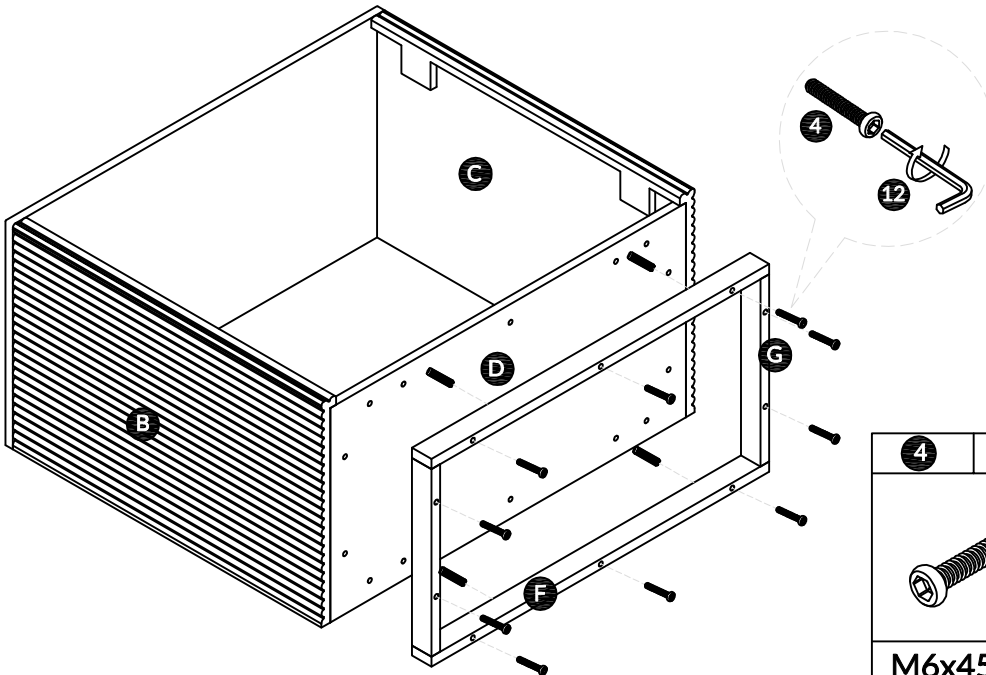
Insert panel F into the corresponding hole of panel G, make sure all holes aligned and use combiner (1/2) and 8 to tighten it as picture show.

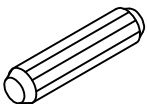
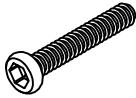
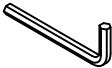


1	x4	2	x4	8	x1
					
D6x35mm		D15x11mm			

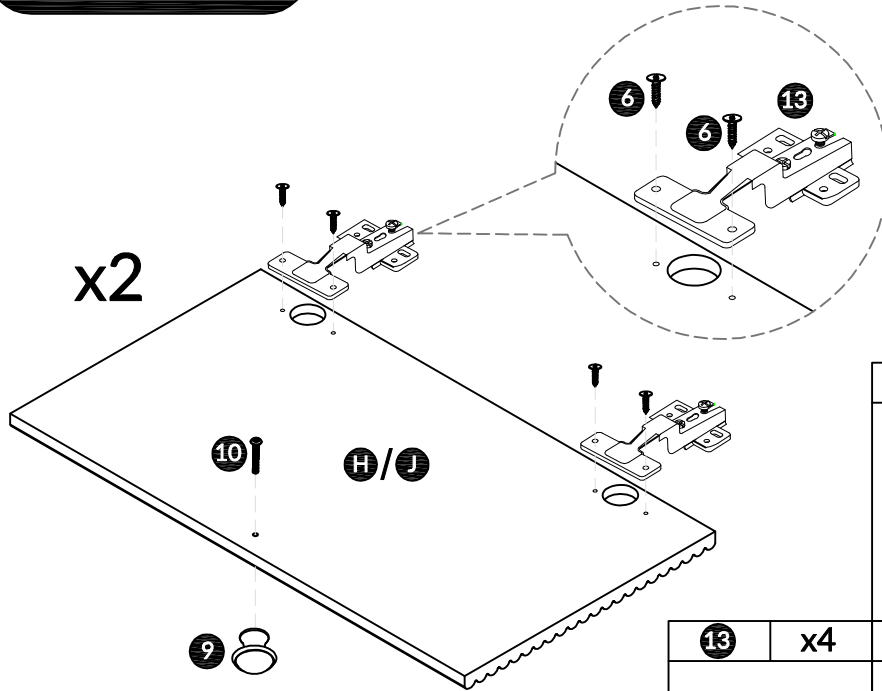
Step 8

Use Allen key 12 and screw 4 into the corresponding hole of bottom panel (D), make sure all holes aligned as picture show.



3	x4	4	x10	12	x1
					
D8x30mm		M6x45mm		M4	

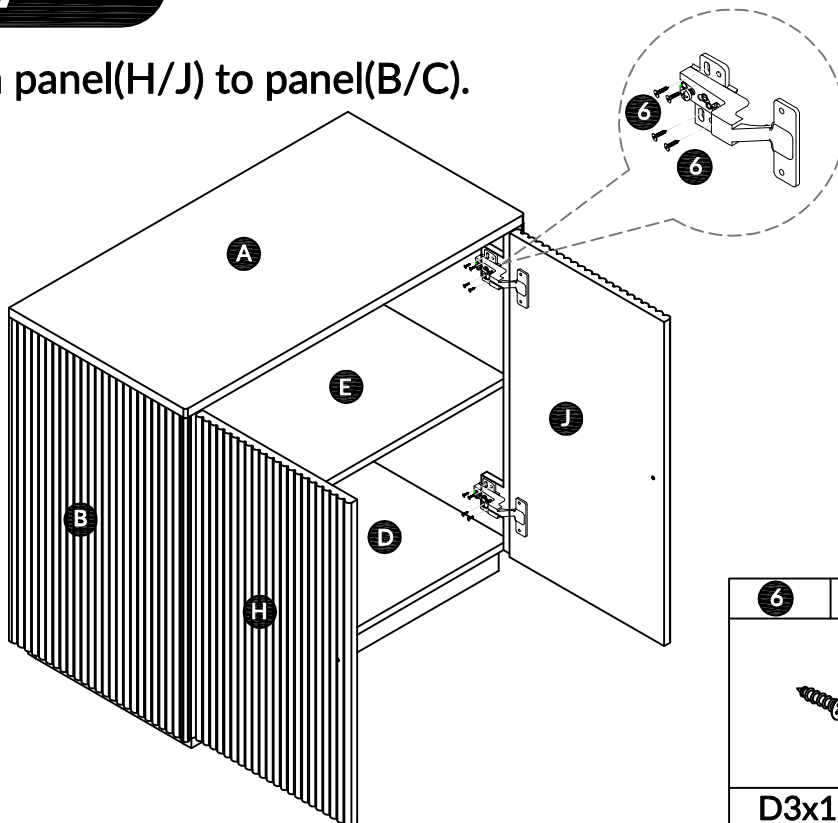
Step 9



9	x2	10	x2
		M4x20mm	
13	x4	6	x8
		D3x12mm	
		8	x1

Step 10

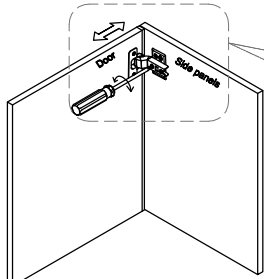
Attach panel(H/J) to panel(B/C).



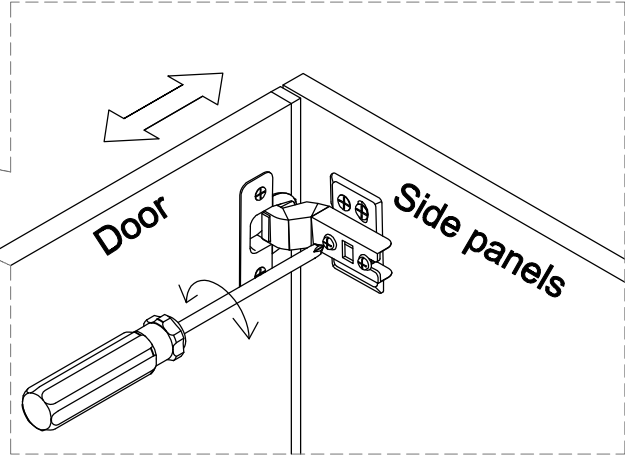
6	x16	8	x1
D3x12mm			

Door Hinge Adjustment Instructions

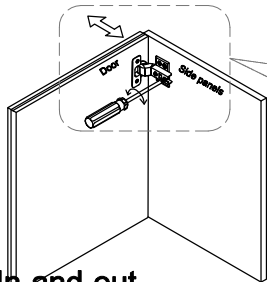
Concealed hinges are three-way adjustable:



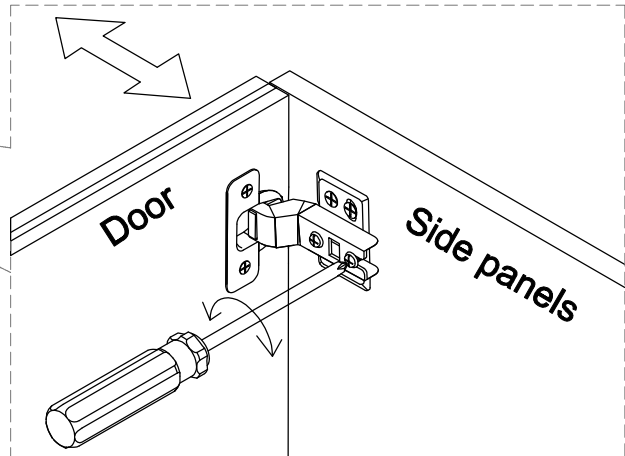
Horizontal
by screw adjustment!



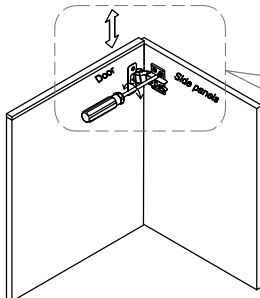
Concealed hinges are three-way adjustable:



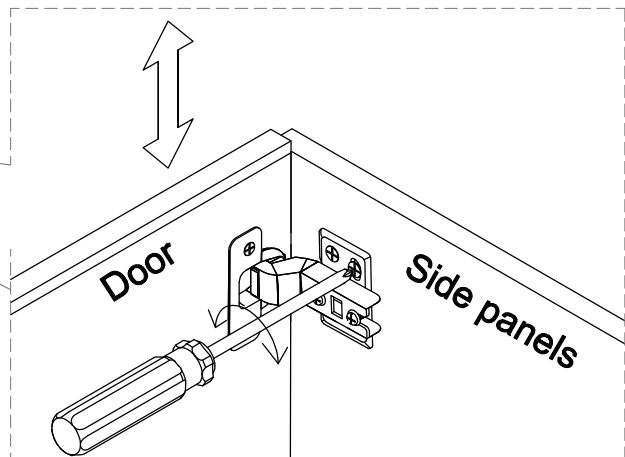
In-and-out
by loosening the hinge arm
mounting screw or via cam
adjustment!



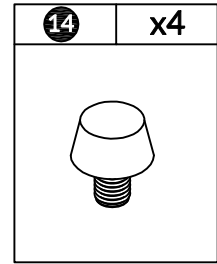
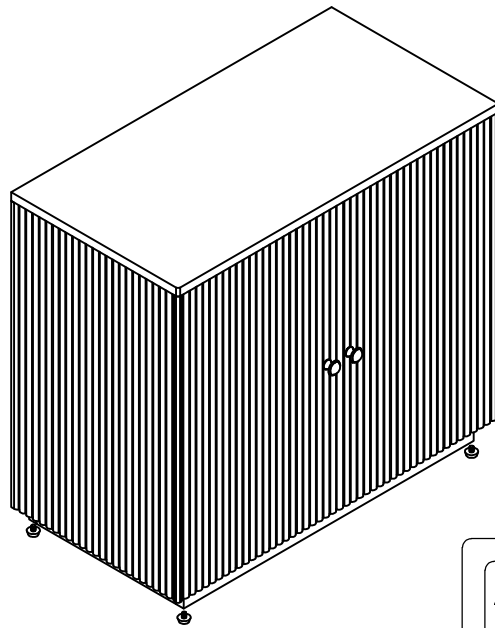
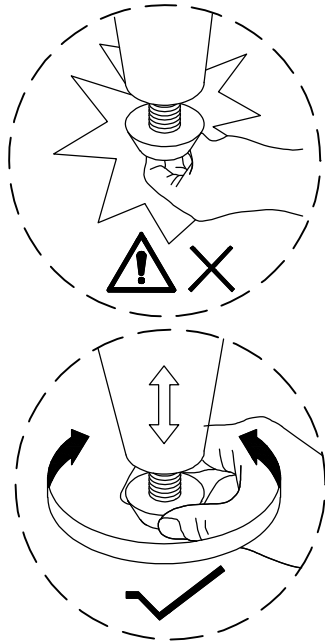
Concealed hinges are three-way adjustable:



Vertical via slots in
the mounting plate
or via cam adjustment!



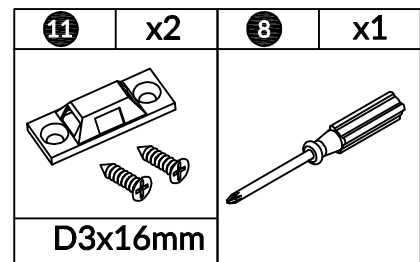
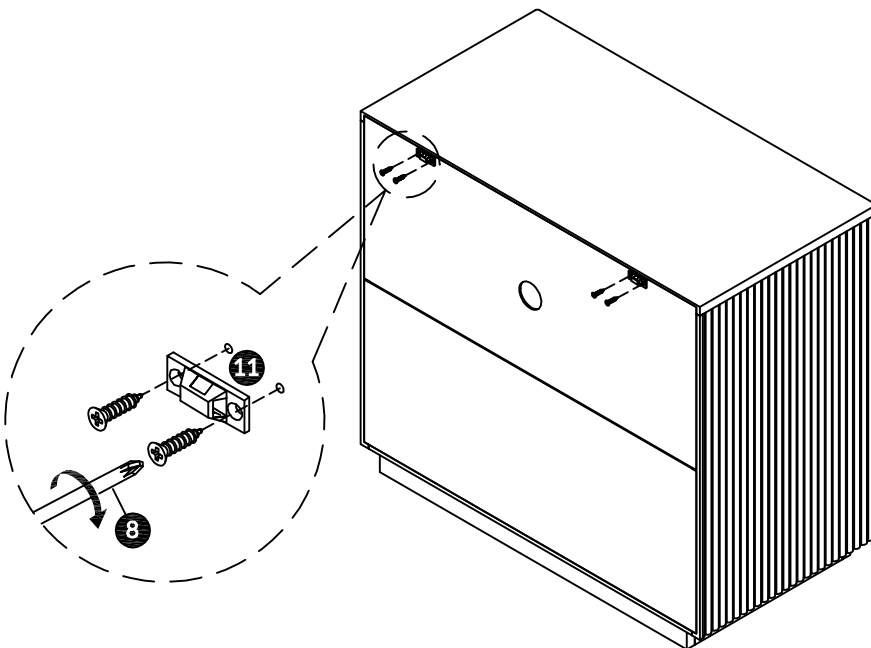
Step 11



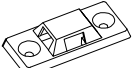
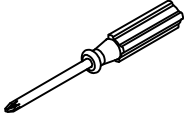
Attention:
Before the next step, adjust the feet of the locker to keep it level.

Step 12

Use screw to attach part 11 to back (A), tight screw with screwdriver 8.



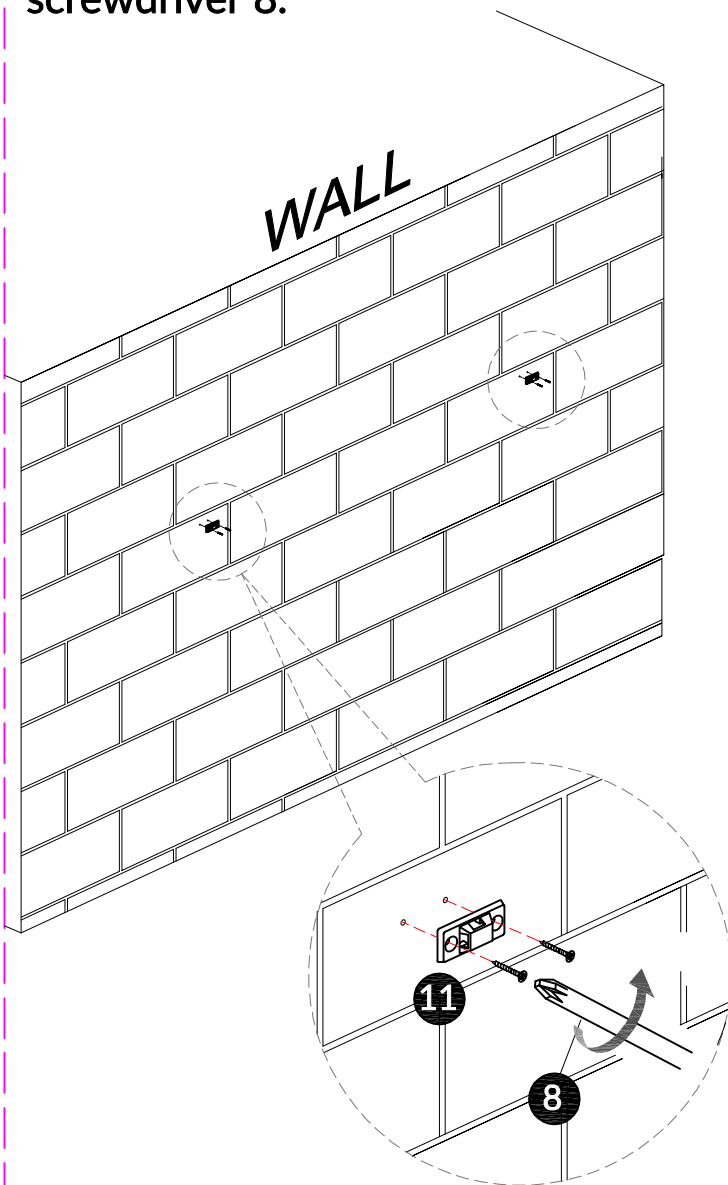
Step 13

11	x2	8	x1
			
D3.5x35mm			

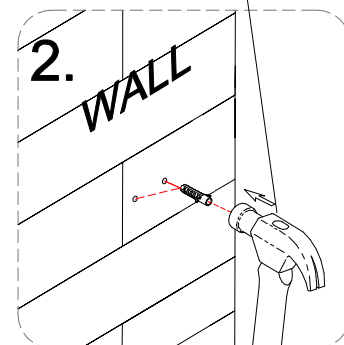
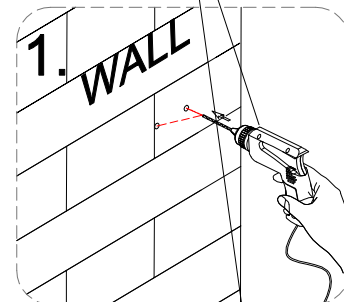
1. Install the anti-collapse device.

2. Mark the position on the wall, that corresponds to the location of part 11 on the of panel (A); Drill and insert the expandable screw by hammer.

3. Assemble the part 11 to the wall. Align the hole in the part 11 with the expandable screw, use screw to attach it and tighten by screwdriver 8.

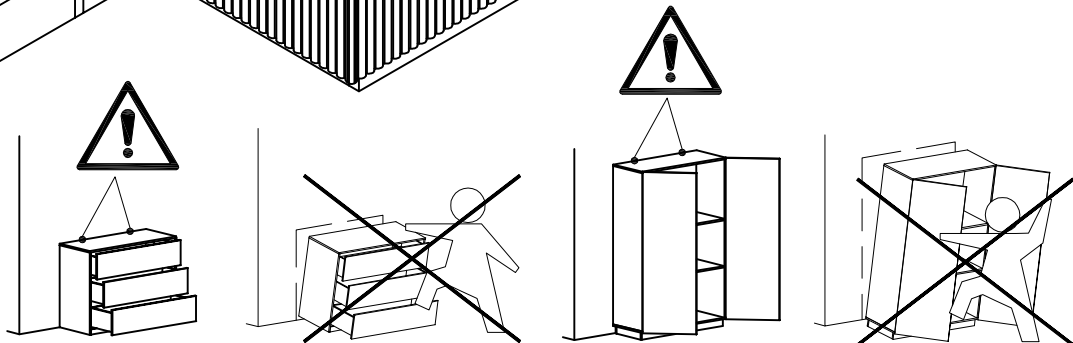
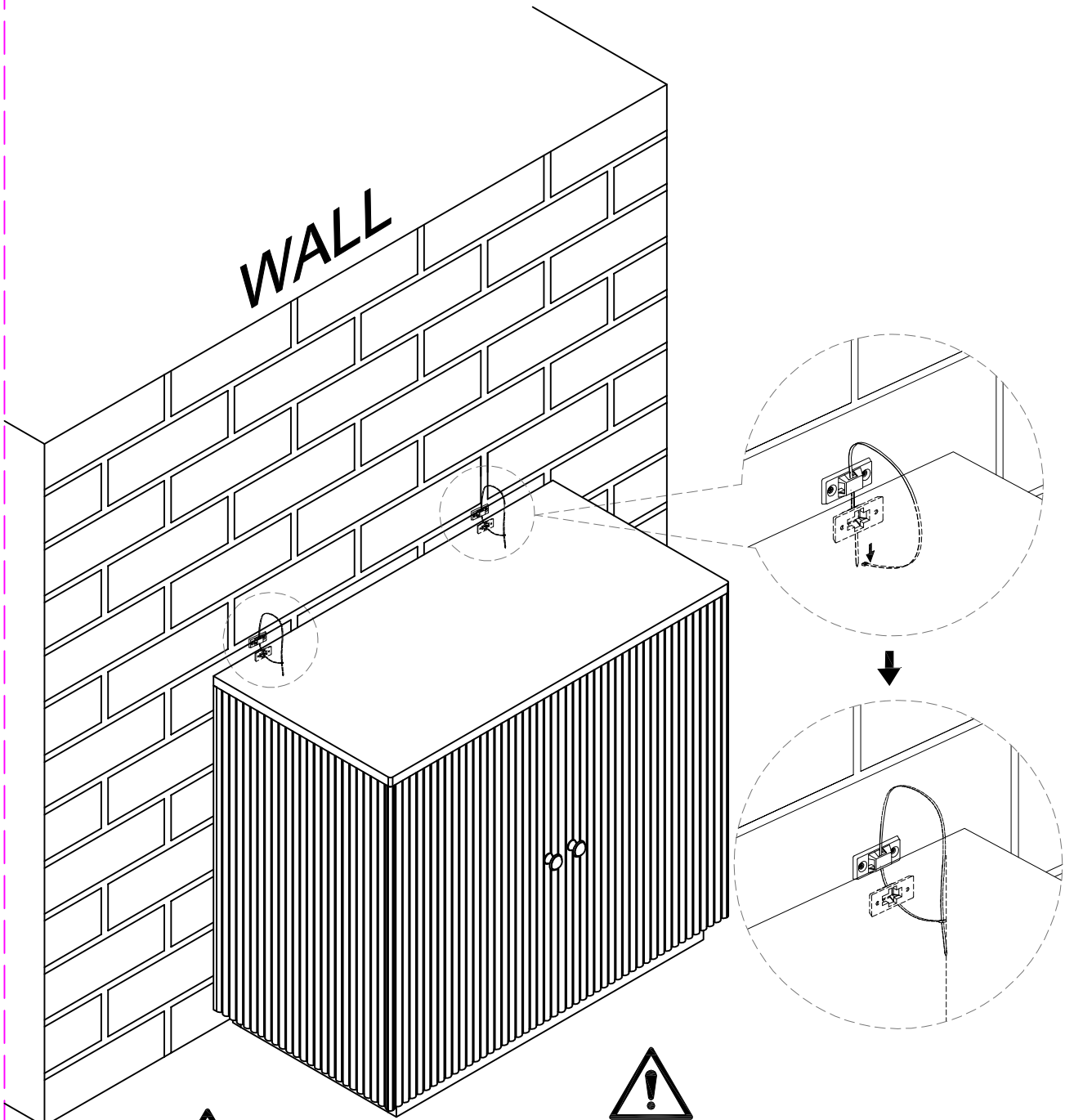


NOT PROVIDED



Step 14

Let the plastic belt 2 pass through the both part 11 and pull tightly.



WARRANTY

- We strive to offer quality products, and we also try our best to satisfy every customer who orders from us with products or services as needed.
- We provide 30 days warranty starting from the time you receive the item. Each customer must provide a record of their orders such as the order number, or item receipt for any items that are out of the warranty period you may also still receive.
- Replacement parts by purchasing them from our company if they are available.
- For return, please check the return policy with the retailer or market place you bought from

Appreciate your purchasing from us.
Pop up your life by our furniture piece!