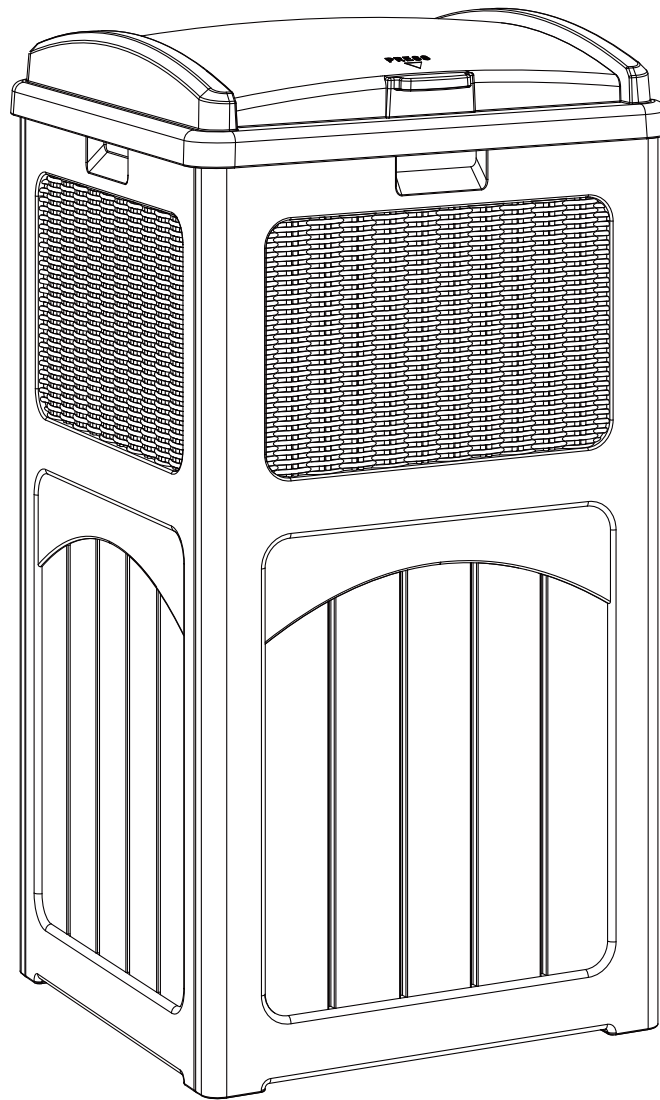


ASSEMBLY INSTRUCTIONS

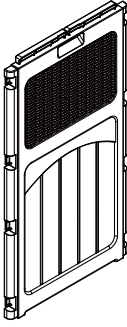
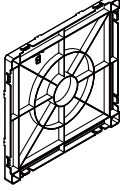
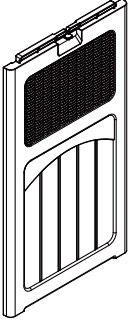
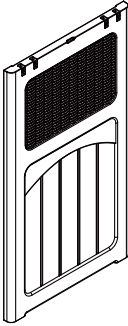

■ 1-Piece

Outdoor storage bin



Parts

Check and make sure you get the components on the list, contact us for any missing

A		X2	B		X1
C		X1	D		X1
E/F		X1			

Assembly steps

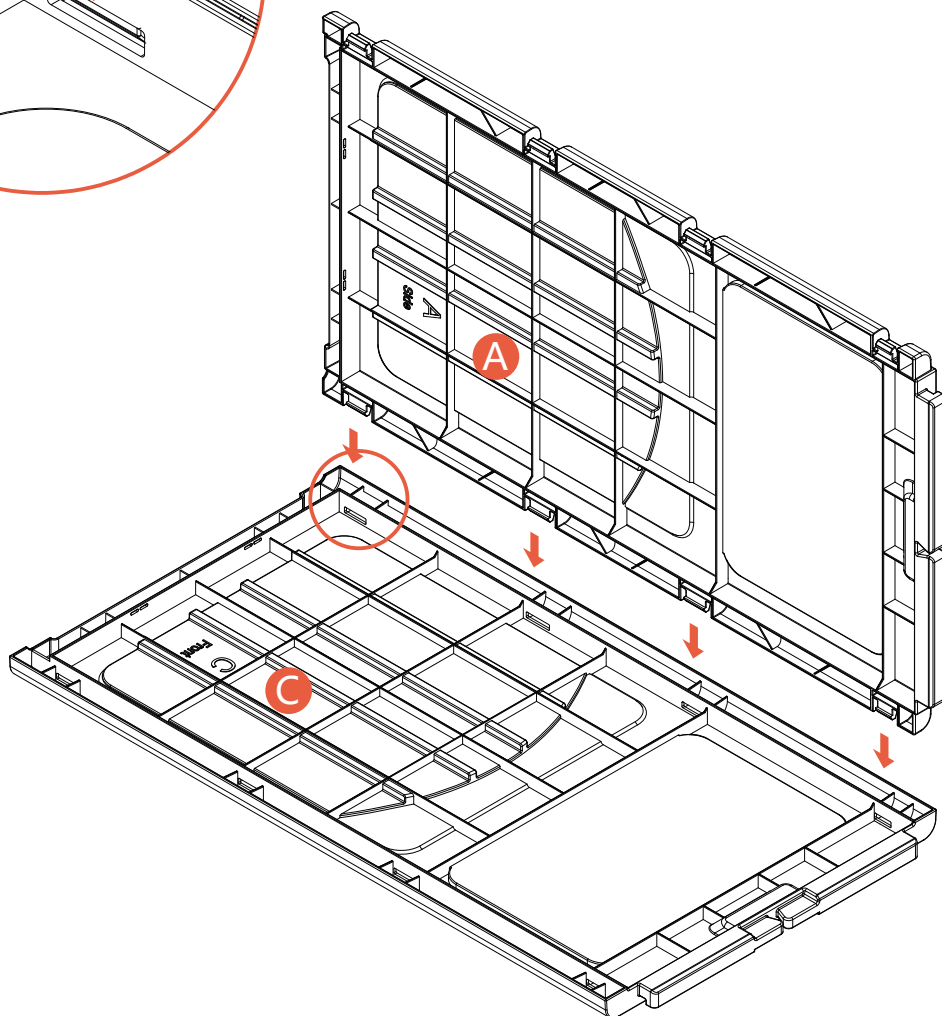
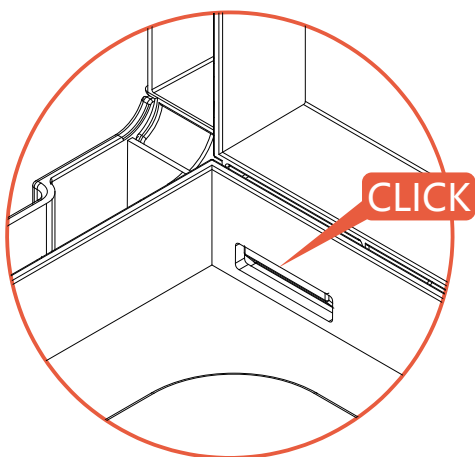
Step 1



A (X1)



C (X1)

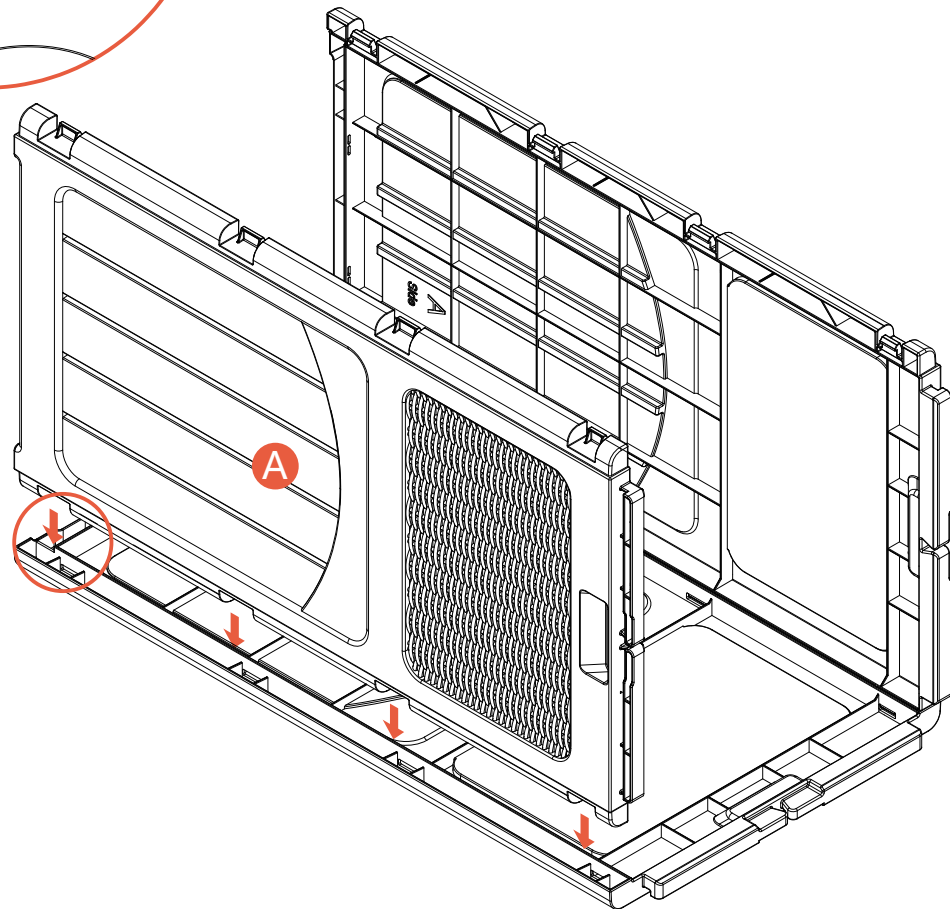
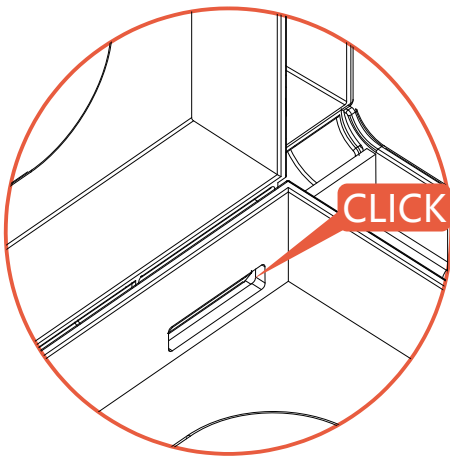


Assembly steps

Step 2



A (X1)

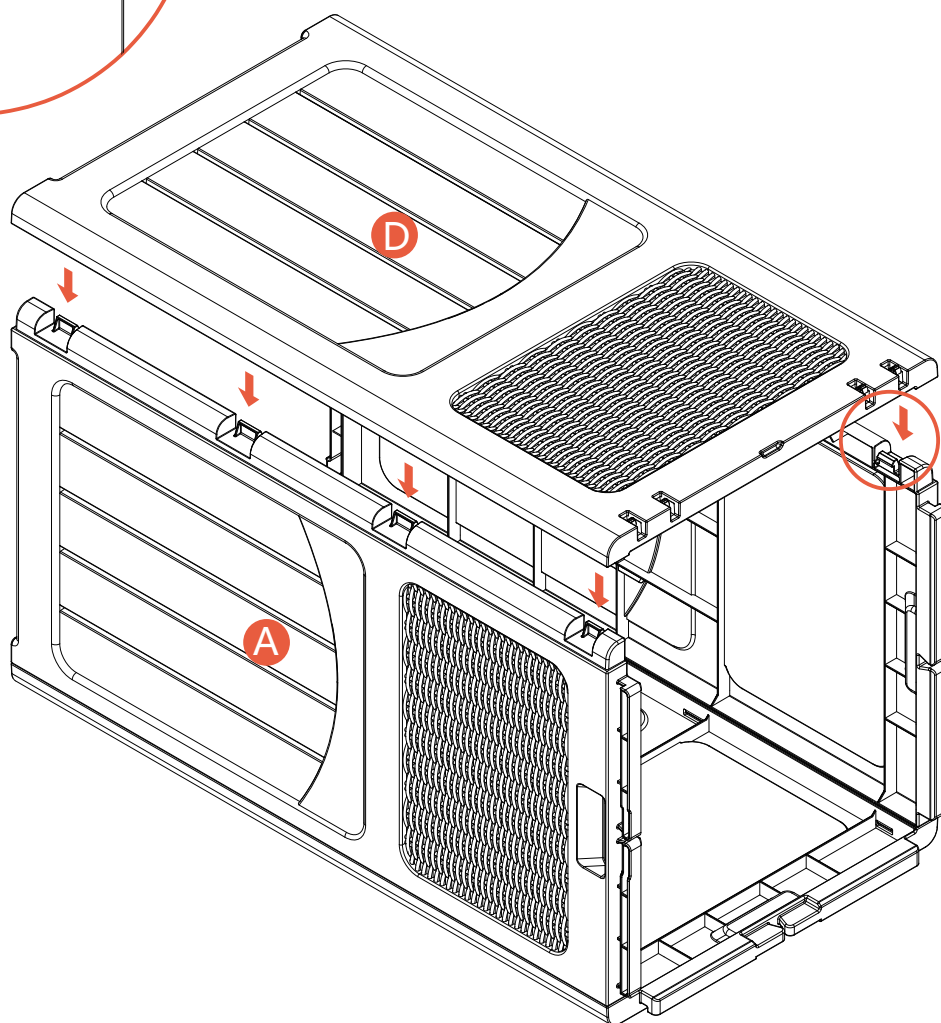
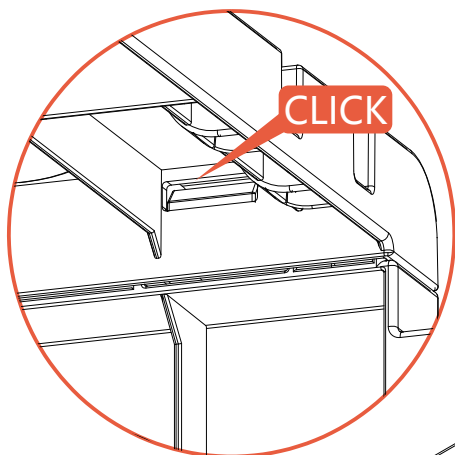


Assembly steps

Step 3

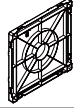


D (X1)

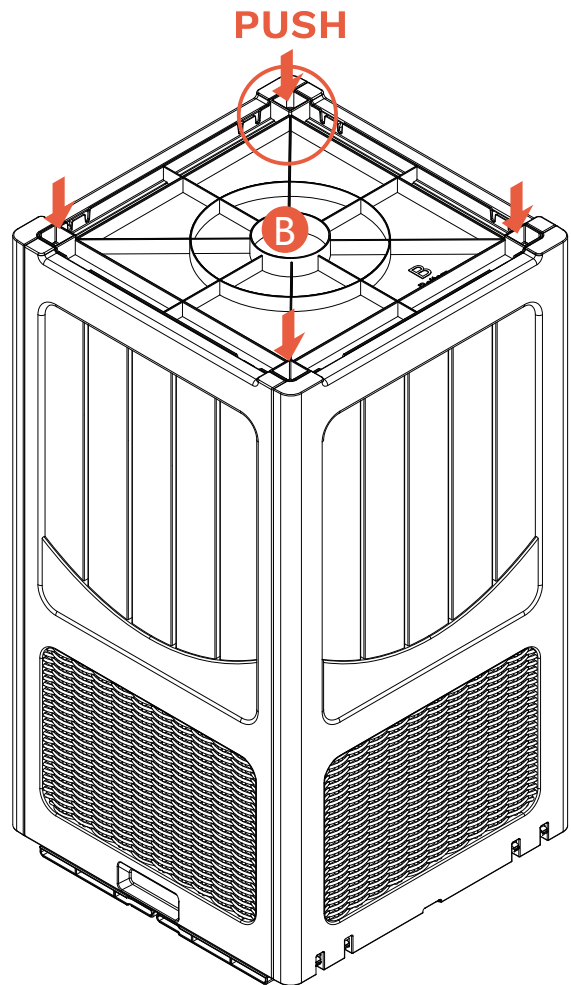
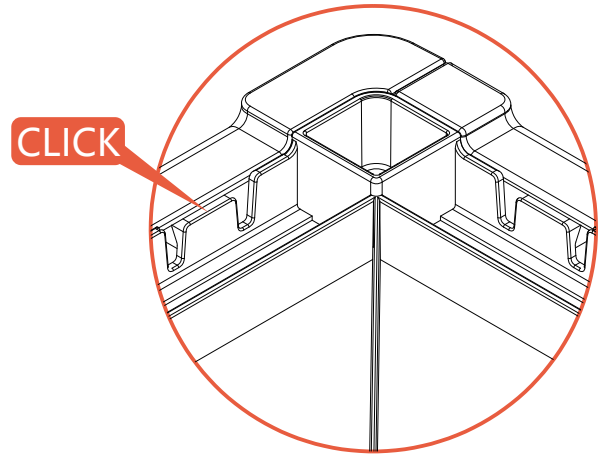
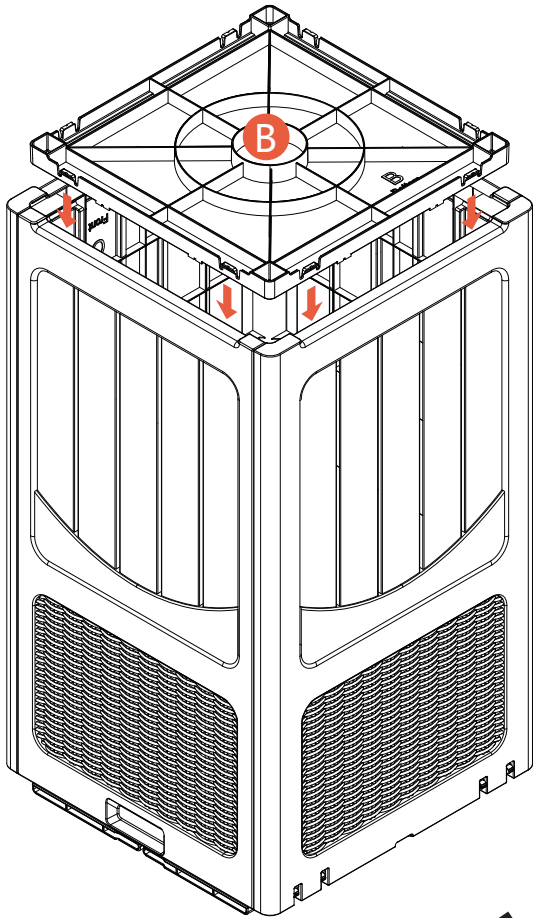


Assembly steps

Step 4

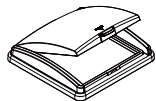


B (X1)

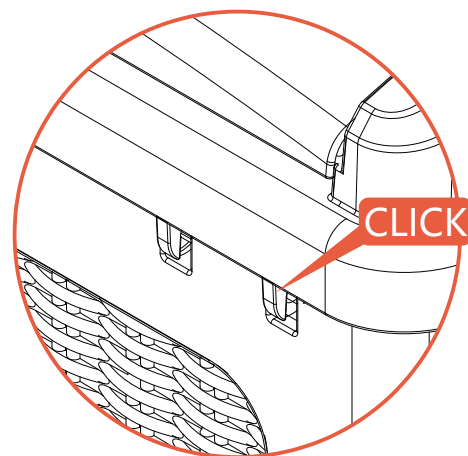
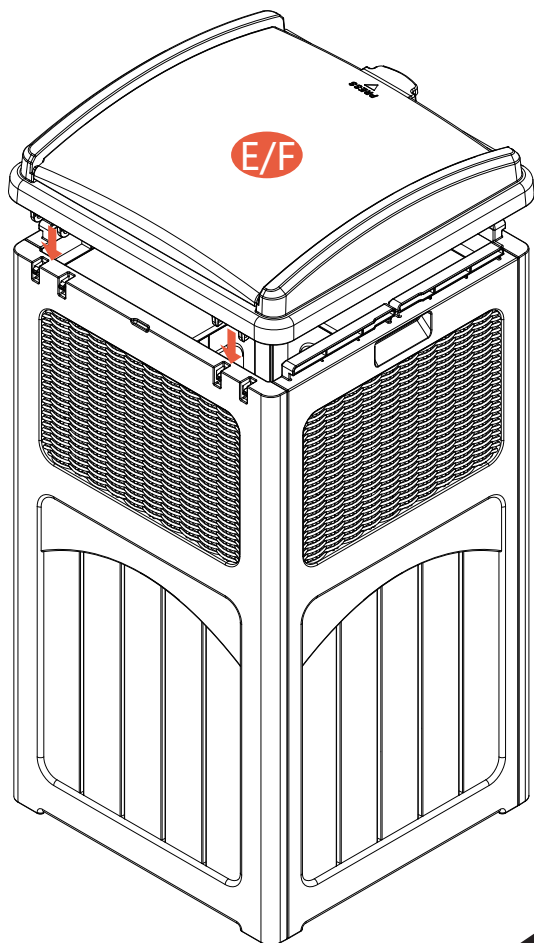


Assembly steps

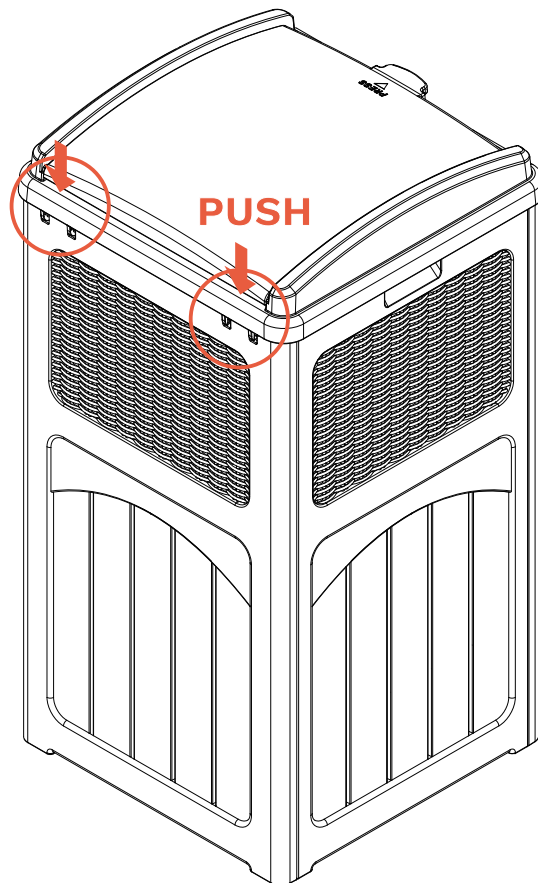
Step 5



E/F (X1)

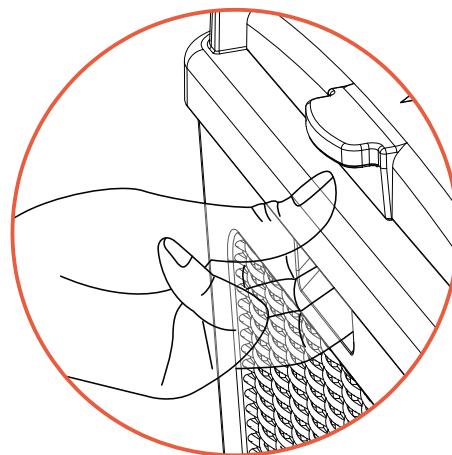
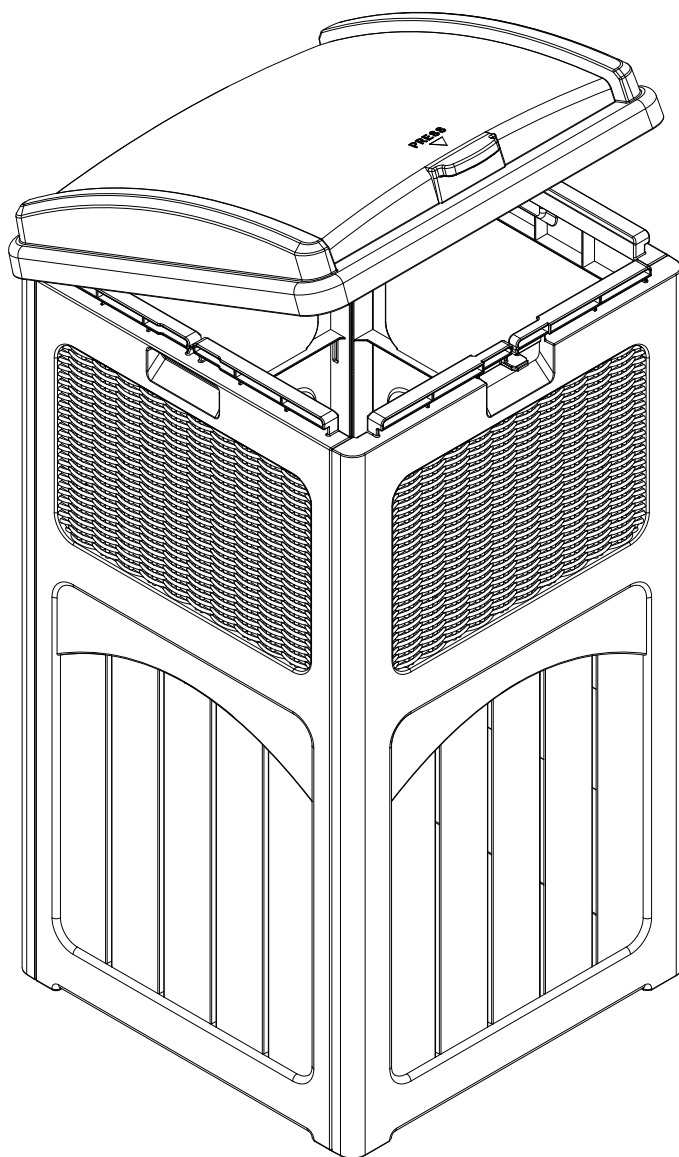


After aligning, push down and finish.



Assembly steps

Step 6



Assembly steps

Step 7

