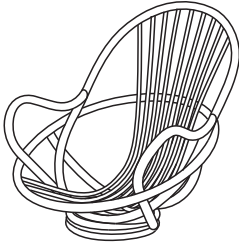
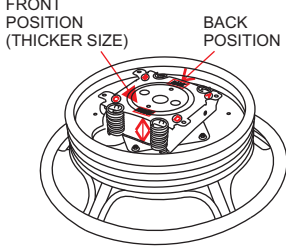
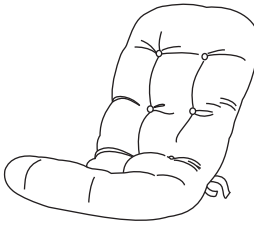






ASSEMBLY INSTRUCTIONS

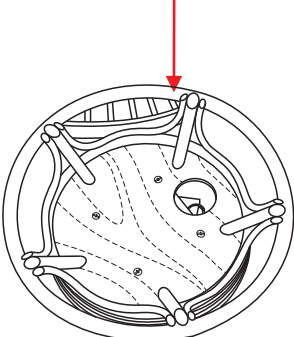
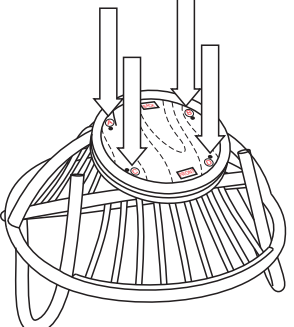
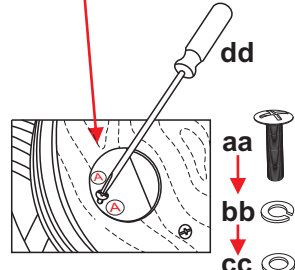
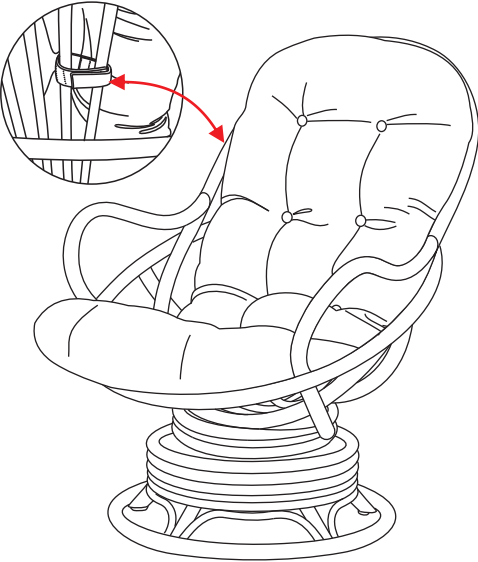
1. PARTS LIST

<p>a. UPPER CHAIR - 1 PC</p> 	<p>b. SWIVEL ROCKER BASE- 1 PC</p> 	<p>c. CUSHION - 1 PC</p> 
---	---	---

2. HARDWARE LIST

<p>aa. M6 BOLTS - 4 PCS</p> 	<p>bb. SPRING WASHER - 4 PCS</p> 	<p>cc. FLAT WASHER - 4 PCS</p> 	<p>dd. SCREW DRIVER - NOT PROVIDED</p> 
--	---	---	---

3. ASSEMBLY STEPS

<p>3A. Align the FRONT & BACK positions of Swivel Rocker Hardware (b) & bottom of Upper Chair (a).</p>  	<p>3B. Through the 4" hole underneath the Swivel Rocker Base (b), align the first hole (A) of Swivel Rocker Hardware to the hole (A) of bottom Upper Chair (a), and use (dd) Screw Driver (not provided) to tighten hardware (aa) M6 Bolt, (bb) Spring Washer, (cc) Flat Washer.</p> 	<p>3D. After Assembly, stand the Rattan Swivel Rocker Chair right up, and put the Cushion (c) on, and then tighten all the Velcros on the back of the Cushion to the Rattan Swivel Frame.</p>  <p style="text-align: center;">FINISH</p>
<p>3C. Rotate the Swivel Rocker Base (b), to align the next matching holes (B, C & D) of Swivel Rocker Hardware and bottom Upper Chair (a) and tighten all the (aa) M6 Bolts, (bb) Spring Washers and (cc) Flat Washers.</p> 