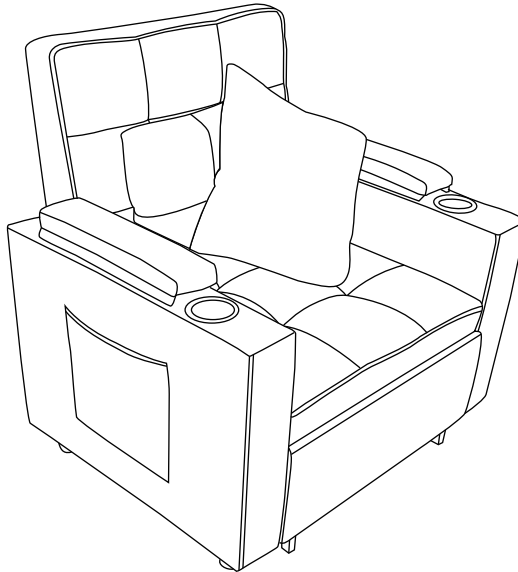


Assembly Instructions

READ THIS MANUAL

Do not use this product until you read and understand the instructions in this manual.

KEEP THIS MANUAL FOR FUTURE REFERENCE.



This manual is intended for installation and use. The pattern should correspond to the product you received.

SAFETY INFORMATION

SAFETY WARNINGS

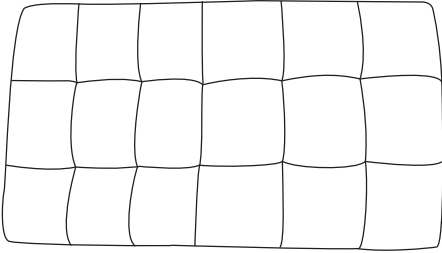
- Follow the information on the warnings appearing on this manual.
- Do not allow children under 3 years of age to use the product.
- Do not use substitute parts. Contact the manufacturer for replacement parts.

USE, MAINTENANCE & ASSEMBLY

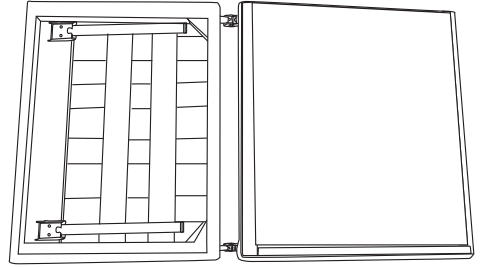
- Periodically check and ensure that the components are in their proper position, free from damage, and that all connectors are tight.
- Use on level surfaces only. Assemble on a soft level surface to avoid damage to unit or floor.
- Do not use this item if any components are missing or damaged.
- Only clean using damp cloth and mild detergent, do not use bleach or abrasive cleaners.
- Check you have all components and tools listed on this manual.
- Do not stand or put weight on this product during assembly, this could cause damage.
- Remove all hardware from the plastic bags and separate them into groups.
- Assemble the item as close to its final position (in the same room) as possible.
- Certain assembly steps may be easier with 2 people.
- Dispose of all packaging carefully and responsibly.
- We do not recommend power screwdrivers. Only use hand screwdrivers to prevent damage to unit.
- Keep these instructions for future reference.

PARTS AND ACCESSORIES

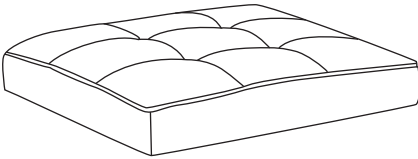
Please check and ensure all the things are in the package. Please feel free to contact us if something is not included. We will reply within 24 hours and try our best to solve it.



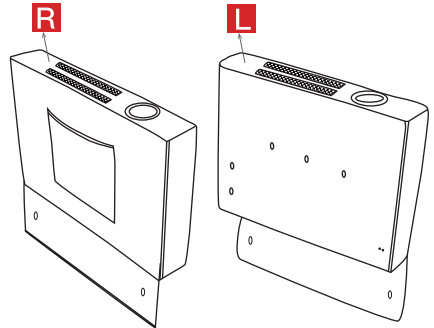
A Vacuum-packed Sofa Bed Cover *1pc



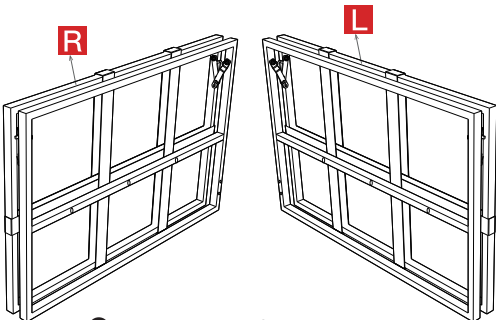
B Sofa Bed Frame *1pc



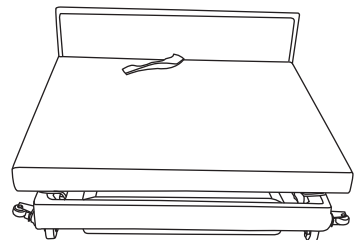
C Footrest Cover *1pc



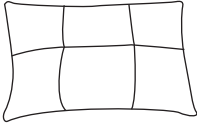
D Outer Armrest Cover R & L *2pcs



E Iron Frame R & L *4pcs



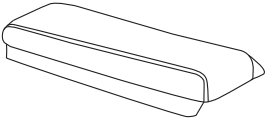
F Footrest Frame *4pcs



G Pillow *1pc



H Rear Bracket *1pc



I Armrest Cover *2pcs



J Pad *4pcs



K Cup Holder *2pcs



M Screw M6*10 *4pcs



N Screw M6*80 *6pcs



O Screw M6*45 *6pcs



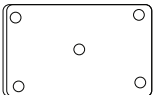
P Washer *6pcs



Q Screw M6*16 *16pcs



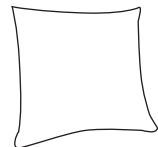
R Plastic Pipe *2pcs



S Corner Brace *4pcs



T Wrench *1pc



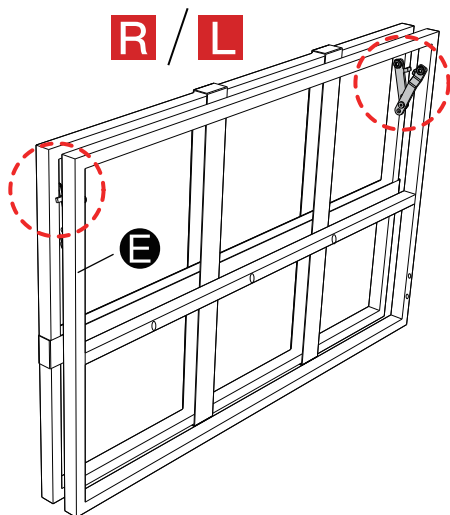
U Lumbar Pillow *1pc

ASSEMBLY INSTRUCTIONS

CAUTION: At least two adults are required to safely assemble this recliner chair.



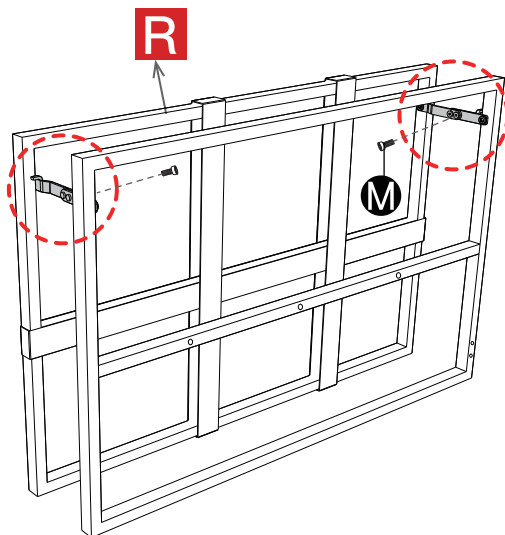
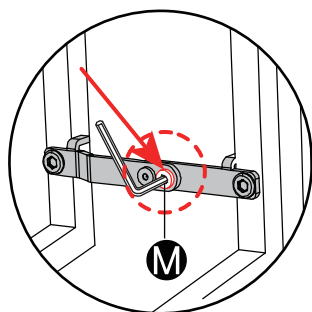
Other lifting attempts may risk back safety due to large and heavy part(s).

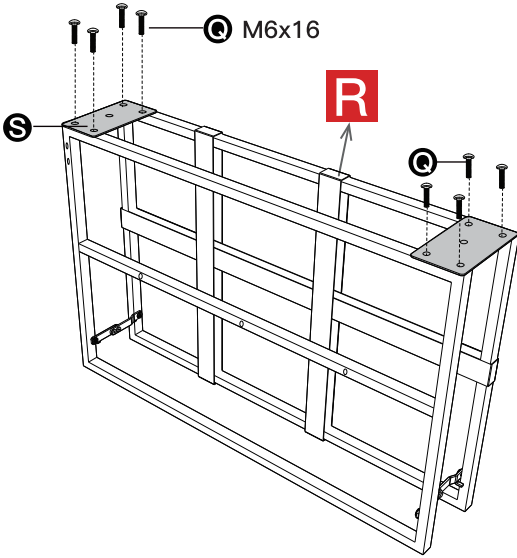


1. Carefully unpack and place parts on a clean flat surface.

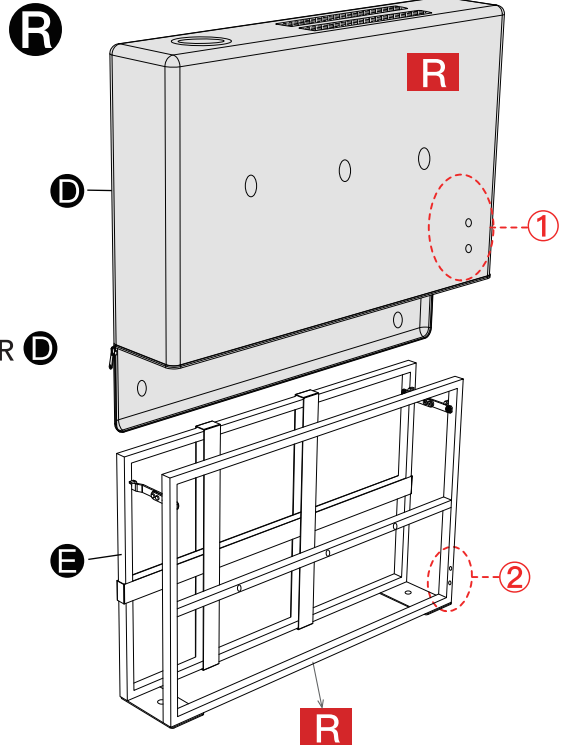
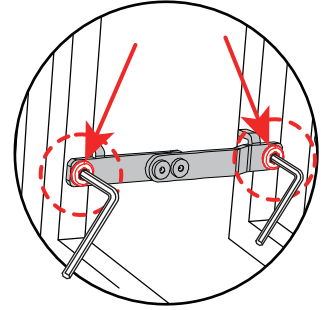
2. Untie the iron frame R & L.

3. Expand the iron frame R **E**, secure the iron frame with the screw **M**.



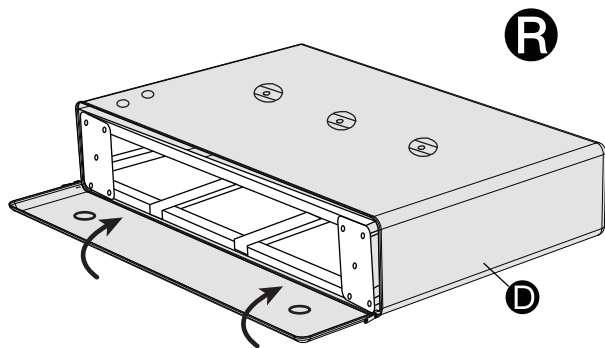


4. Flip the iron frames R E and then attach corner braces S to the iron frame R E with screws C as shown. Tighten all the pre-installed screws completely.

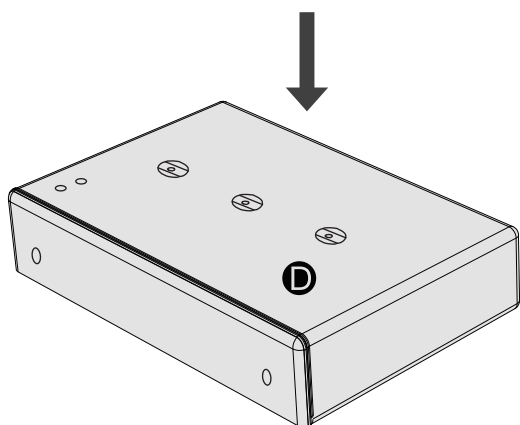
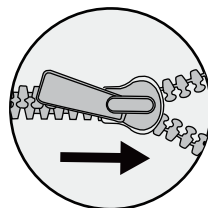


5. Cover the outer armrest cover R D on the iron frame R E.

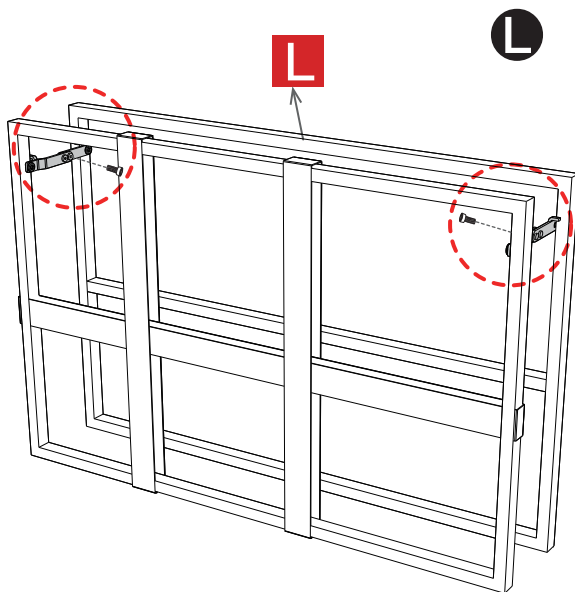
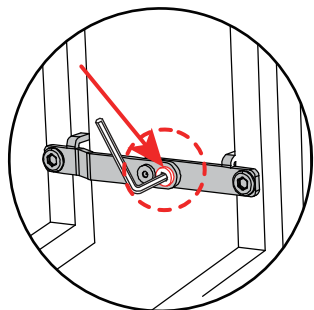
* NOTE: Align the screw hole ① of R D with the screw hole ② of iron frame R E.

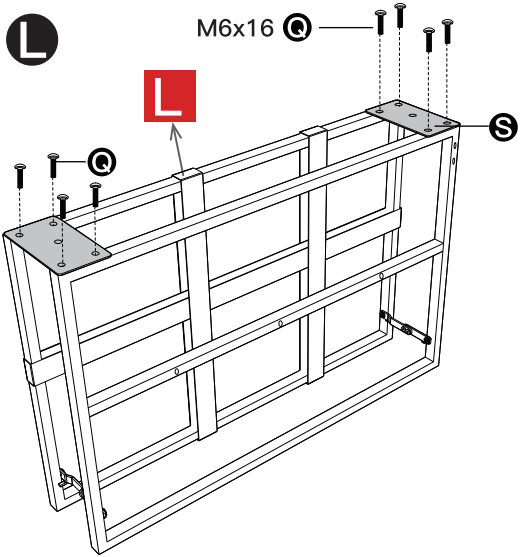


6. Zip the outer armrest cover R **D**.

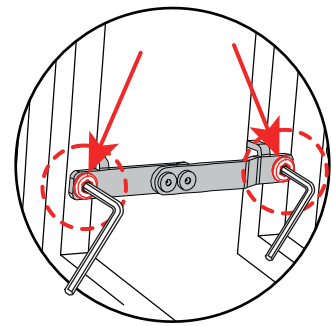


7. Secure the iron frame L **E** with the screw **M**.



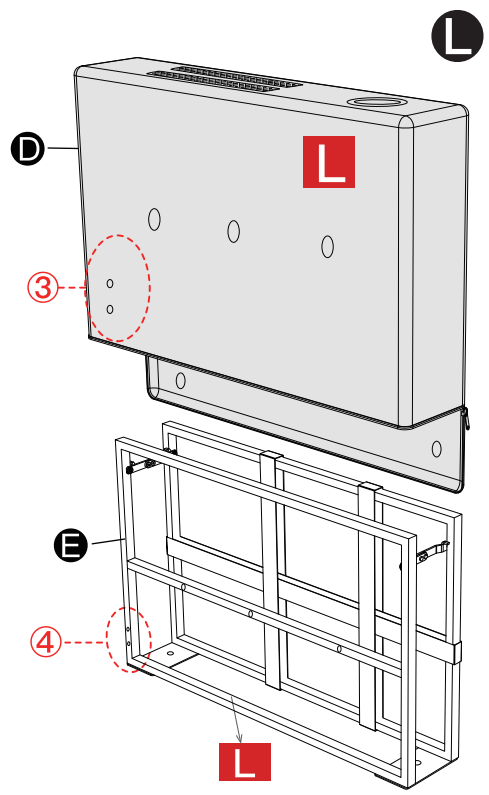


8. Flip the iron frames L E and then attach corner braces S to the iron frame L E with screws C as shown. Tighten all the pre-installed screws completely.

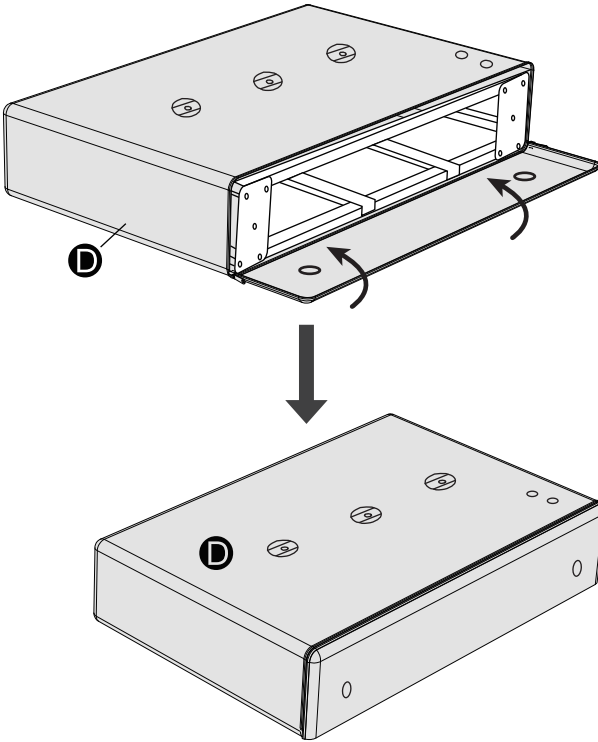


9. Cover the outer armrest cover D on the iron frame L E.

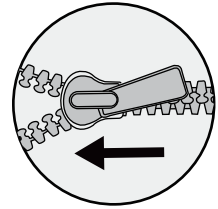
* NOTE: Align the screw hole 3 of L D with the screw hole 4 of iron frame L E.



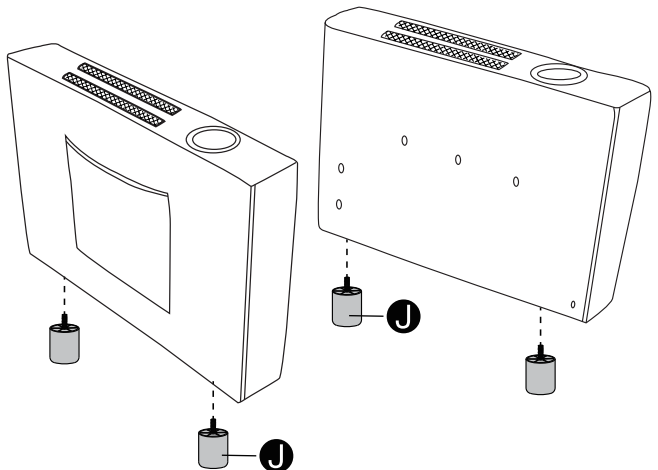
L



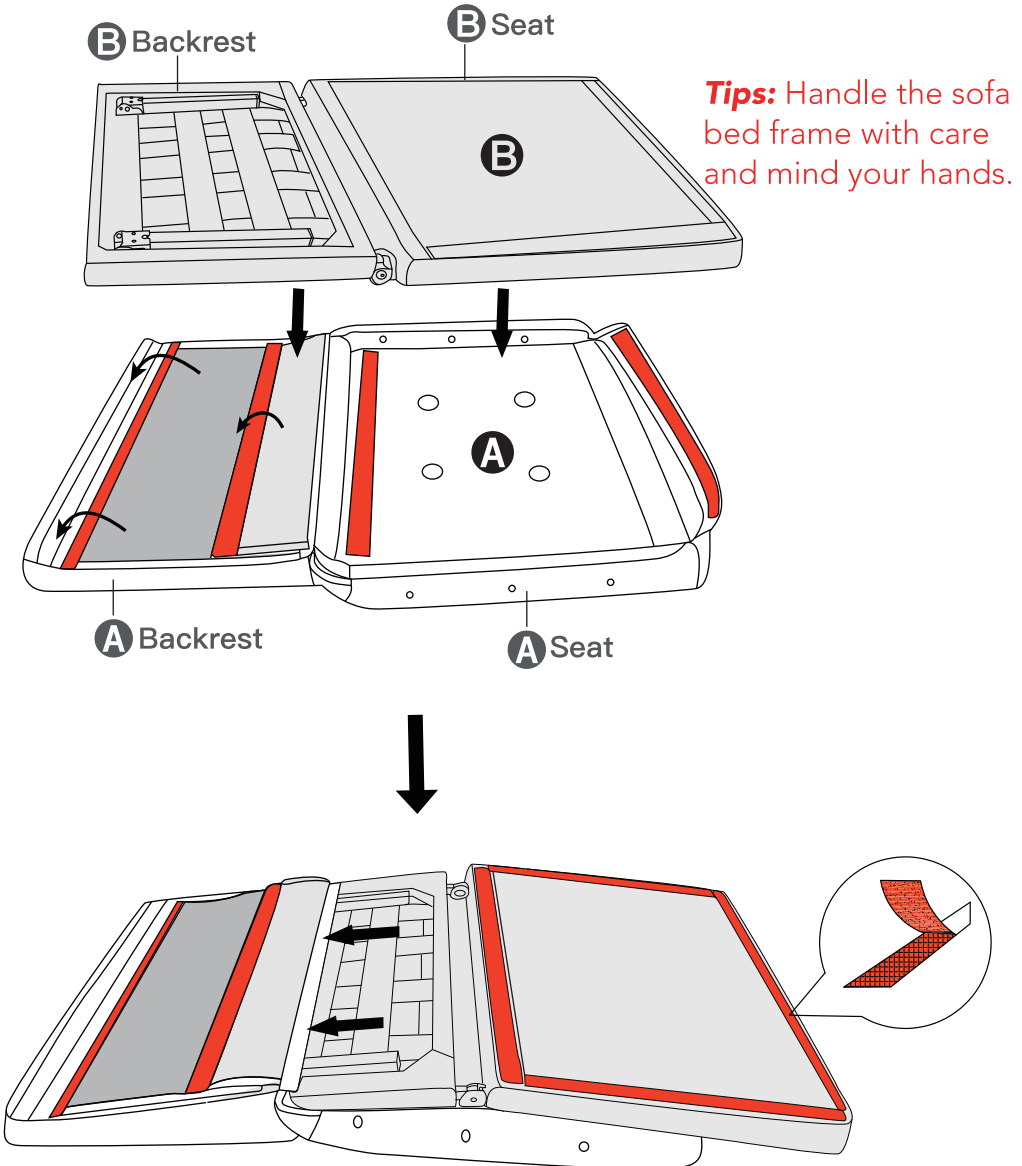
10. Zip the outer armrest cover L **D**.



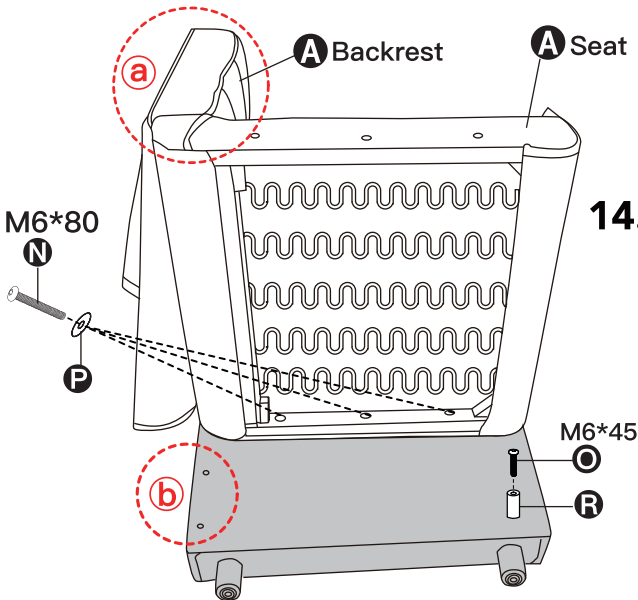
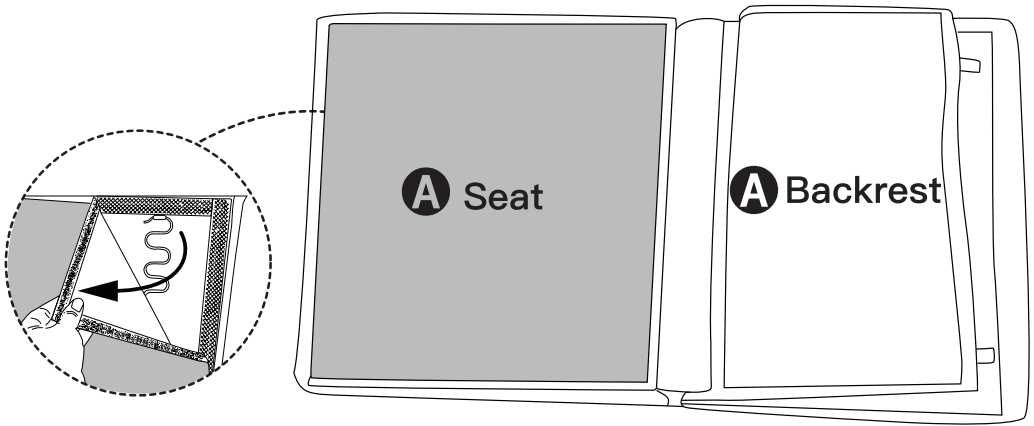
11. Install the pads on the armrests as shown.



12. Pick up the sofa bed frame and the sofa bed cover, align them as shown. Stick the Velcro from the sofa bed cover to the sofa bed frame.



13. Remove the velcro of the sofa bed seat.

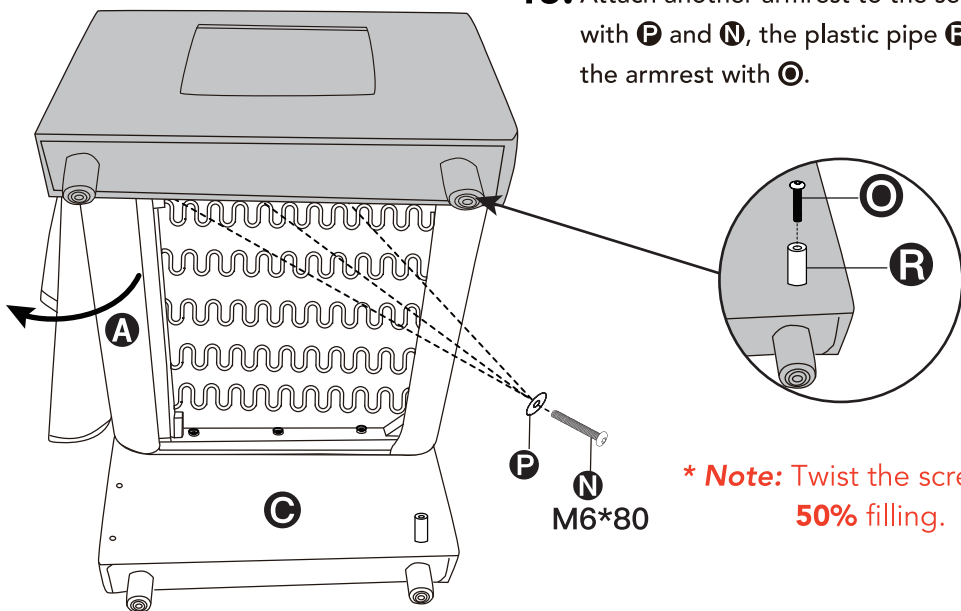


14. Attach the seat **A** to the armrest with **P** and **N**, and the plastic pipe **R** to the armrest with **O**.

* **TIPS:** Fold the backrest **A** for easier installation as shown.

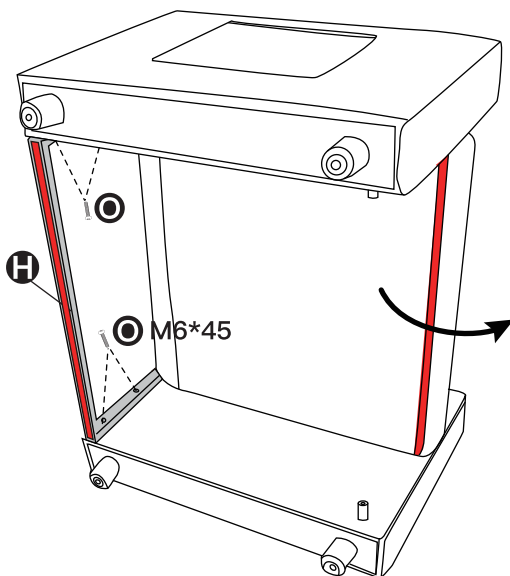
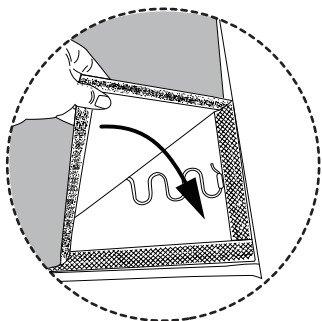
* **Note:** Place the area **a** and area **b** on the same side for installation.

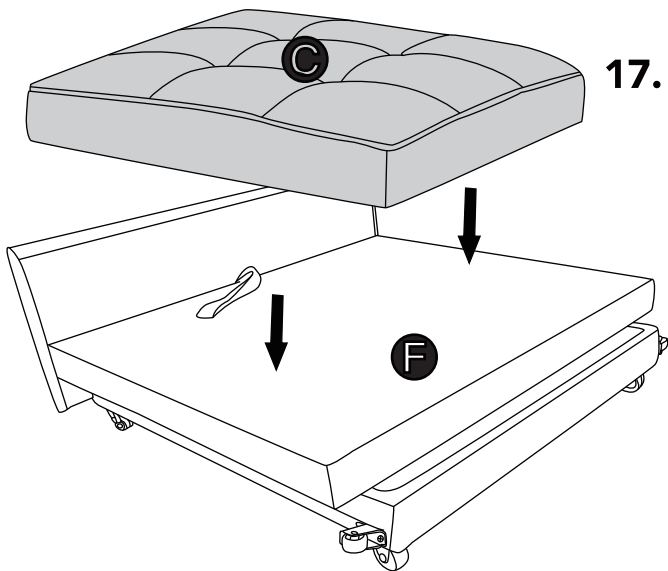
- 15.** Attach another armrest to the seat **A** with **P** and **N**, the plastic pipe **R** to the armrest with **O**.



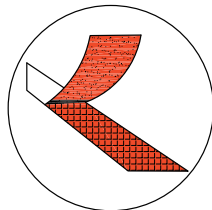
- 16.** Stick the velcro of the seat **A**, and then install the rear bracket on the armrests with **O**.

*** Note:** Tighten all the screws completely.

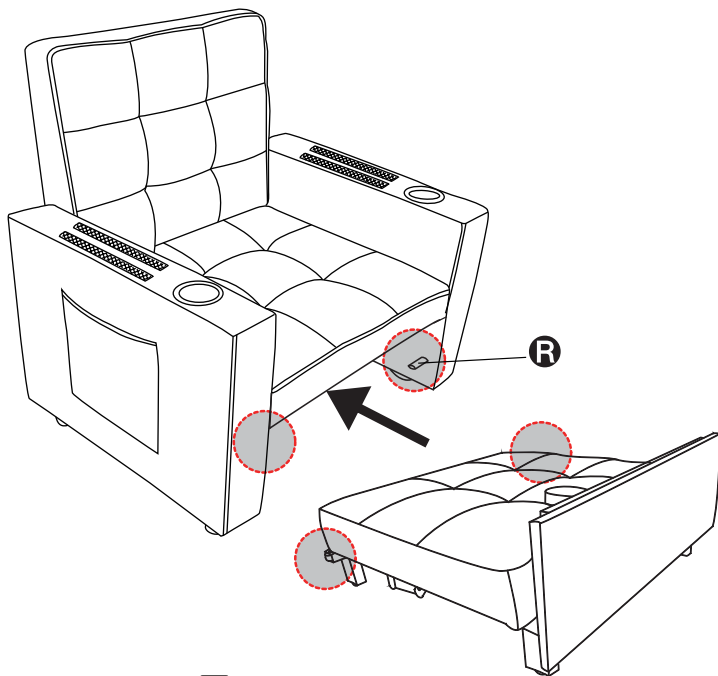


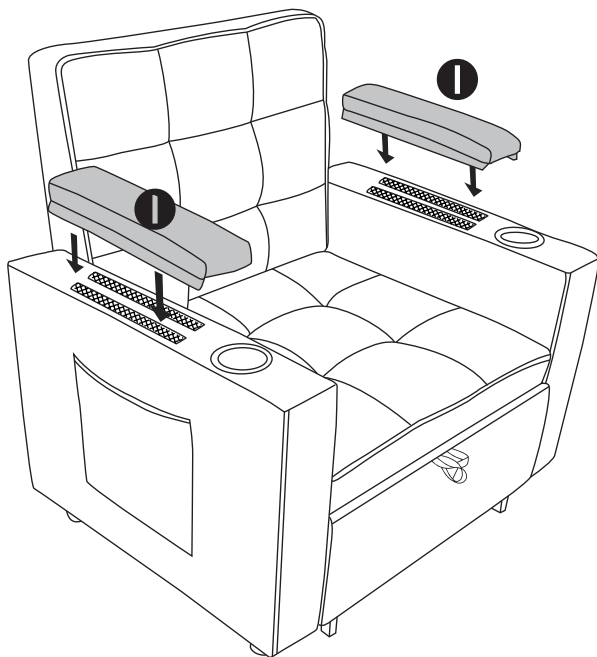


17. Stick the velcro of the footrest cover **C** onto the footrest frame **F**.

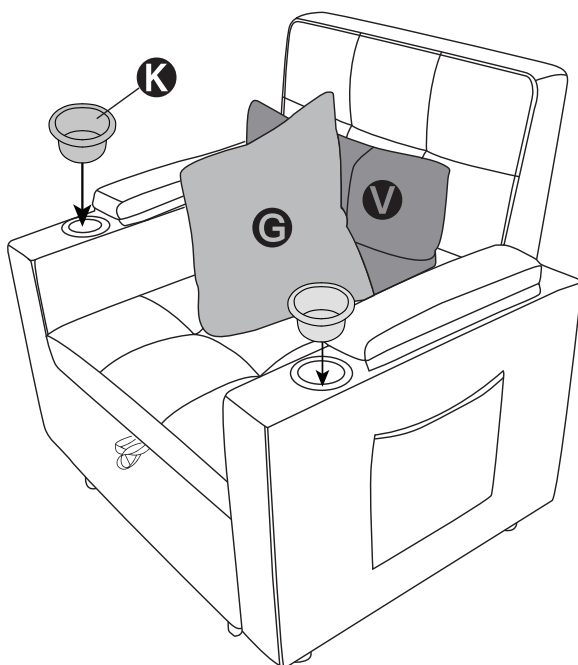


18. Attach the casters on the armrests to the plastic pipes **R** and then push the footrest to the seat bottom.



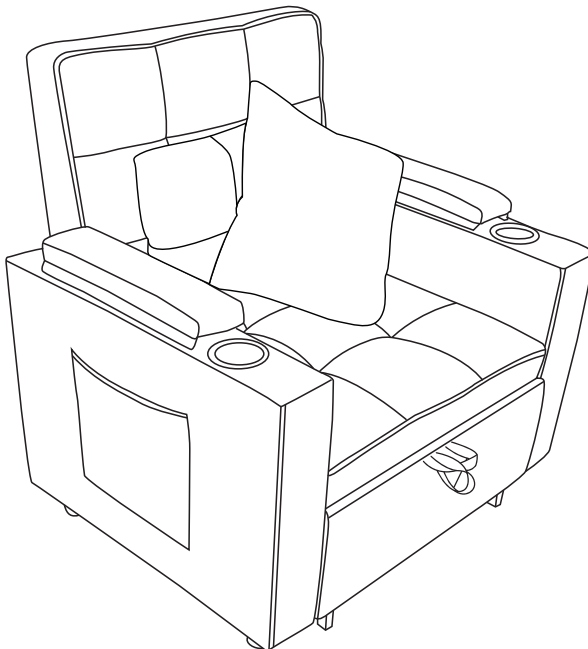
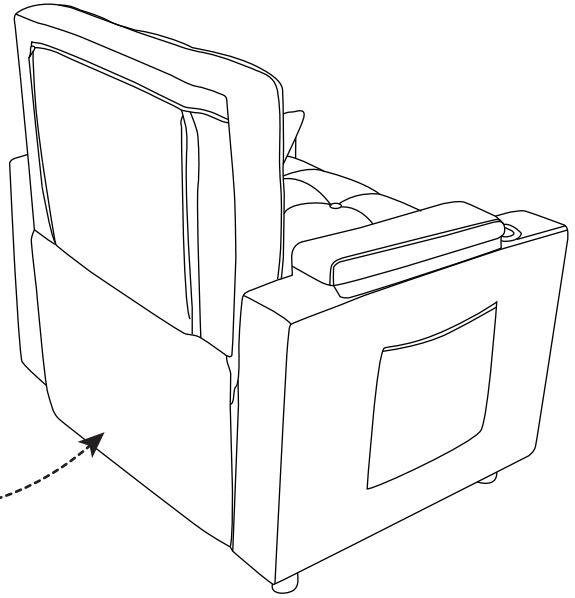
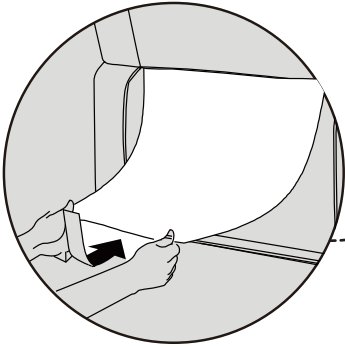


19. Install the armrest covers on the armrests as shown.



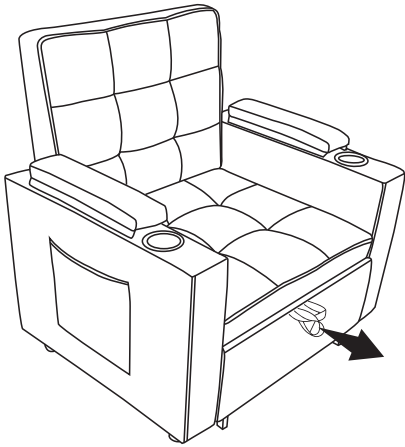
20. Attach the lumbar pillow, the pillow and the cup holders.

21. Cover the back fabric.



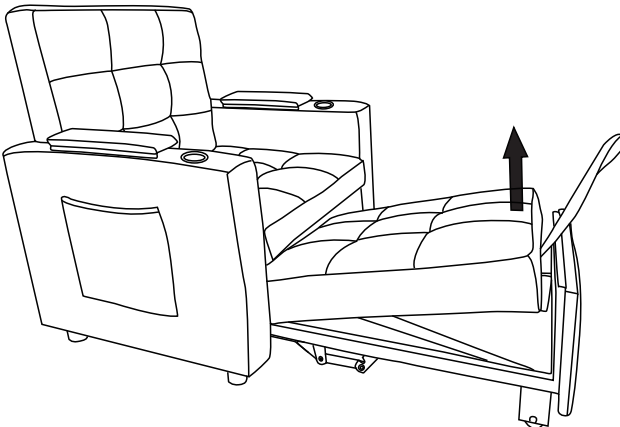
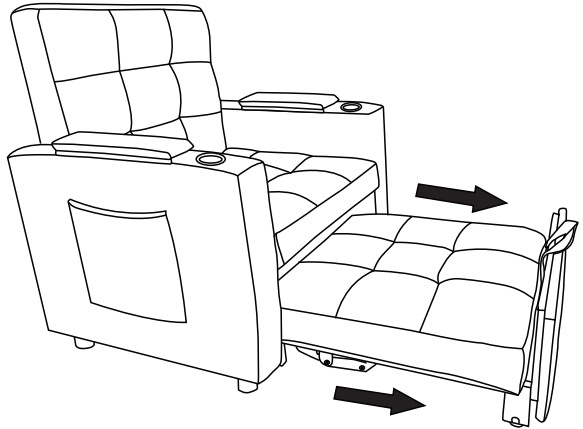
22. Assembly is complete.

FOOTREST OPERATION



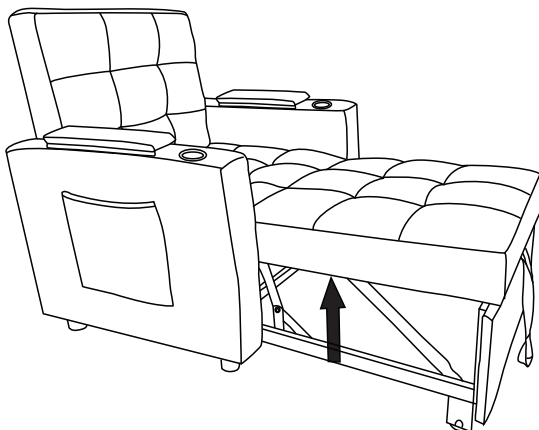
1. Pull out the handle of the footrest.

2. Pull out the footrest.

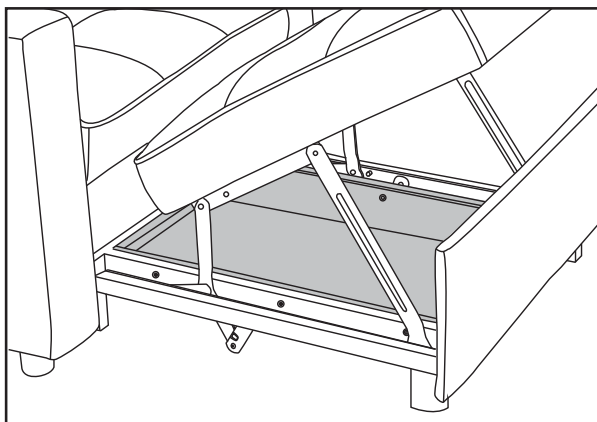


3. Raise the footrest.

4. Fix the footrest.



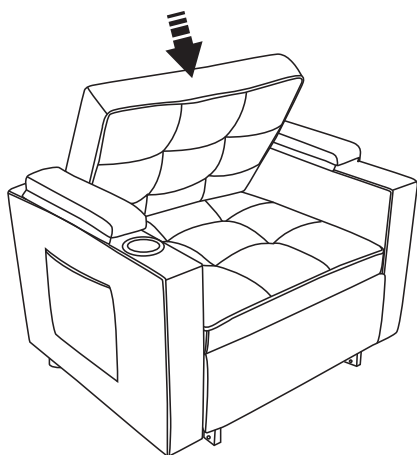
FOOTREST USAGE



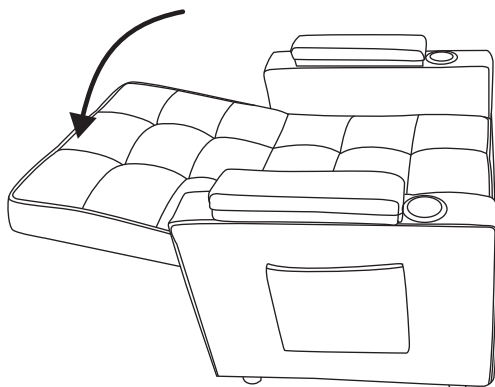
The bottom of the footrest can store some things (The things height should not exceed 10cm) .

The maximum load is 5KG.

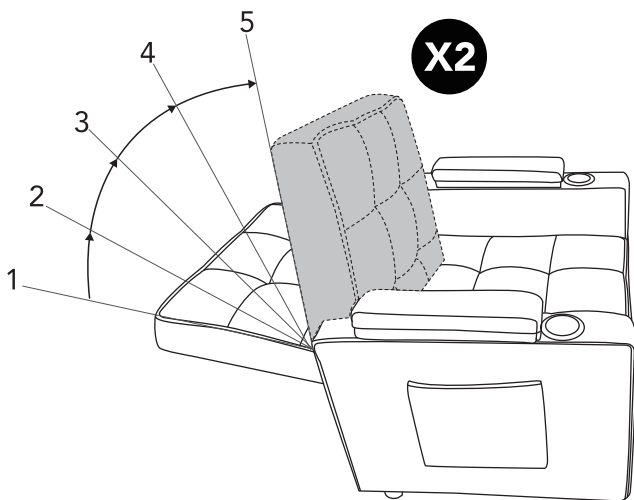
BACKREST OPERATION



1. Push down the backrest.

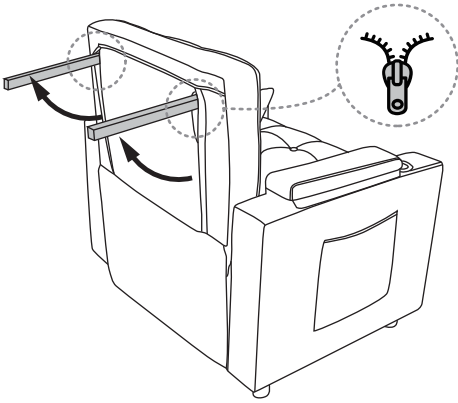


2. Lay the backrest down to a 180 degree position.



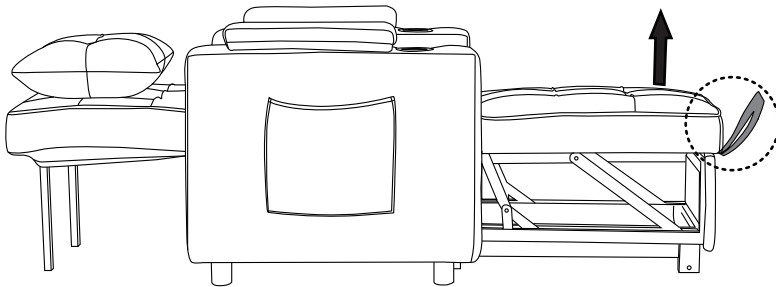
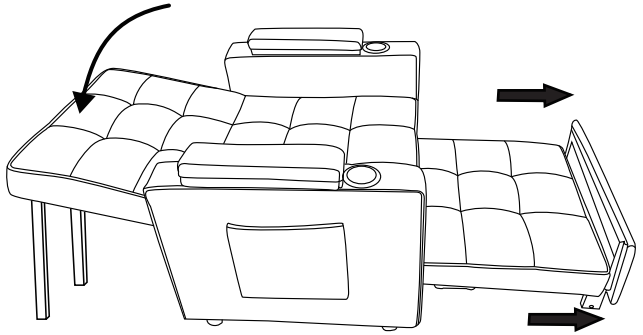
3. Lift the backrest up, and when **hearing 2 clicking sounds on both sides**, the backrest is completely fixed in position. The backrest can be adjusted in 5 gears.

CHAIR TO BED OPERATION



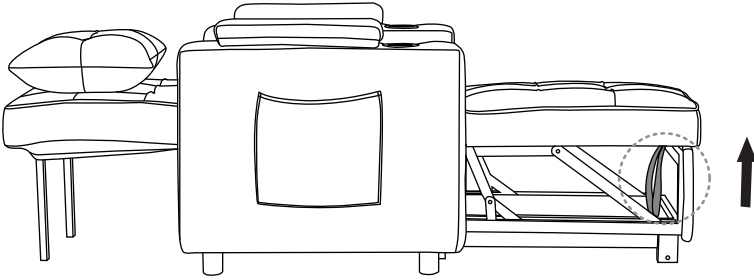
1. Unzip the backrest and expand the iron frames.

2. Lay down the backrest to 180 degrees and pull out the footrest.



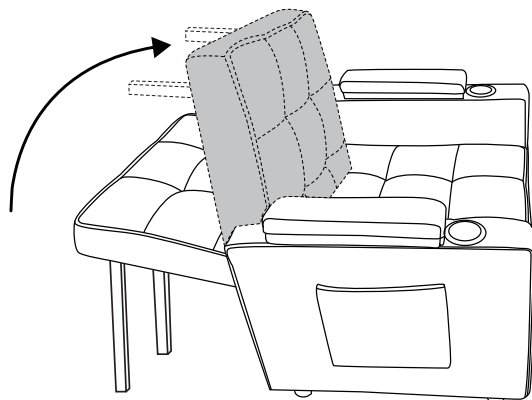
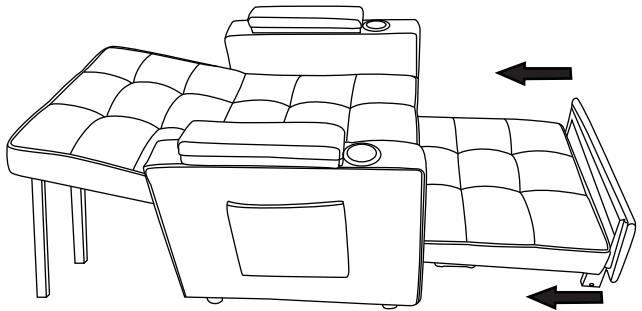
3. Raise and secure the footrest. Now take a break.

FOLD OPERATION

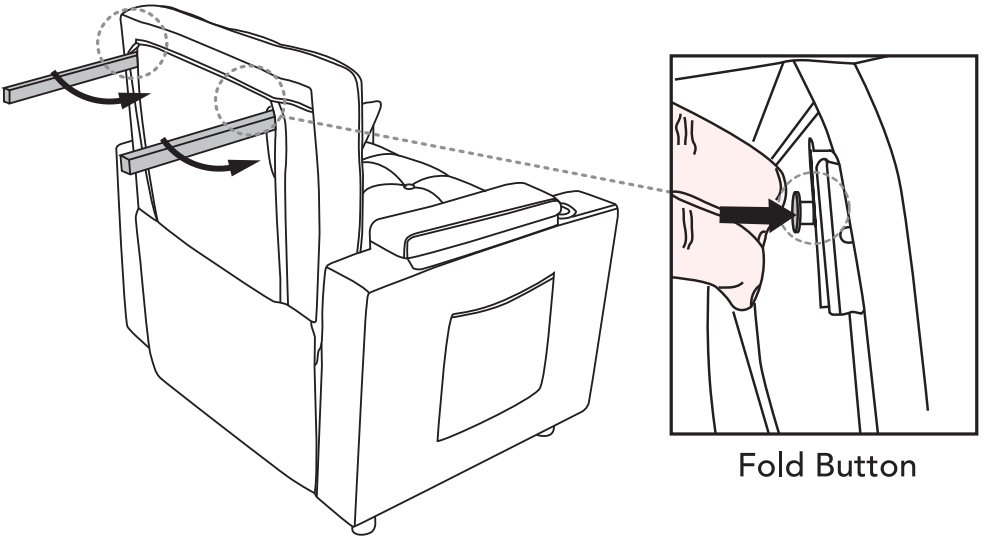


1. Pull up the handle of the footrest to lower the height of the footrest.

2. Push back the footrest to the seat bottom.

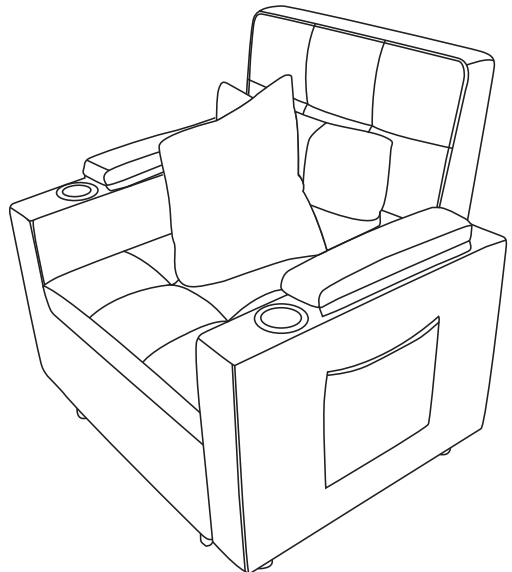


3. Push back the backrest to 90 degrees.



4. Press the button at the bottom of the iron frame in the backrest to retract the iron frame as shown.

5. The sofa bed is restored to its initial position.



IMPORTANT SAFETY INSTRUCTIONS

– When using this product, please take special notice of the following basic precautions: Read all instructions before using.

⚠ DANGER

To reduce the risk of electric shock:

- *Always unplug this appliance from the electrical outlet immediately after using and before cleaning.*

⚠ WARNING

To reduce the risk of burns, fire, electric shock, or injury to people:

- The product should never be left unattended when plugged in. Unplug from outlet when not in use, and before putting on or taking off parts.
- Do not operate under blanket or pillow. Excessive heating can cause fire, electric, shock, or injury to people.
- Never operate the product if it has a damaged cord or plug, if it is not working properly, if it has been dropped or damaged, or dropped into water. Return the product to a service center for examination and repair.
- Use the product only for its intended use as described in this manual. Do not use attachments not recommended by the manufacture.
- Close supervision is necessary when the product is used by, on, or near children, invalids, or disabled people.
- Do not carry the product by supply cord or use cord as a handle.
- Keep the supply cord away from heated surfaces.
- Do not operate the product with the air openings blocked. Keep the air openings free of lint, hair, and other similar items.

- Never drop or insert any object into any openings of the product.
- Do not use it outdoors.
- Do not operate where aerosol (spray) products are being used or where oxygen is being administered.
- To disconnect, remove the plug from the electrical outlet.
- Keep children away from extended foot support (or other similar parts).
- Connect this appliance to a properly grounded outlet only.