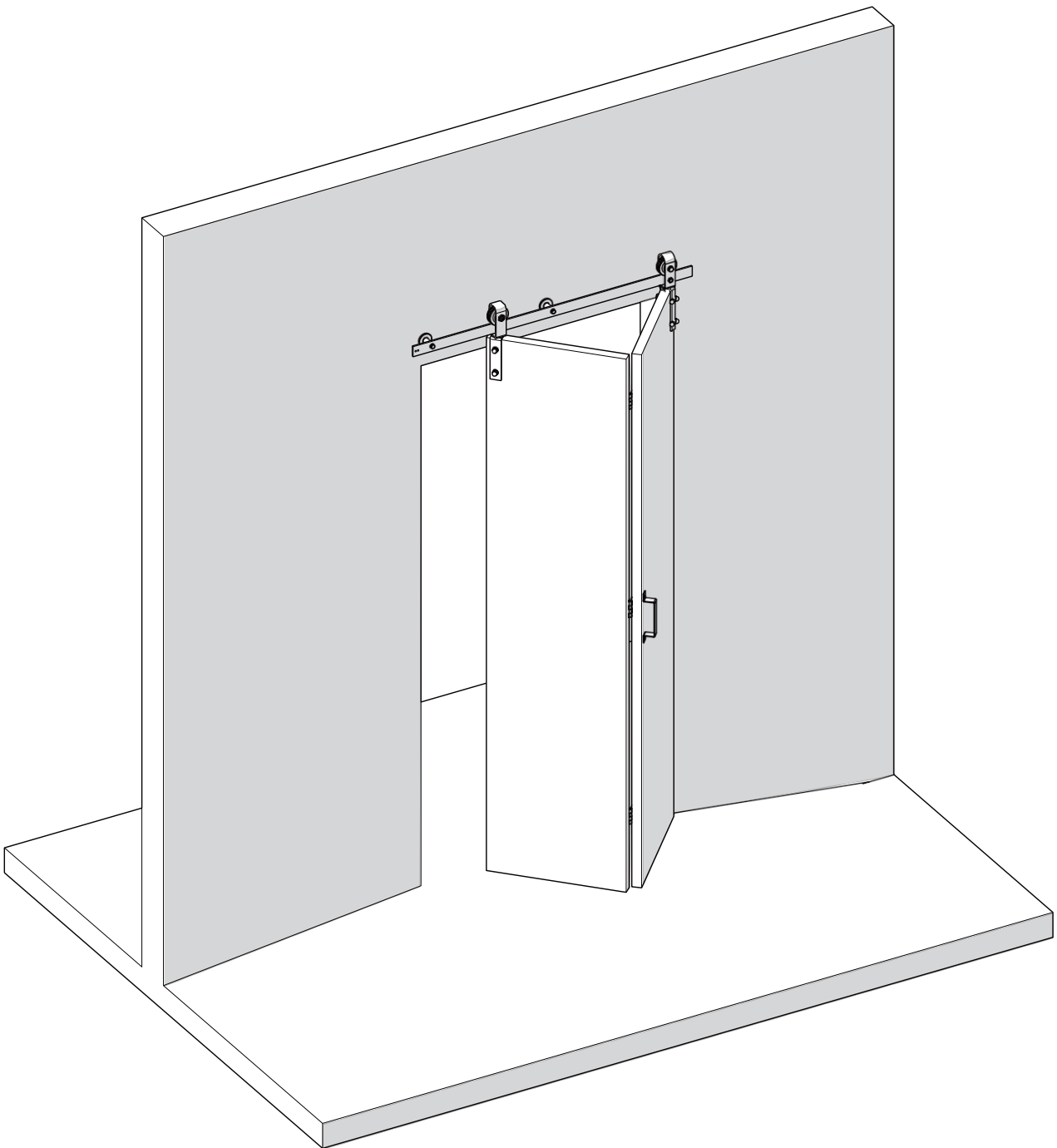
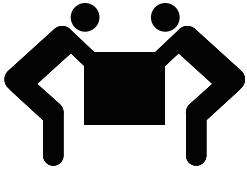


INTERIOR DOOR ASSEMBLY GUIDE





WARNING

Some steps are more easily handled with two adults.



CAUTION

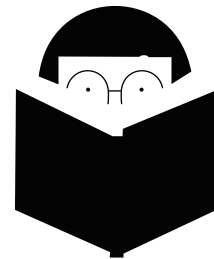
Before assembly and/or installation, carefully unwrap all parts. Locate and set aside the hardware kit before discarding packaging. Use care when assembling your new product. Take your time and follow assembly instructions closely.



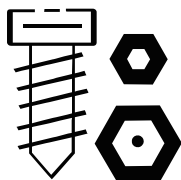
If you have any questions below, please feel free to contact us. We will respond within 24 hours.



ANY DAMAGE



**READ INSTRUCTIONS
CAREFULLY**



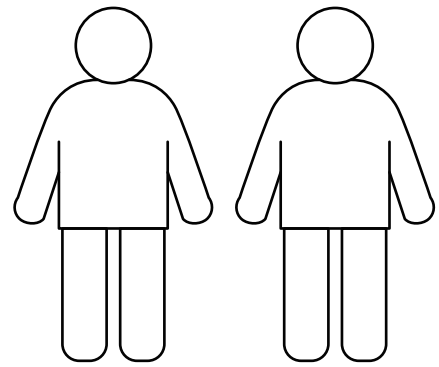
MISS SOME PARTS



OTHER QUESTIONS



20 min



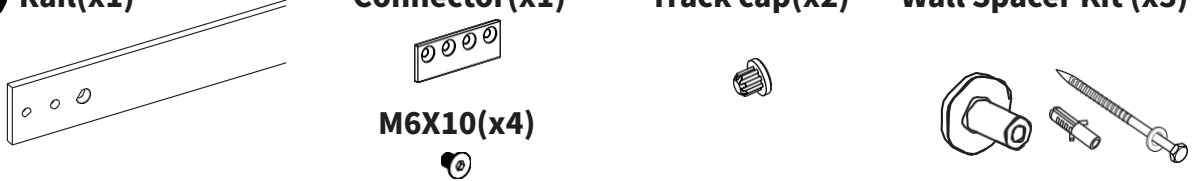
Two People Required

Please retain these instructions for future reference.

- * Wear Safety Goggles.
- * Confirm all parts are present prior to assembly.
- * Assemble on a flat, clean, and soft surface.
- * Professional installation is highly recommend.
- * Two or more people are needed to complete the installation.
- * Do not stand on or use any part of this item as a step ladder.
- * Firmly secure all bolts, screws, and knobs before use.
- * Reconfirm that all bolts, screws, and knobs are secure every 90 days.
- * Fasten screws loosely during initial assembly. Do not firmly tighten the screws until the item is completely assembled.
- * Do not use or store this item in the proximity of open flame or flammable/combustible chemicals.
- * Be aware that some parts are heavy and have sharp edges.
- * If any parts are missing, broken, damaged, or worn, stop using this item until repairs are made and/or factory replacement parts are installed.
- * Do not use this item in a way inconsistent with the manufacturer's instructions as this could void the product warranty.


Hardware

1 Rail(x1) Connector(x1) Track cap(x2) Wall Spacer Kit (x3)

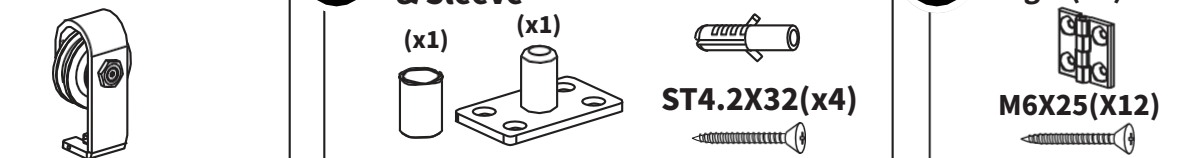


M6X10(x4)

2 Anti-collision strip(x1) **3** Fixed Roller(x1) M5x26(x1) Fixed Roller Lock Bracket(x1) (x2)

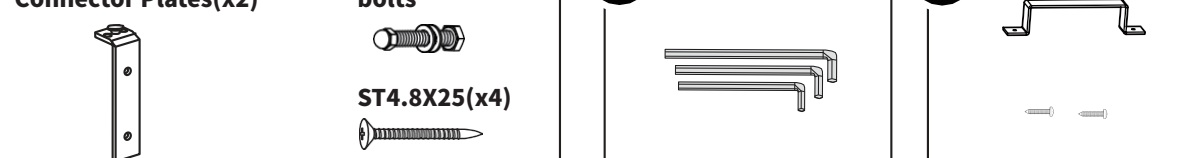


4 Adjustable Roller(x1) **5** Bottom Pivot Plate & Sleeve $\Phi 8(x4)$ **6** Bi-Fold Door Butt Hinges(x3)



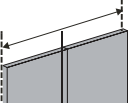
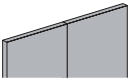
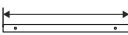
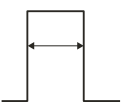
(x1) (x1) ST4.2X32(x4) M6X25(X12)

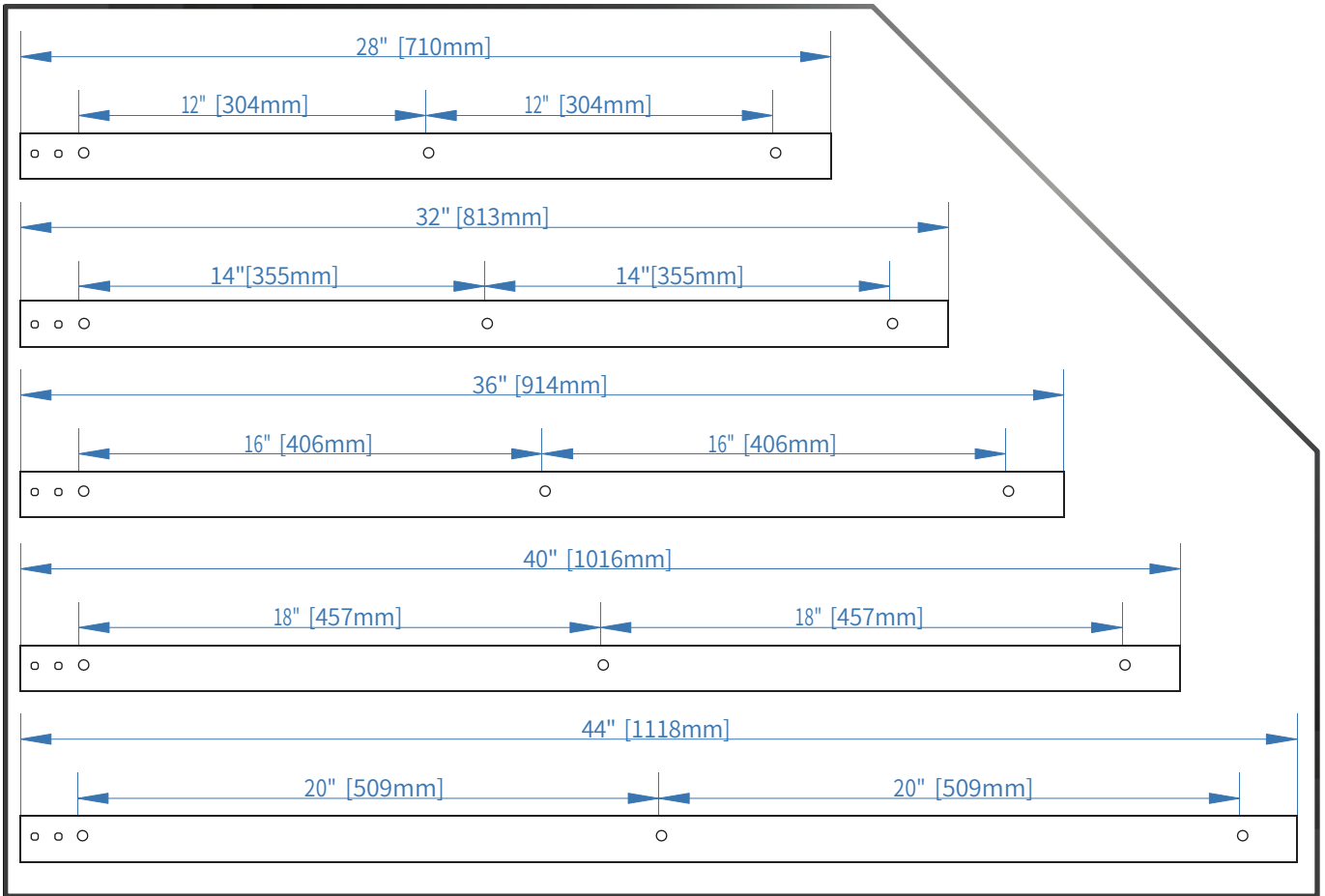
7 Front-Mount Top Connector Plates(x2) M10x55 (x4) bolts **8** Hex Key(x3) **9** Handle(x1)














ST4.8X25(x4)

Number of Parts in Different Sizes

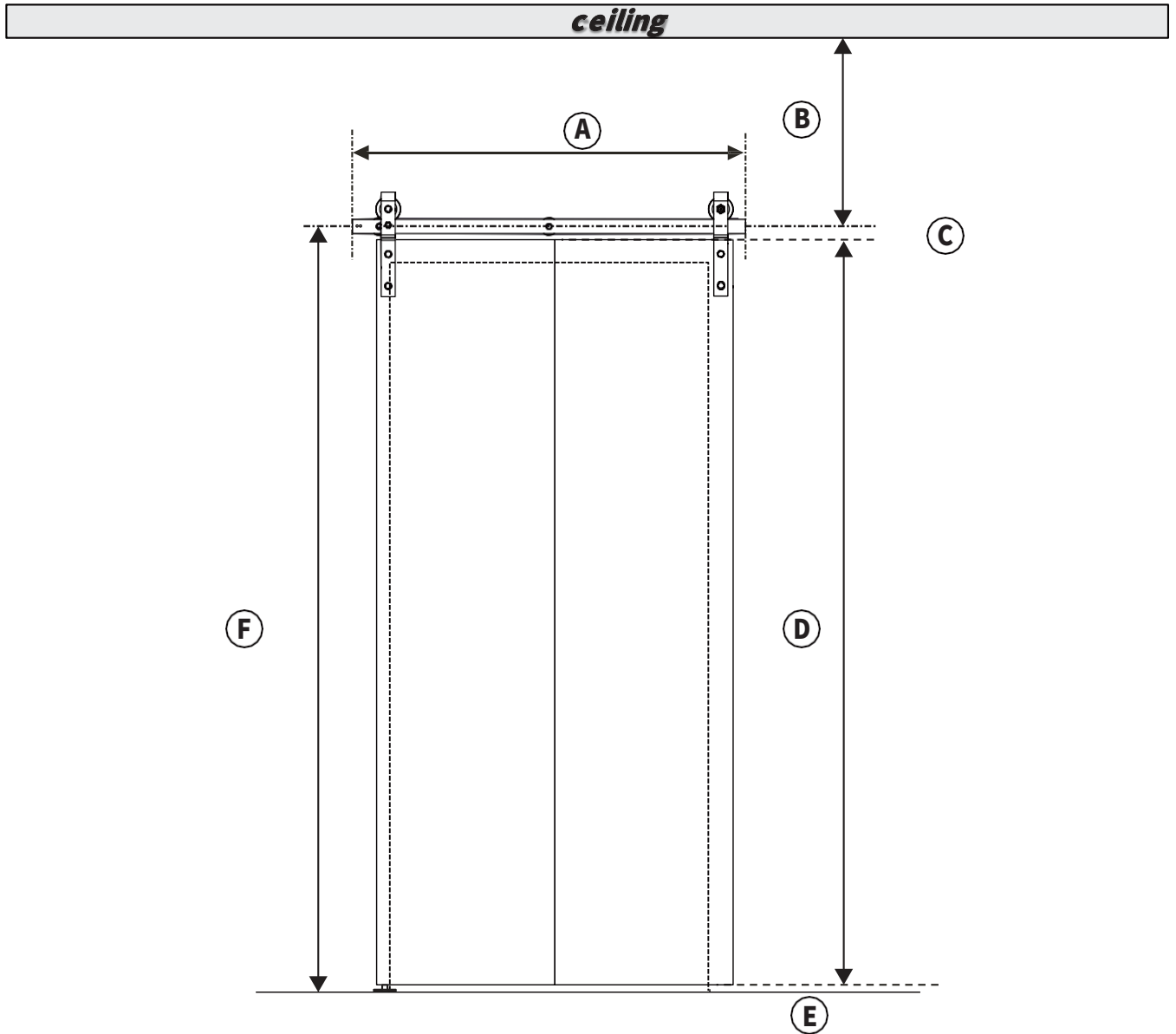
			
Single Door Width	number of doors	Track Length	door opening width = door width-2 inches
24inch	1	28inch	22inch
28inch	1	32inch	26inch
32inch	1	36inch	30inch
36inch	1	40inch	34inch
40inch	1	44inch	38inch



Tools required

			
Speed Square	Pencil	Phillips Screwdriver	Tape
			$\varnothing \frac{3}{8}$ " 
Wrench	Level	Drill	$\varnothing \frac{5}{16}$ " 
			$\varnothing \frac{7}{32}$ " 
			$\varnothing \frac{3}{8}$ " 
			Drill Bit

Measurements



- A** Overall Rail length is 28inch,32inch,36inch,40inch,44inch.
- B** Minimum Distance from the rail hole to the ceiling is 6".
- C** Distance from the top of the door to the track center hole is $1\frac{1}{16}$ ".
- D** Door height is L=84".
- E** Distance from bottom of the door to the floor is $\frac{3}{8}$ ".
- F** The height of the center line to the floor (measuring up from the floor) is $85\frac{15}{16}$ "

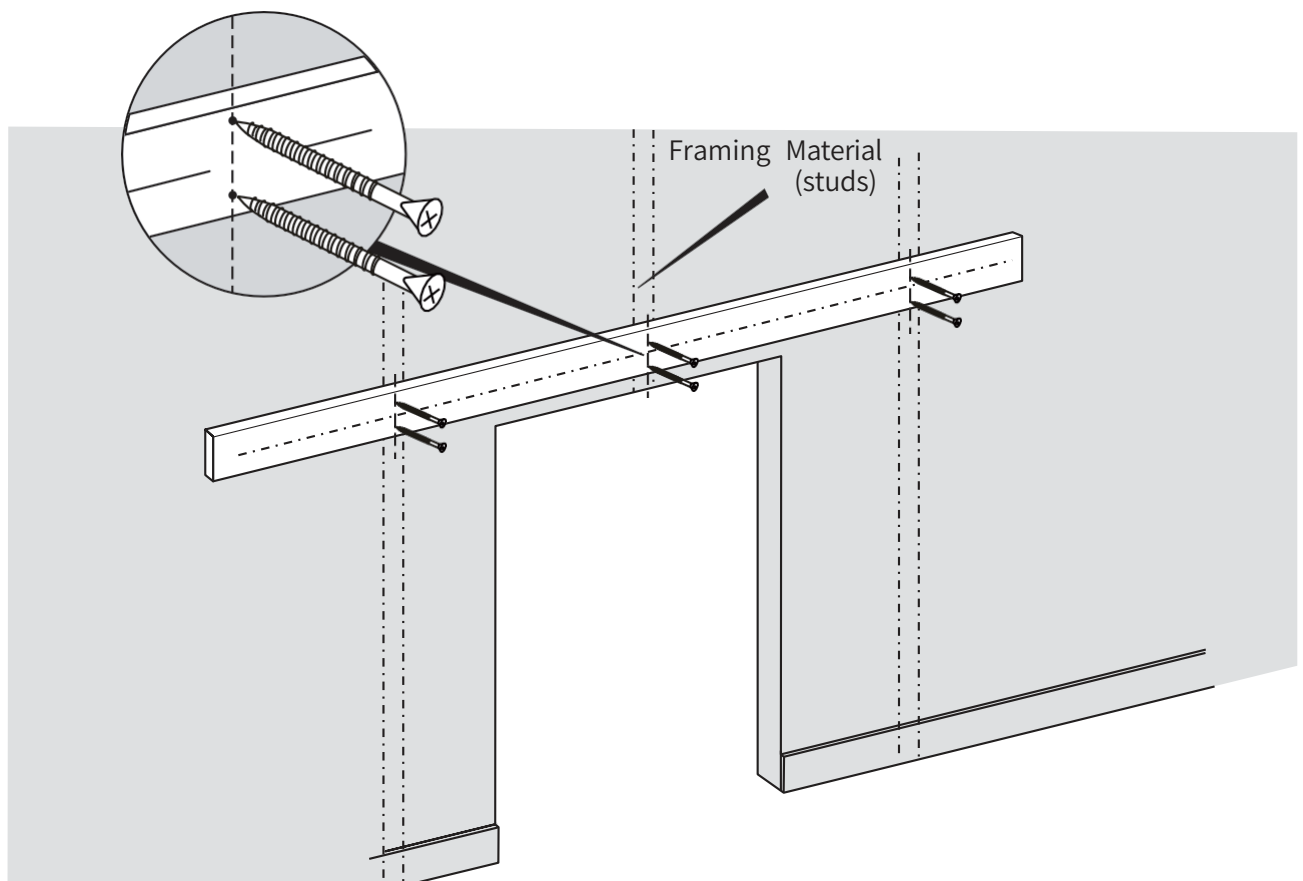
Important Notes

The following installation steps take a **44inch** track as an example. Please refer to the [Number of Parts in Different Track Sizes] for the quantity of accessories for different sizes of tracks

It is very important to determine whether you need to install a Header Board before you install the track.

If you meet following situations, we highly recommended you using a header board (These situations might include but are not limited to).

- the wall is not concrete wall, such as drywall or other type wall
- there is a doorway trim (like a door frame or a skirting line)



Header Board requirements:
1"x 4" or 1"x 6" Size
Made of solid wood
Same length as your track length or longer

Attention: Header Board & the screws to install header board are not included. You can buy them online or online.

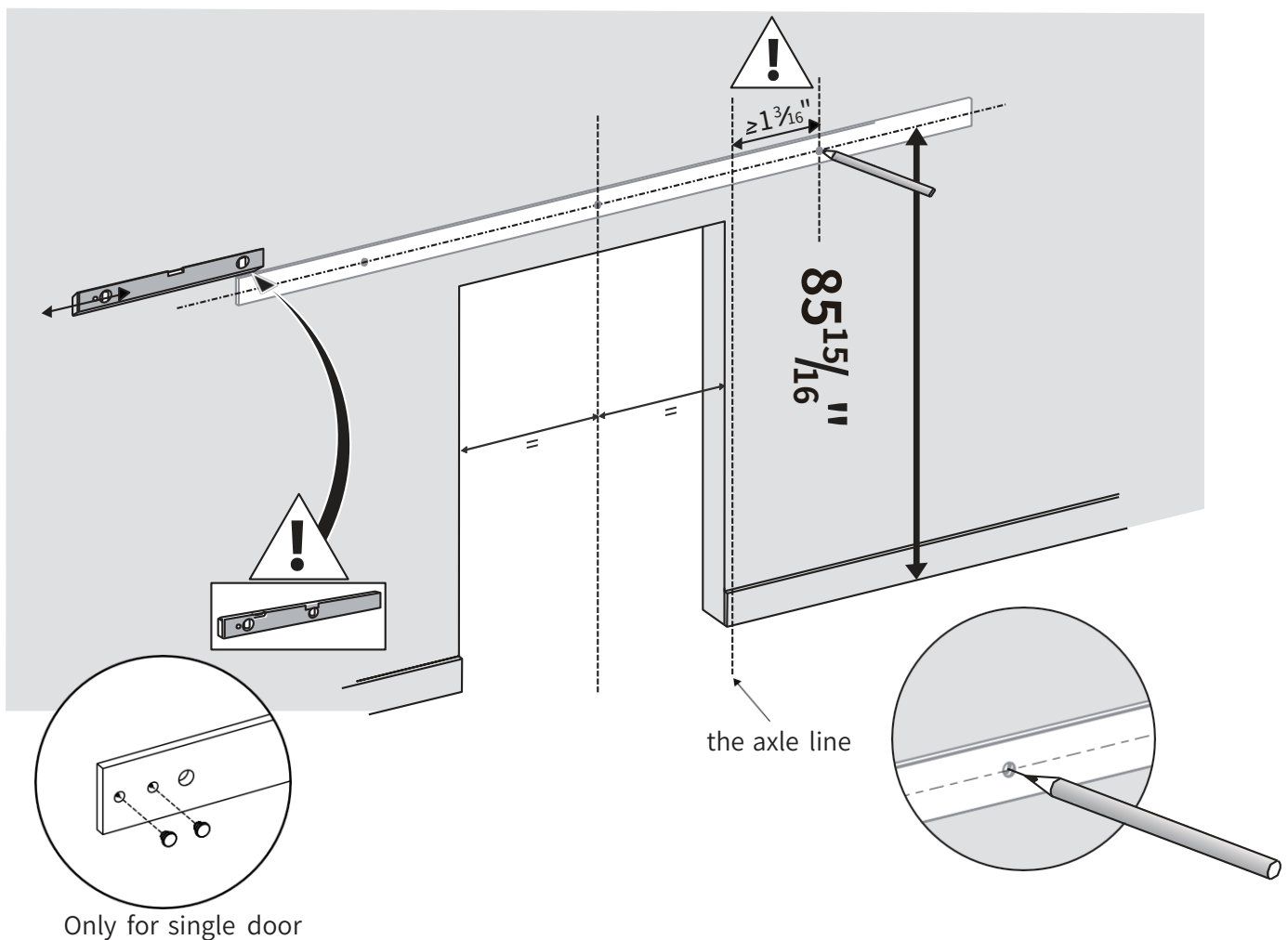
Product Assembly

Step -1(for single door)

1. Use a Level and Tape Measure to mark the center line of the track. As is shown in part in the picture above, the height of the center line to the floor (measuring up from the floor) is $85\frac{15}{16}$ ".
2. Position the track in place by the marked center line, ensuring it is level, and use the track as a template to mark mounting holes location for the track with a pencil.
3. According to the marked track position, perpendicular to the track horizontal line, mark the position of the axle line of the fixed axis with a pencil. It is necessary that the distance from the axle line to the first hole position shall more than $1\frac{3}{16}$ " to ensure that the hole positions of the axle line and the holes of rail will not interfere with each other.

See installation tip below.

Make sure that the door can cover the door opening during rotation before you mark the axle centre line.



INSTALLATION TIP:

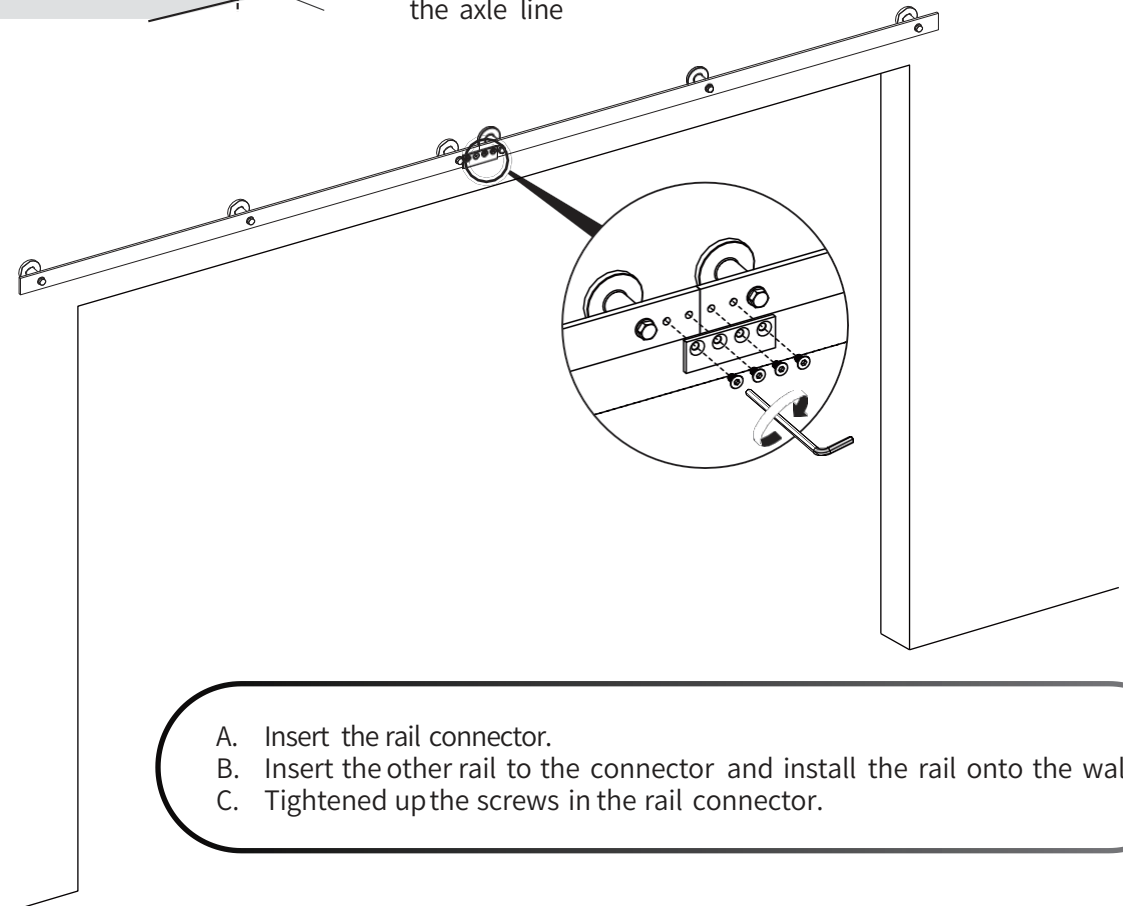
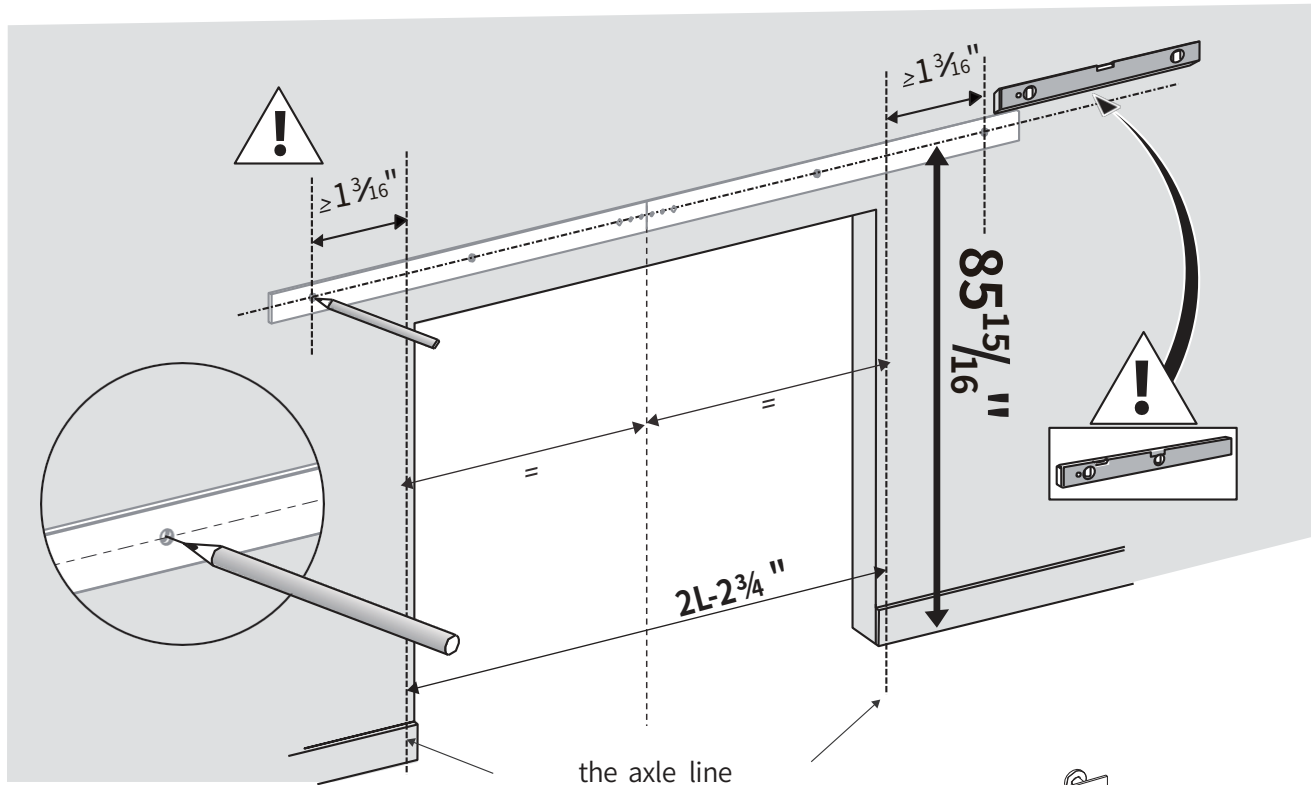
To mark the holes more conveniently, you could install track with one end bolt without spacer, which helps fix one end of the track. And then you can move the free end to ensure the track level to mark mounting holes.

Product Assembly

Step-2(for double door)

Note:It is necessary that the distance from the axle line to the first hole position shall more than $1\frac{3}{16}$ " ensure that the hole positions of the axle line and the holes of rail will not interfere with each other.

The distances between 2 axle centre line are $2L-2\frac{3}{4}$ " (L=length of single door).



Step-3

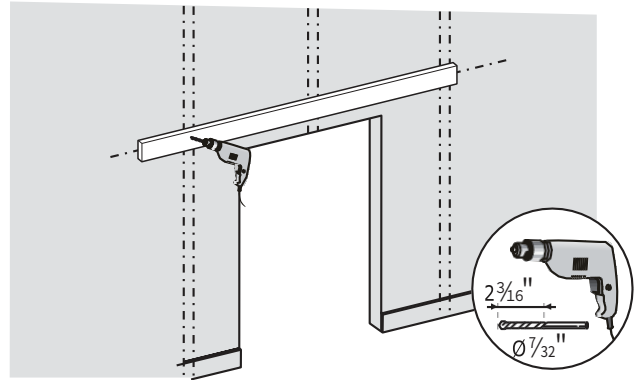
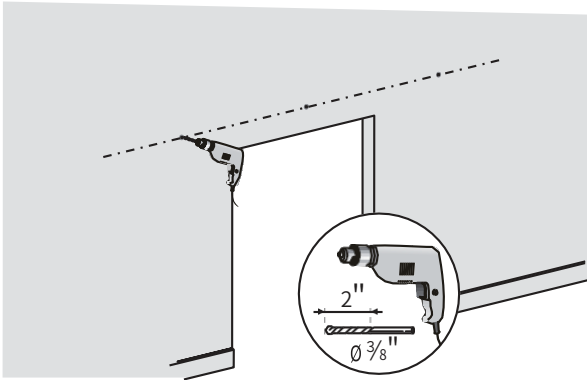
Drill the marked holes with drill bits. Notice: The hole sizes of the 2 walls are different.

A Concrete Wall

Drill the holes with $\frac{3}{8}$ " drill bit.

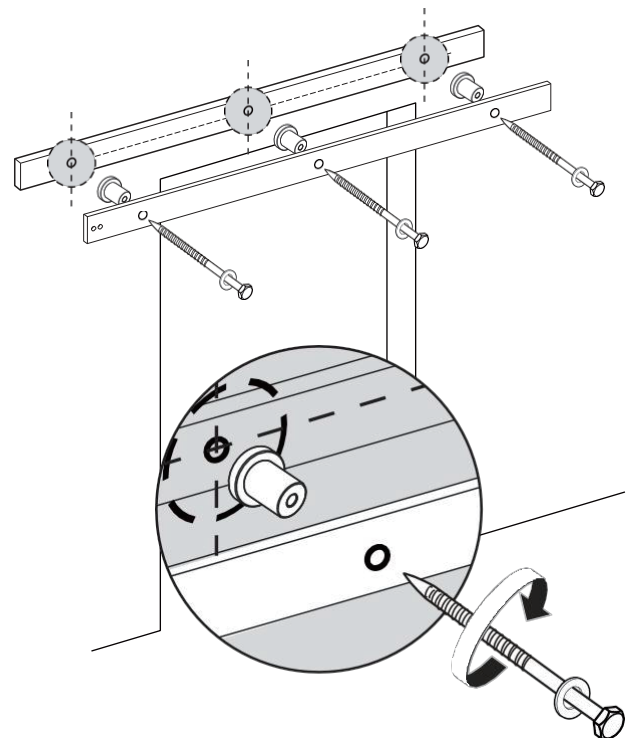
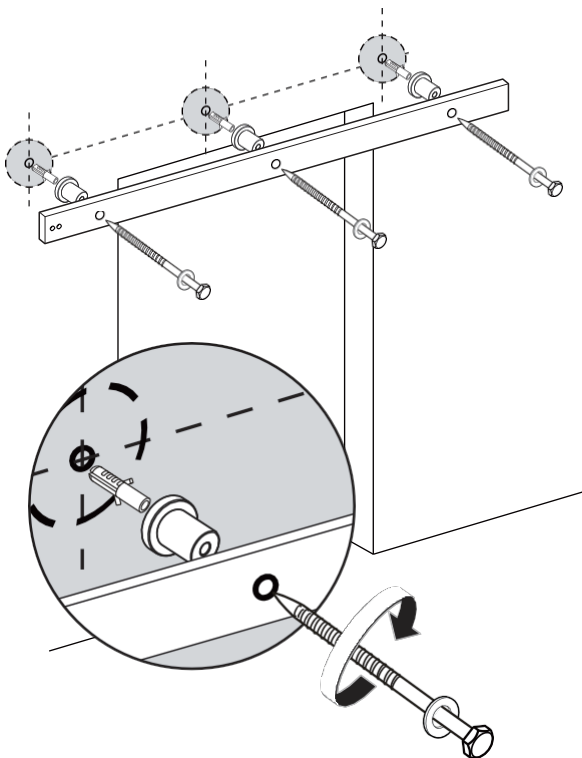
B Drywall & Other Wall Type

Drill the pilot holes directly with the drill bit which is smaller than $\frac{7}{32}$ ".



Step-4

We provide 2 kinds of screws for you to install rail onto concrete wall or drywall.



A Concrete wall Installation.

Install the anchor to holes on the concrete wall first, then insert lag bolt to wall spacer and anchor.

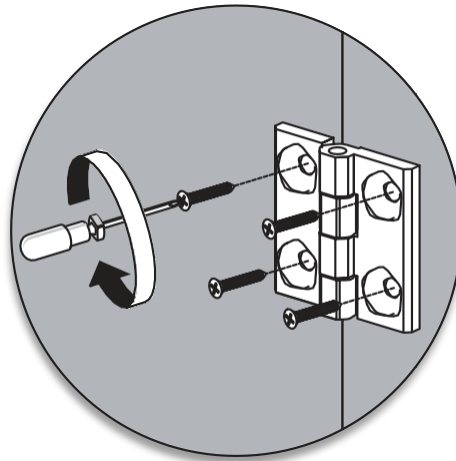
B Drywall Installation.

Insert the lag bolt to wall spacer and holes directly.

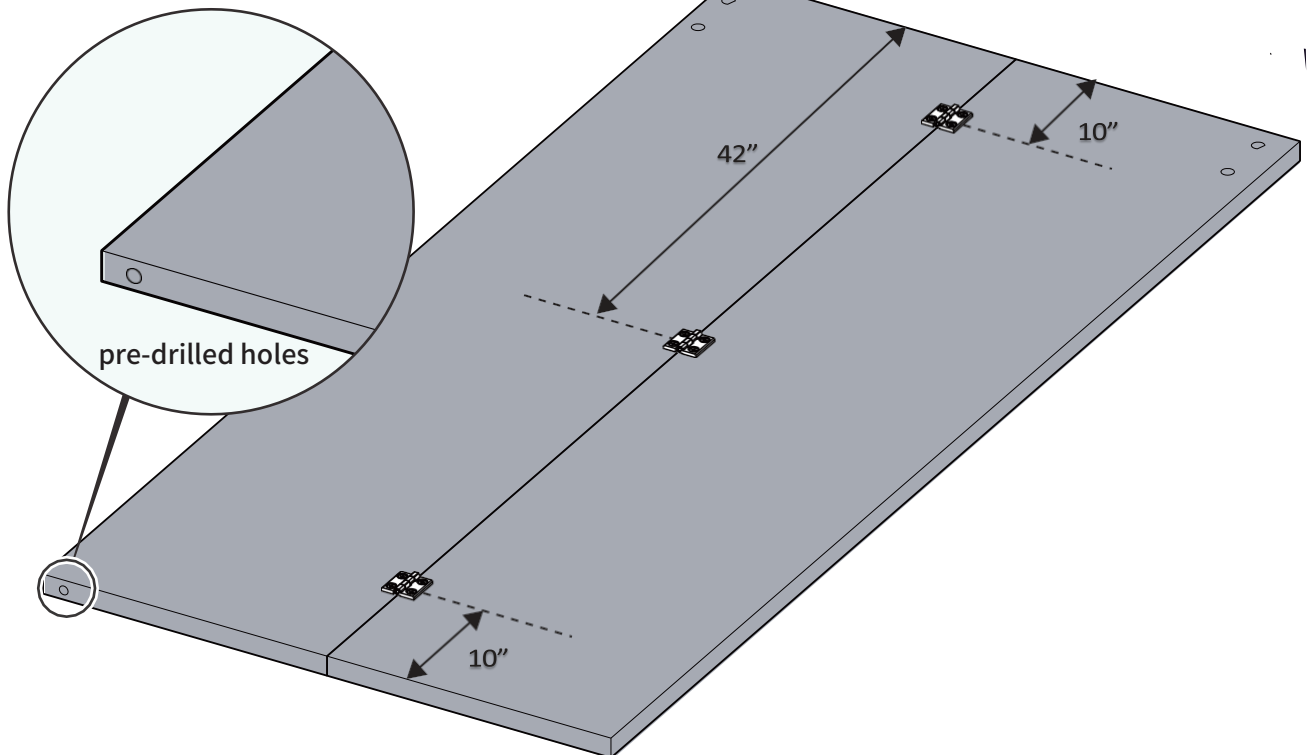
Step-5

Installing BiFold butt hinges on the back for the door.

- Lay the doors to be joined together face down on a flat surface.
- Space the hinges 10" down from the top and up from the bottom of the door. Install a hinge in the middle of the door.
- Align the hinge knuckle parallel and directly over the joint between the two panels.
- Secure the hinges to the door with the supplied flathead screws.

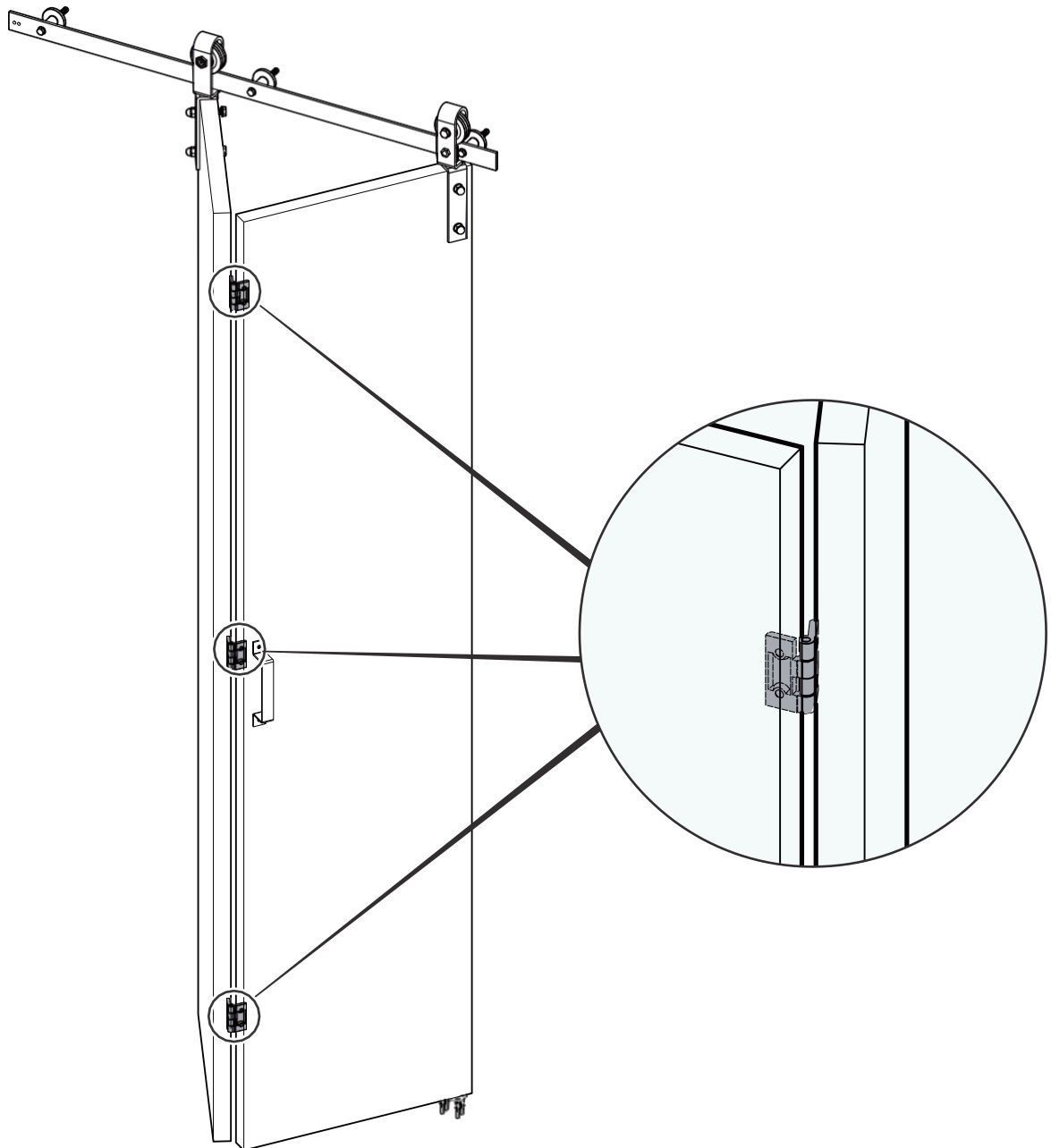


for bottom pivot is on the left
bottom of the door.



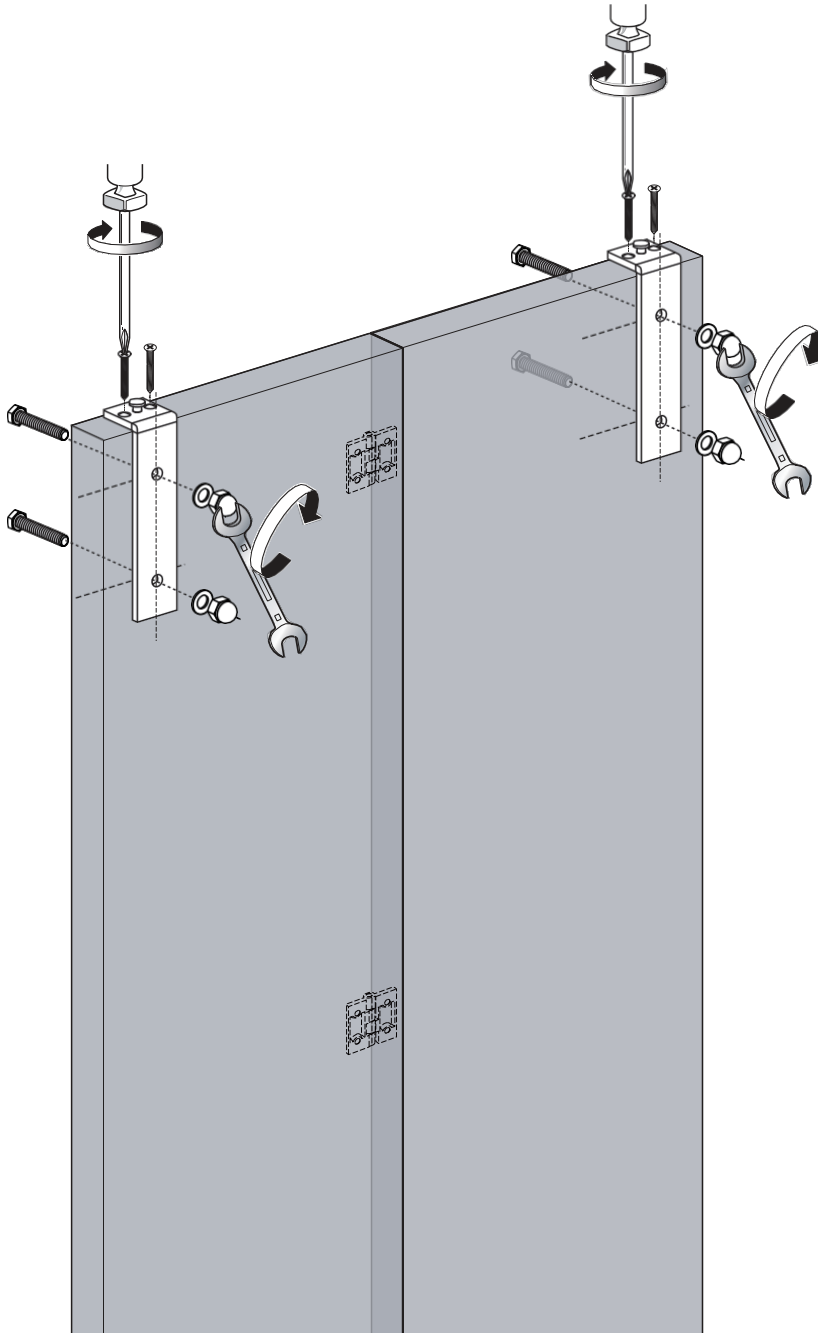
Product Assembly

The picture below shows the appearance of the folding door and track after installation, with the hinge located on the back of the door.



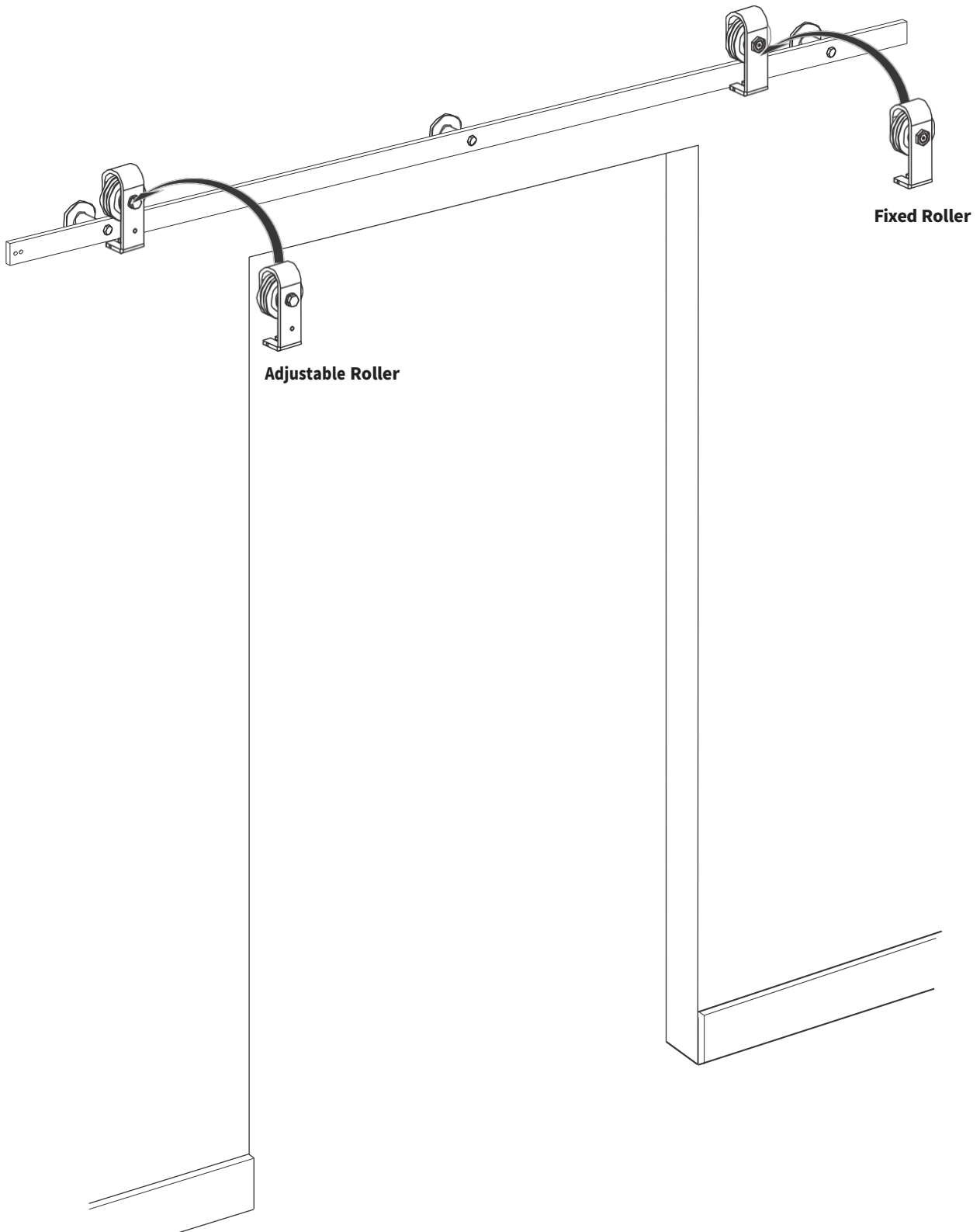
Step-6

First install the hex bolts (the holes for the hex bolts is pre-drilled), then put in the supplied screws of the top of the door.



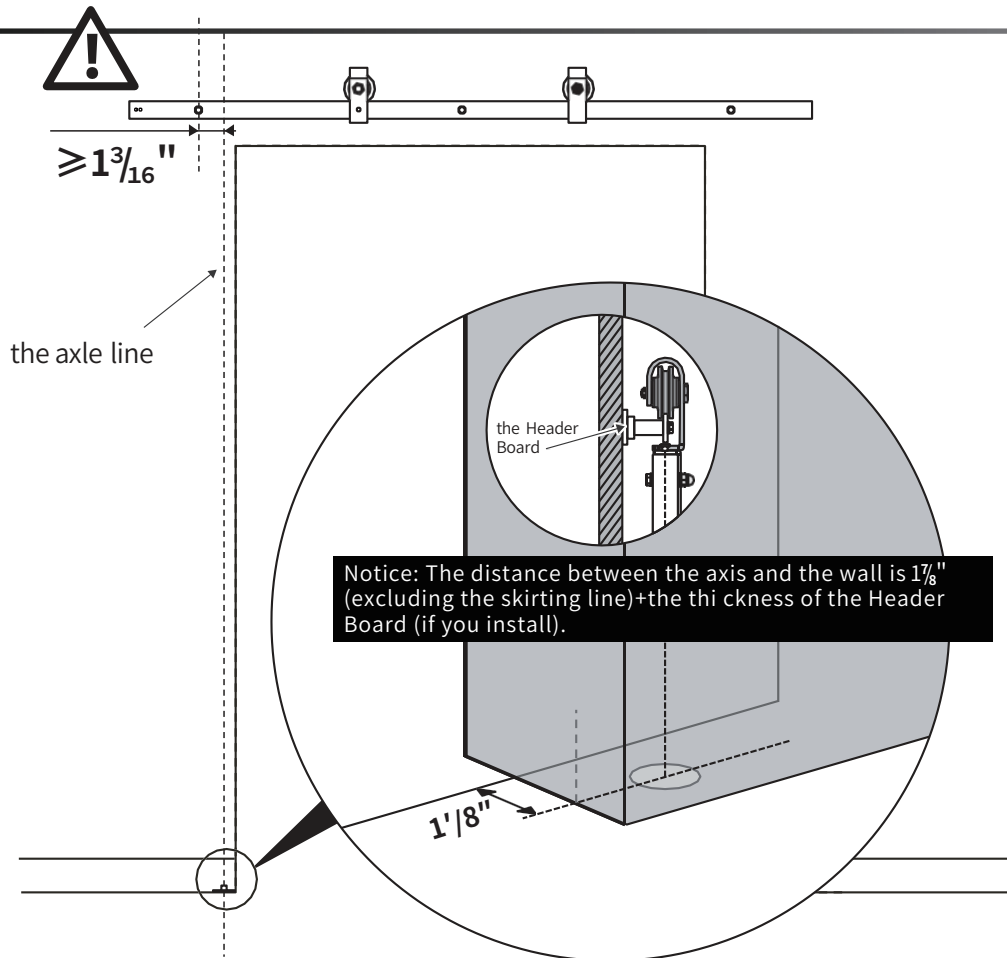
Step-7

Hang the fixed roller and the adjustable roller in the correct positions on the rail.



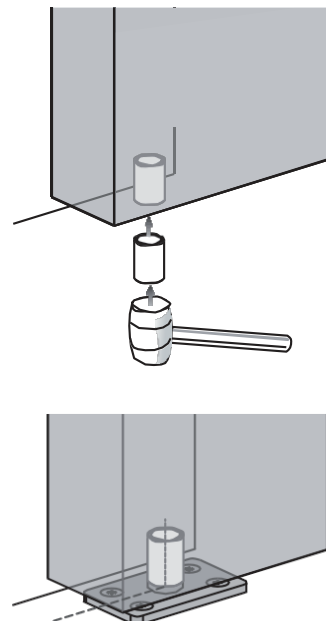
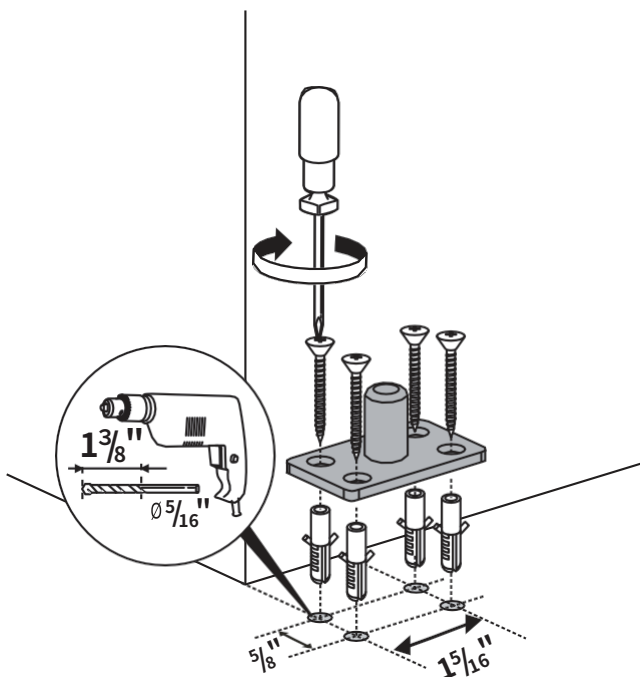
Step-8 FOR SINGLE DOOR

- A** Determine pivot of the position of the Bottom Pivot Plate according to the marked axle line in the Step-1.



- B** Install the Bottom Pivot Plate according to the pictures below.

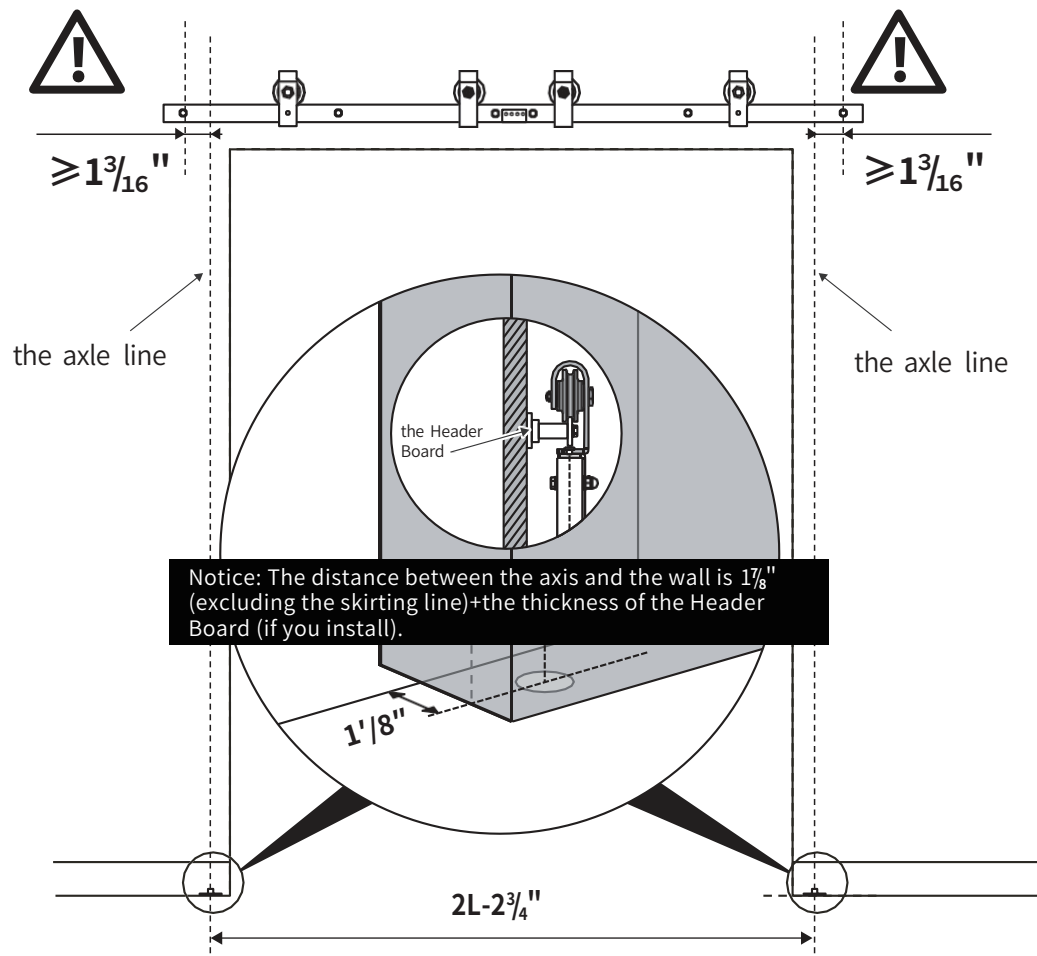
- C** Use a mallet to knock the brass sleeve into the Pre-primed hole at the bottom of the door .



Step-9

- (A)** Determine pivot of the position of the Bottom Pivot Plate according to the marked axle centre line in the Step-2.

Note: the distances between 2 axle centre line are $2L-2\frac{3}{4}$ " (L=length of single door).

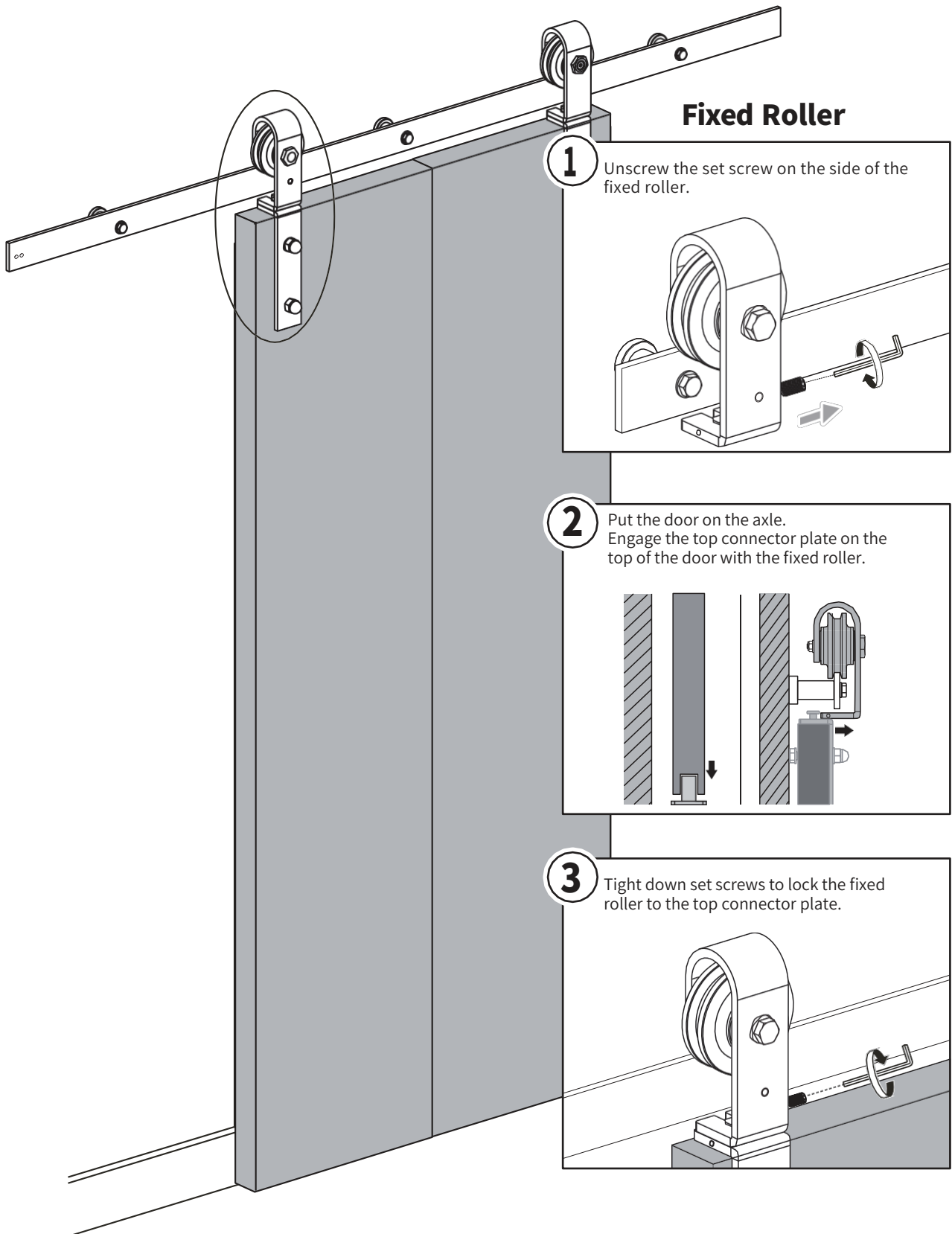


- (B)** Install the Bottom Pivot Plate. (same as single door)

- (C)** Use a mallet to knock the brass sleeve into the Pre-primed hole at the bottom of the door. (same as single door)

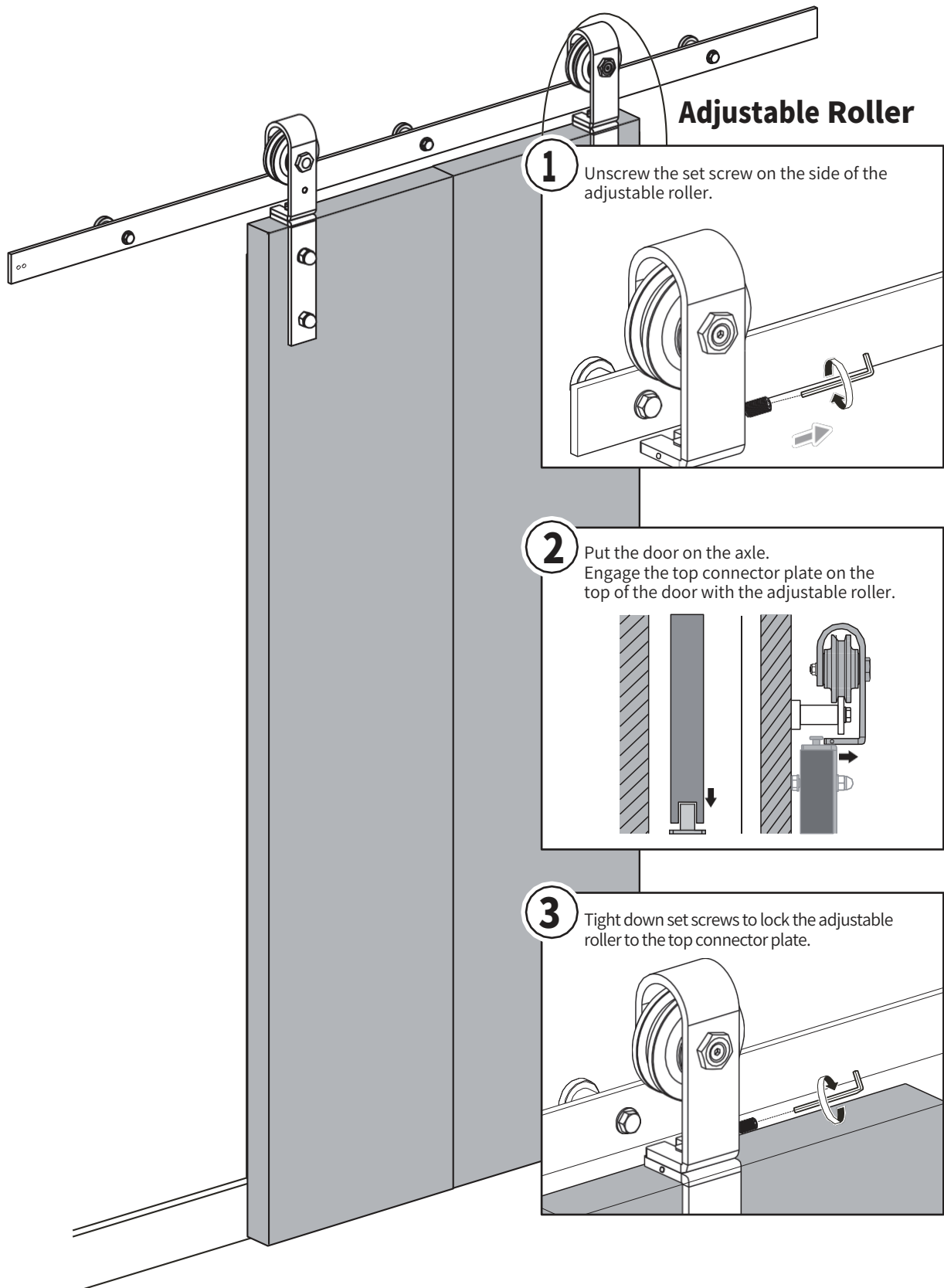
Step-10

Using the set screws to lock the fixed roller assemblies to the top connector plates.



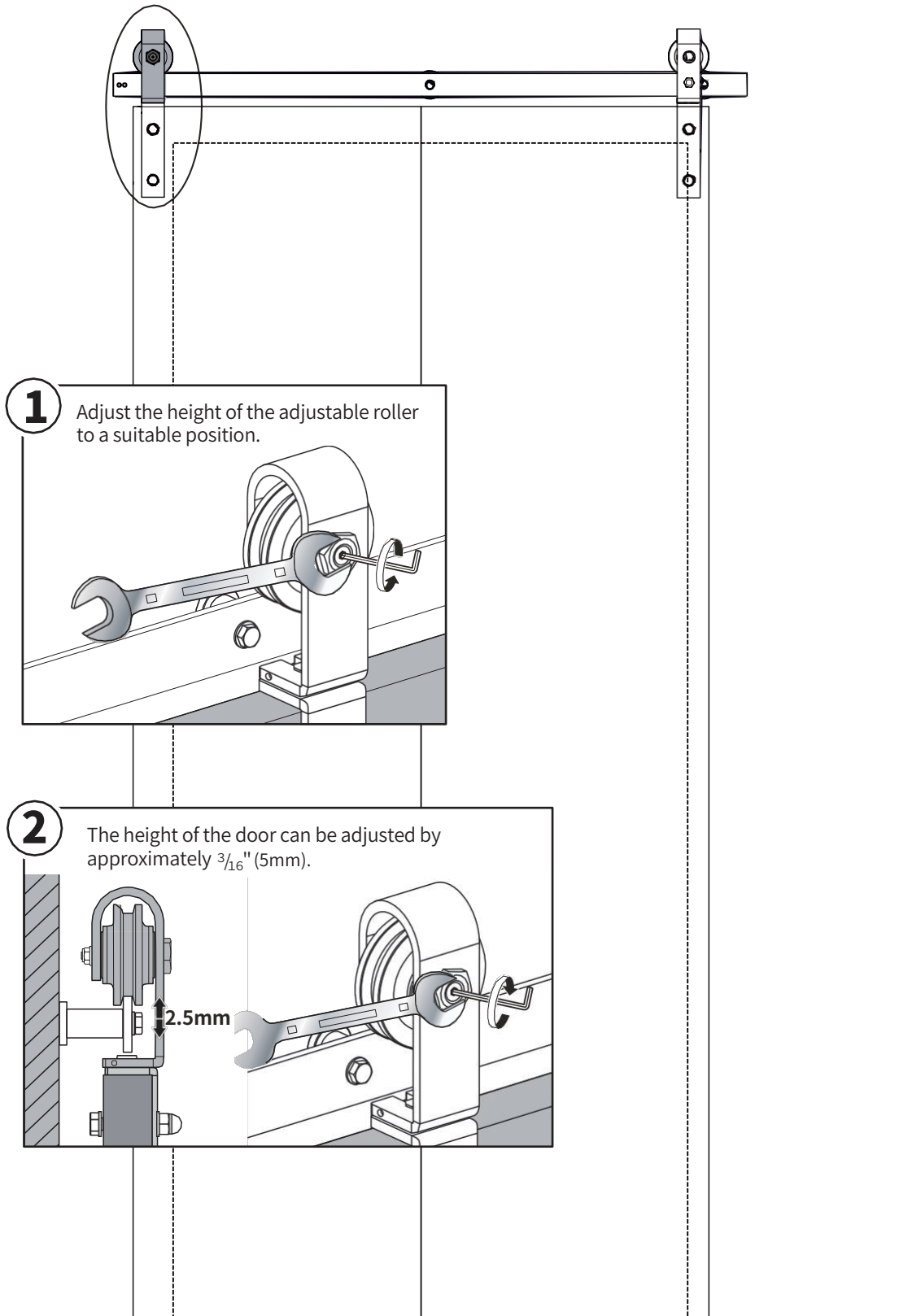
Step-11

Use the set screws to lock the adjustable roller assemblies to the top connector plate.



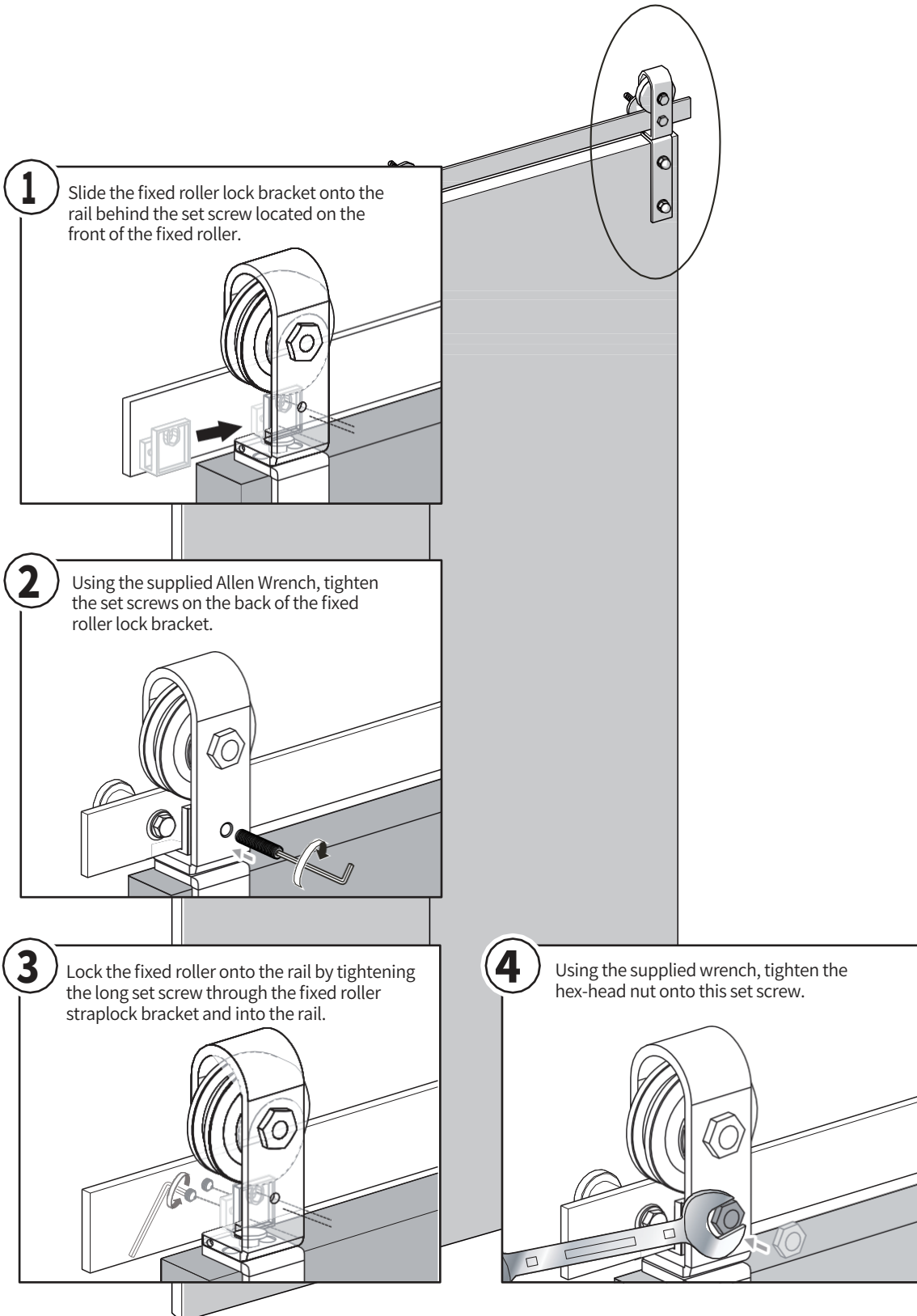
Step-12

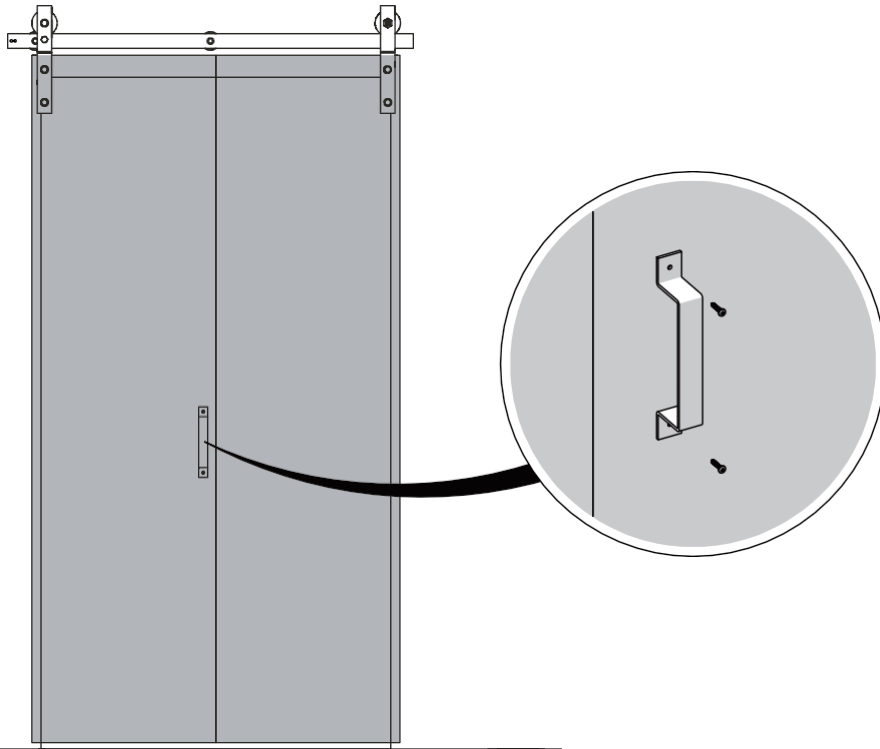
Adjust the height of the adjustable roller to a suitable position , ensuring the doors are level.



Step-13

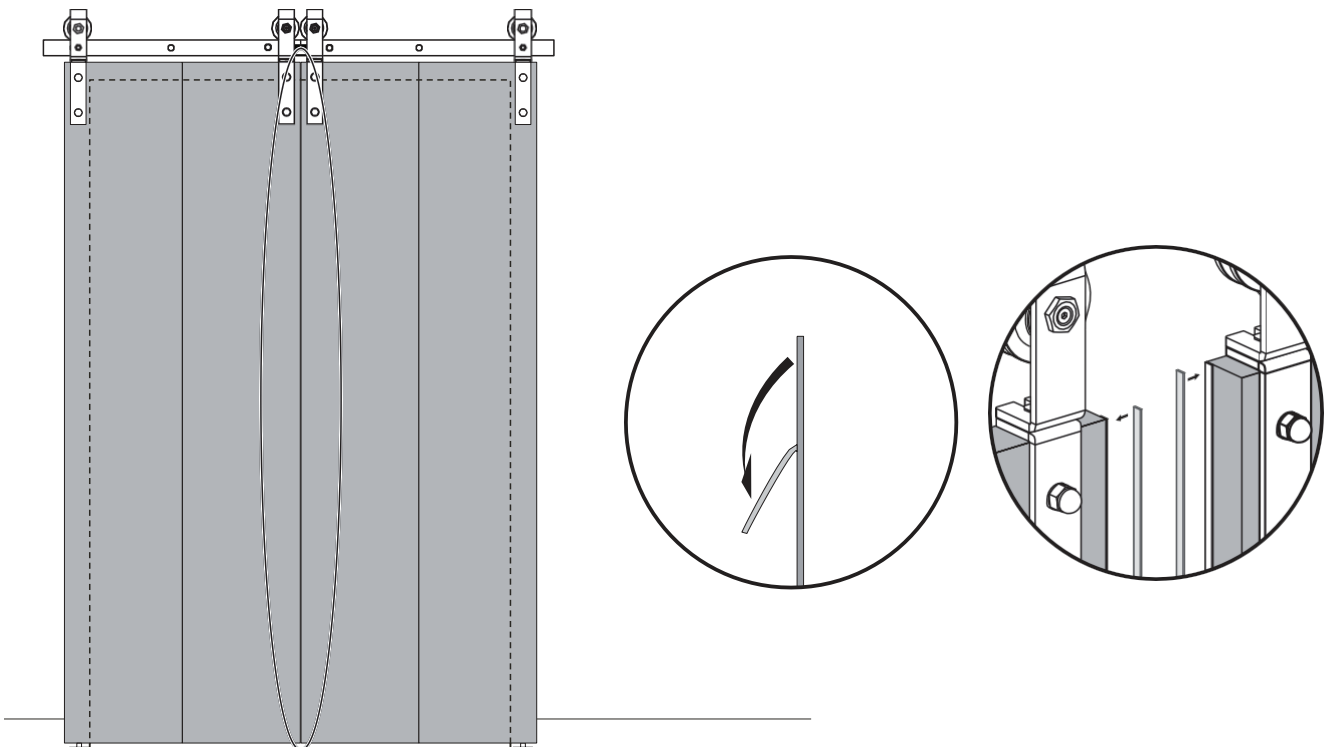
Lock the fixed roller onto the rail by tightening the long set screw. Use the supplied wrench to tighten the hex-head nut onto this set screw.





Step-14

For double doors installation, proceed with the step 14. If installing a single door, skip this step. Stick the anti-collision strip on the door. In order to prevent the gap between the door and the door from being too large, please stick it diagonally as shown below.



WARNING

Failure to wear proper safety gear (i.e., eye protection) may result injury or death. Always wear proper safety gear before using any power tools.

Improper operation of power tools may result in loss of control, serious injury or death. Always ensure you have complete control of the power tool and the work area is hazard-free before operating any power tools.

Lack of secure clamping of the door may result in unexpected movement of the door, loss of power tool control and serious injury or death. Always securely clamp the door in place before cutting or drilling the door.

Lack of, or improperly installed anti-jump pad may result in the door coming off the track and cause serious injury or death. Installation of anti-jump pads are required for safe operation of this hardware. Installed properly, these anti-jump pads will keep the door securely attached to the track.

CAUTION

Mishandling of heavy objects (i.e., doors) may cause a los of balance and serious injury. Always be sure to have a secure hold on the object and are balanced before moving the object. Always wear safety shoes when lifting heavy objects.

Getting body parts (i.e., hair, fingers) caught in moving parts may cause pinching and serious injury. Do not put fingers in parts that may move and always remove or contain anything on your body that may become entangled with a moving part.

Closing sliding doors with your hand on the end of the door may result in your hand, or fingers, getting caught between the door and other solid objects (i.e., another door, molding) causing serious injury. Always use the door handle to close doors.

Usage Statement:

Use of excessive force when opening, and closing, the door(s) may result in damage to the hardware. Always hold the handle and gently open and close the door(s) .

Warranty Statement:

1 year straight unconditional warranty service enables every single hardware's durability coverage during its life time.

Warranty

Our products come with a 1 year warranty from the date of purchase.

In any event that the product arrives damaged or missing parts, we are more than happy to provide you with replacement part(s).

Register your product on our website to enjoy extended warranty!!

Easy Return

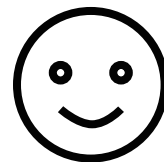
We work hard to make sure order arrives safe and secure, but rest assured we will take care of it if it is not up to standard. If you need replacement parts, Contact us we will send you replacements with no hassle.



Contact Us



Replacement



You

You don't have to worry about re-packaging / schedule pick-up.