



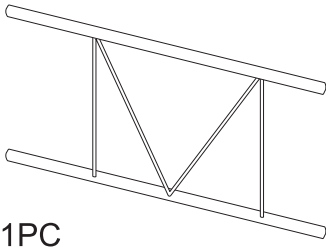
Expandable Microwave Rack

Assembly Instructions

Thank you for your purchase. Please reference assembly instructions before use. Make sure all parts are present and place them side by side for easy identification.

Package Contents:

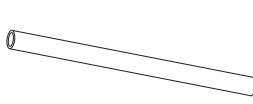
A Guardrail



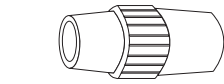
1PC

B Pole

2PCS

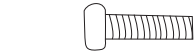


C Plastic Tube Lock



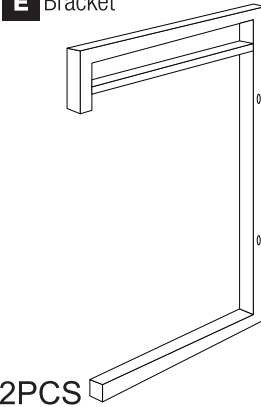
2PCS

D Hex Screws



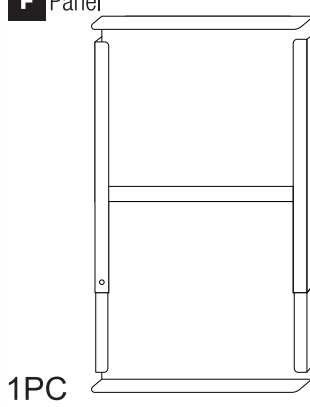
4PCS

E Bracket



2PCS

F Panel

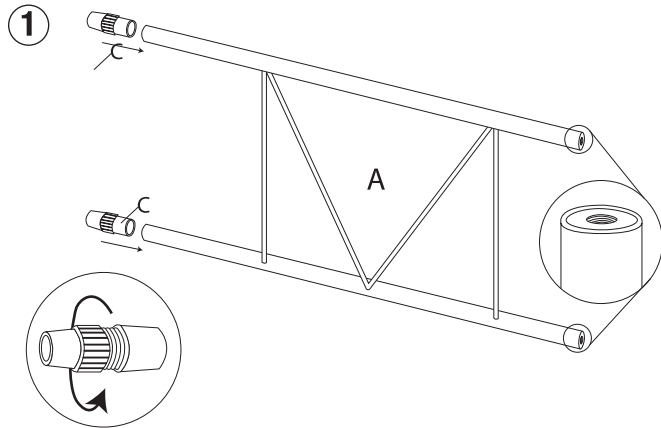


1PC

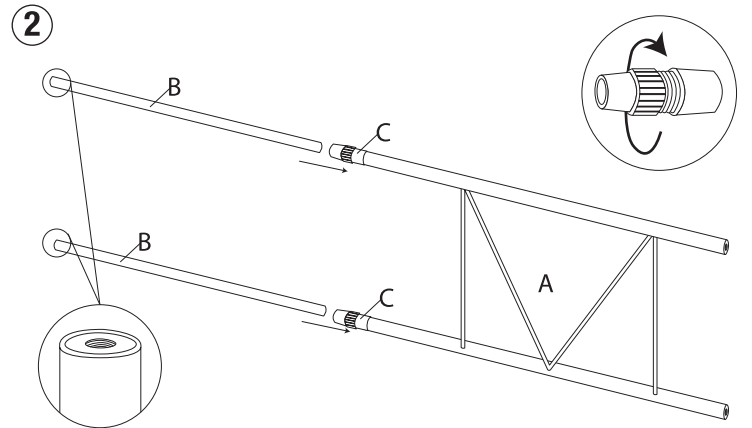
G Hanging Hooks



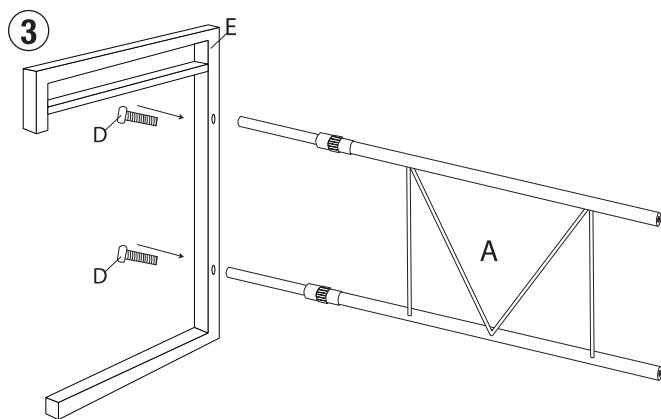
3PCS



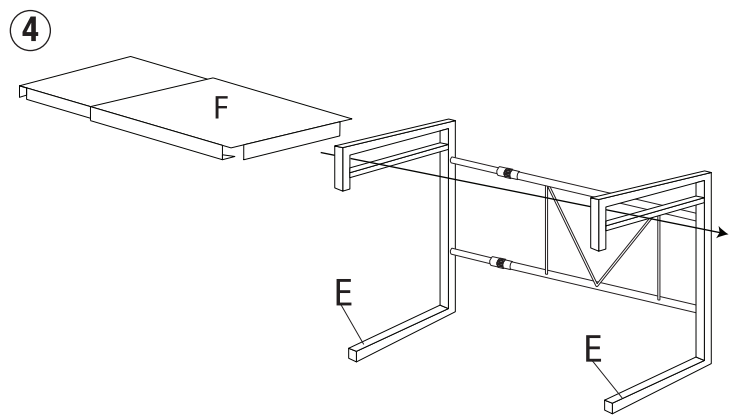
Step 1: Slide plastic tube lock (C) onto the poles of guardrail (A) accordingly. Unscrew the plastic tube lock (C) halfway. **MAKE SURE NOT TO PUT ON PIECE C TO THE SIDE WITH THE THREADS. THE POLES SHOULD BE HOLLOW.**



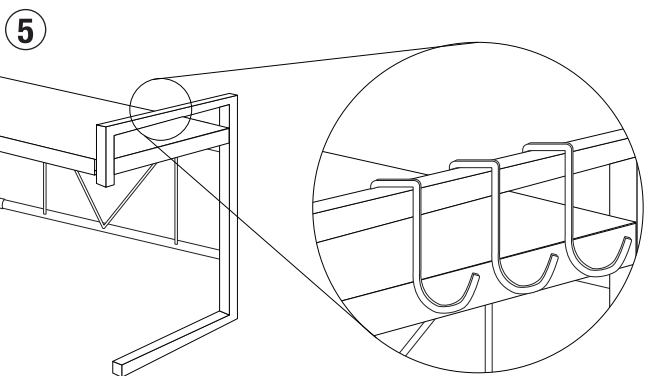
Step 2: Slide pole (B) through the plastic tube lock (C) to desired length. Tighten the cap and base of the plastic tube lock (C). **MAKE SURE NOT TO SLIDE THE THREAD SIDE IN. FOR EACH POLE THE THREADS SHOULD BE FACING OUT TOWARDS YOU.**



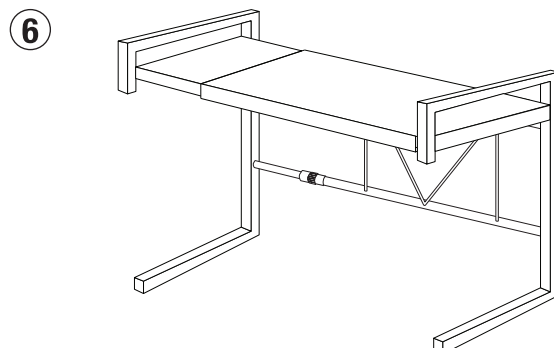
Step 3: Secure guardrail (A) to bracket (E) using hex screws (D) and provided hex key. Repeat with other bracket (E).



Step 4: Extend the panel (F) to desired length and slide through middle bars of the brackets (E). Gently place down. If panel (F) doesn't fit, pull the edges to make bigger or push the edges to make smaller.



Step 5: Place hanging hooks (G) on rail as shown.



Step 6: After making sure everything is secure, feel free to place any desired item(s) on rack.