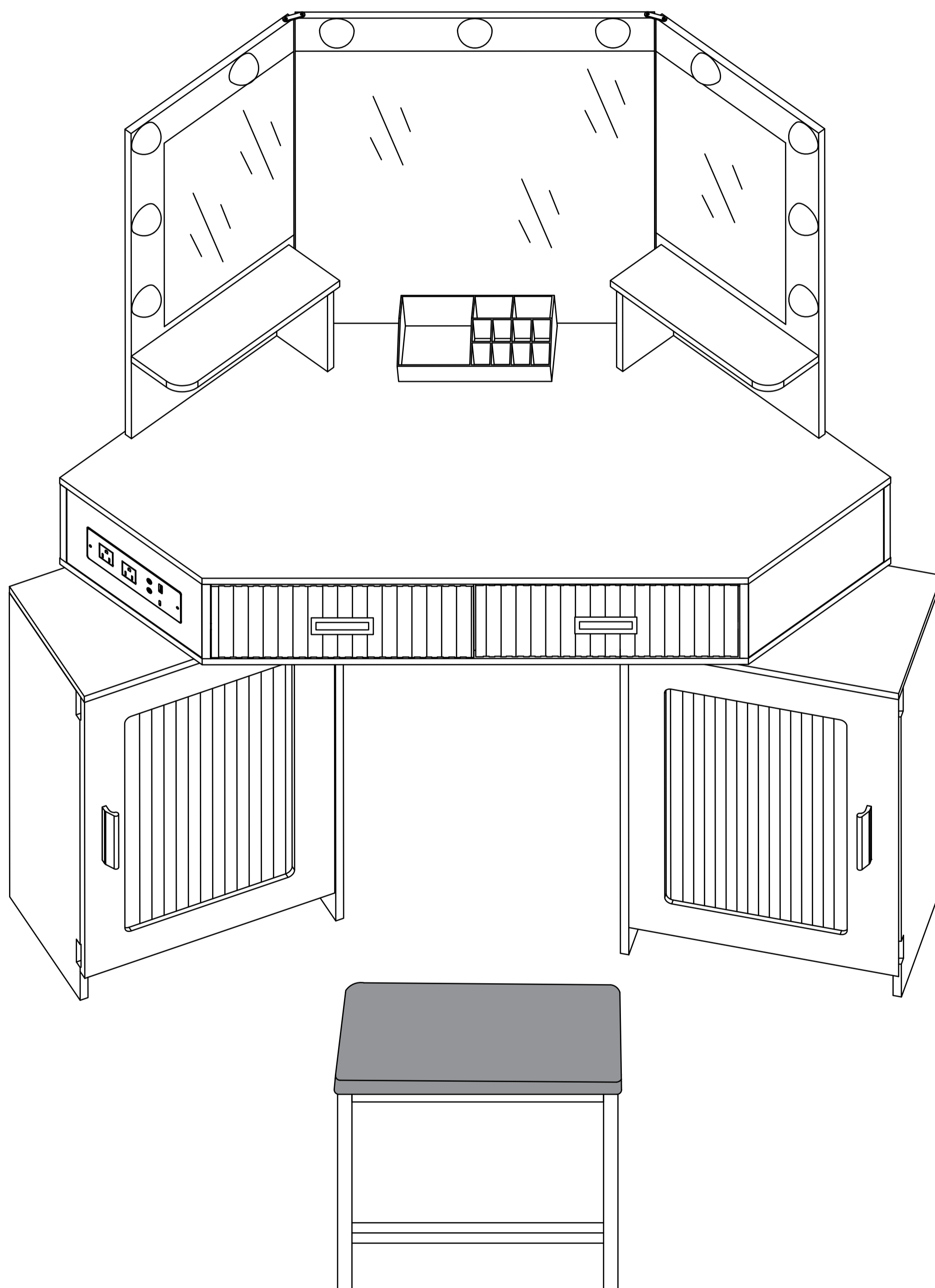
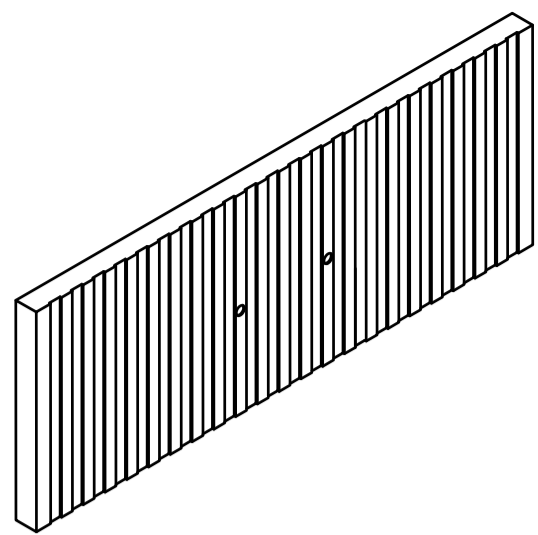


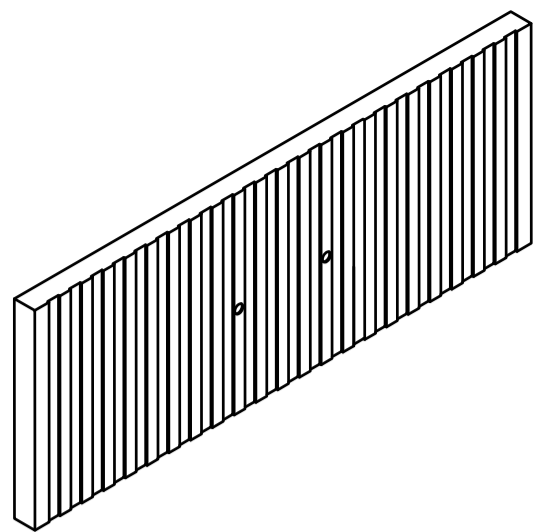
85082 Product Installation Instructions

SY-435单--扬远 YY2832+YY2831合同开始 改A29模块
(原来是A29模块)

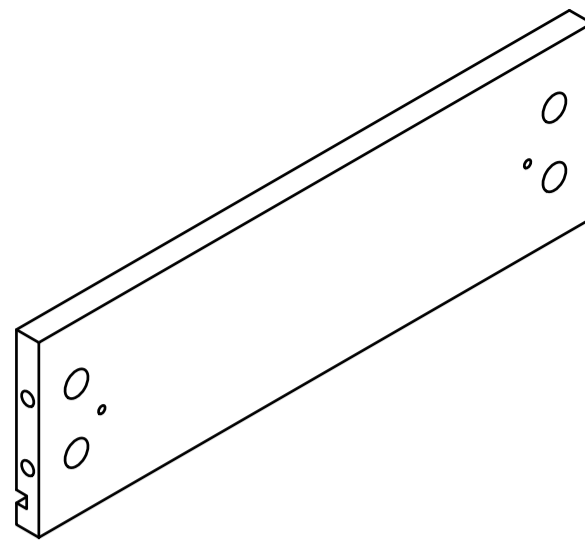




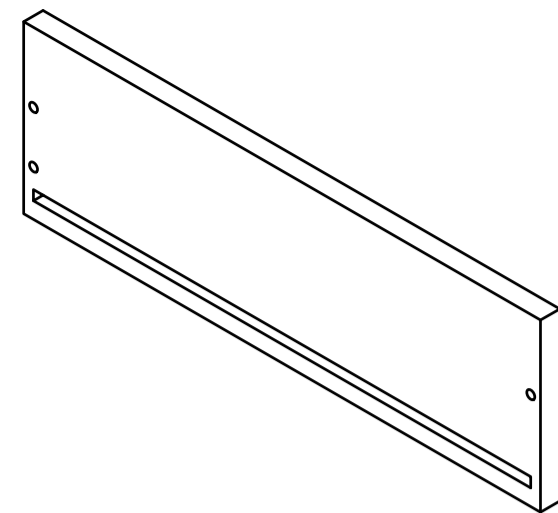
1x1



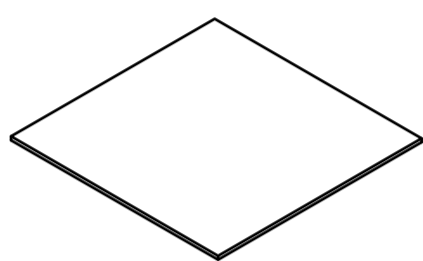
2x1



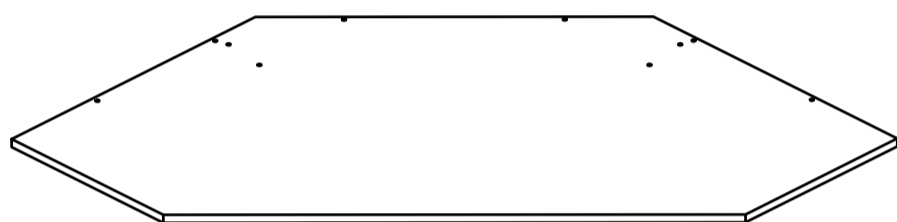
3x4



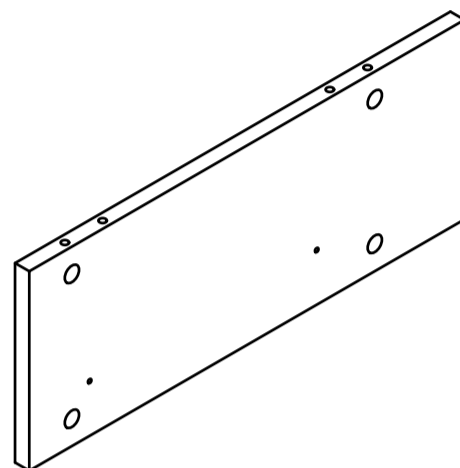
4x2



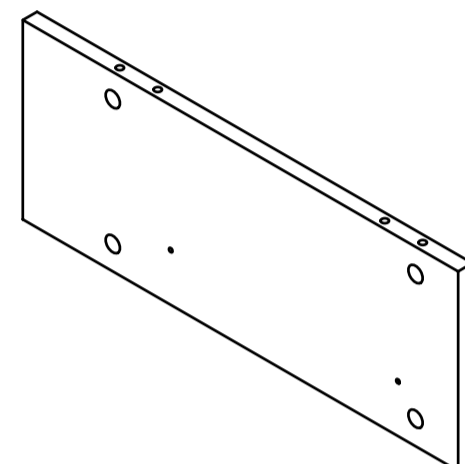
5x2



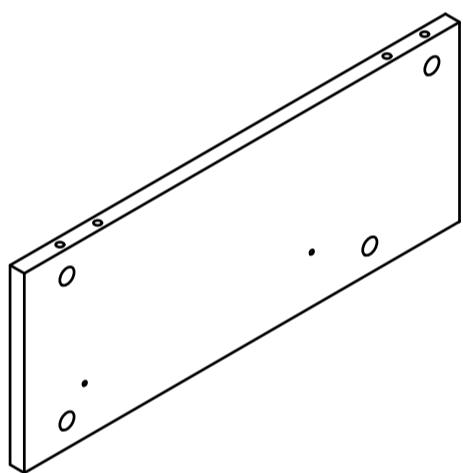
6x1



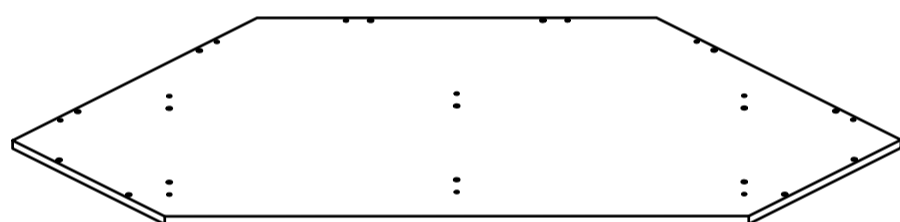
7x1



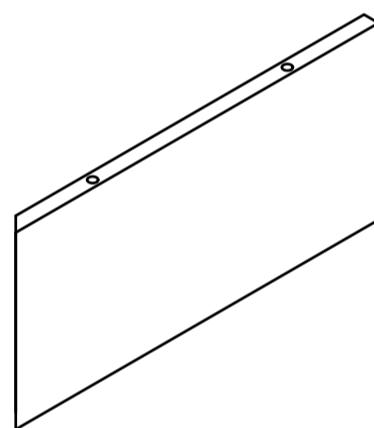
8x1



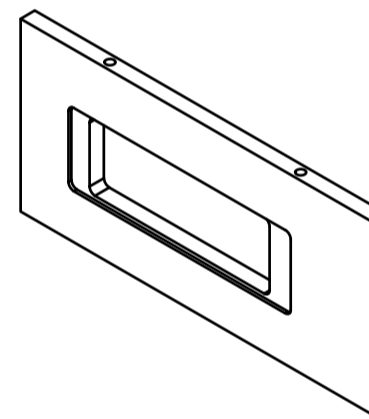
9x1



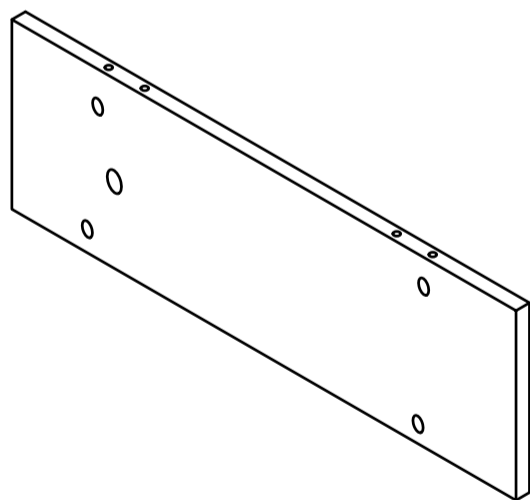
10x1



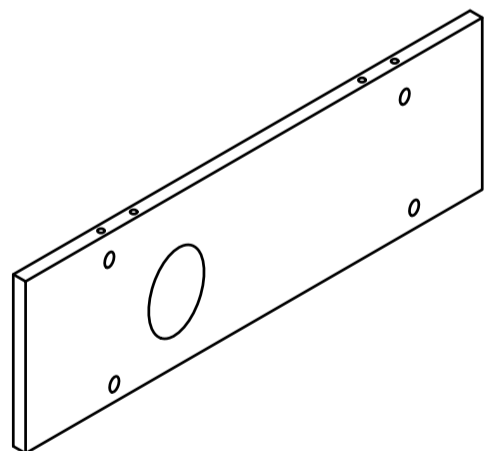
11x1



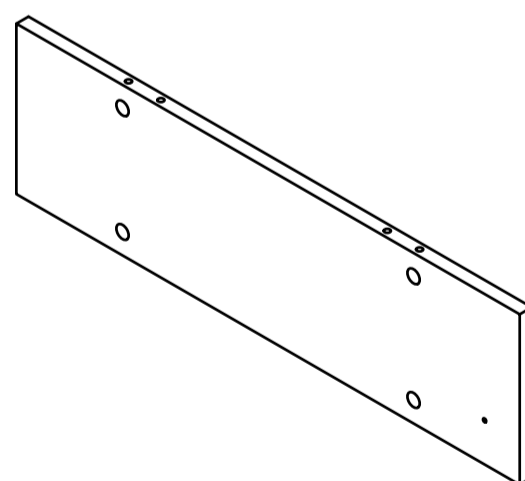
12x1



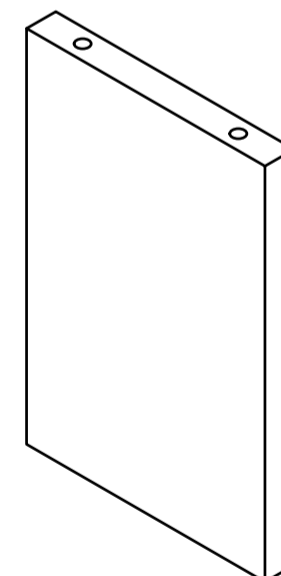
13x1



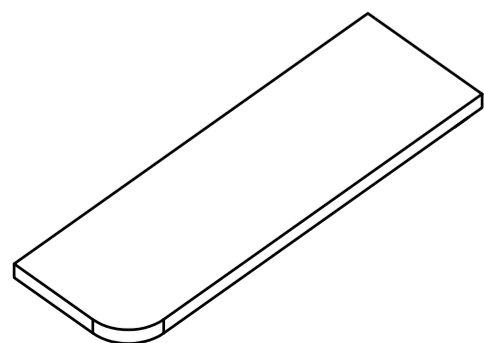
14x1



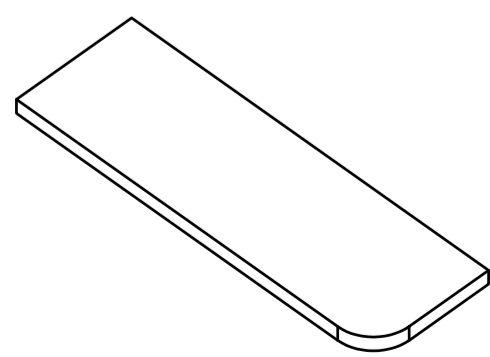
15x1



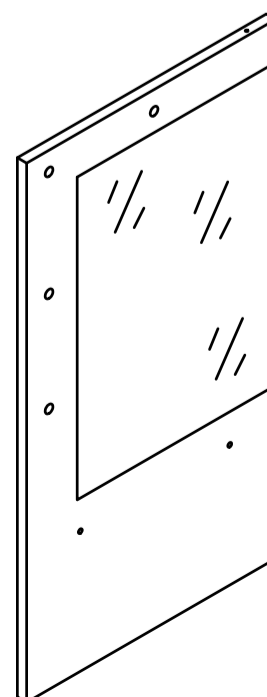
16x2



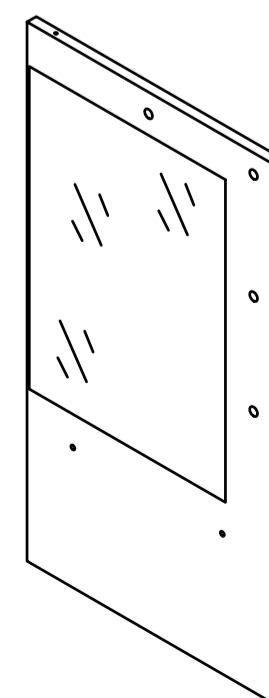
17x1



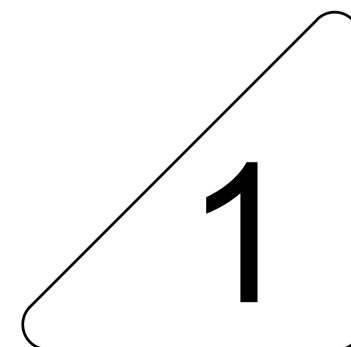
18x1



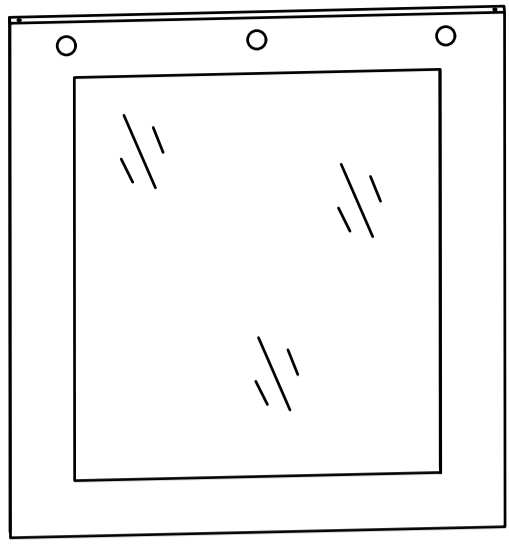
sy 19x1



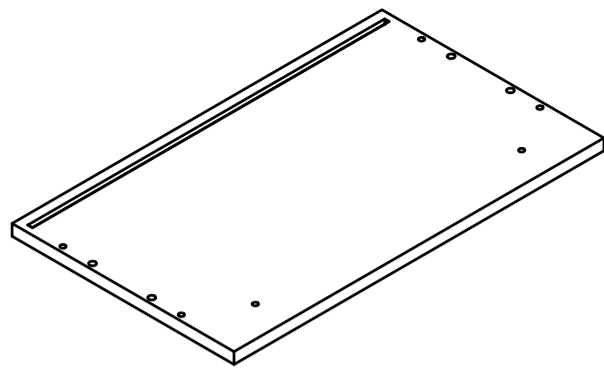
20x1



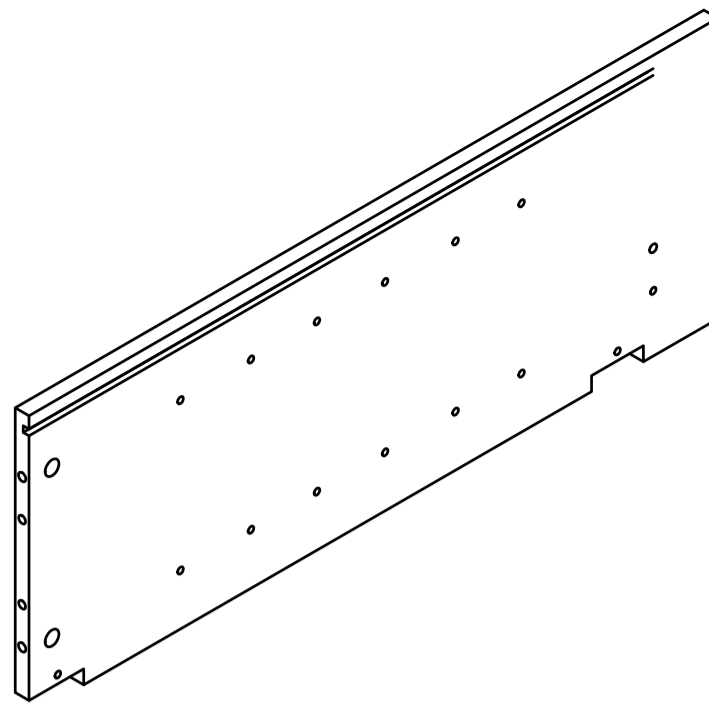
1



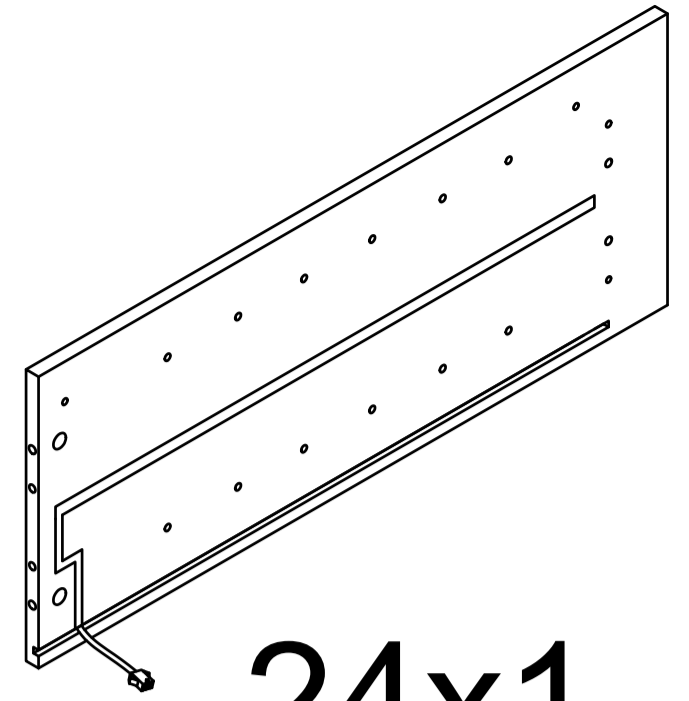
21x1



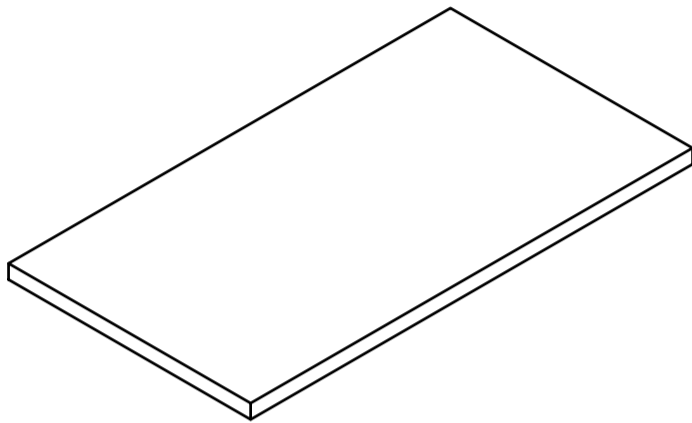
22x2



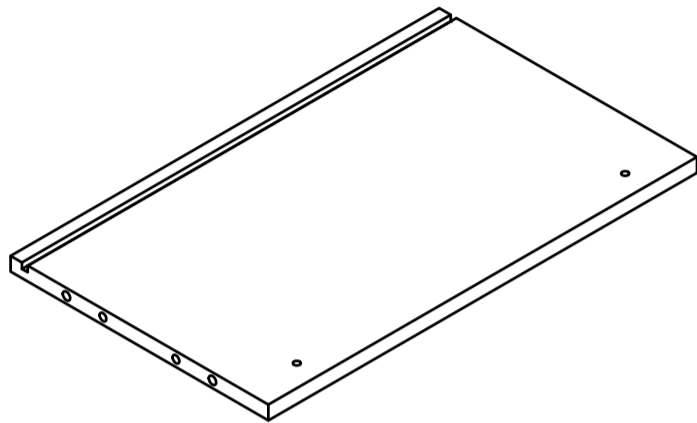
23x1



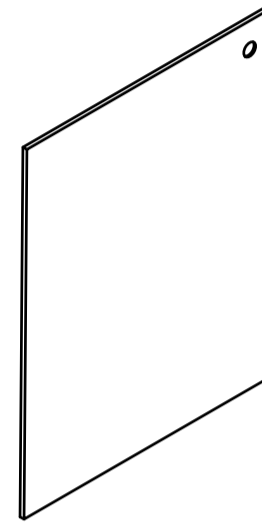
24x1



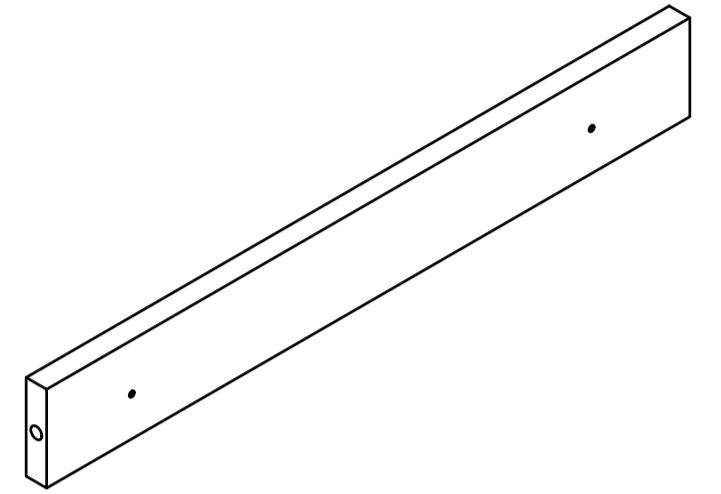
25x4



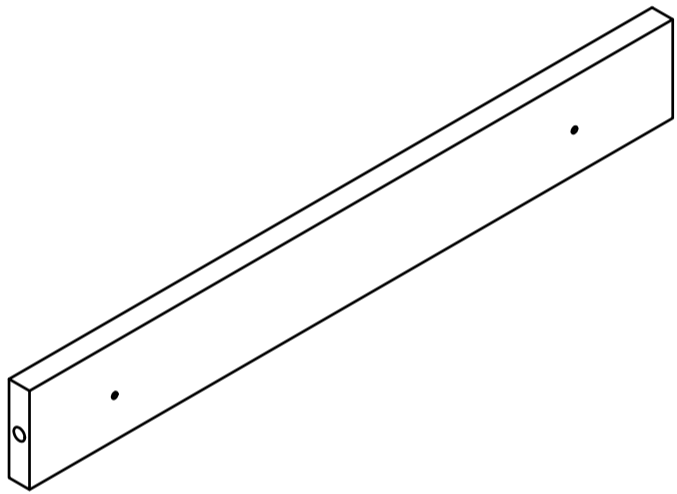
26x2



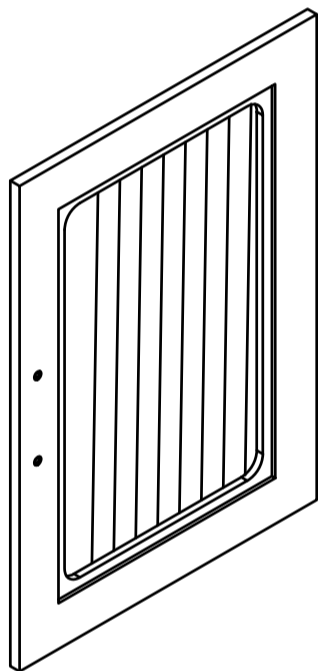
27x2



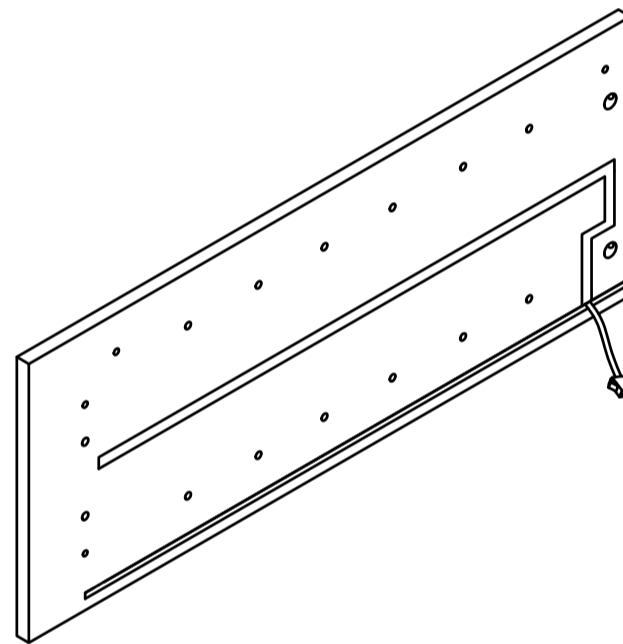
28x1



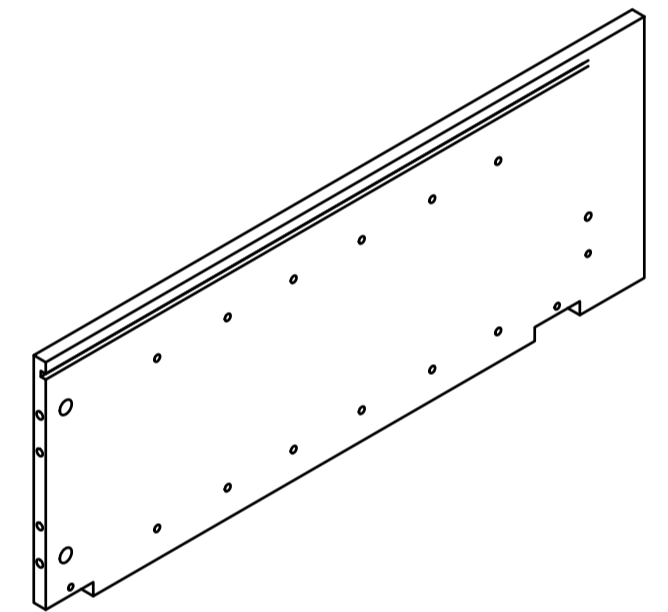
29x1



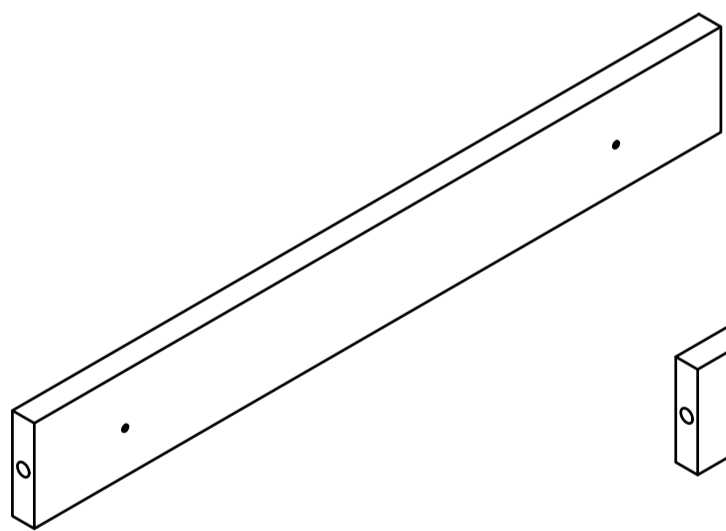
30x1



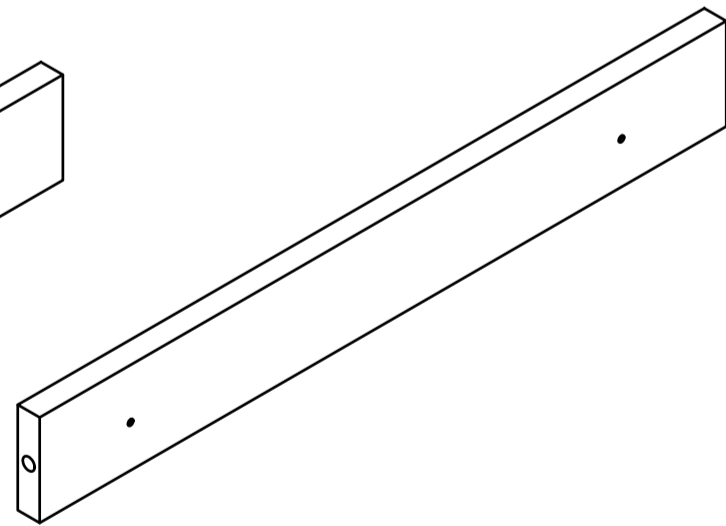
31x1



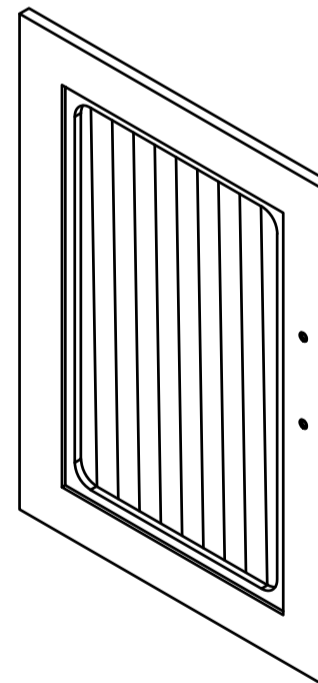
32x1



33x1



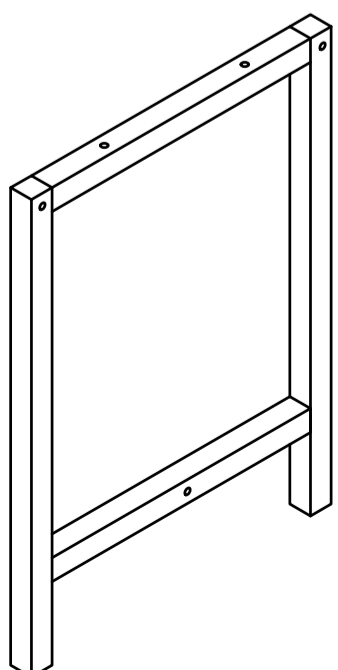
34x1



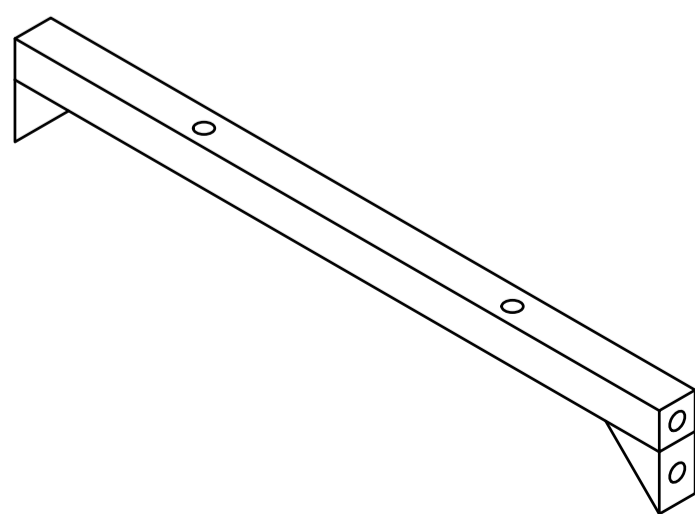
35x1



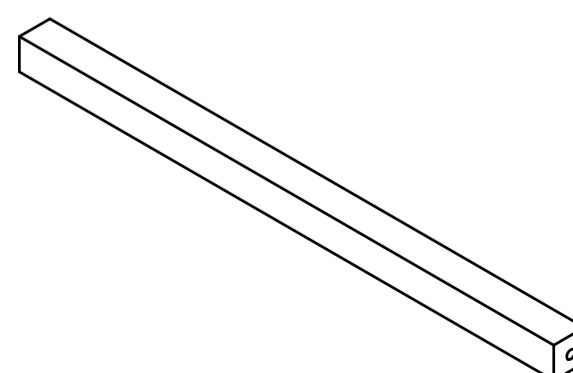
36x1



37x2



38x2

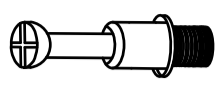


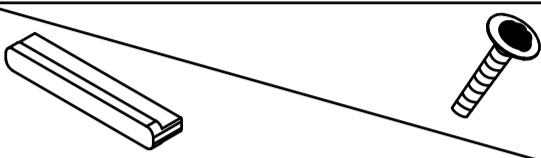

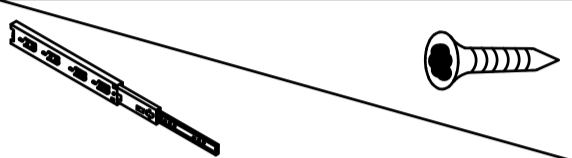
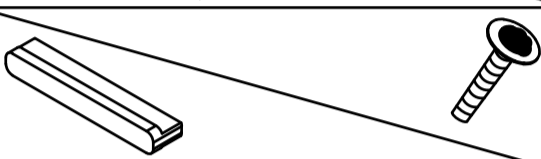
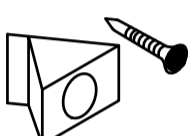
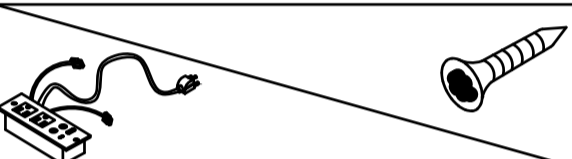
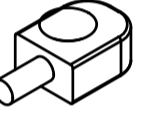


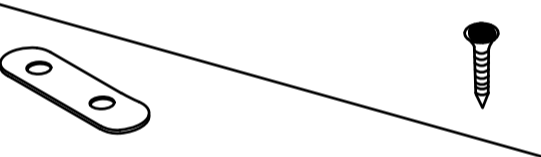
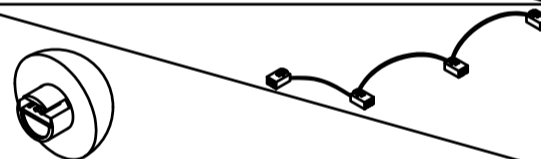



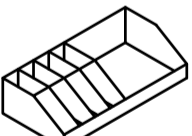
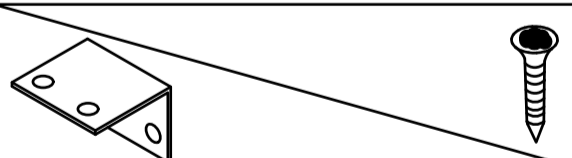


39x1

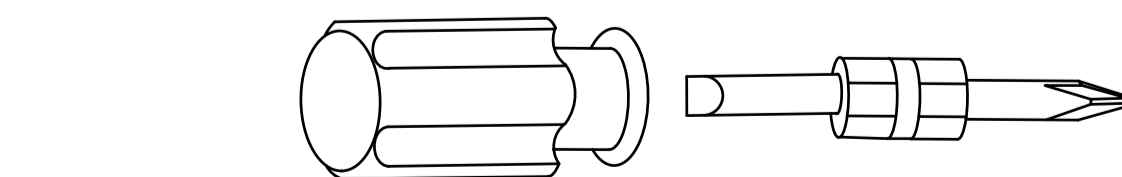
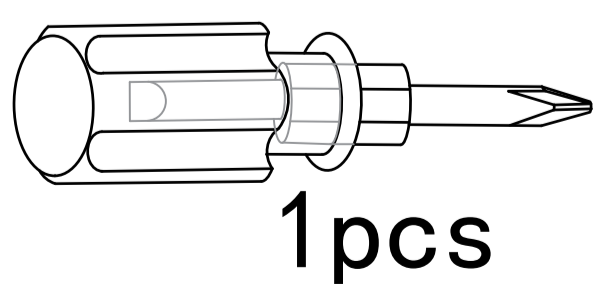


SY

Accessories list

(A)		Two in one screw (6x28mm)	94pcs +6pcs
(B)		Two in one nut (10x12mm)	94pcs +6pcs
(C)		Wood Chipping (6x30mm)	48pcs +4pcs
(D)		Handle & Screw (4x20mm)	2pcs / 4pcs +1pcs
(E)		Non-slip pads	8pcs +2pcs
(F)		(29cm) Guide & Screw (3x12mm)	8pcs / 40pcs
(G)		Handle & Screw (4x16mm)	2pcs / 4pcs +1pcs
(H)		Fixing Clip & Screw (3x16mm)	8pcs +1pcs
(I)		Power Socket & Screw (3x10mm)	1pcs / 2pcs +1pcs
(J)		Laminate support nail	16pcs
(K)		Connecting Line	1pcs
(L)		Allen screw (6x16mm)	4pcs
(M)		Iron sheet & Screw (3x10mm)	2pcs / 4pcs +1pcs
(N)		Light bulb	11pcs / 1pcs
(O)		Double end connecting line	1pcs
(P)		Clamp	4pcs
(Q)		Allen screw (6x28mm)	14pcs
(R)		Lipstick box	1pcs
(S)		Corner Code & Screw (3.5x12mm)	2pcs / 8pcs +1pcs

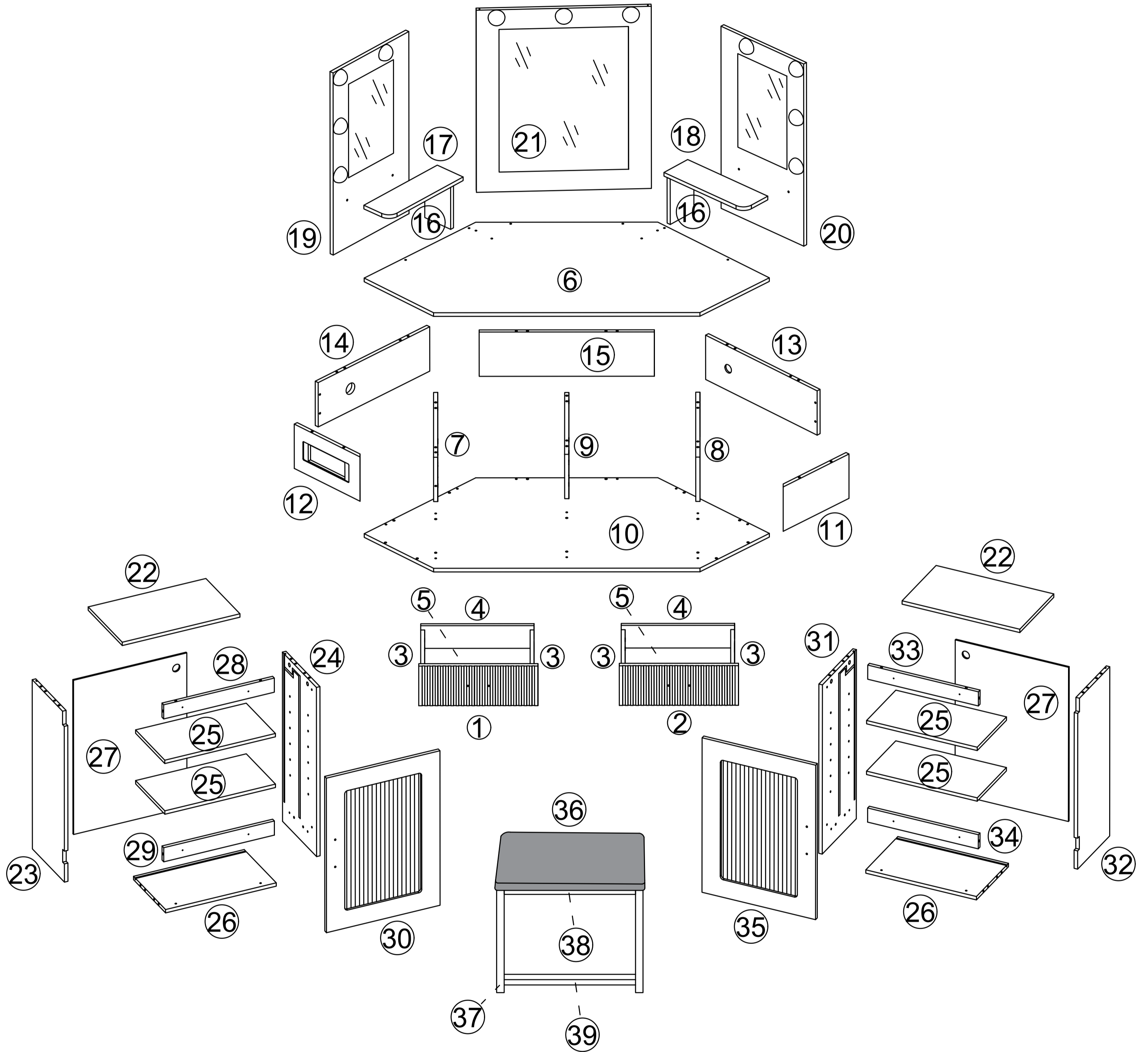
Anti tipping hardware



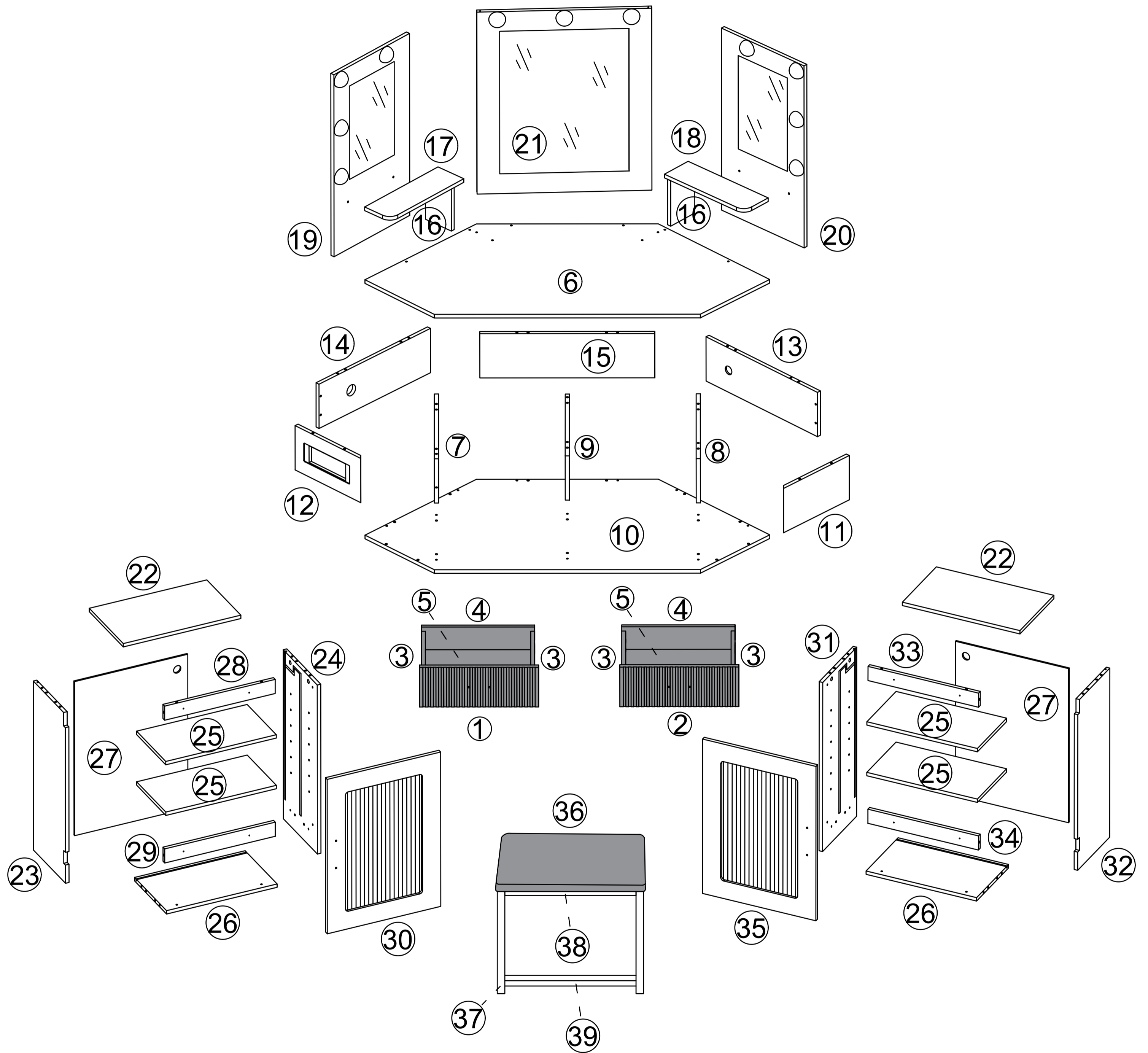
Double-head screwdriver, use as required



Product structure decomposition

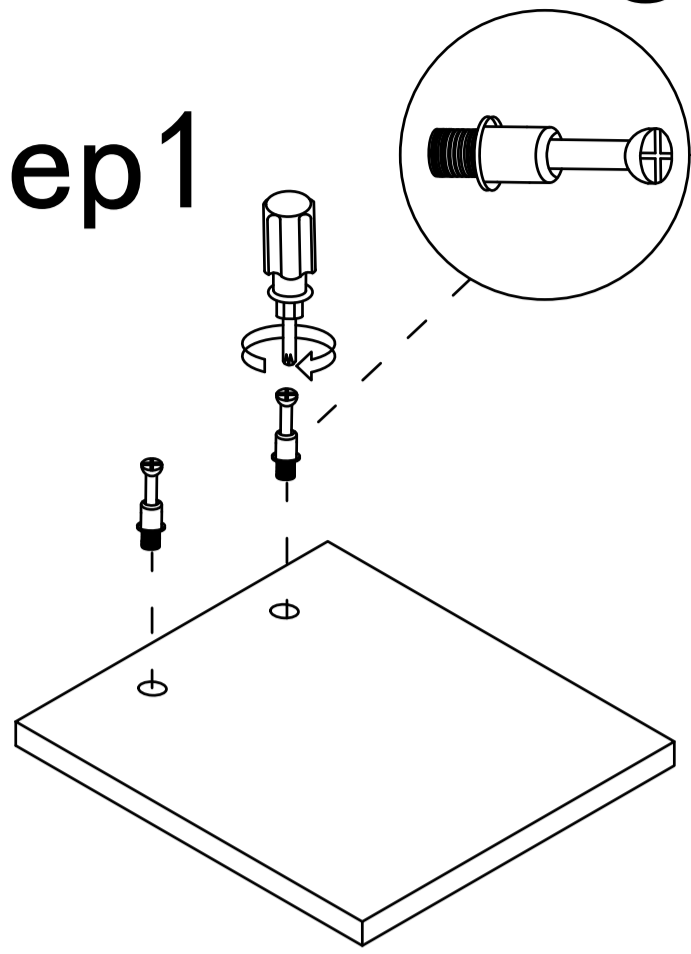


Product structure decomposition

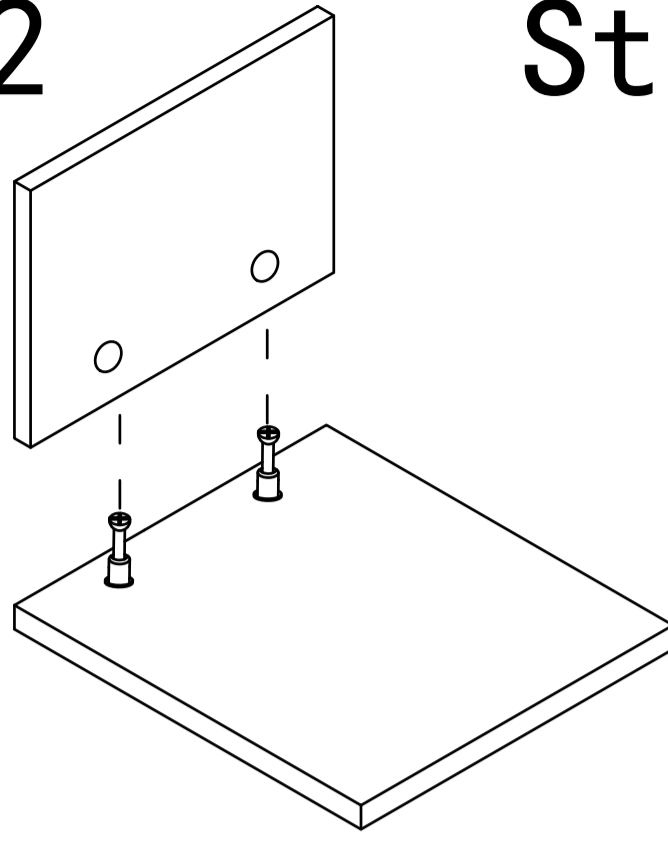


Use parts A and B

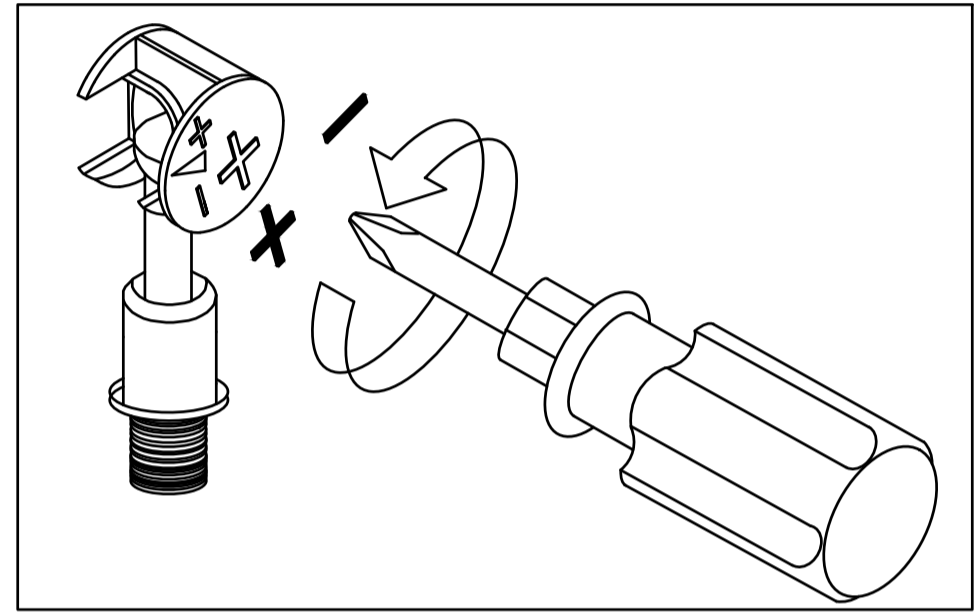
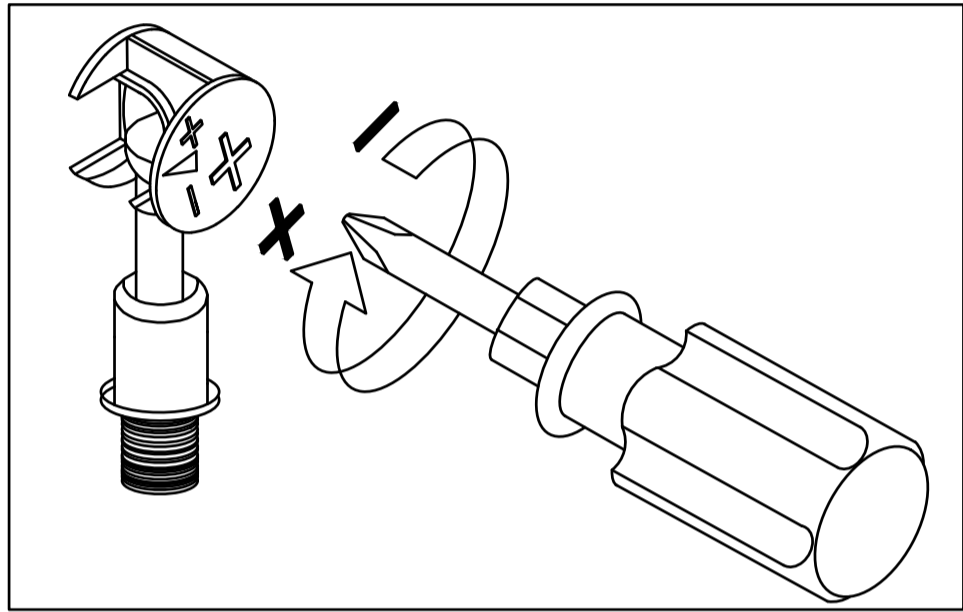
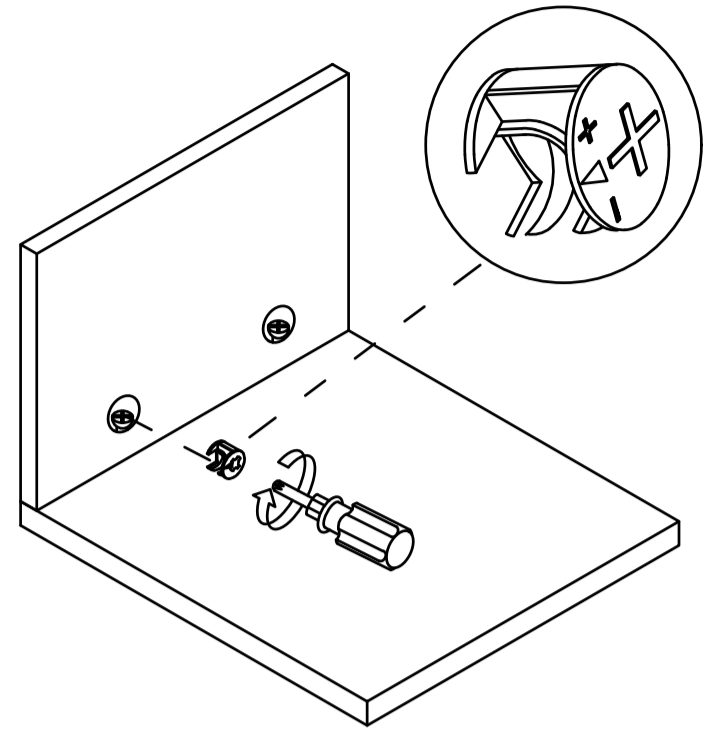
Step 1



Step 2



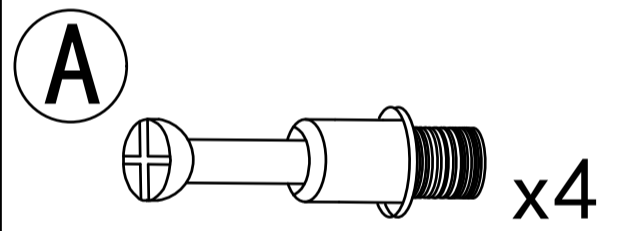
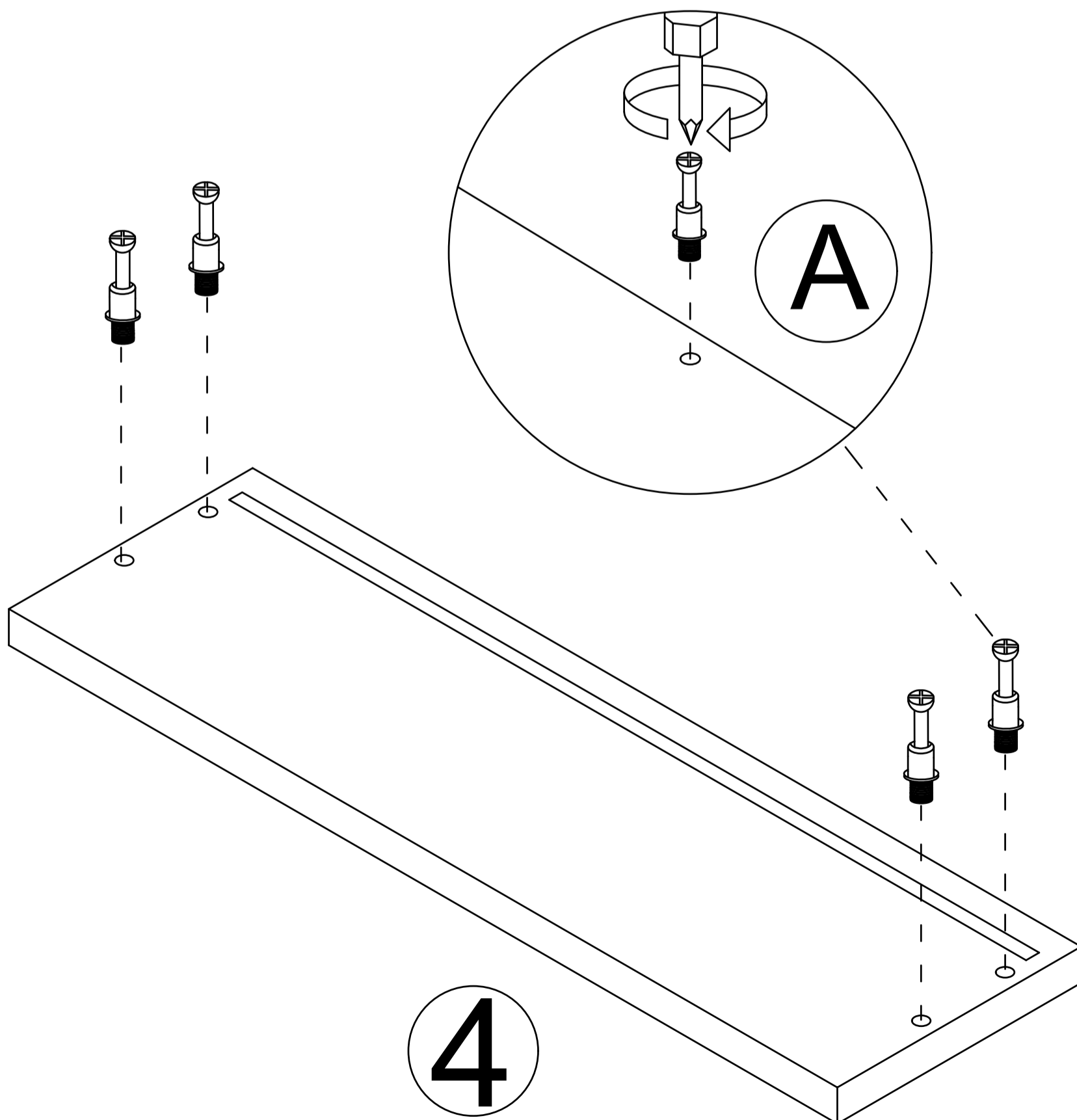
Step 3



Use a screwdriver to lock in the direction of the "+" sign

Disassemble along the direction of "-" sign

Step 1

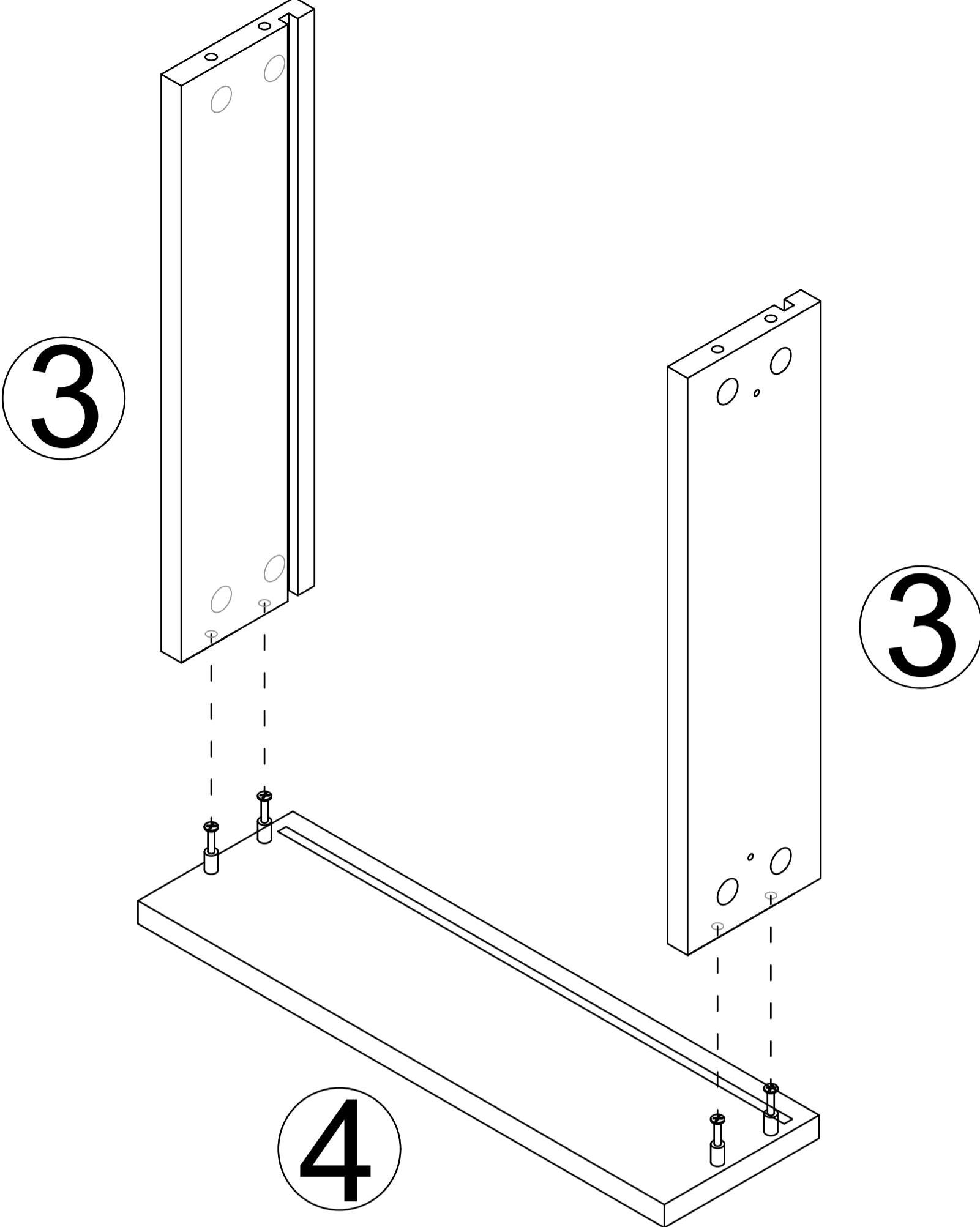


4

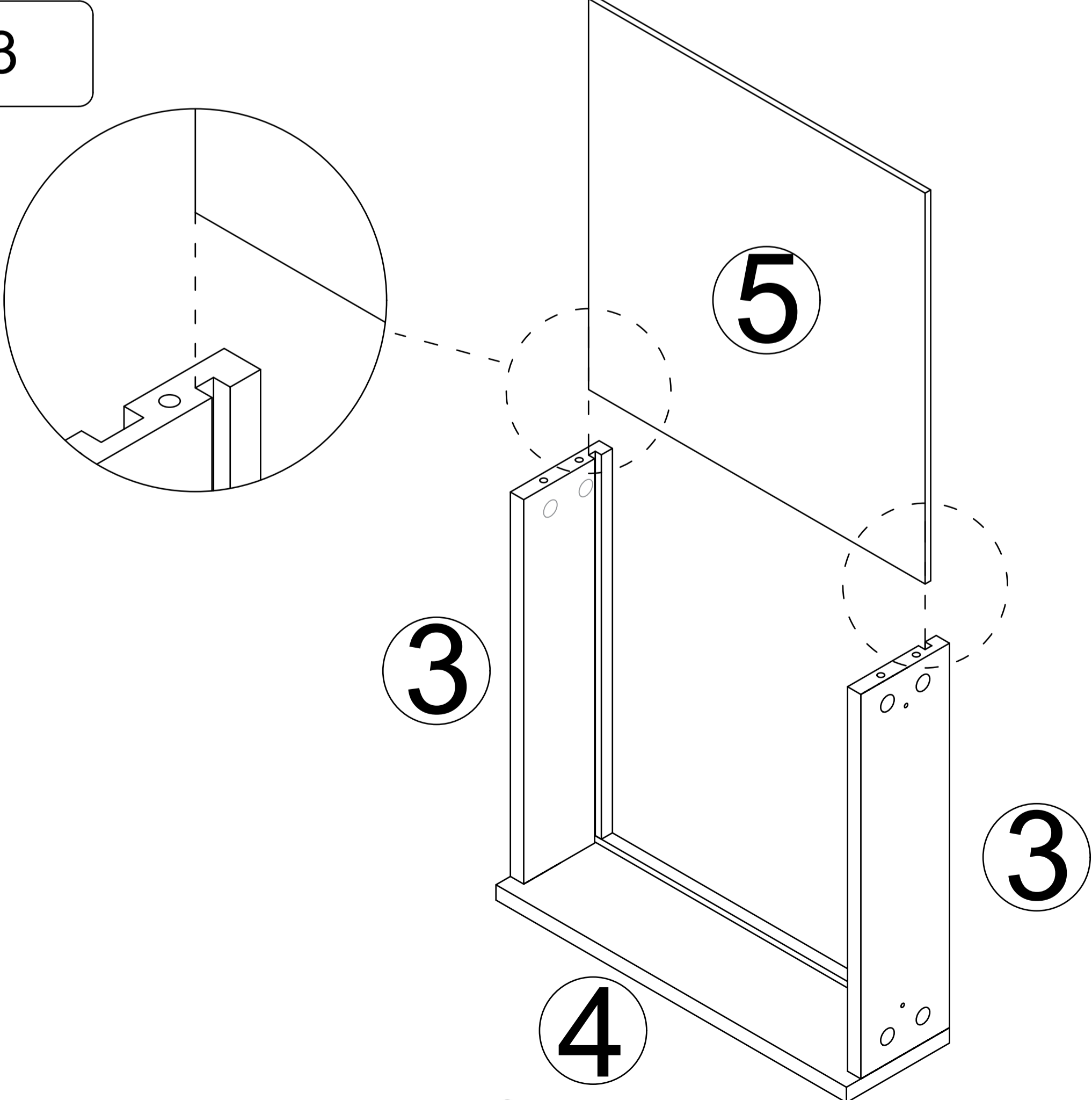
6

SY

Step 2

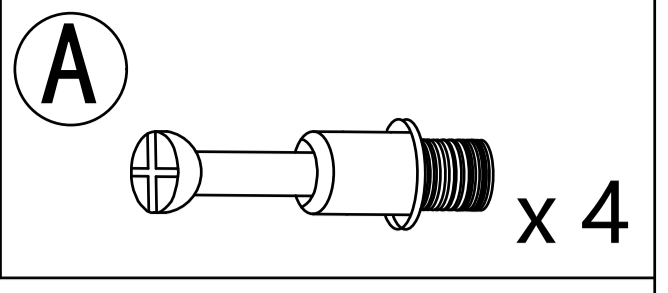
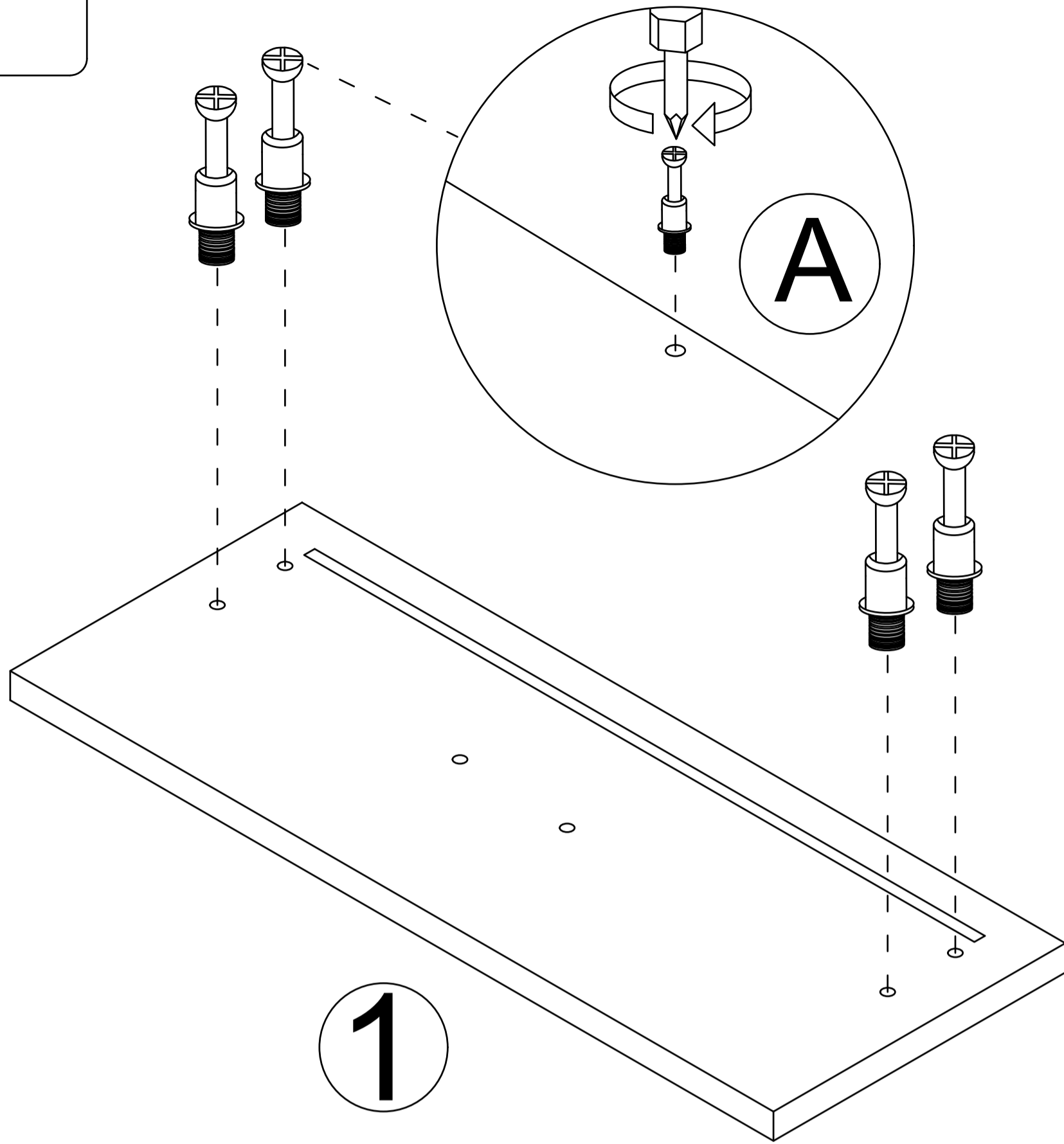


Step 3

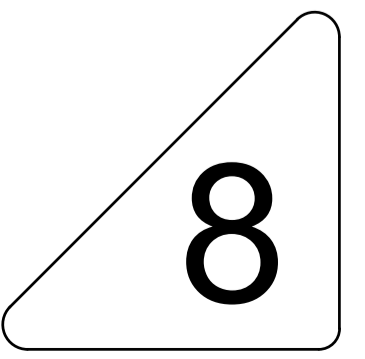
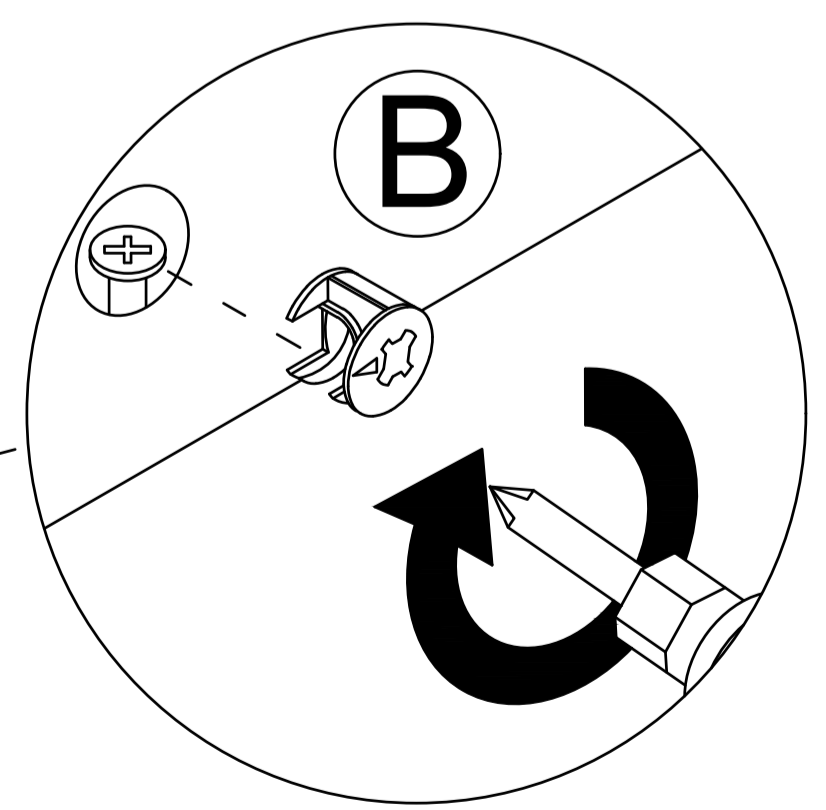
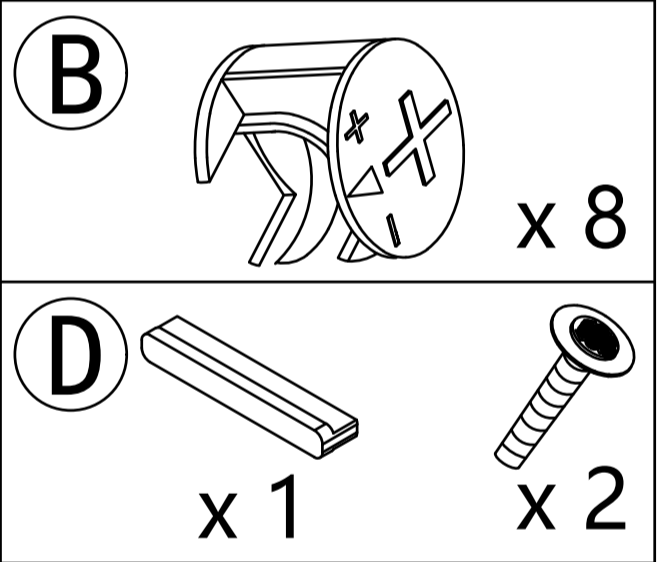
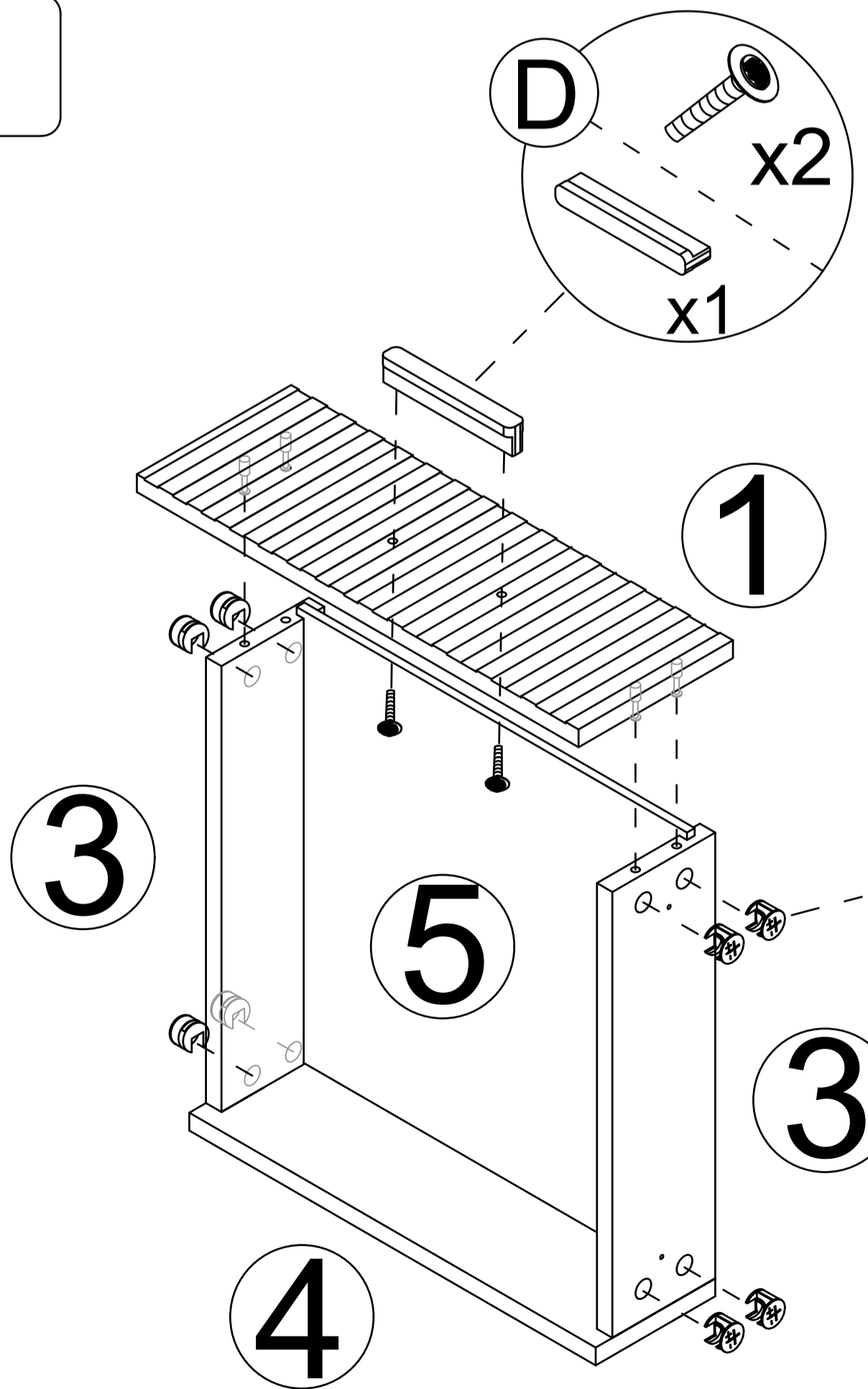


SY

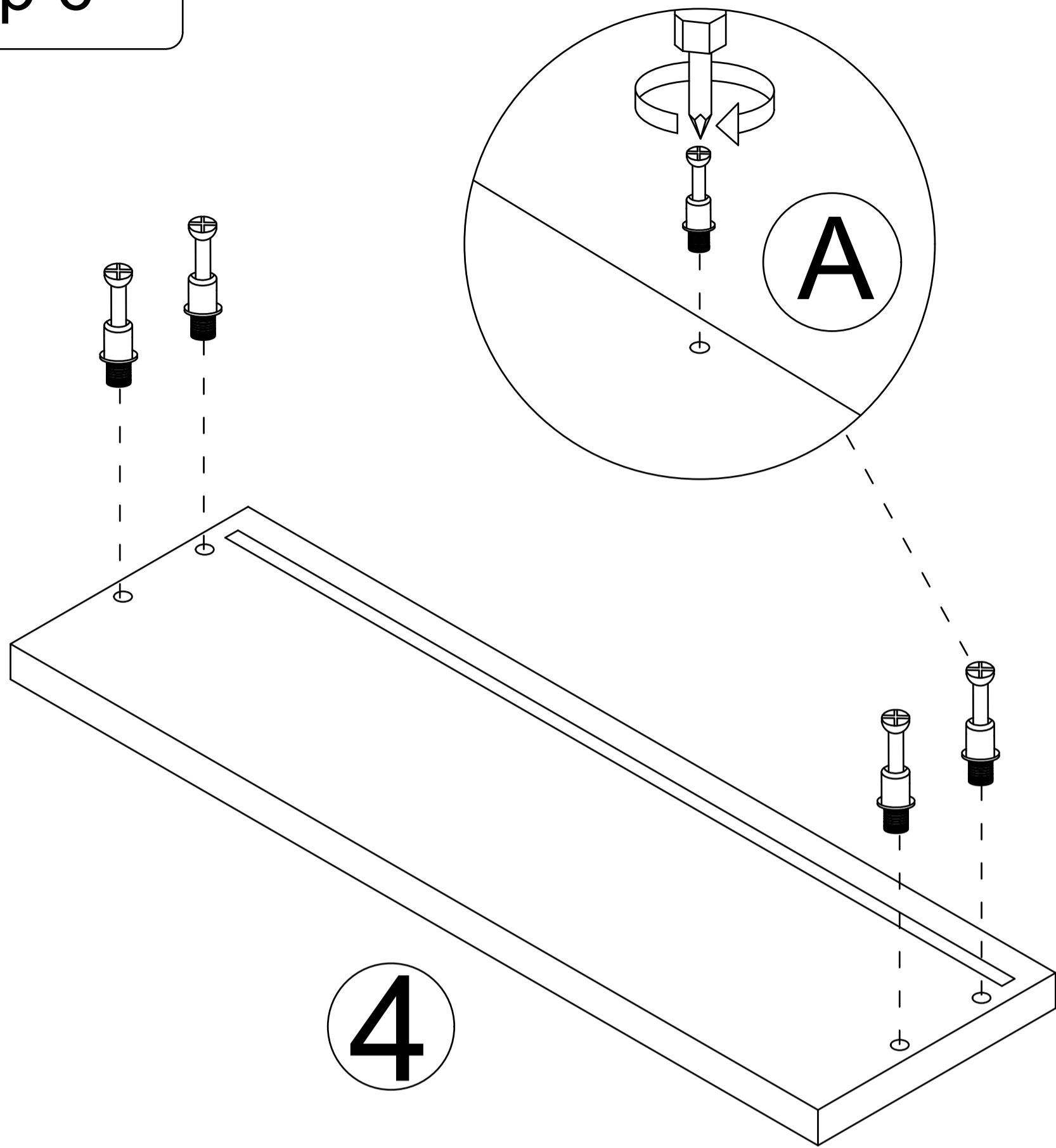
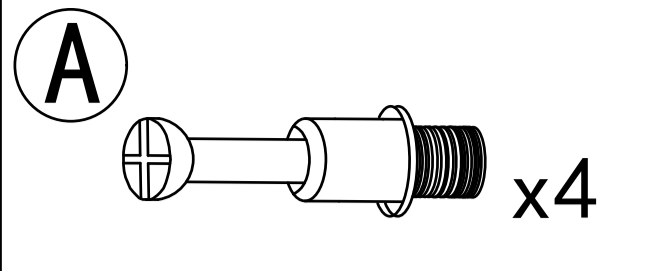
Step 4



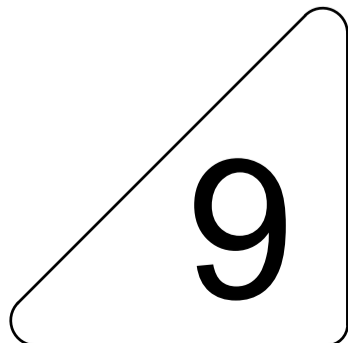
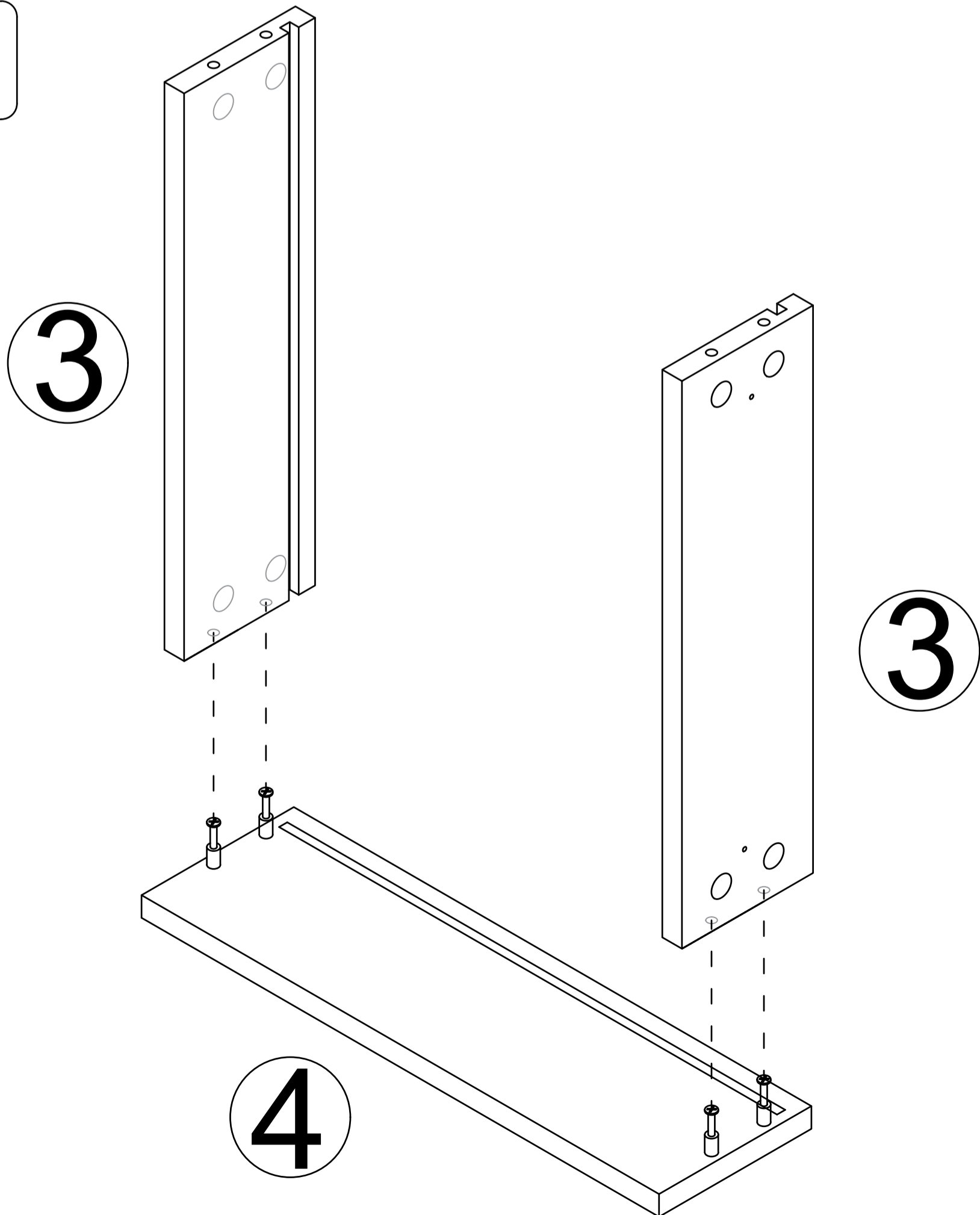
Step 5



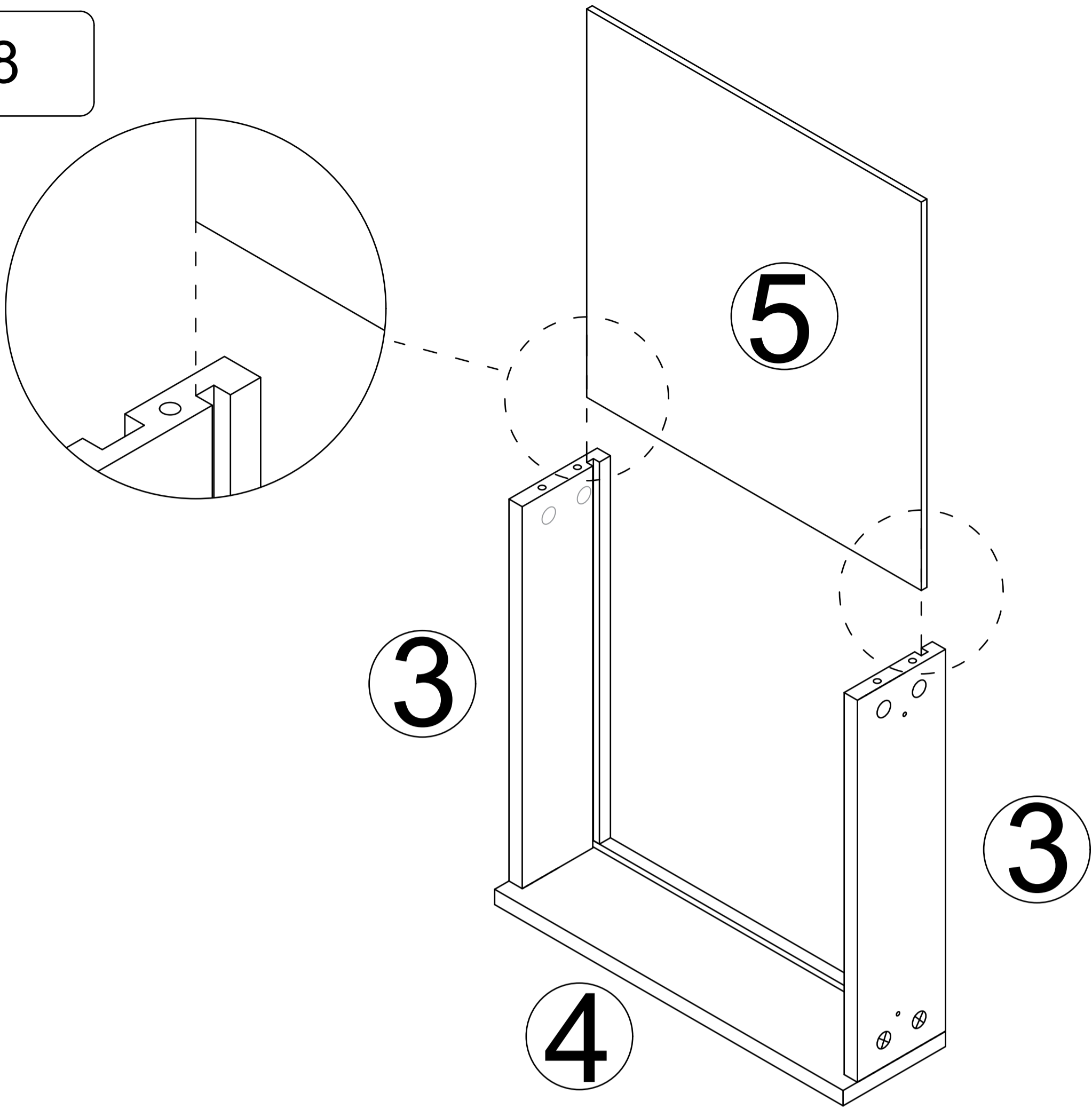
Step 6



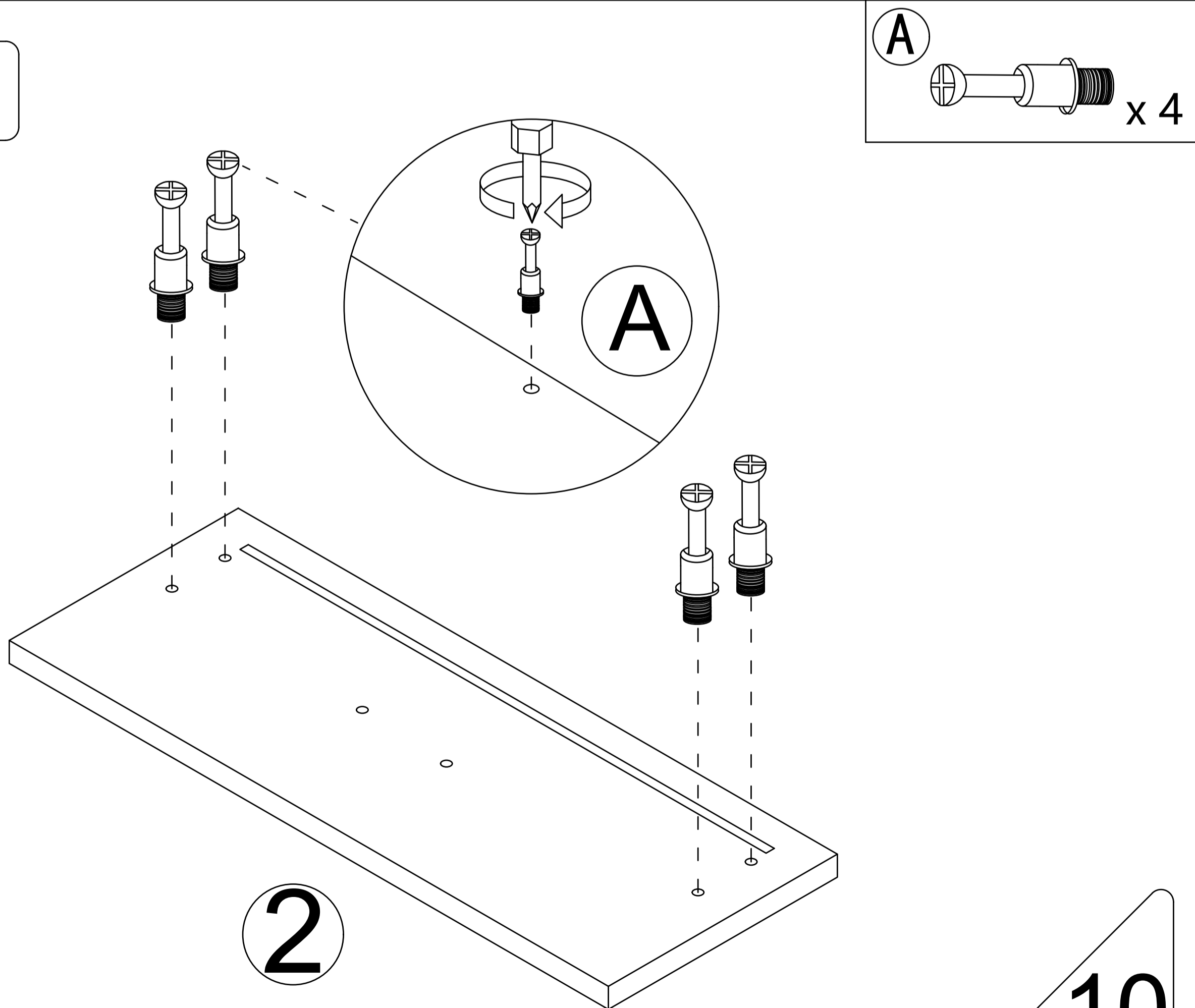
Step 7



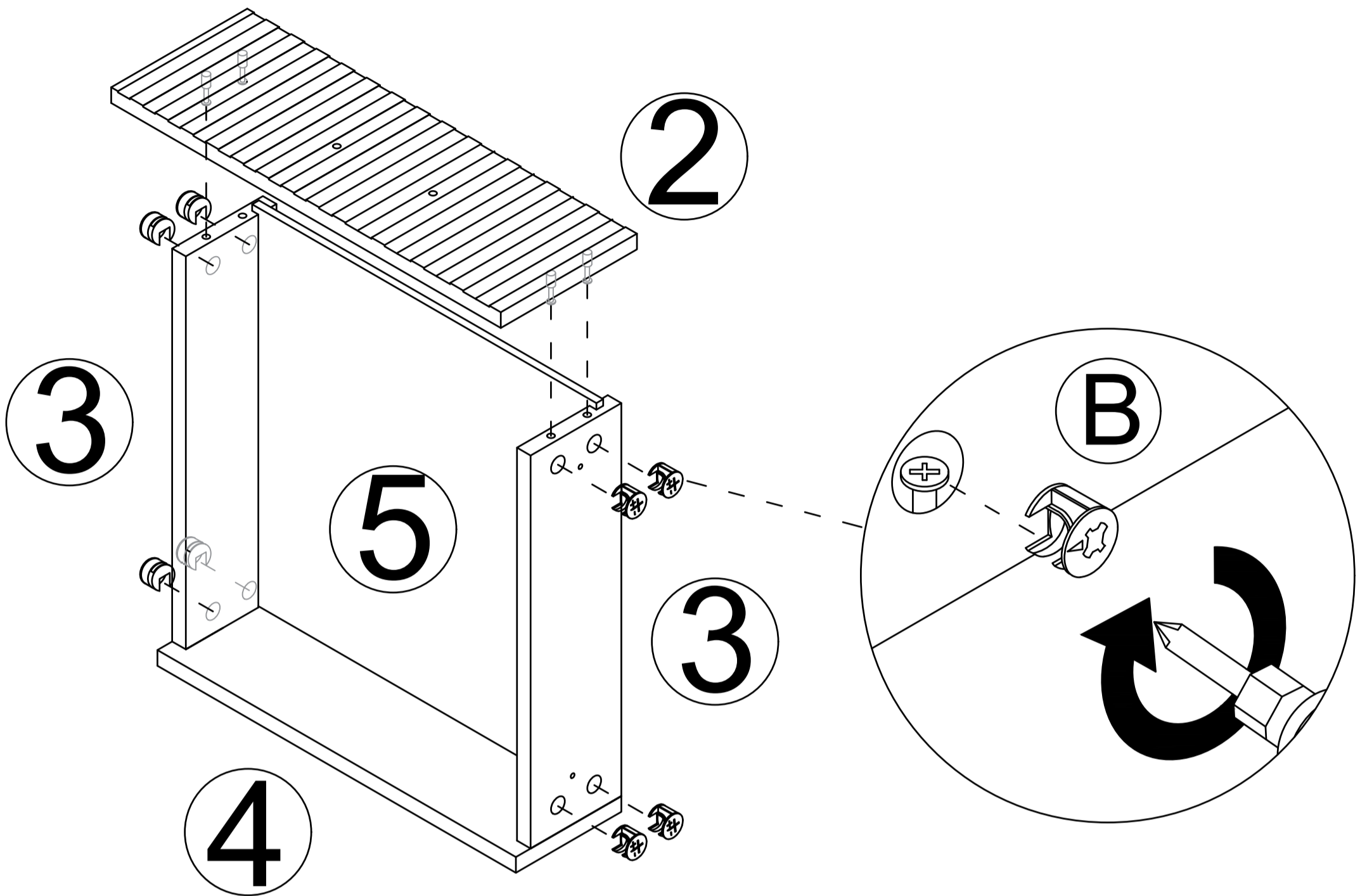
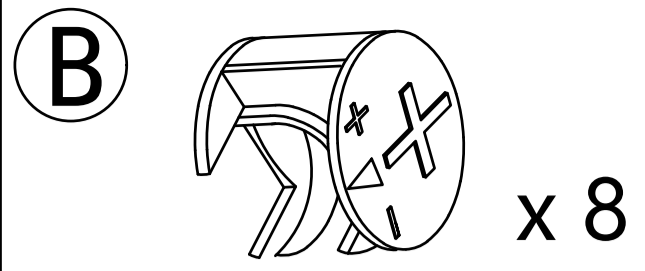
Step 8



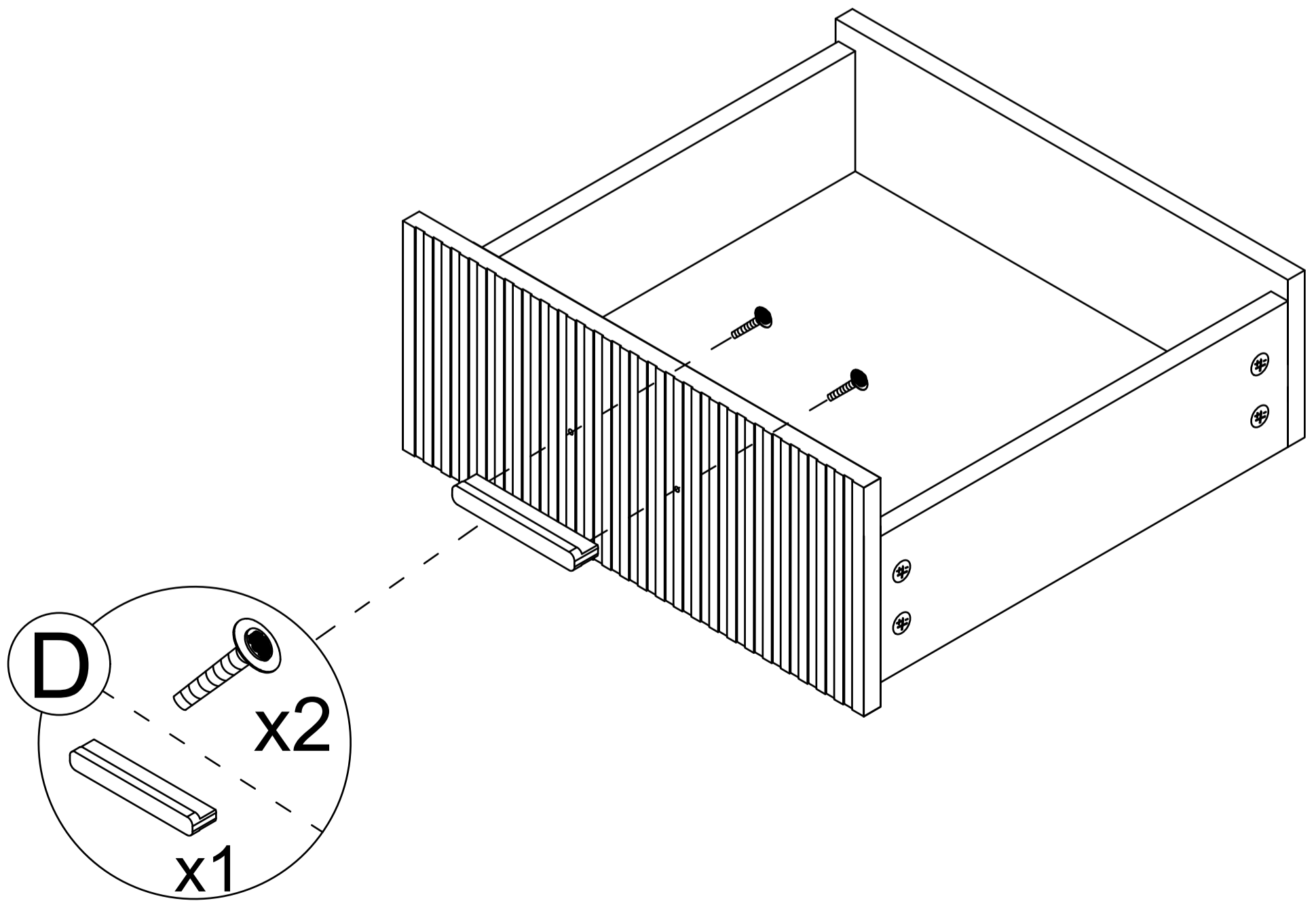
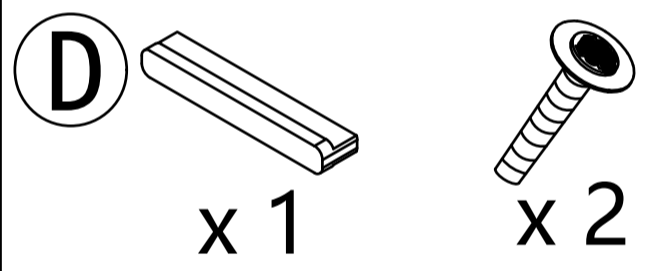
Step 9



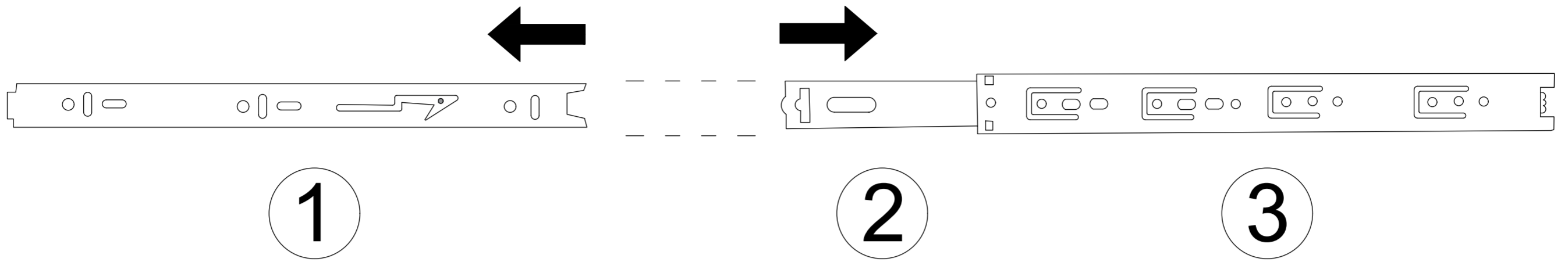
Step 10



Step 11

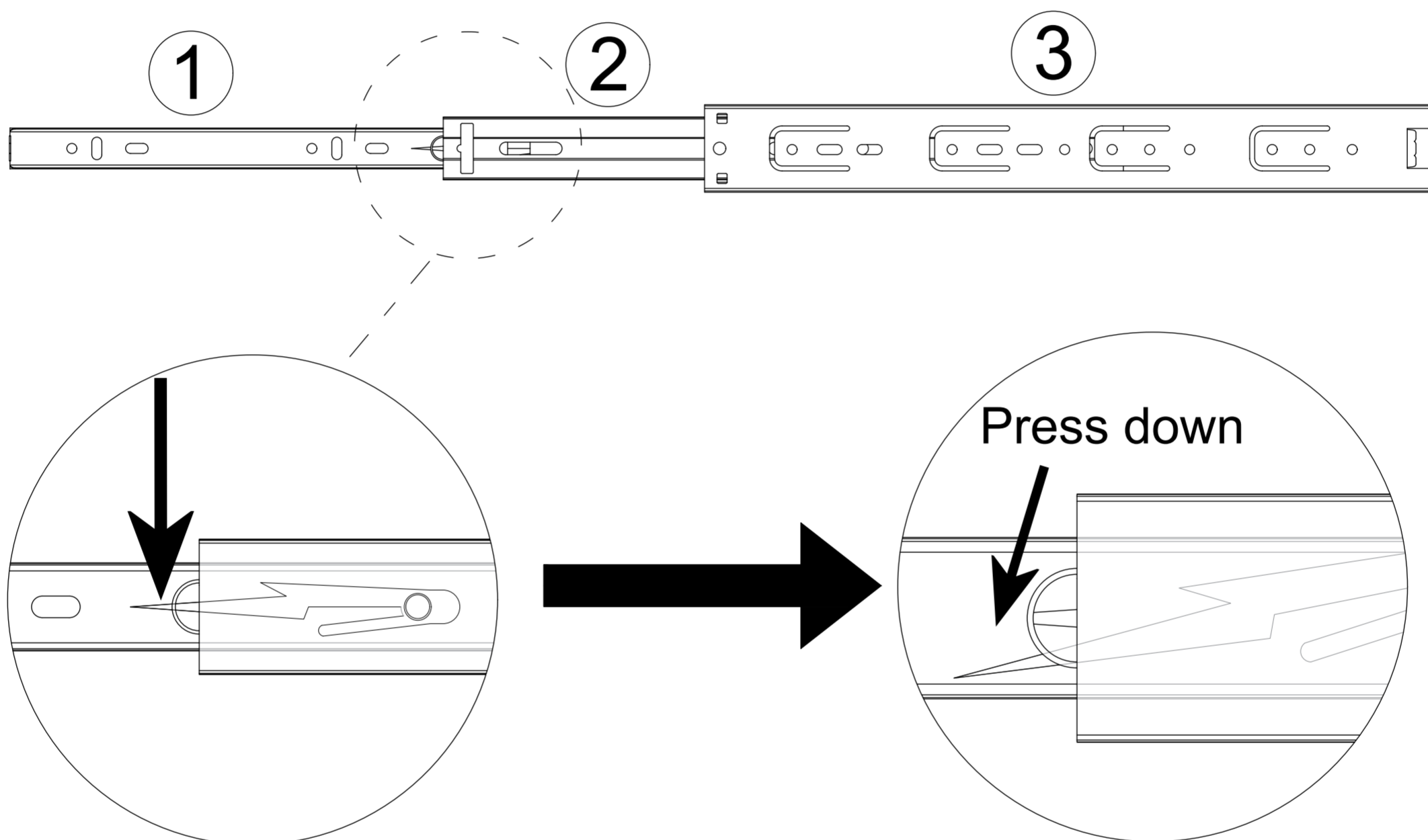


Drawer rail breakdown diagram



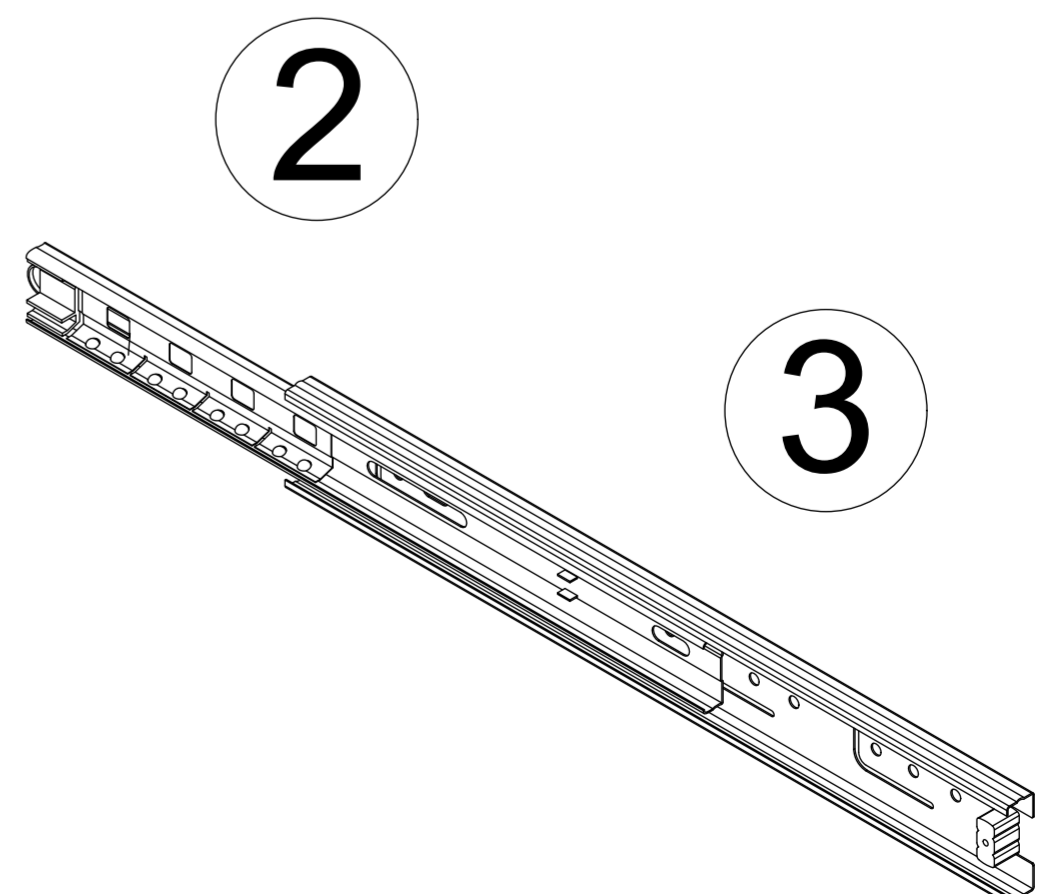
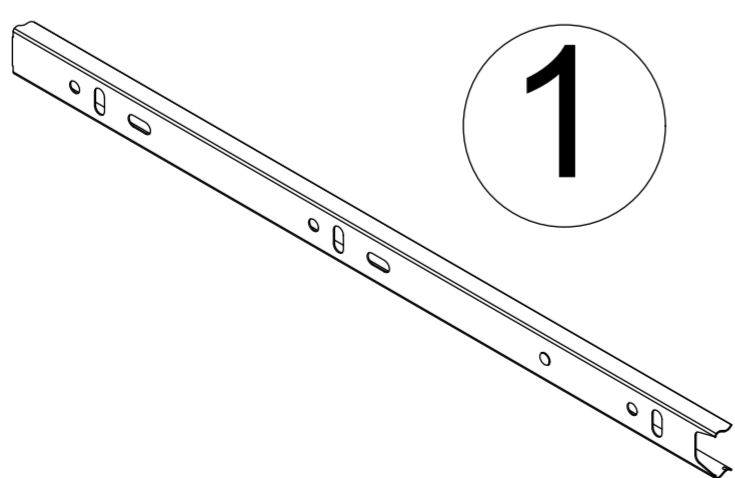
① Dismantle the schematic diagram

Step 1 : Pull the rails apart

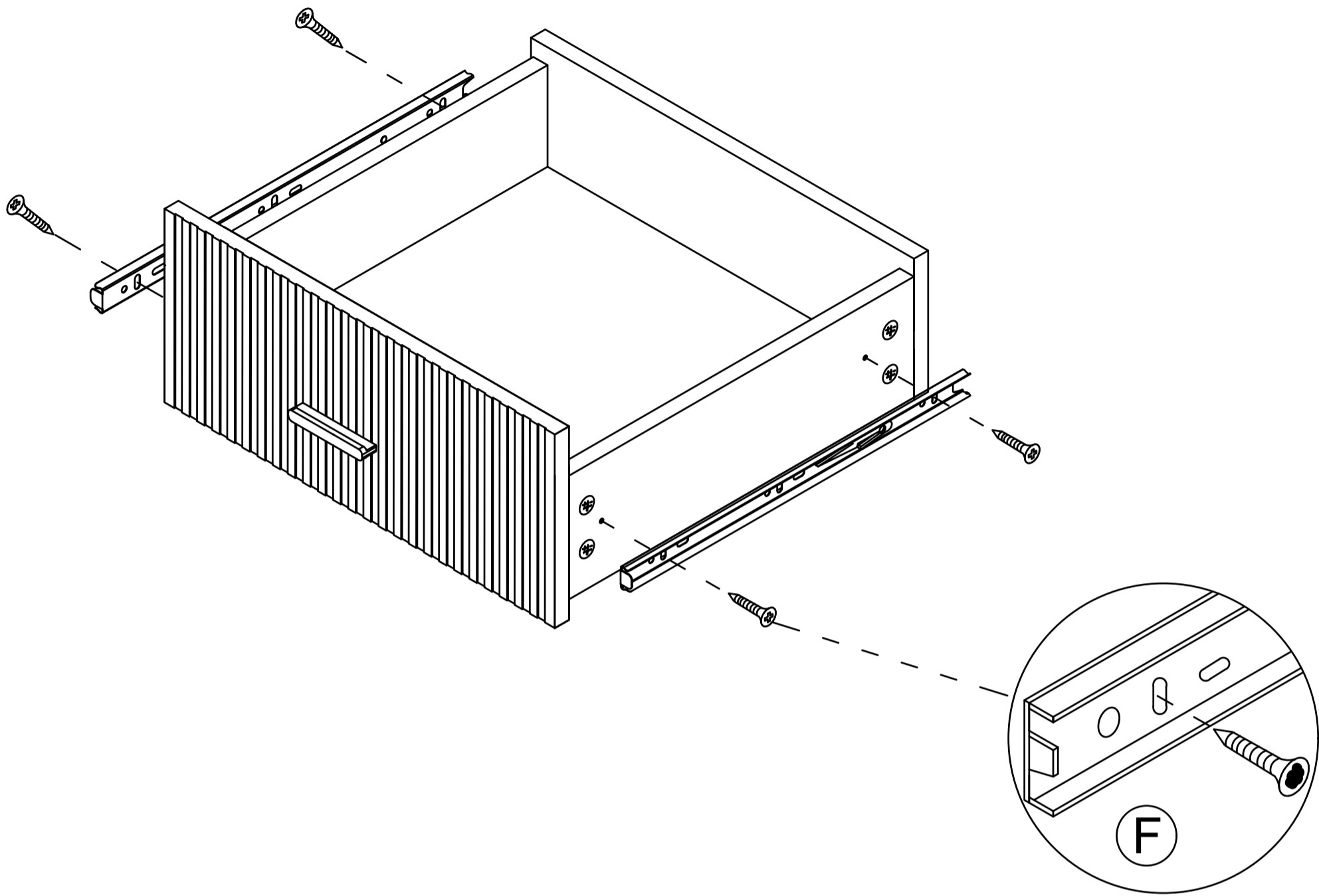
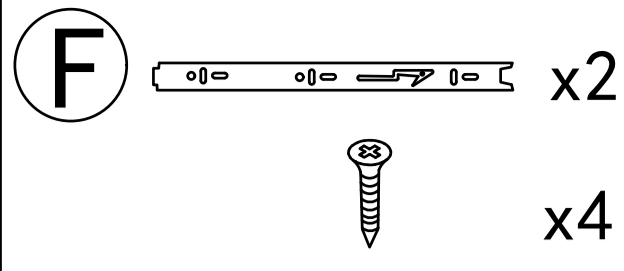
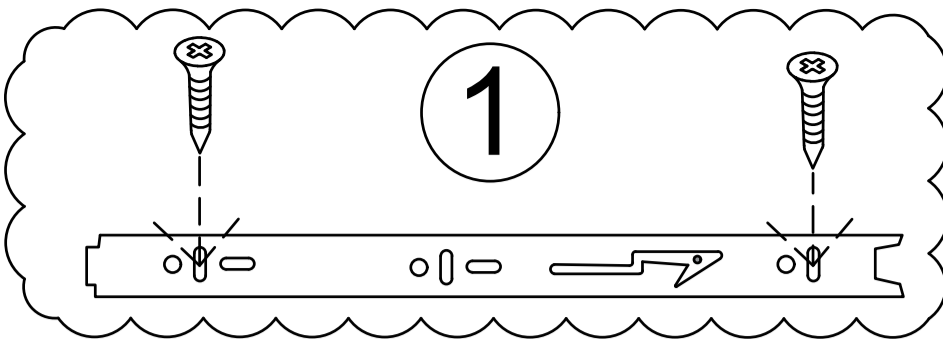


Step 2 : Press the nylon button and pull out ①.

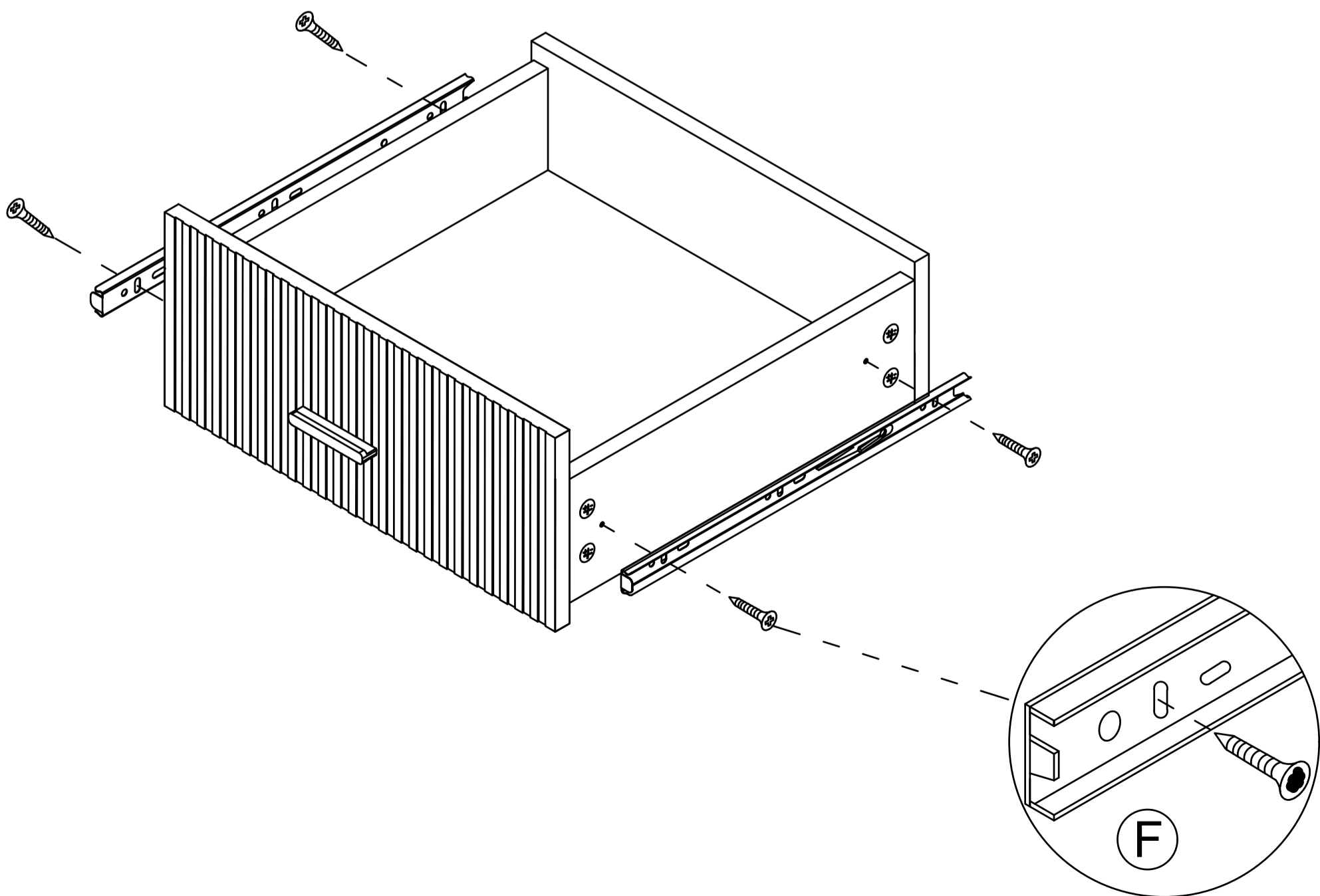
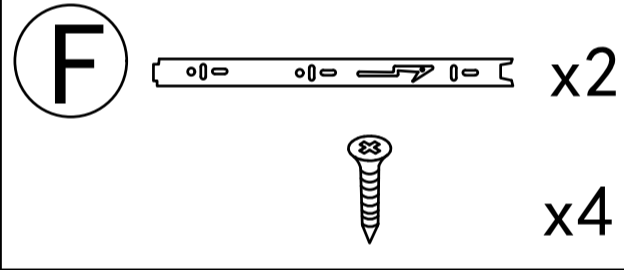
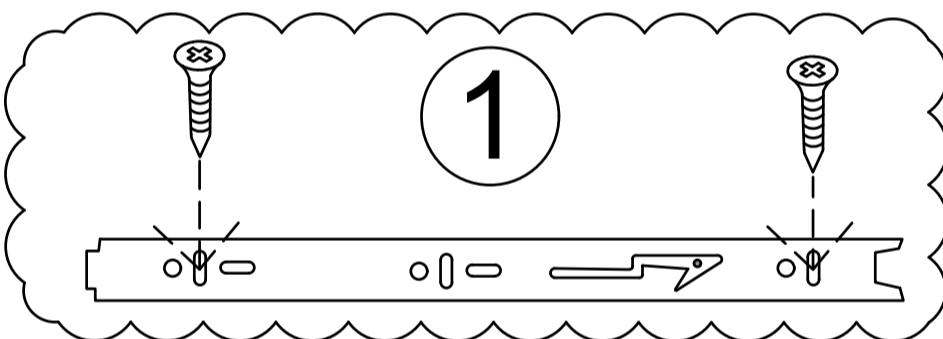
Drawer rail decomposition completed schematic diagram



Step 12

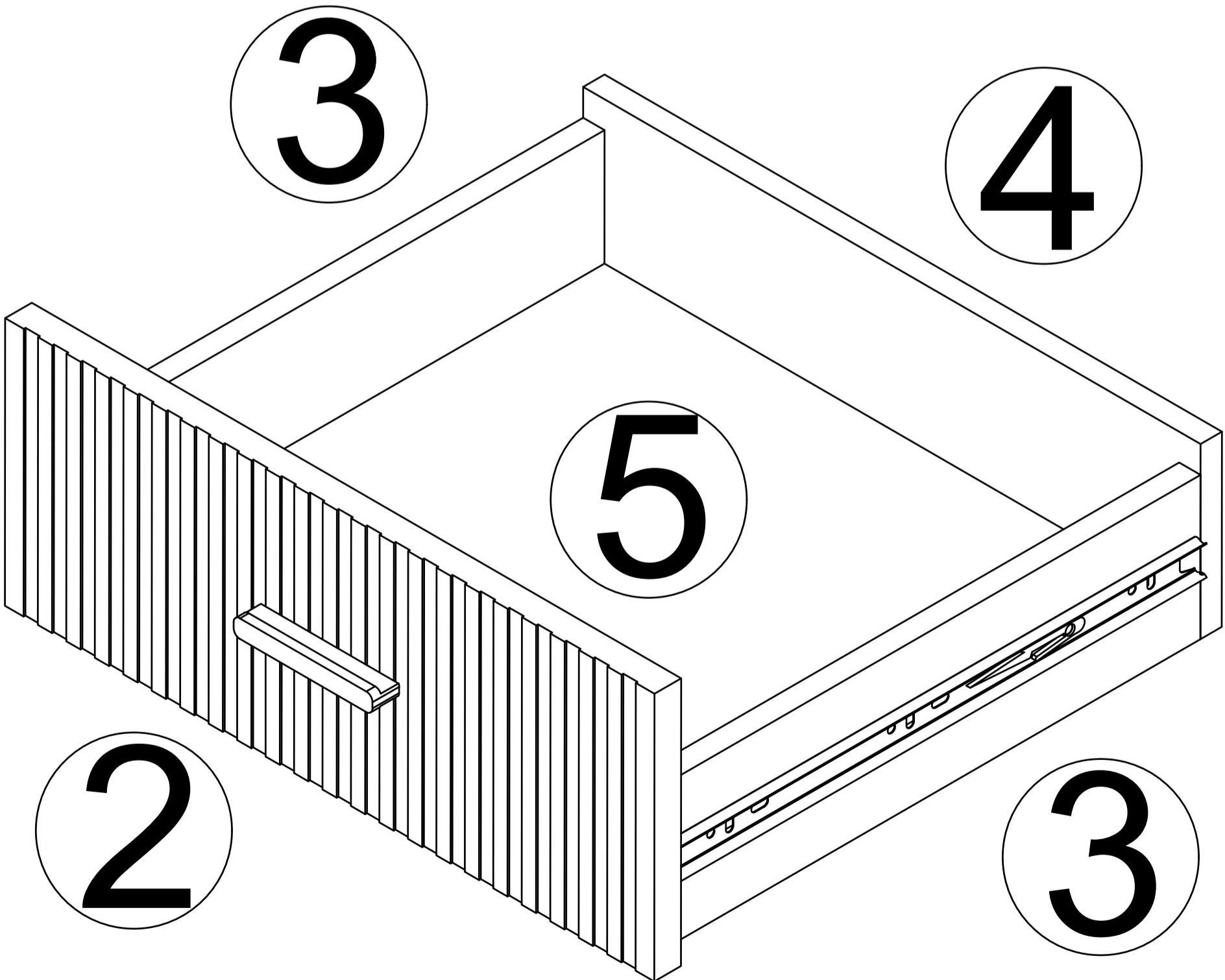
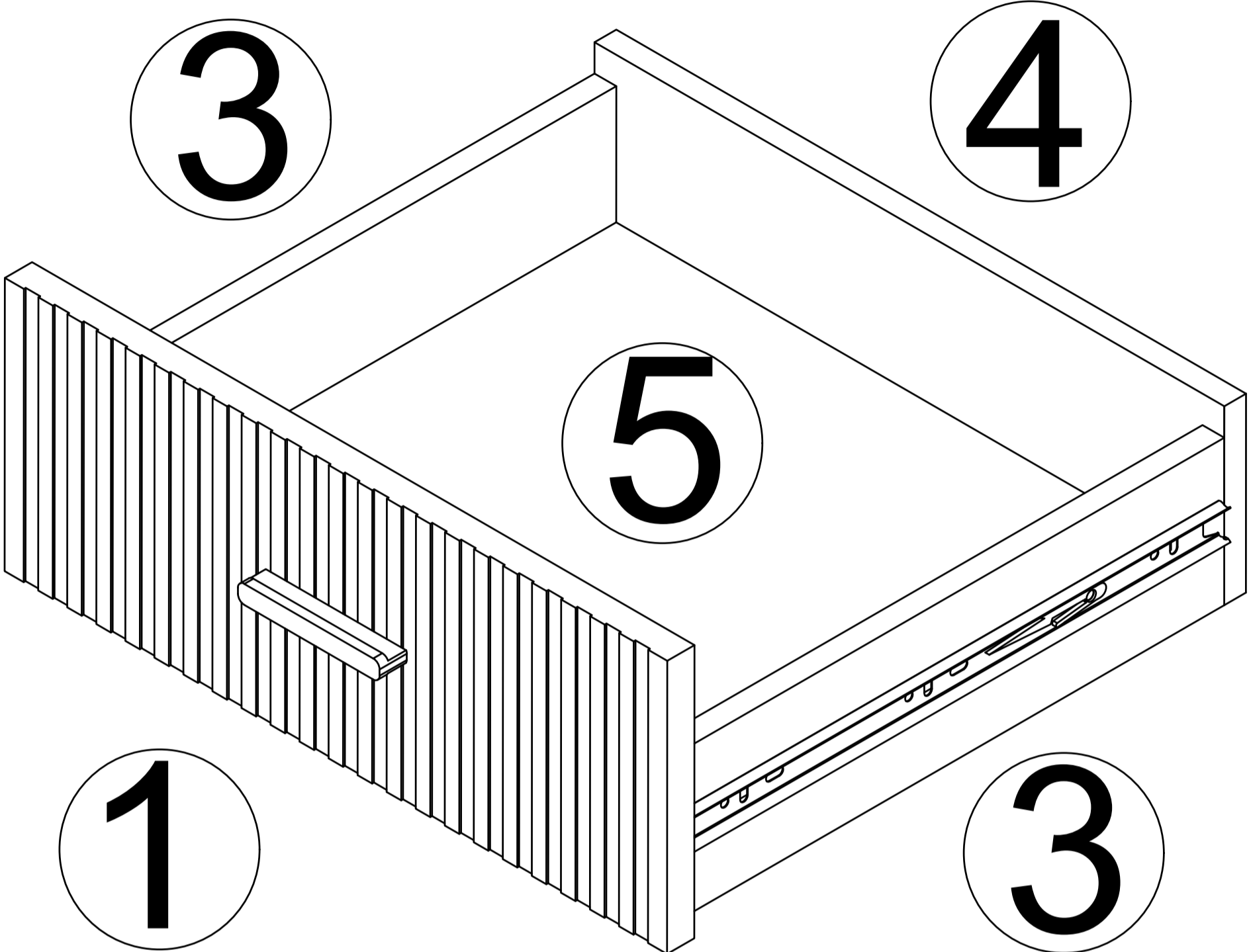


Step 13

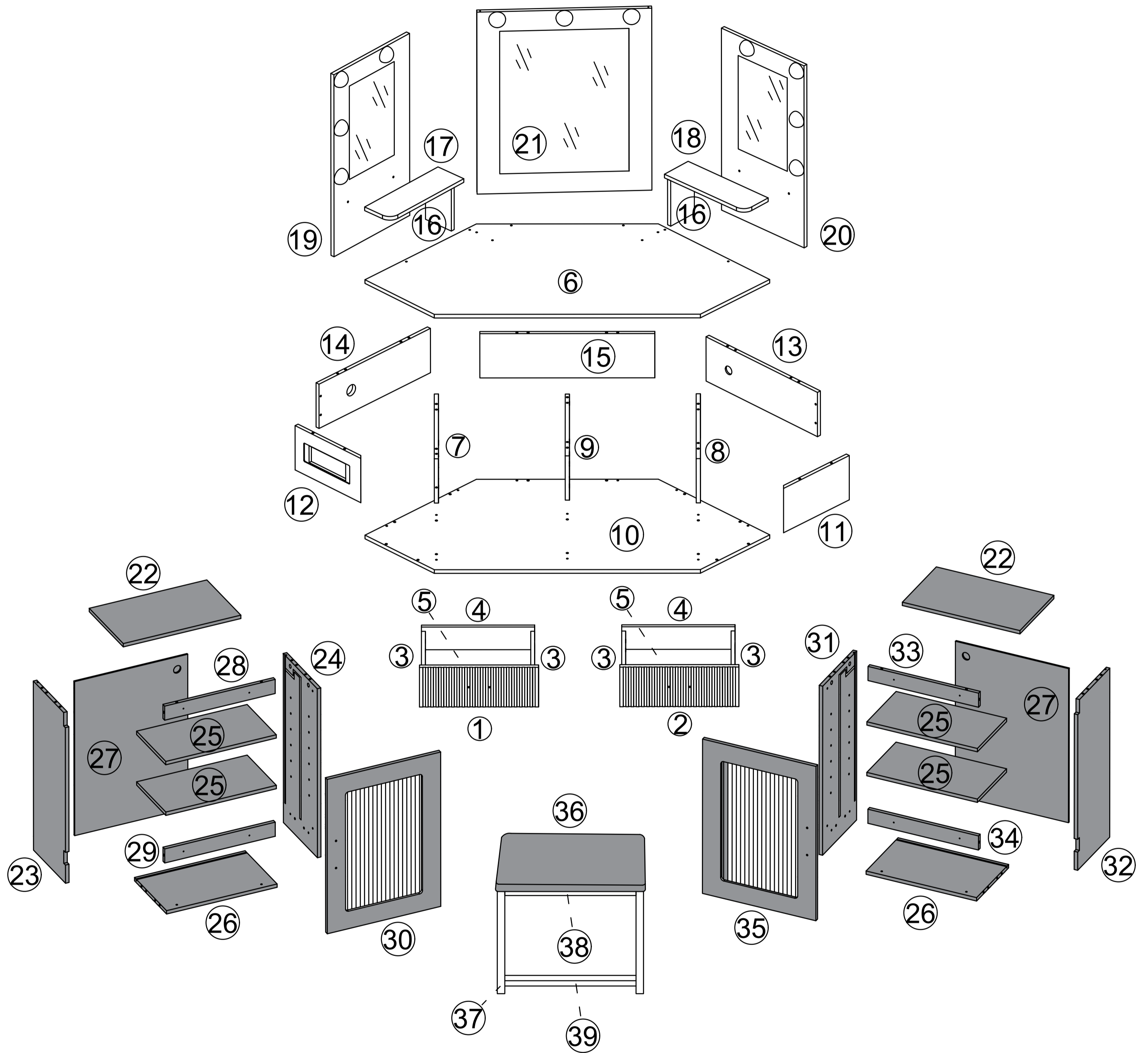


Step 14

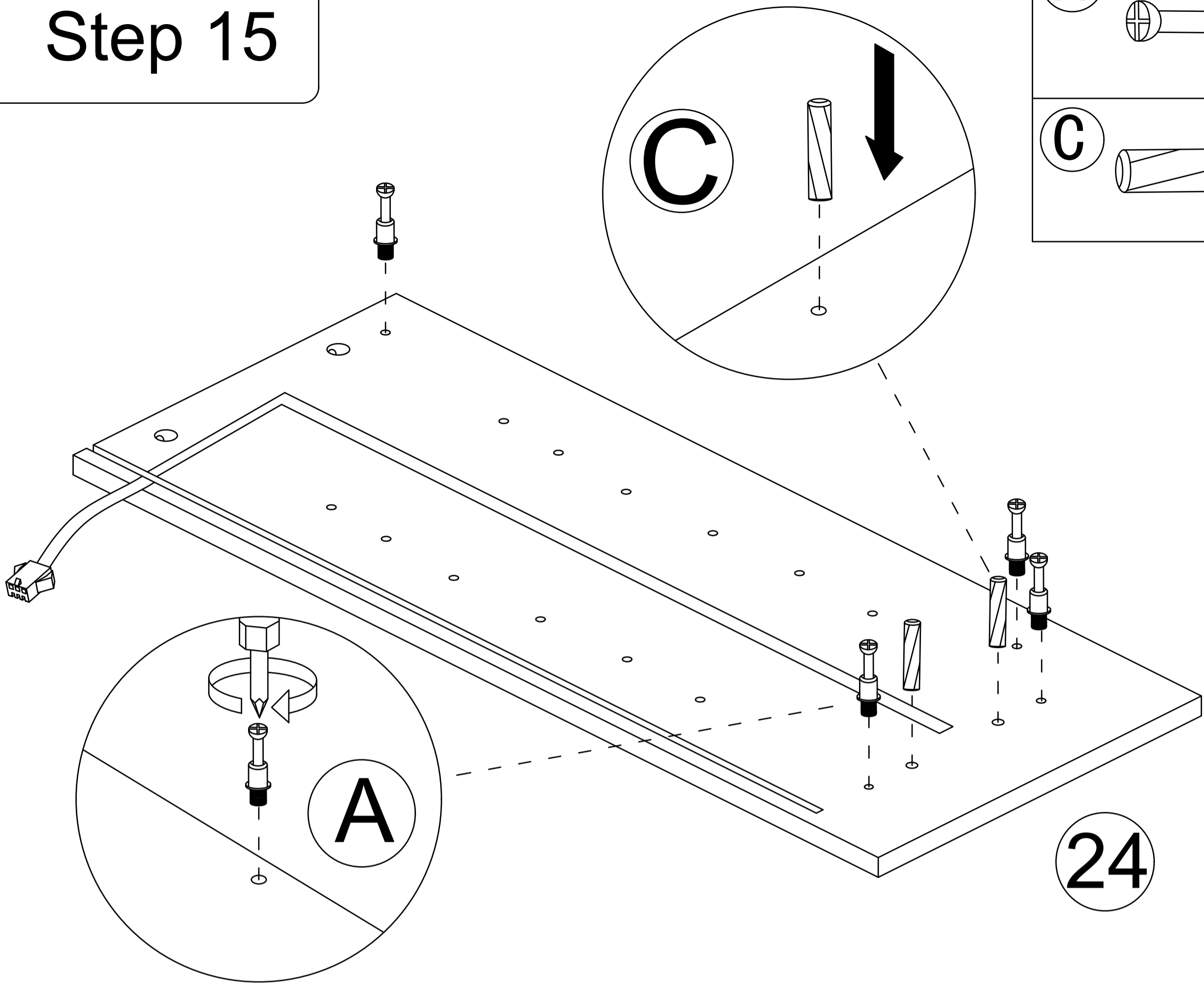
Installation complete

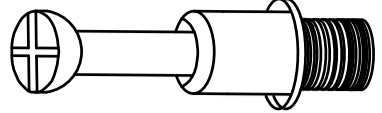



Product structure decomposition



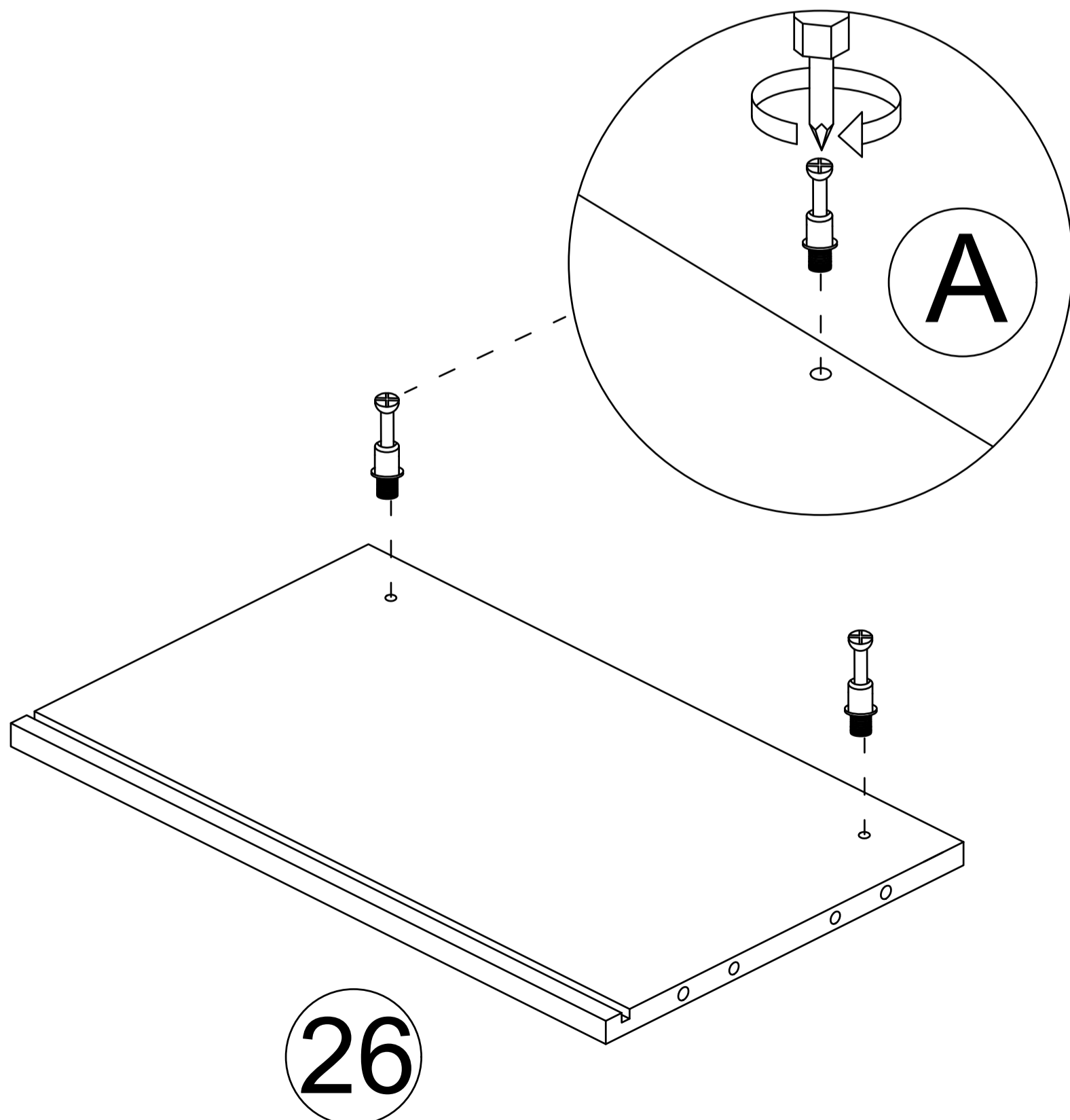
Step 15

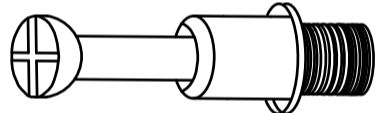


- A**  x 4
- C**  x 2

24

Step 16

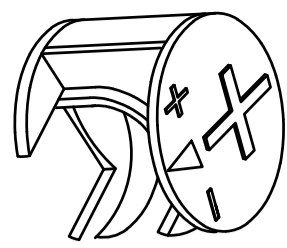


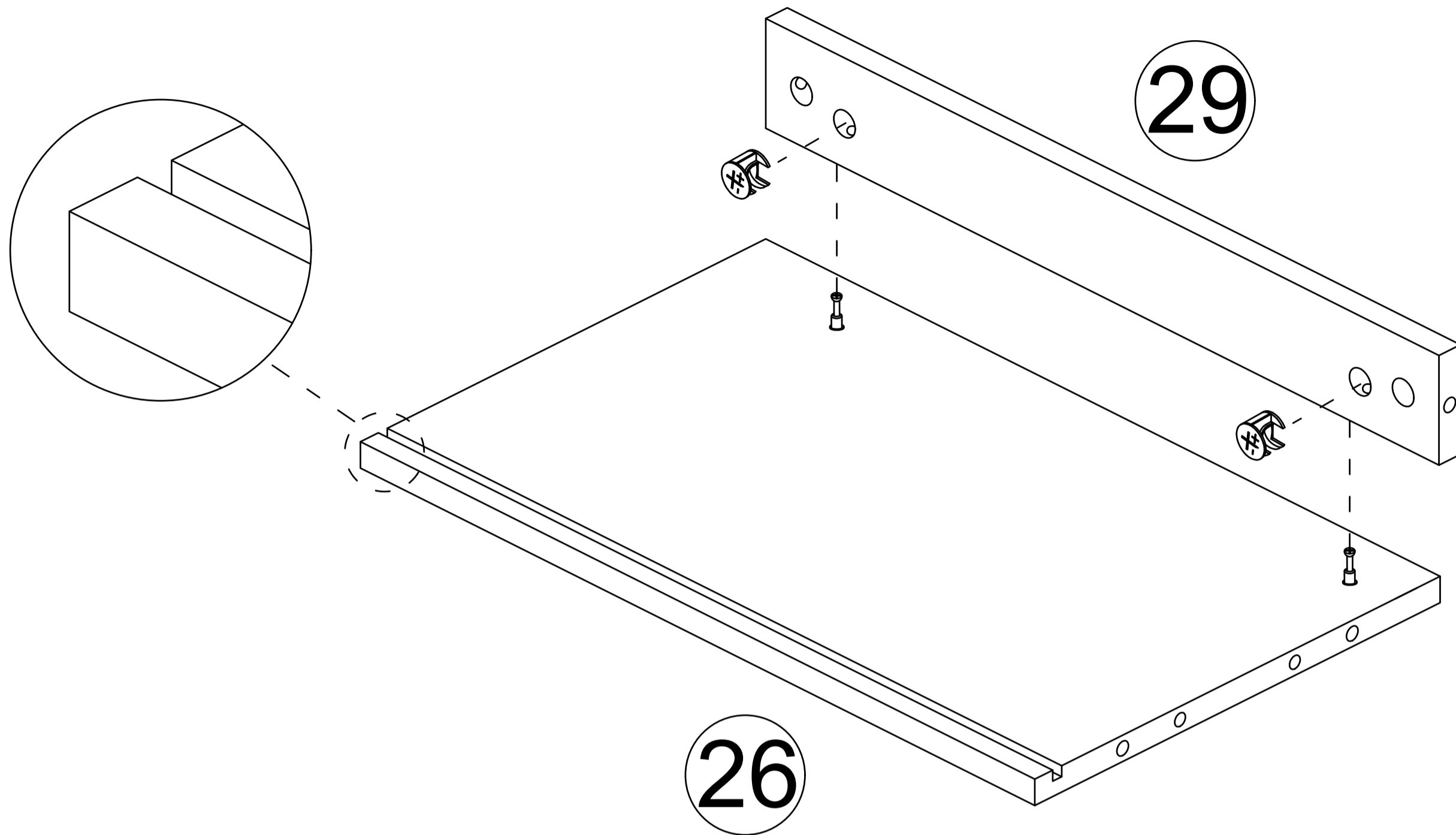
- A**  x 2

26

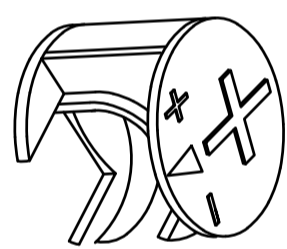
15

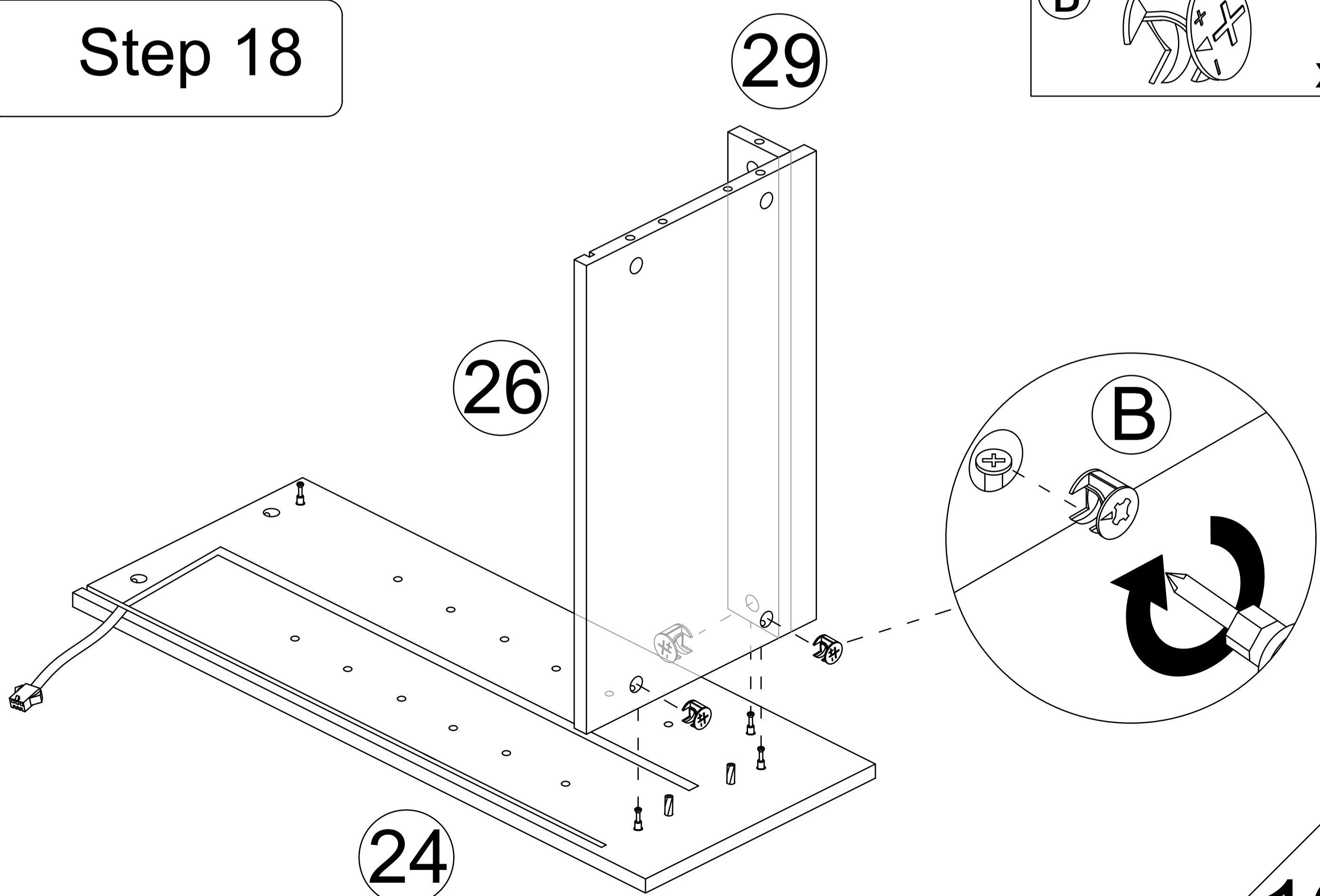
Step 17

B  x 2



Step 18

B  x 3

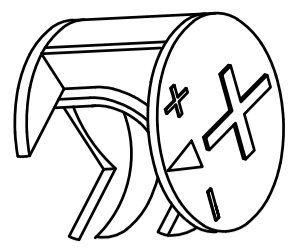


SY

16

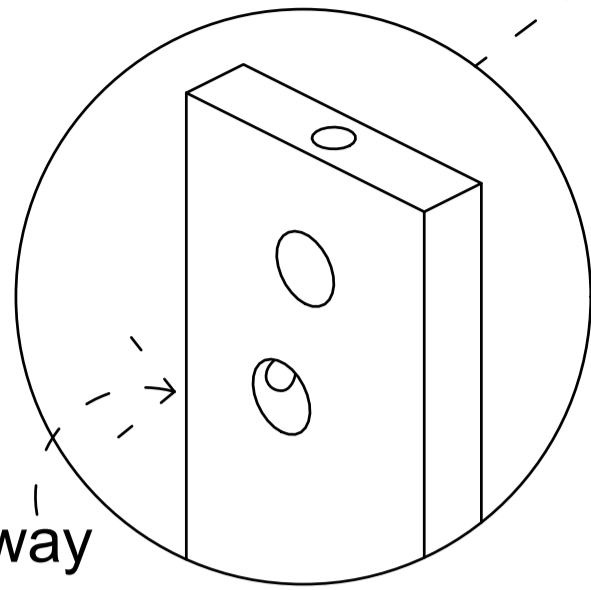
Step 19

B



x 1

Side hole facing this way

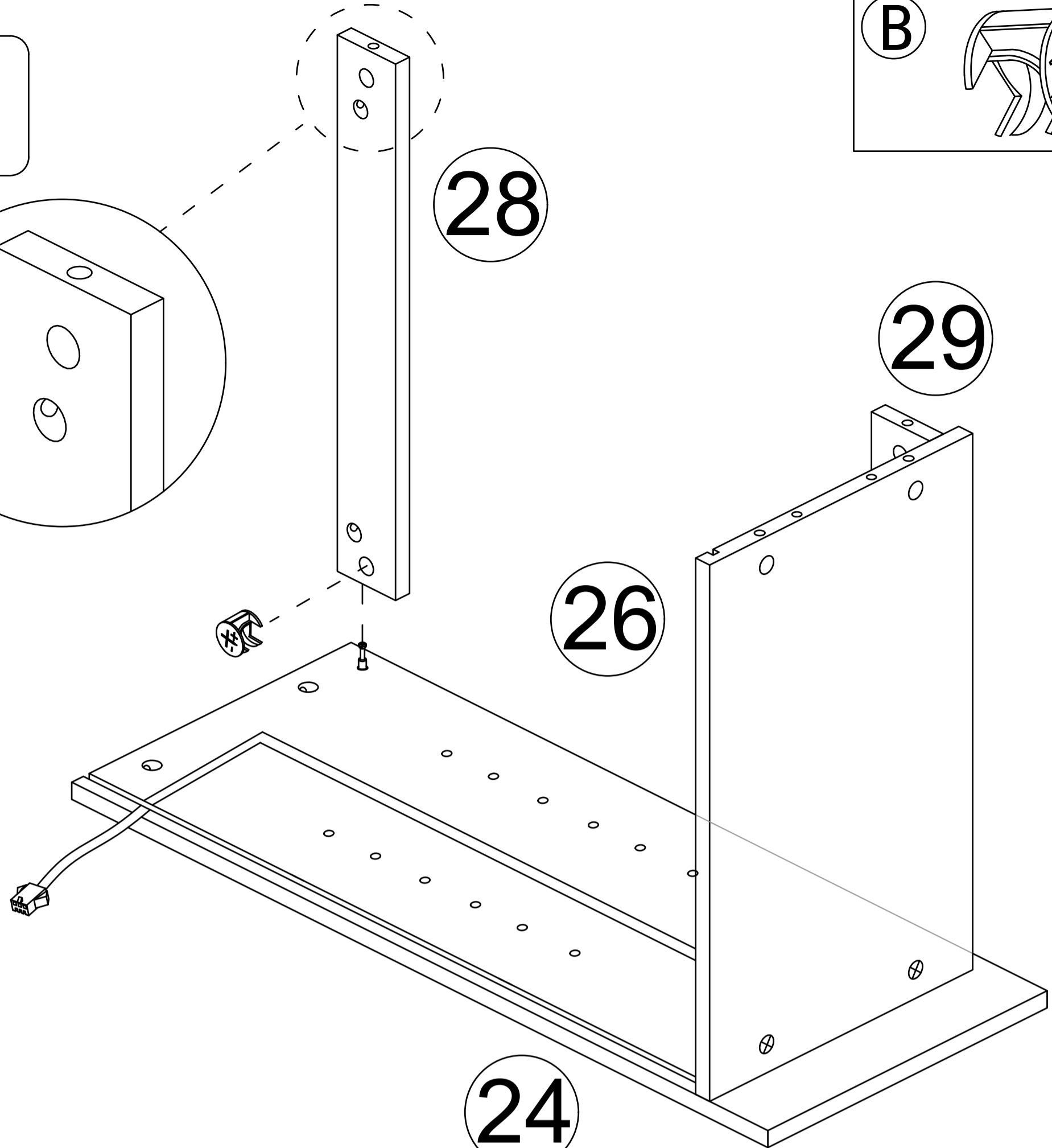


28

29

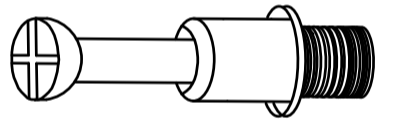
26

24

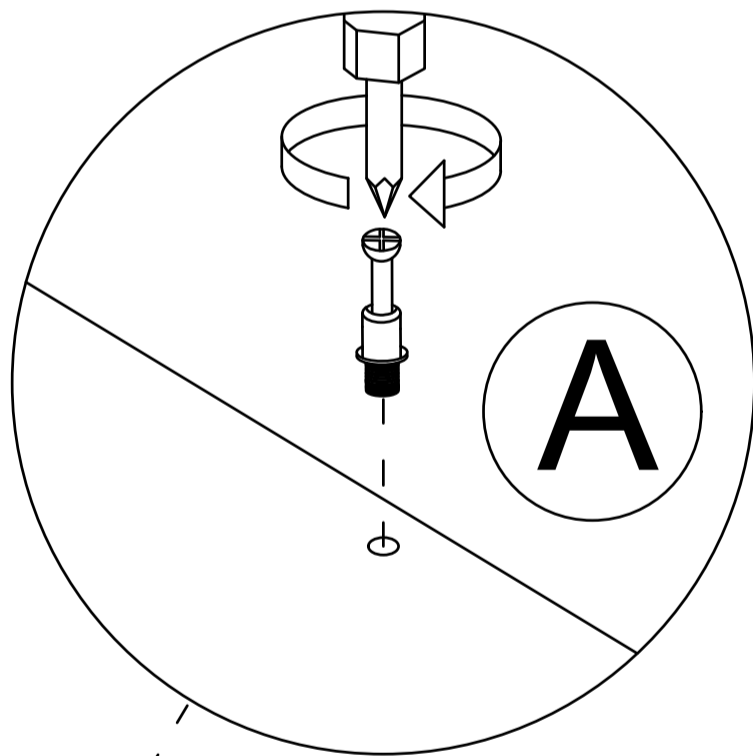


Step 20

A

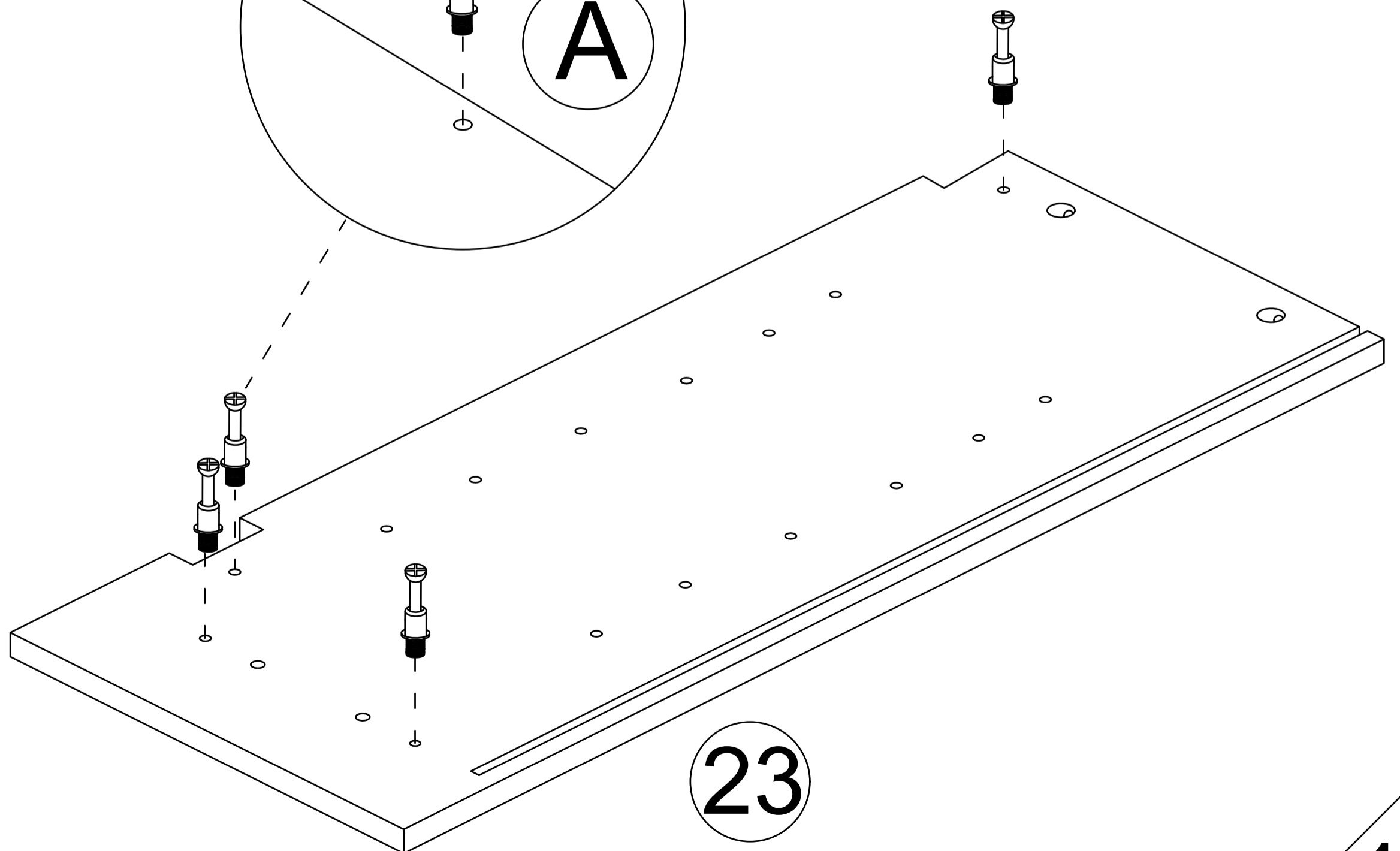


x 4



A

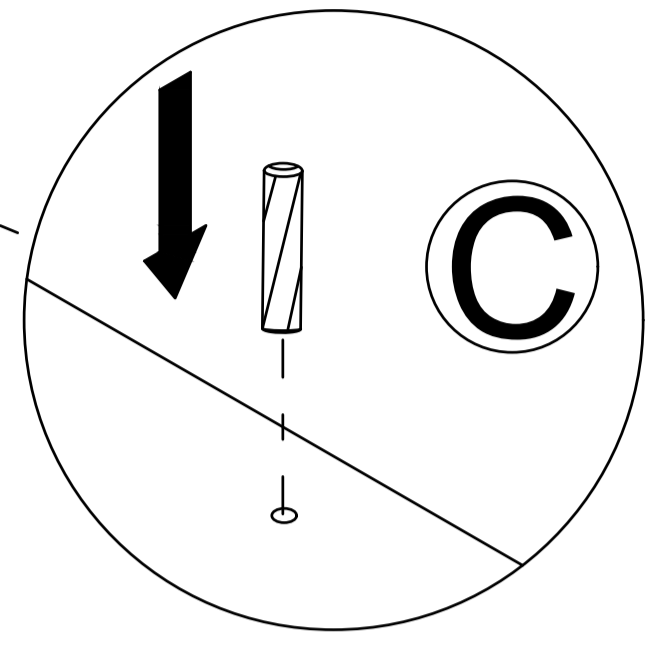
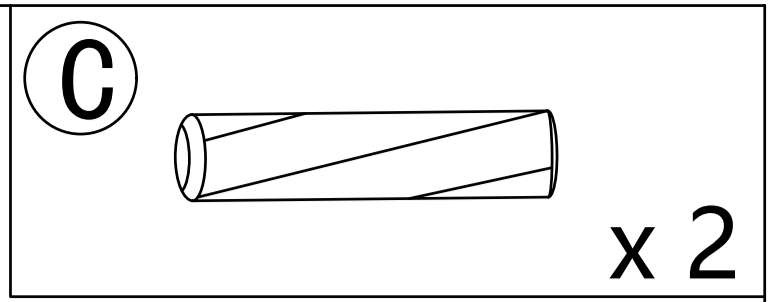
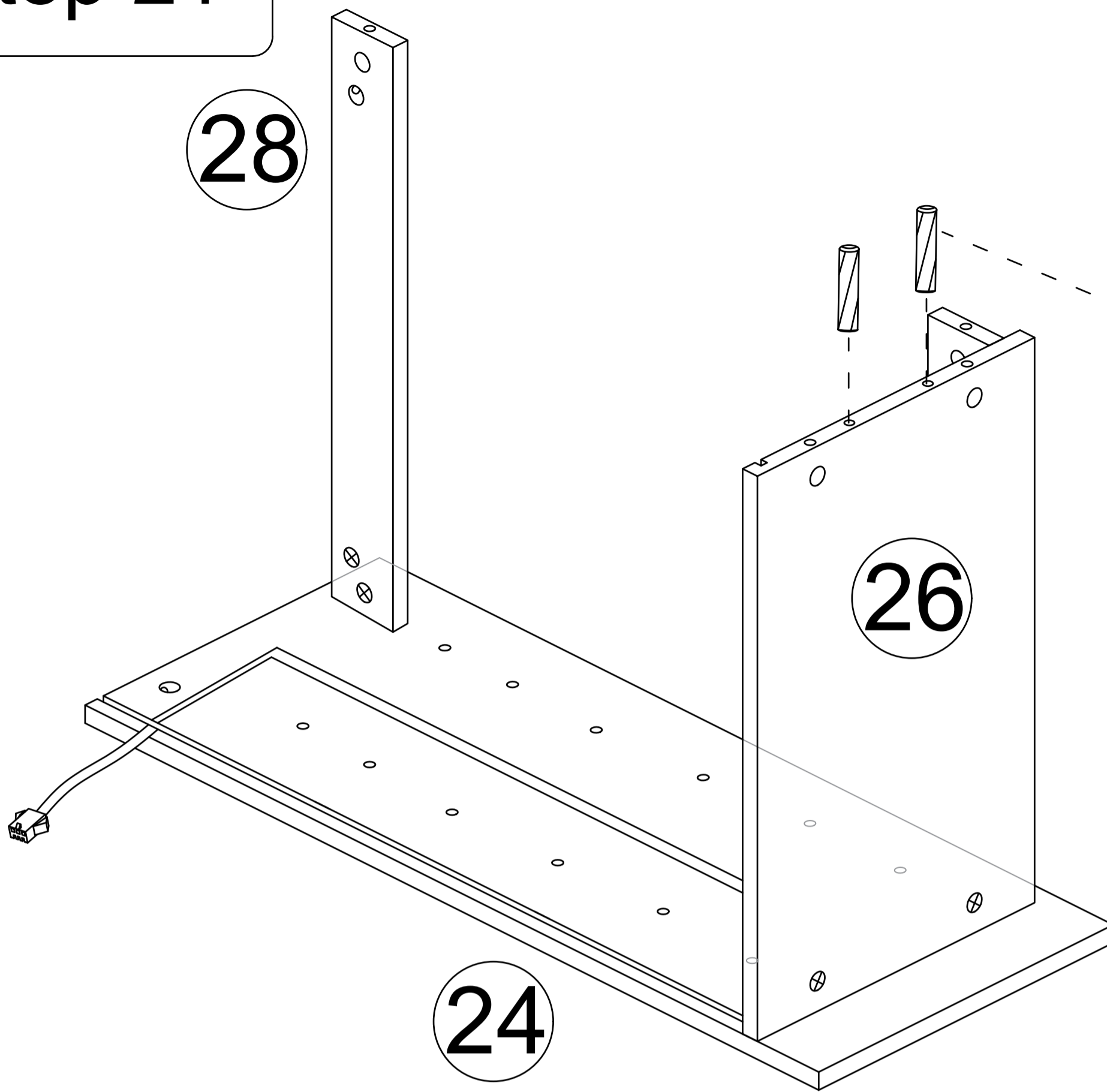
23



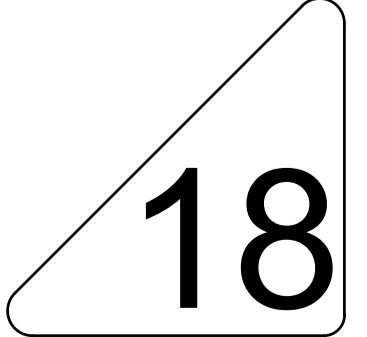
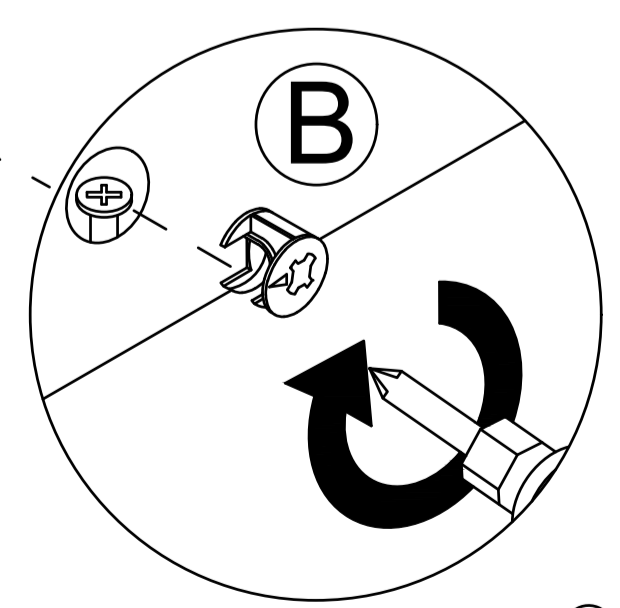
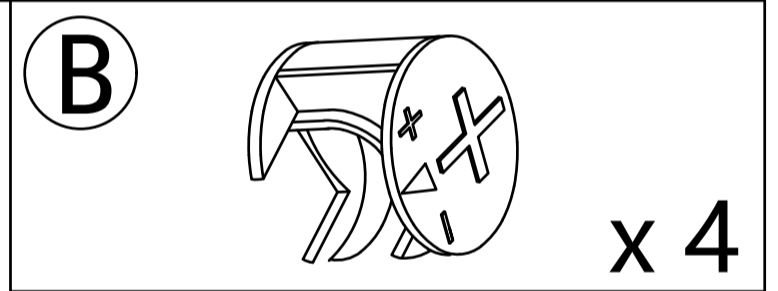
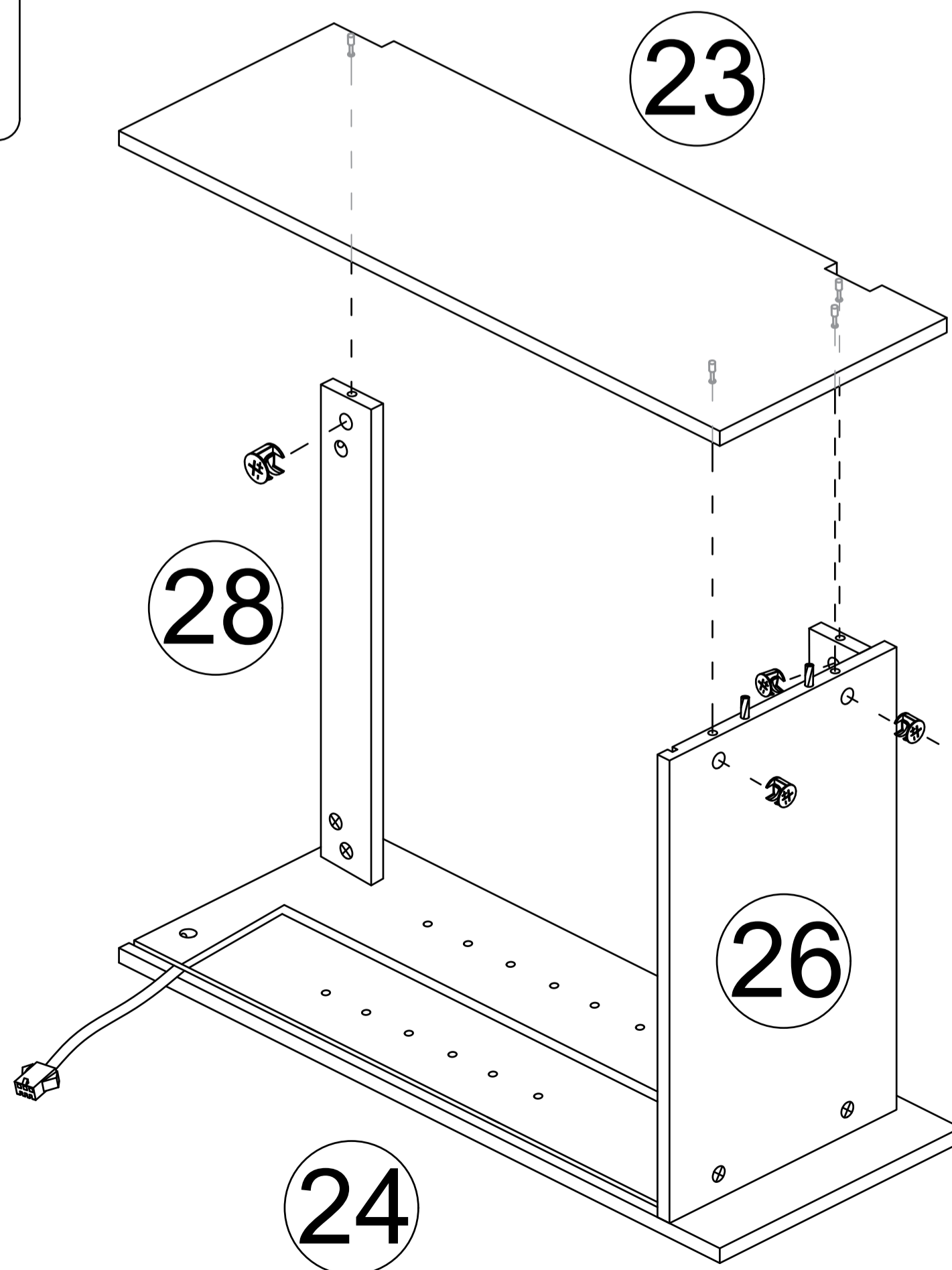
17

SY

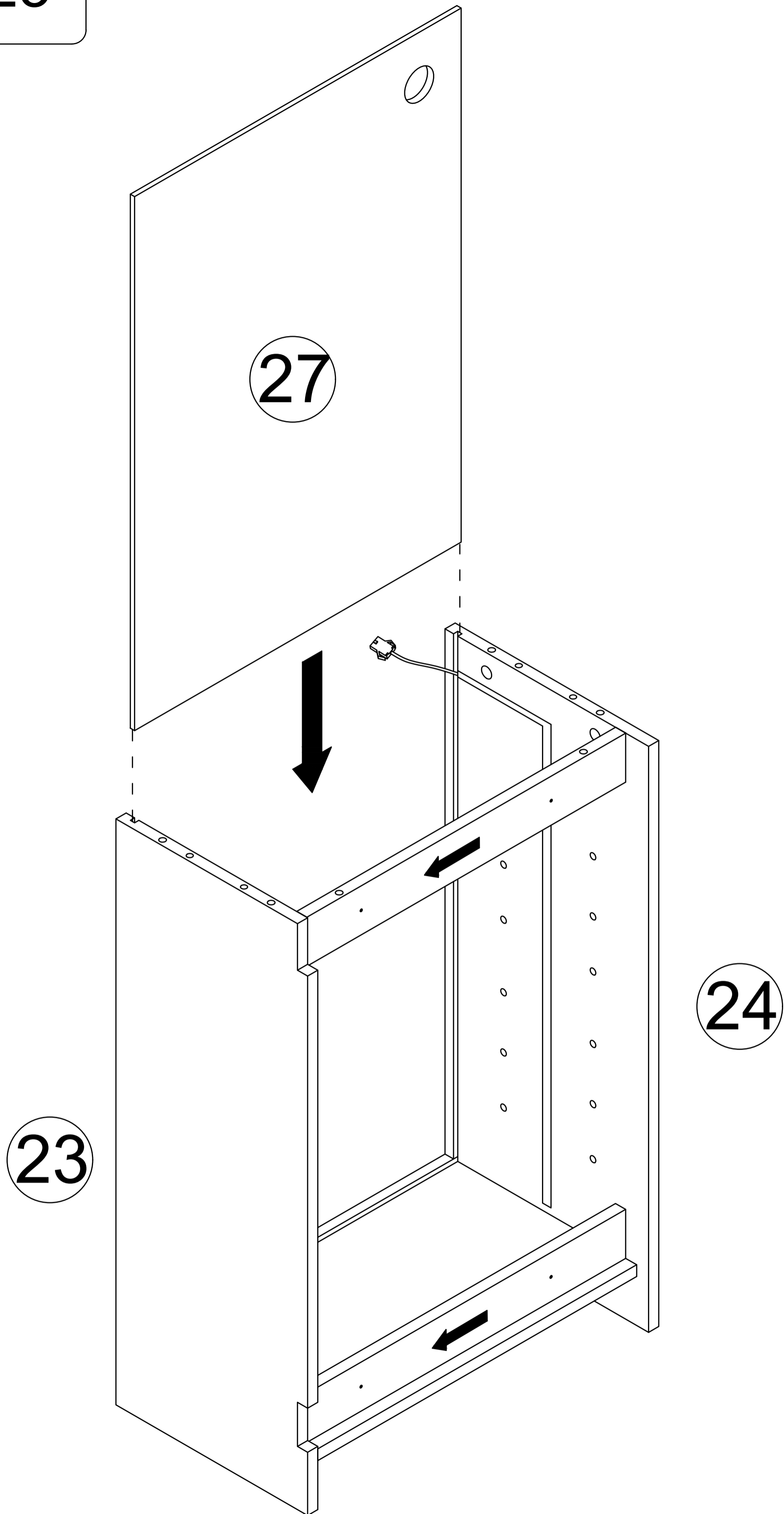
Step 21



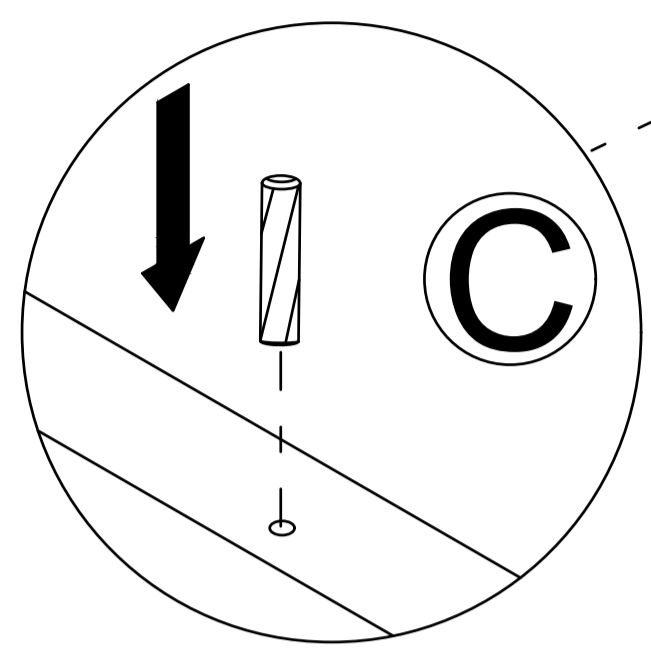
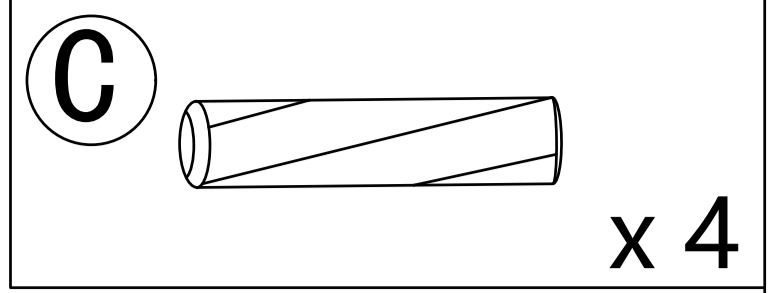
Step 22



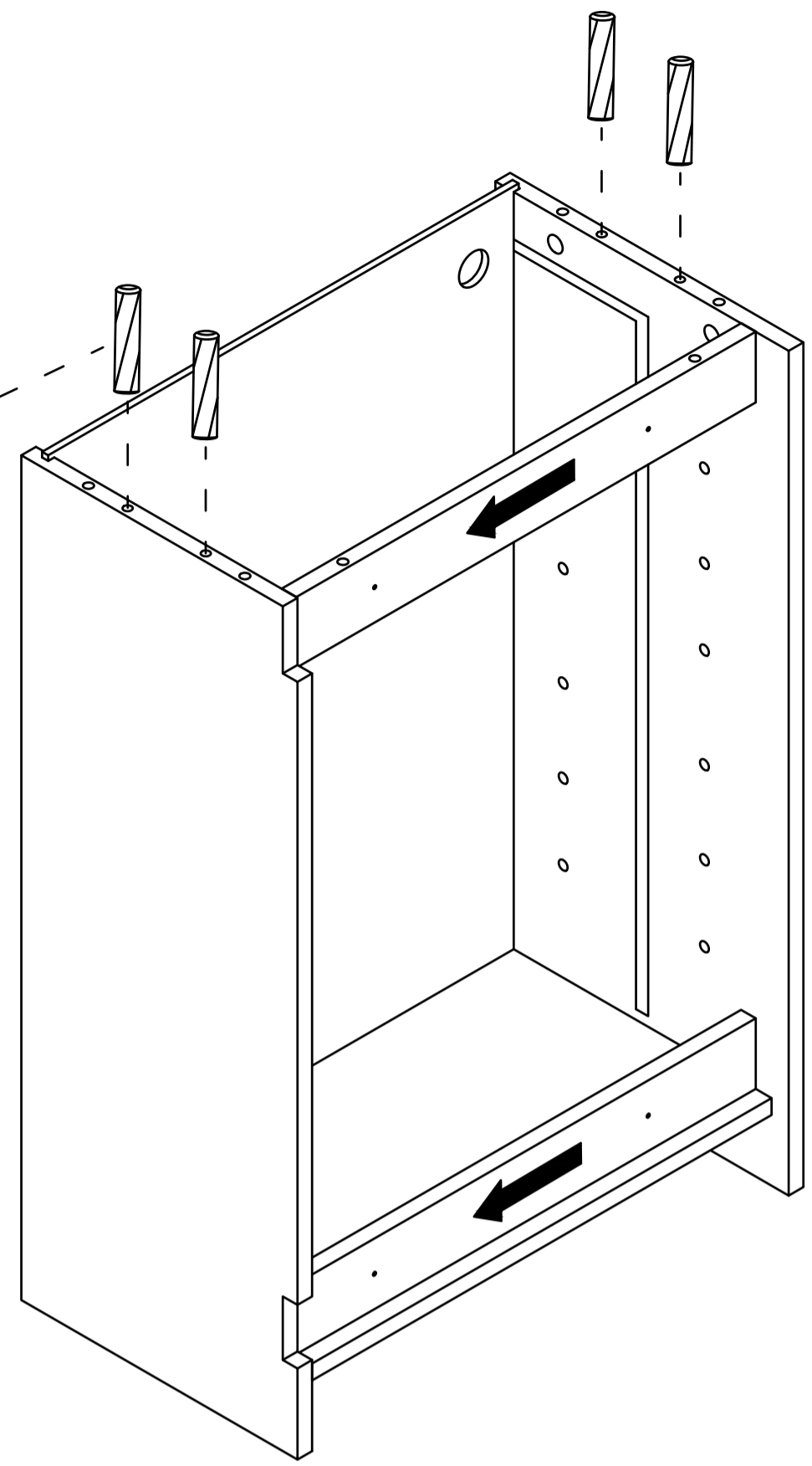
Step 23



Step 24

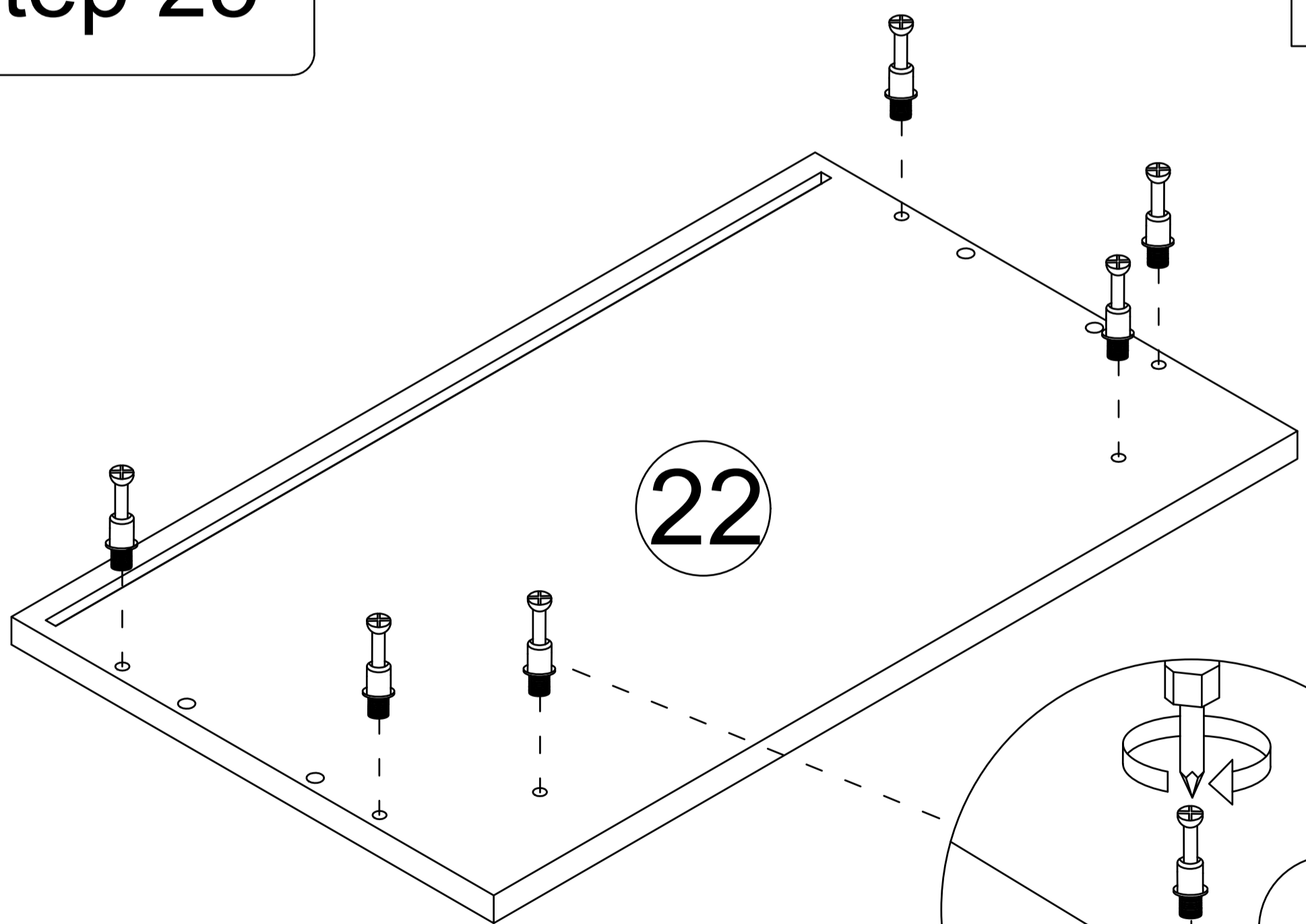
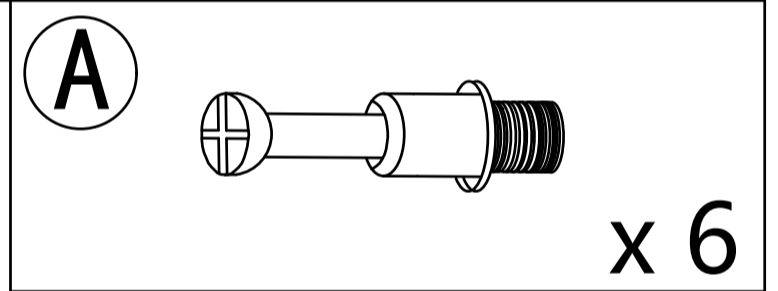


23

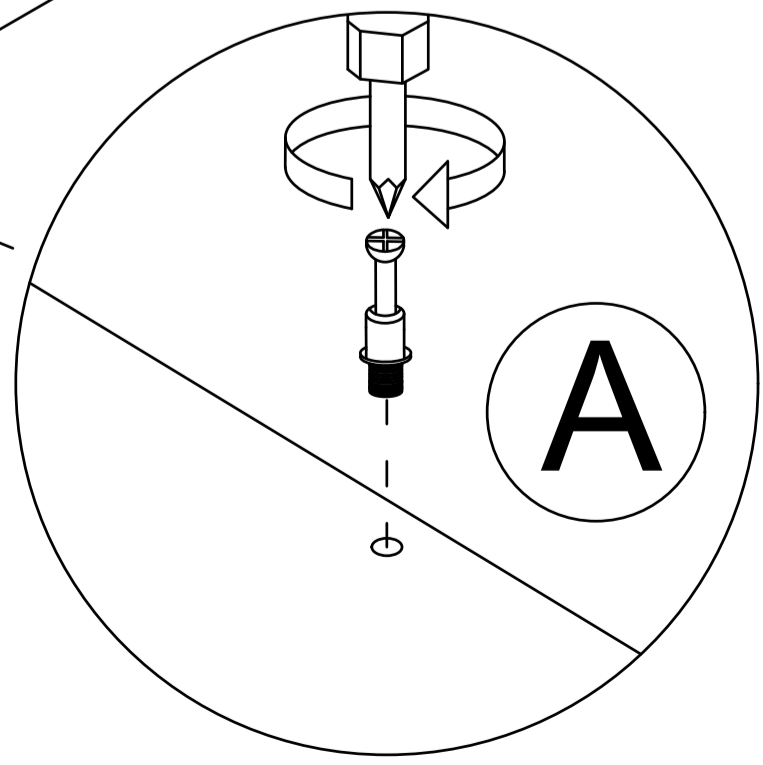


24

Step 25



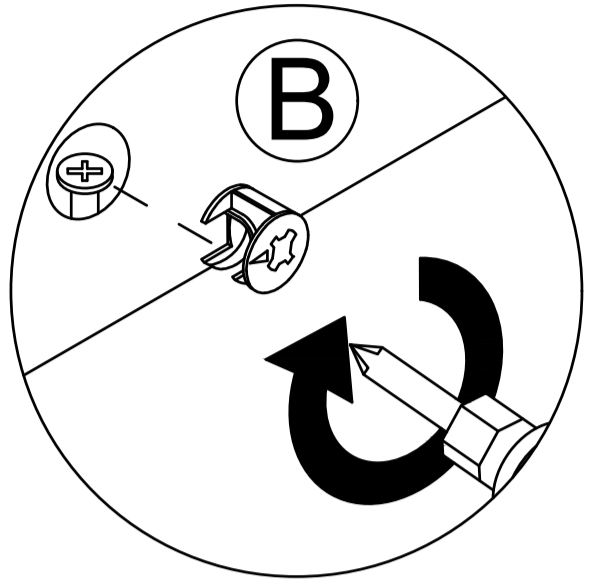
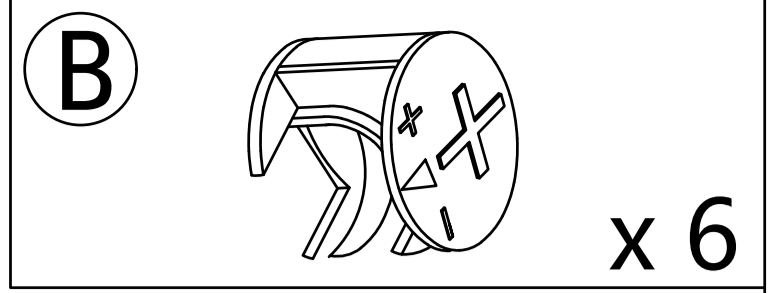
22



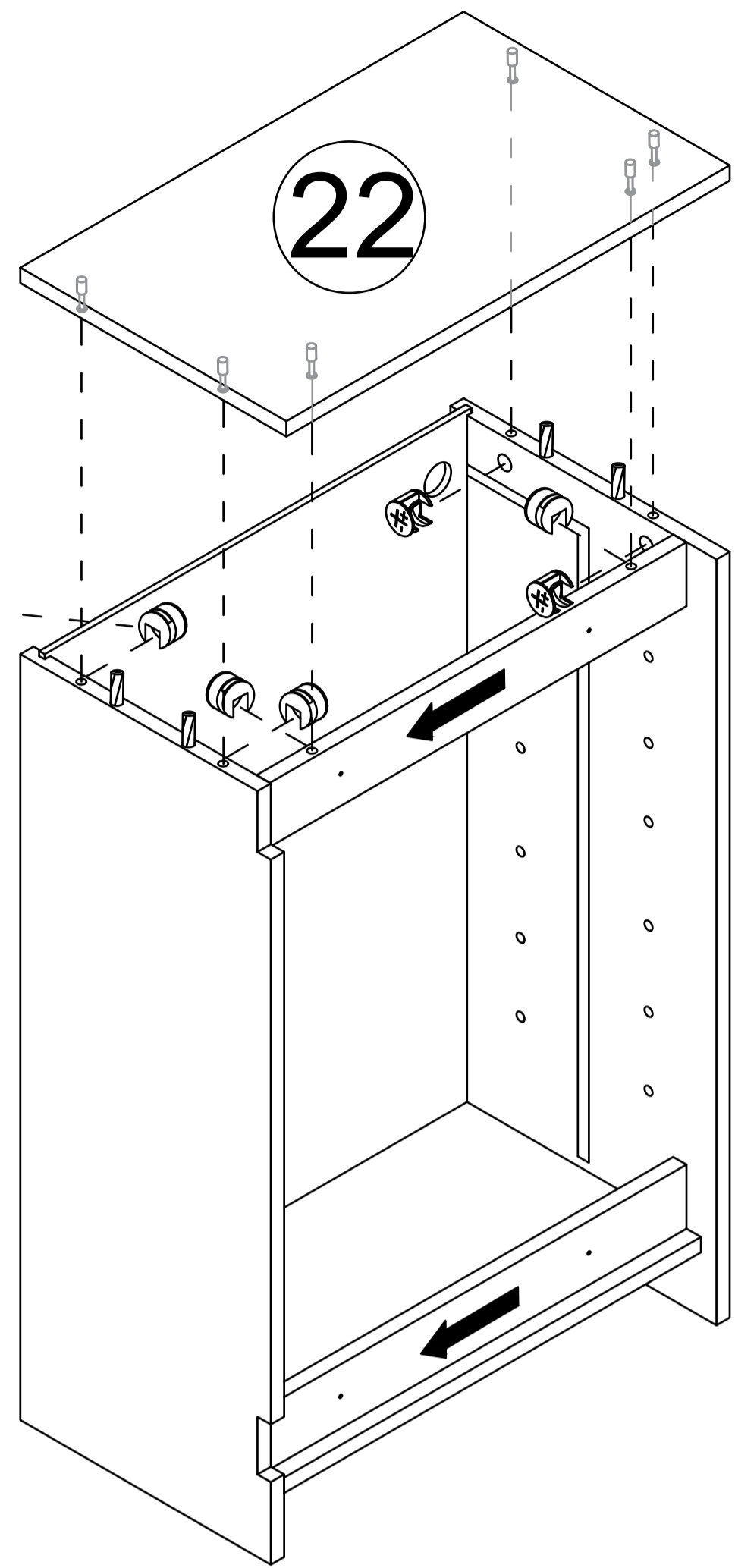
A

20

Step 26

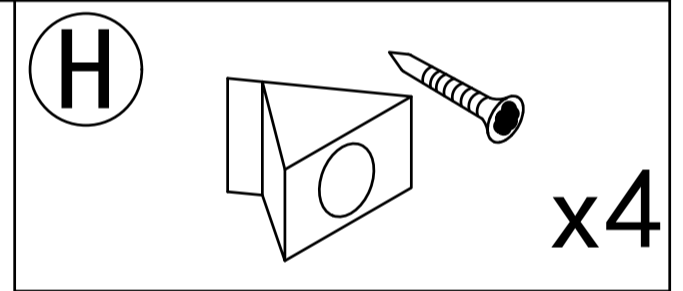


23

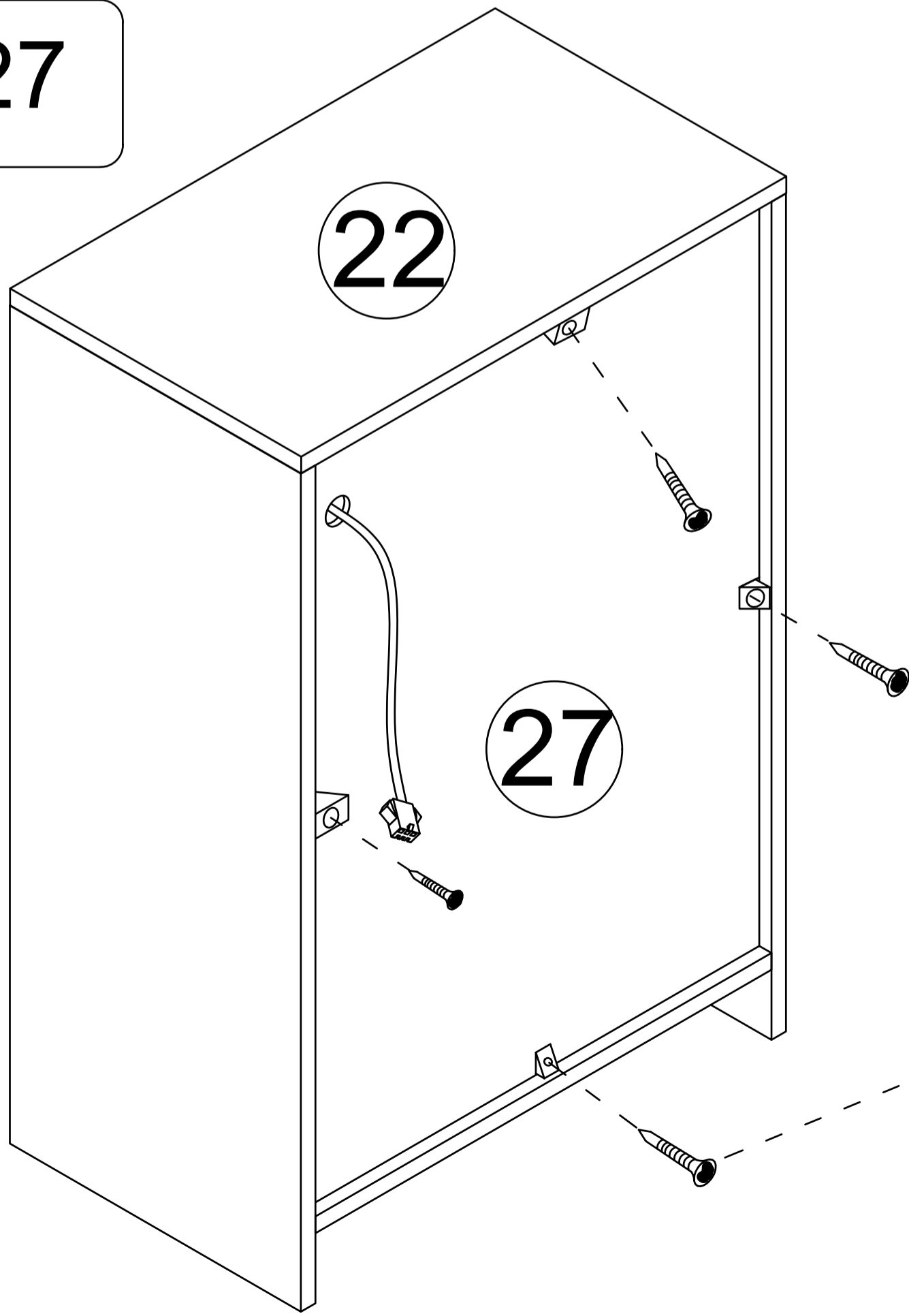


24

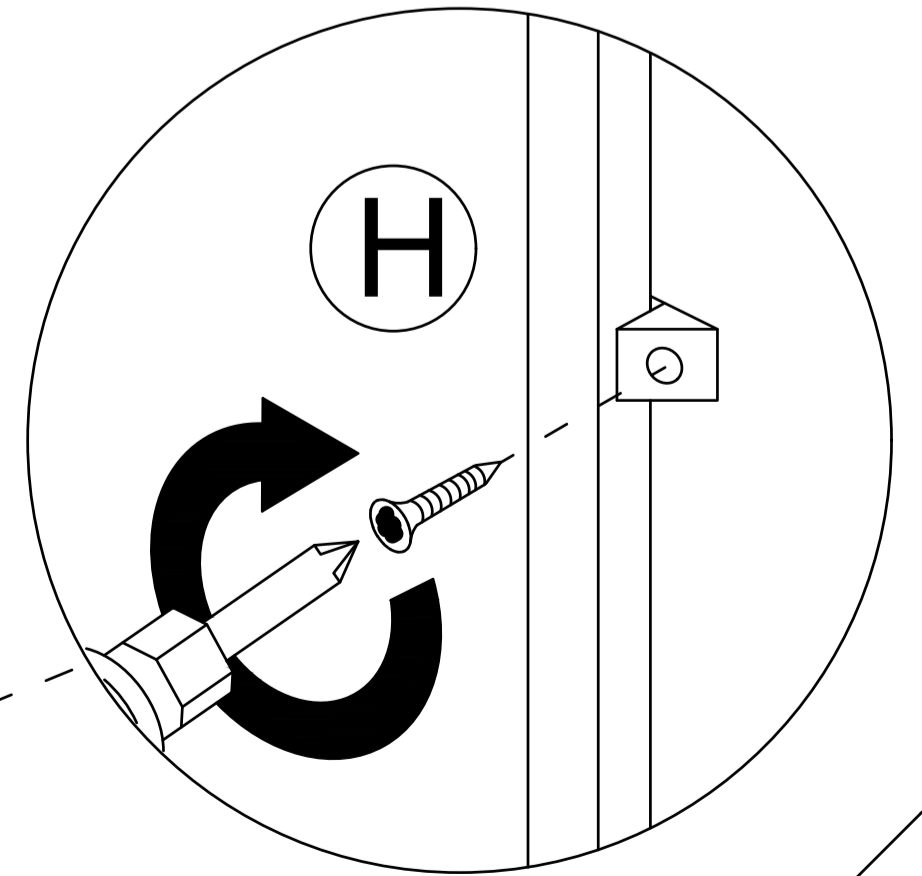
Step 27



24

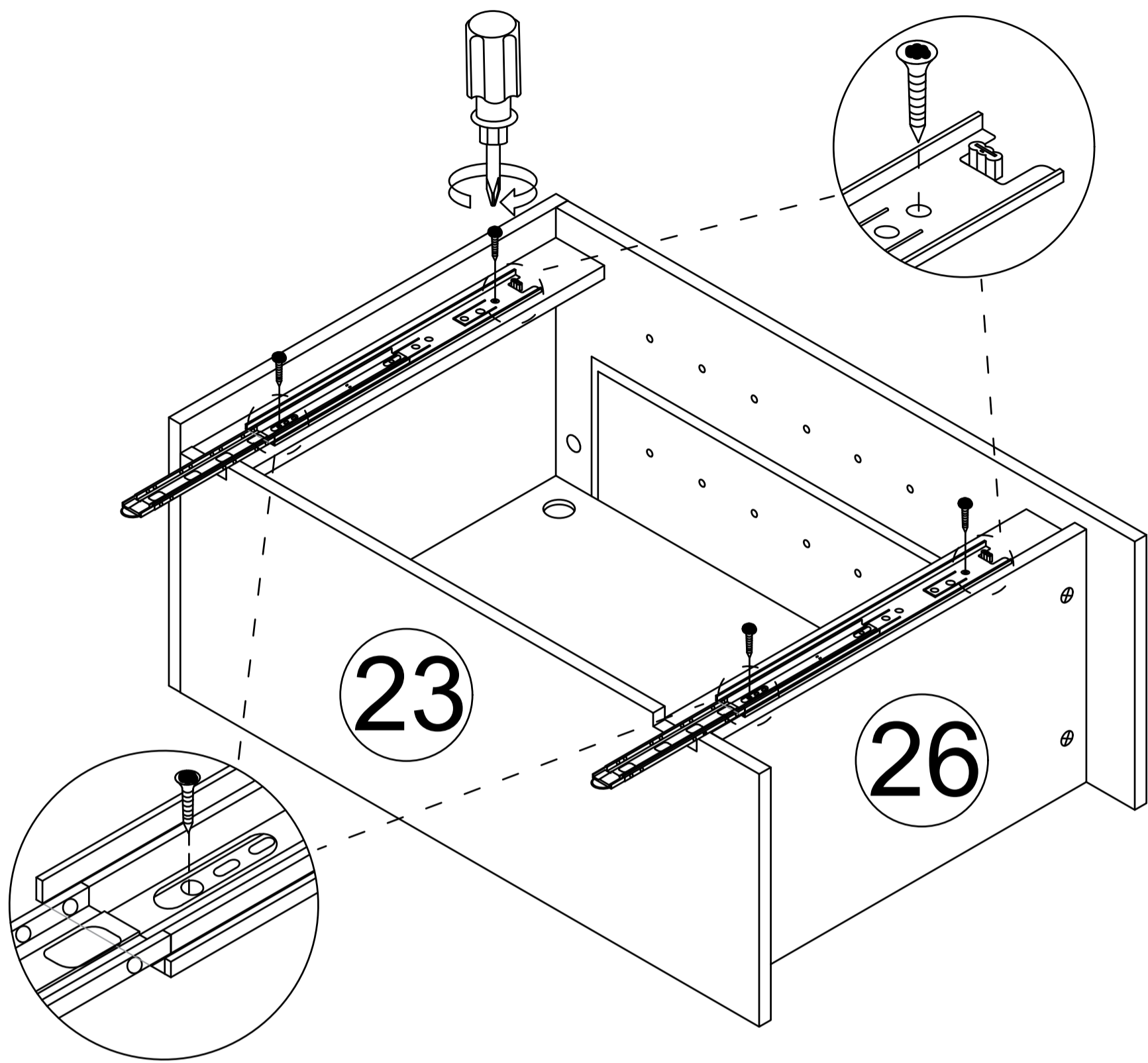
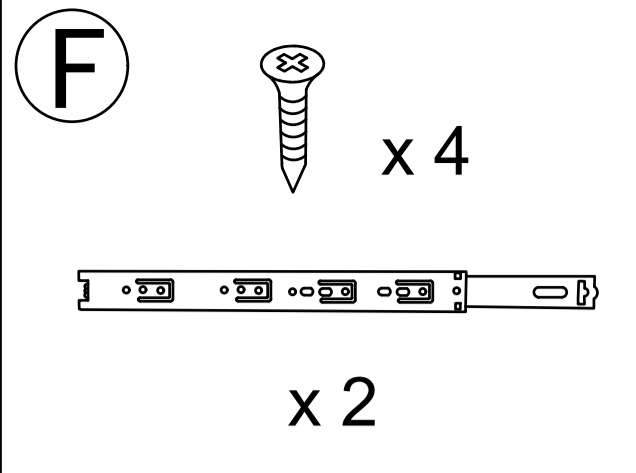
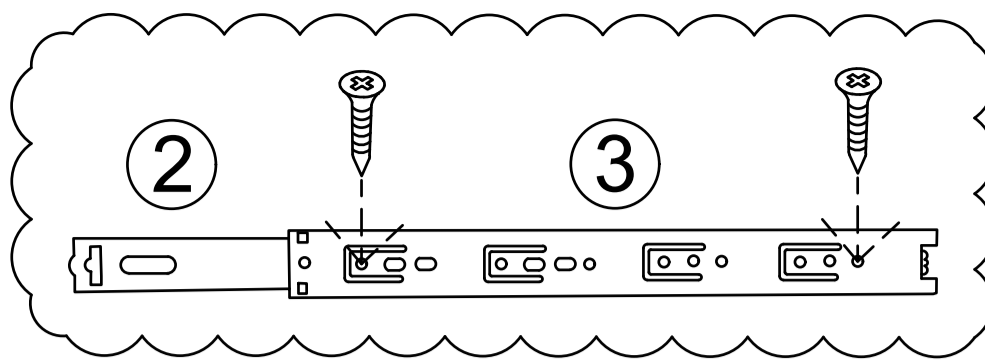


27

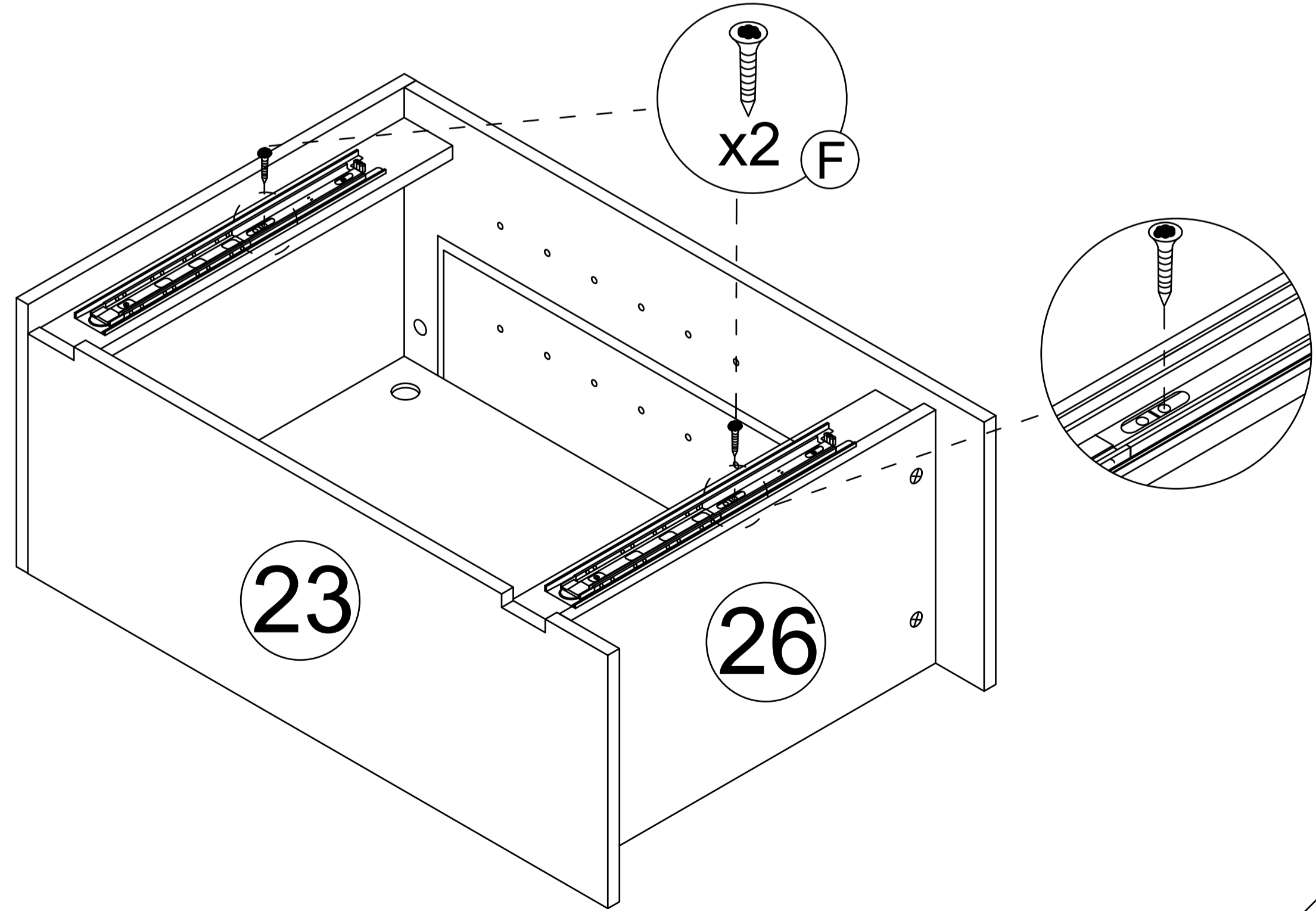
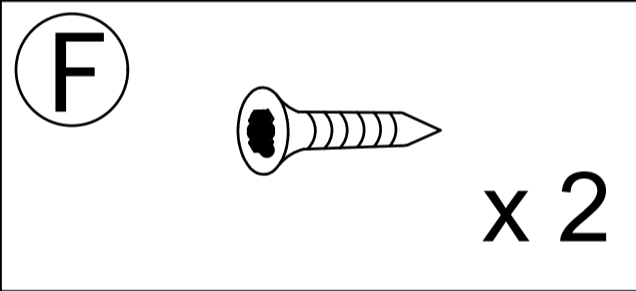
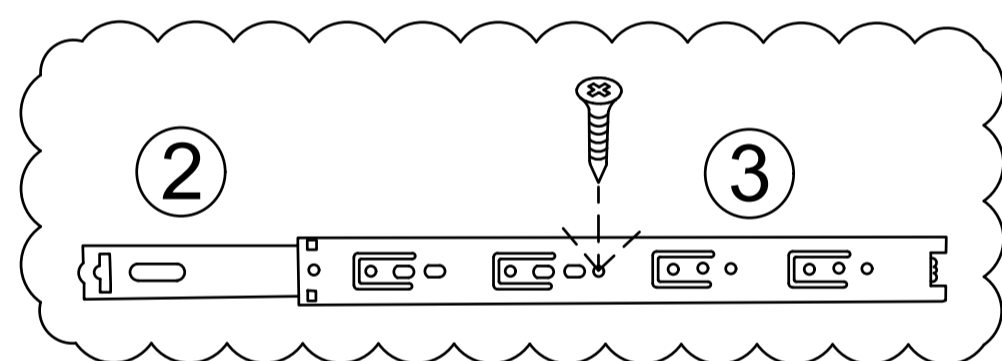


21

Step 28



Step 29



This hole is a reinforced fixing hole which can be installed as required

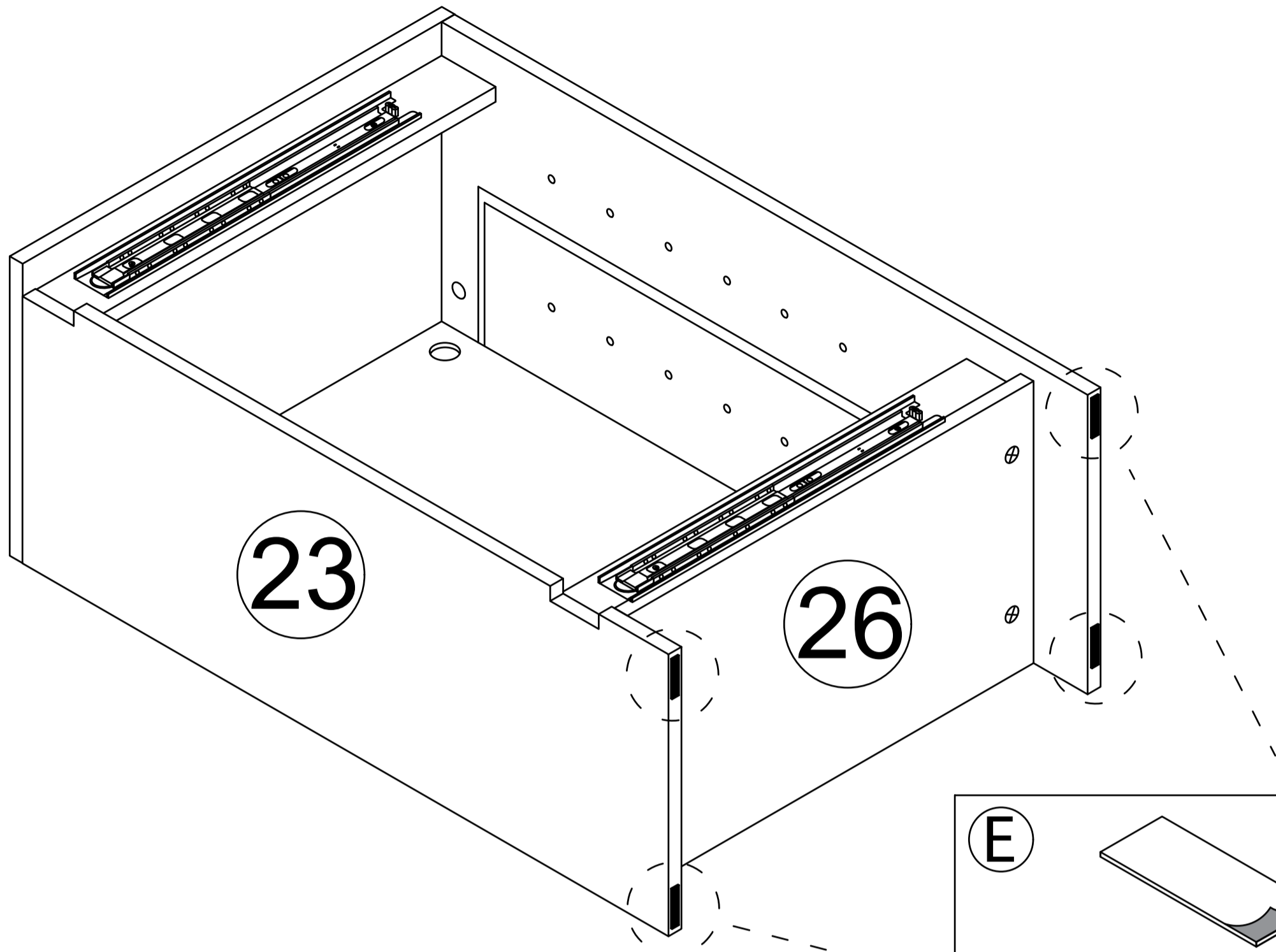
SY

Step 30

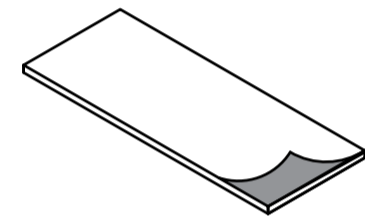
E



x4



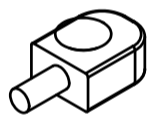
E



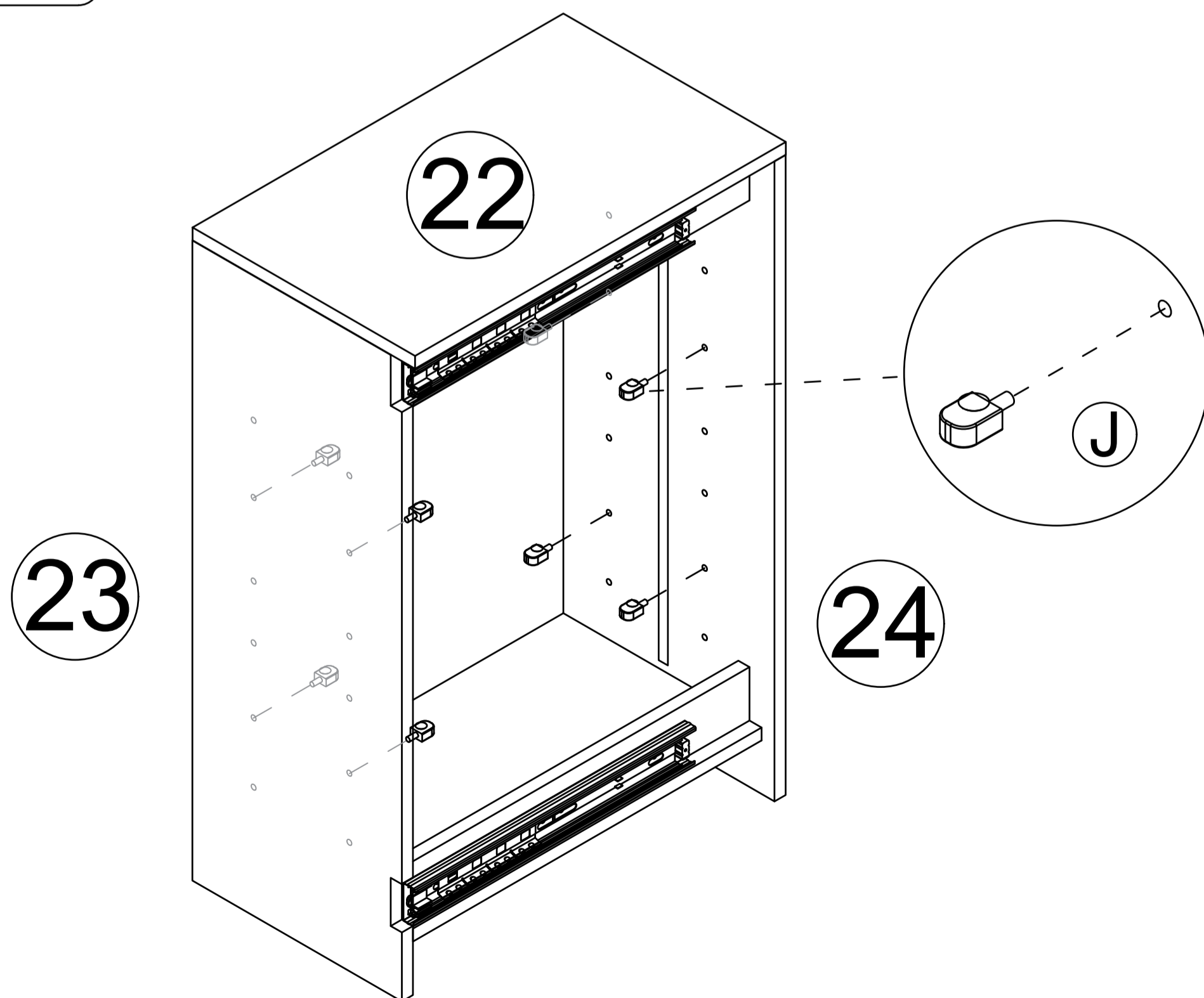
Tear off release paper and stick the black foot pad on the board

Step 31

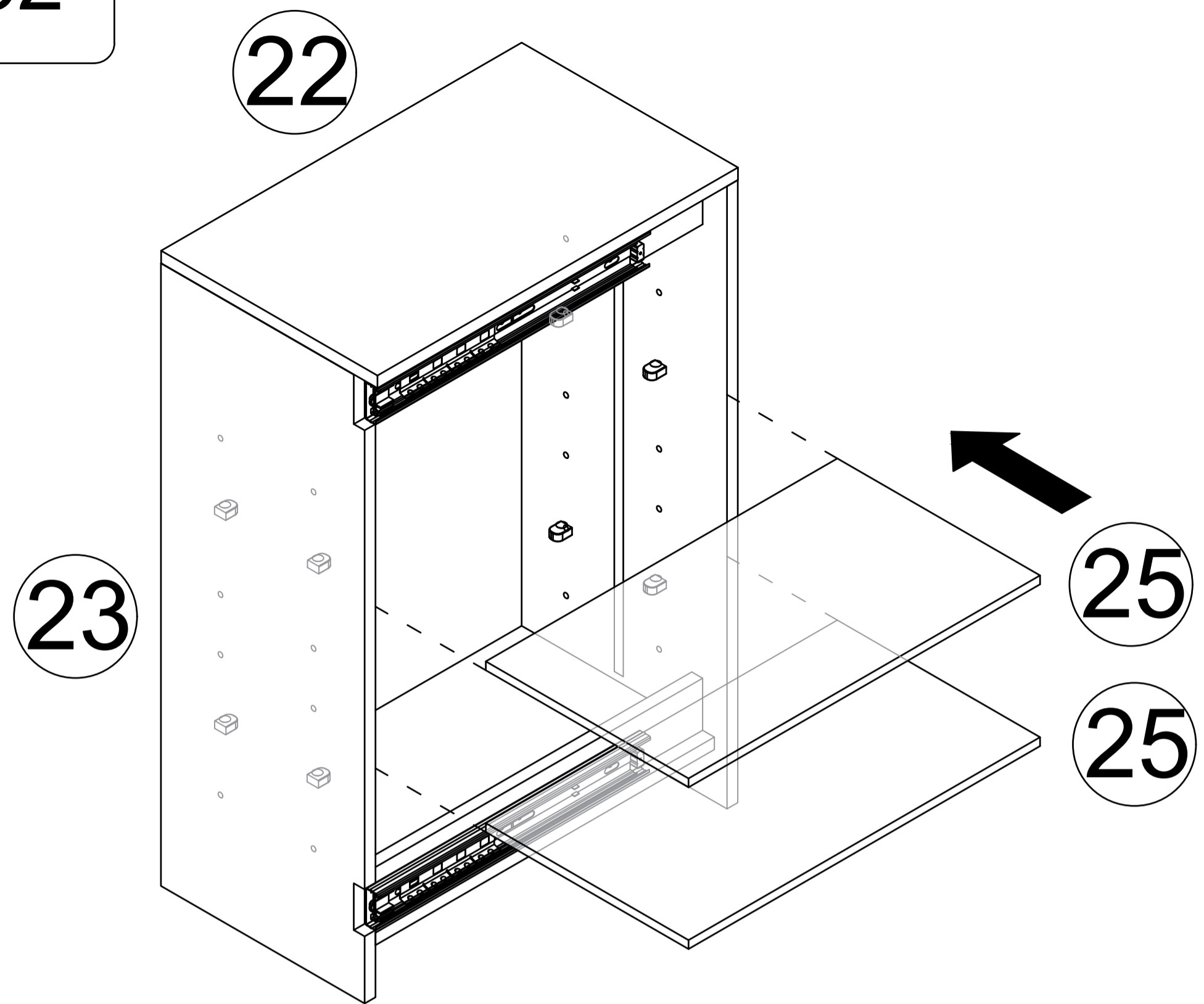
J



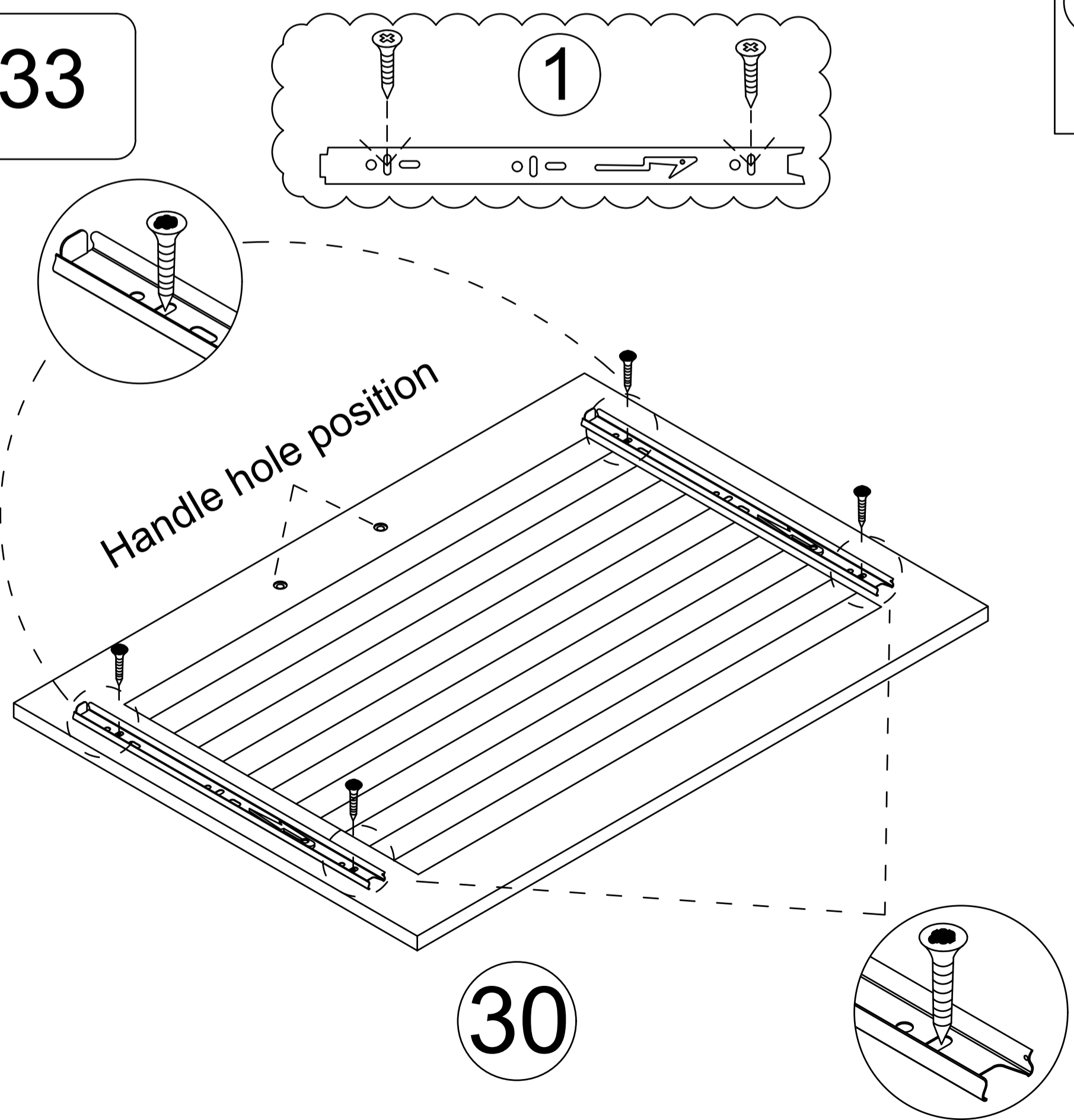
x8



Step 32



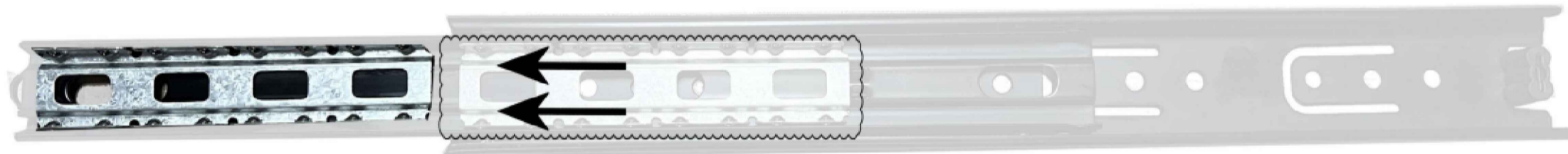
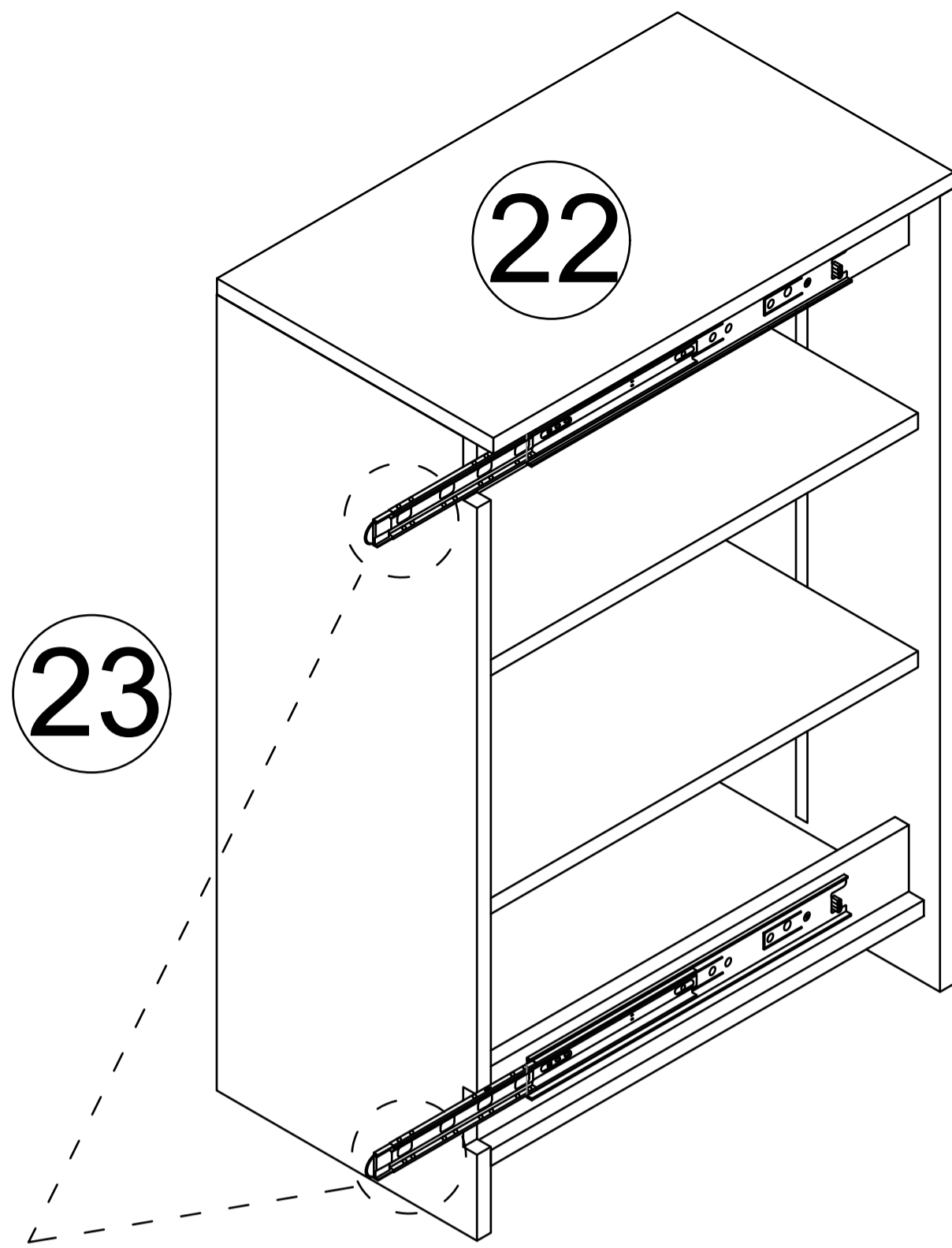
Step 33



- F [Rail] x2
- [Screw] x4

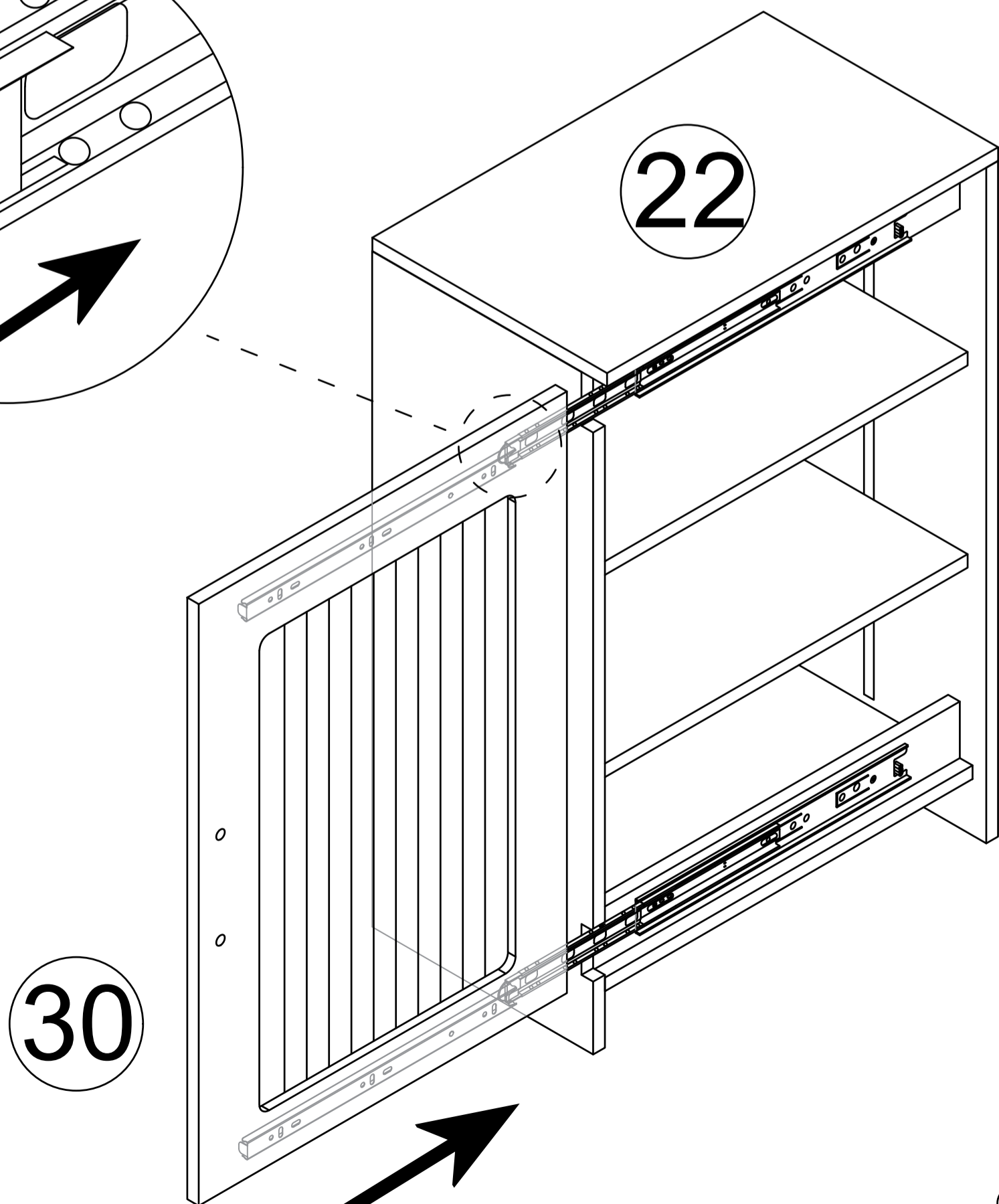
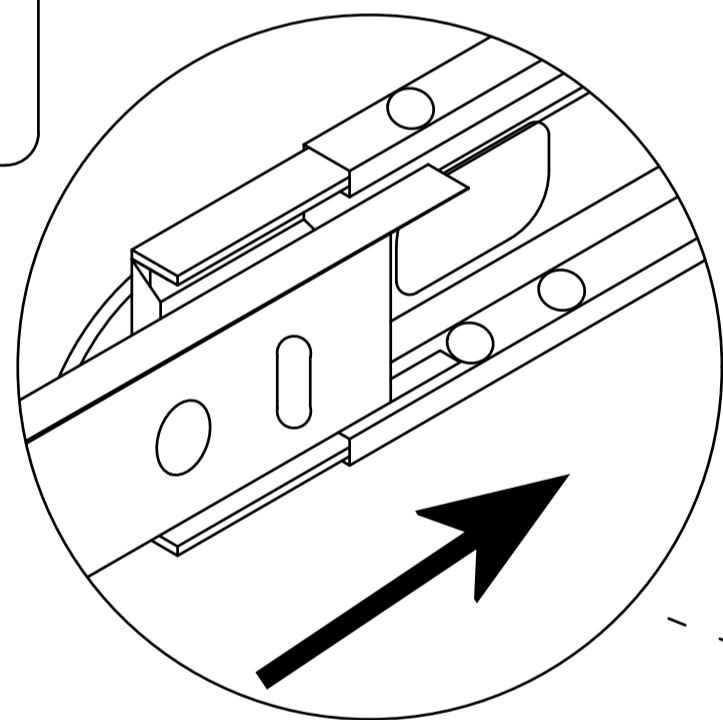
Pay attention to the guide rail installation direction

Step 34

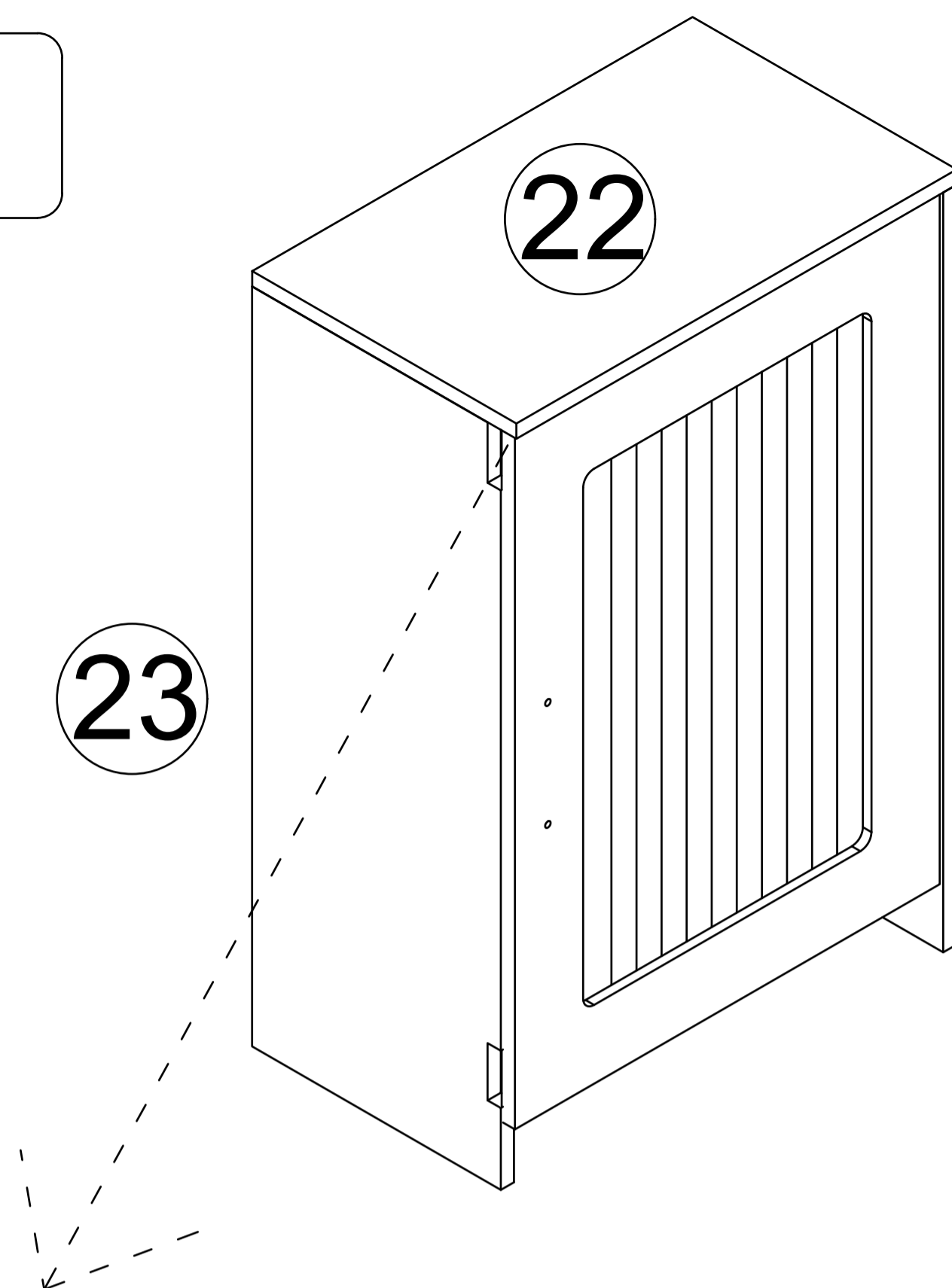


As shown, When installing the drawer, pull the guide rail out first, Slide beads are also pulled out.

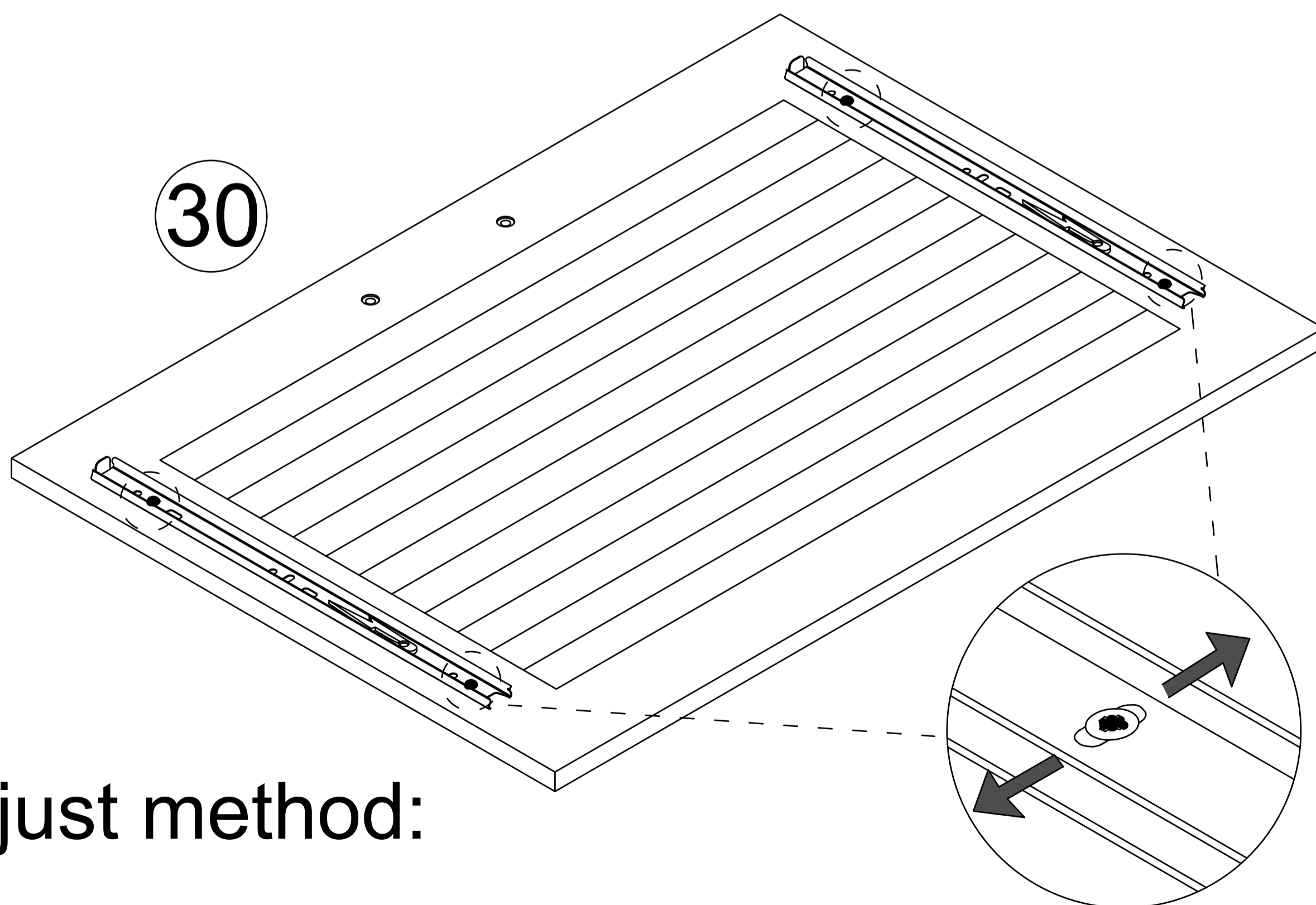
Step 35



Step 36



After installing the door, if you find that the gap is large or obstructed, you can remove the door to adjust

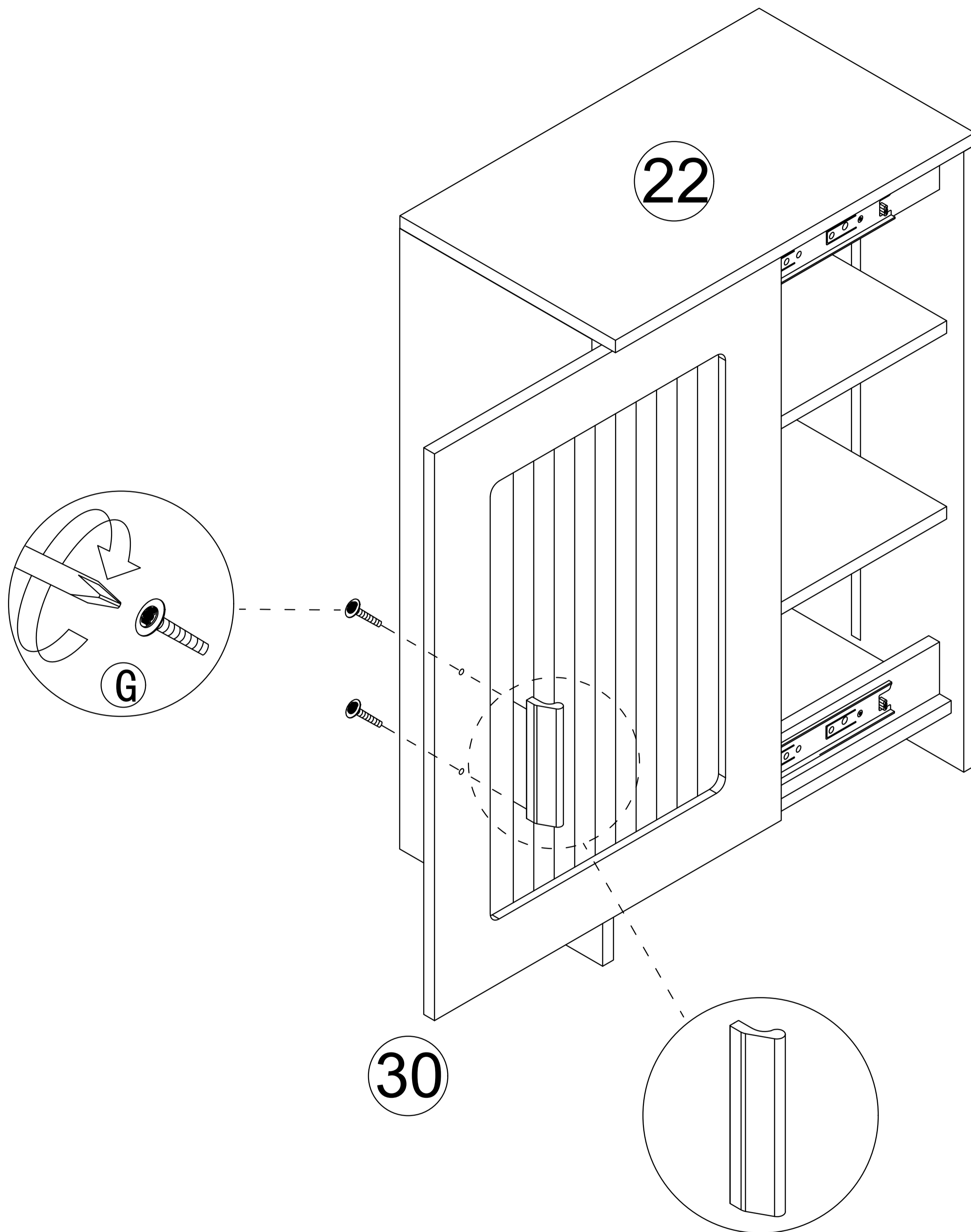
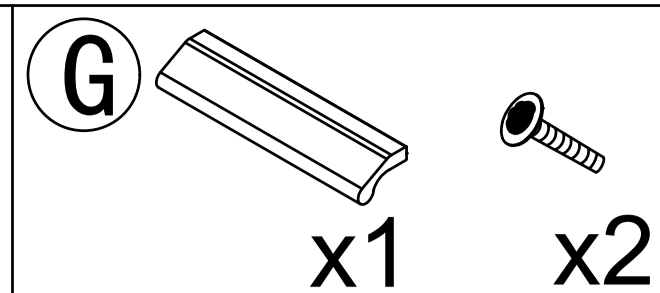


Adjust method:

First loosen the screw a little, adjust the guide rail before locking

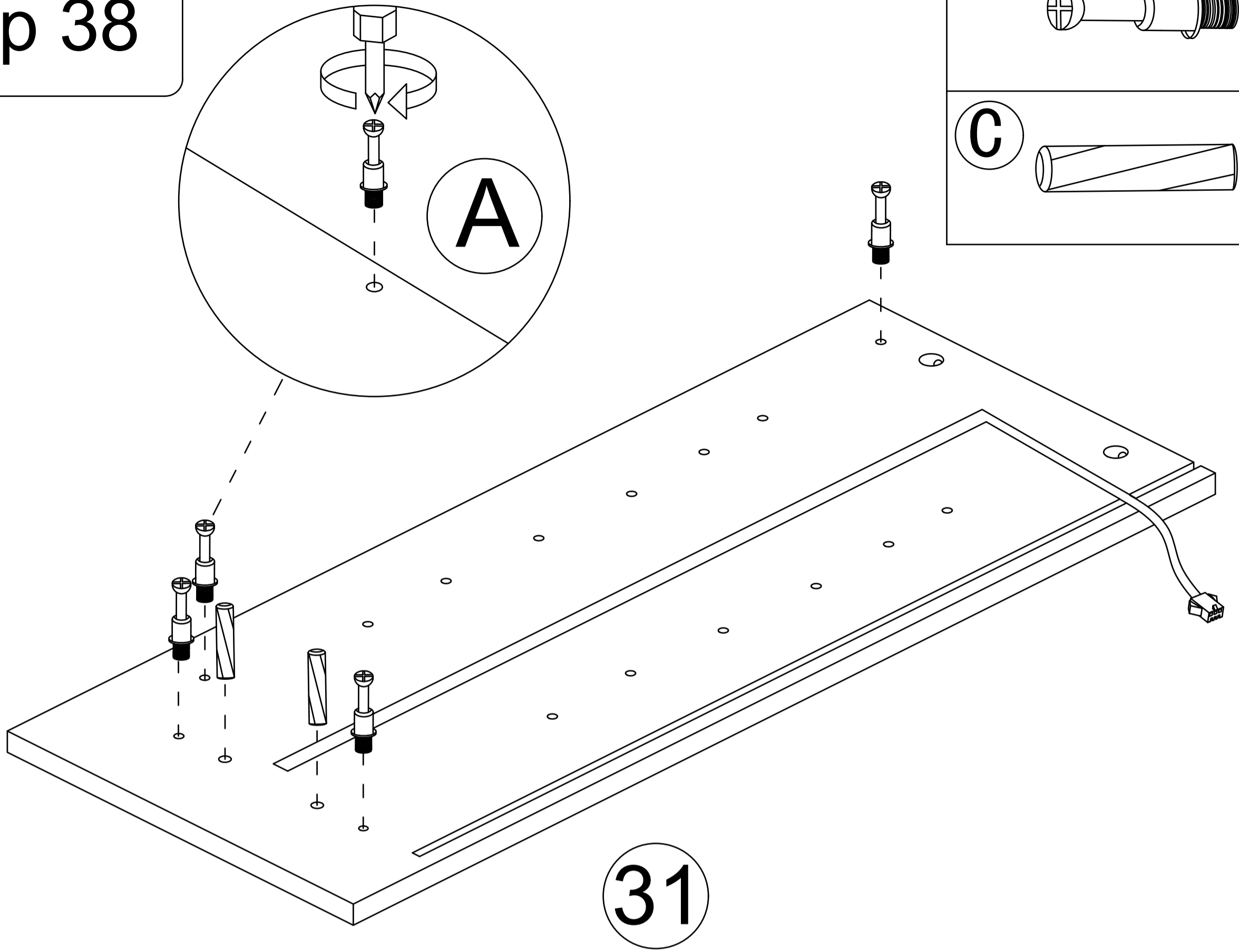
SY

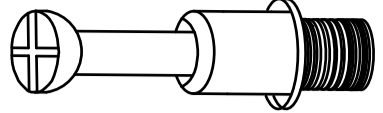

Step 37



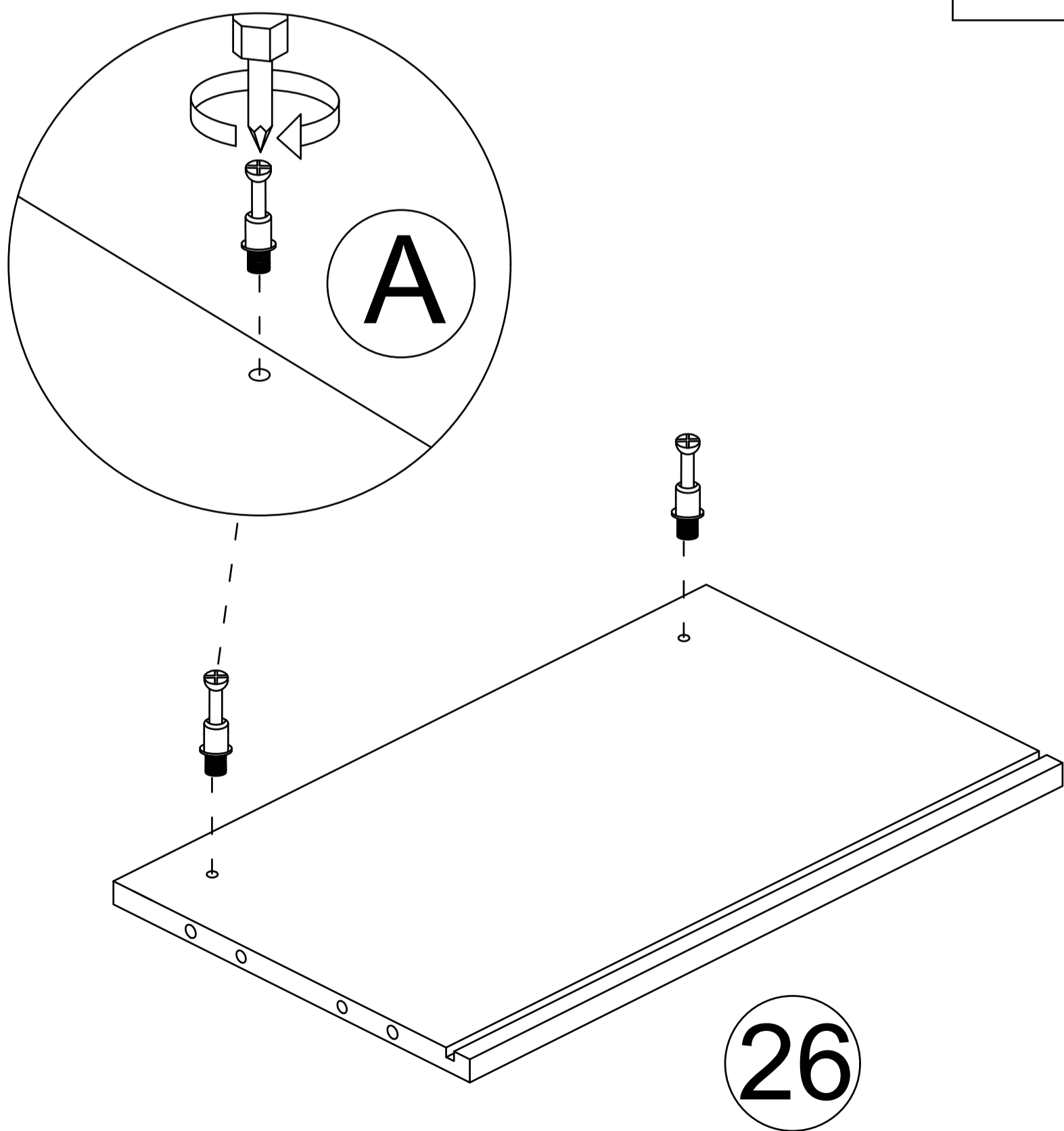
Pay attention to the handle installation direction

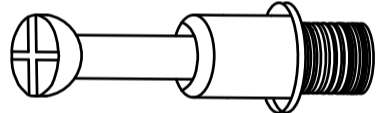
Step 38



- A**  x 4
- C**  x 2

Step 39

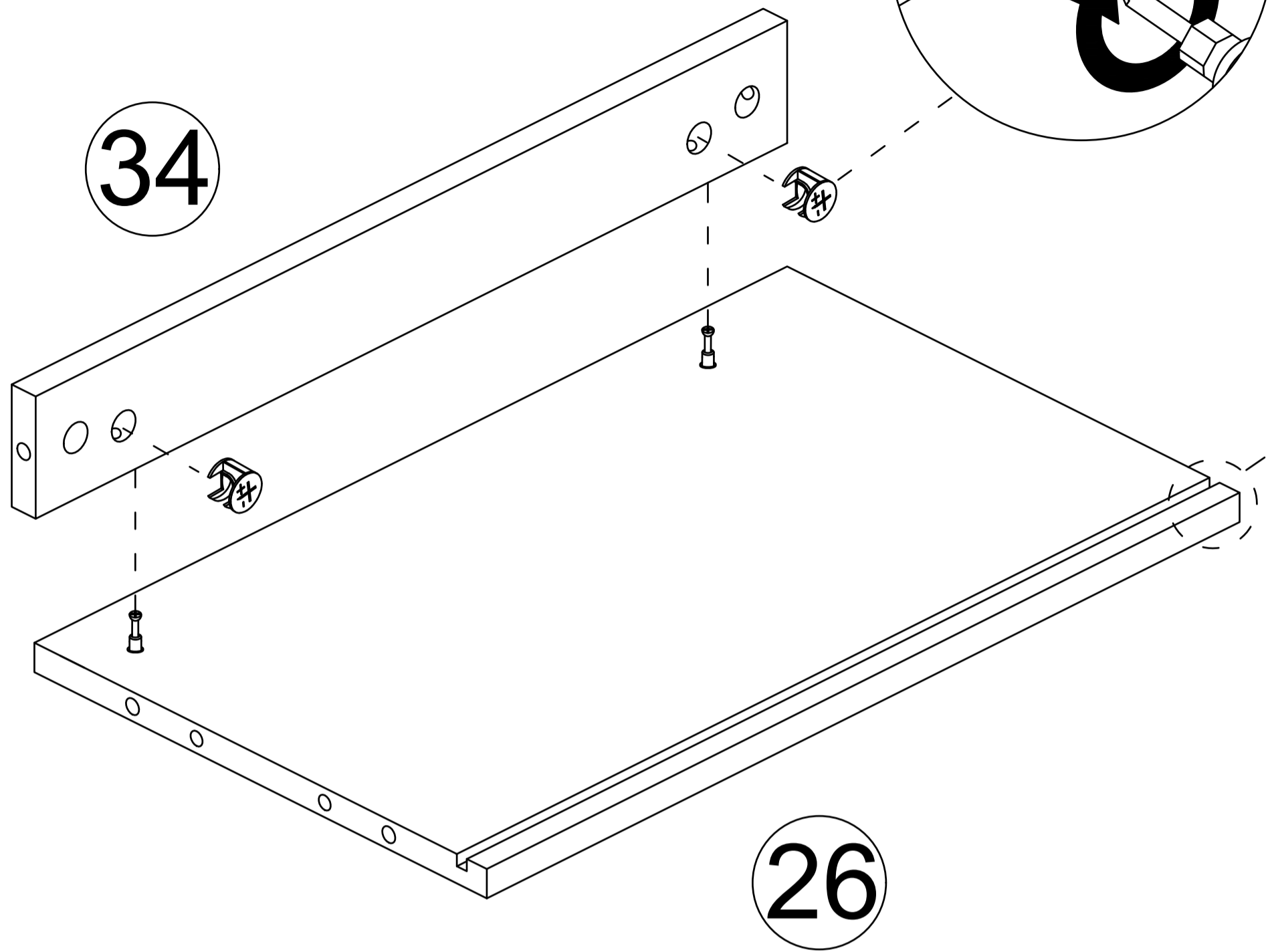


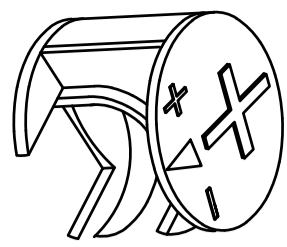
- A**  x 2

26

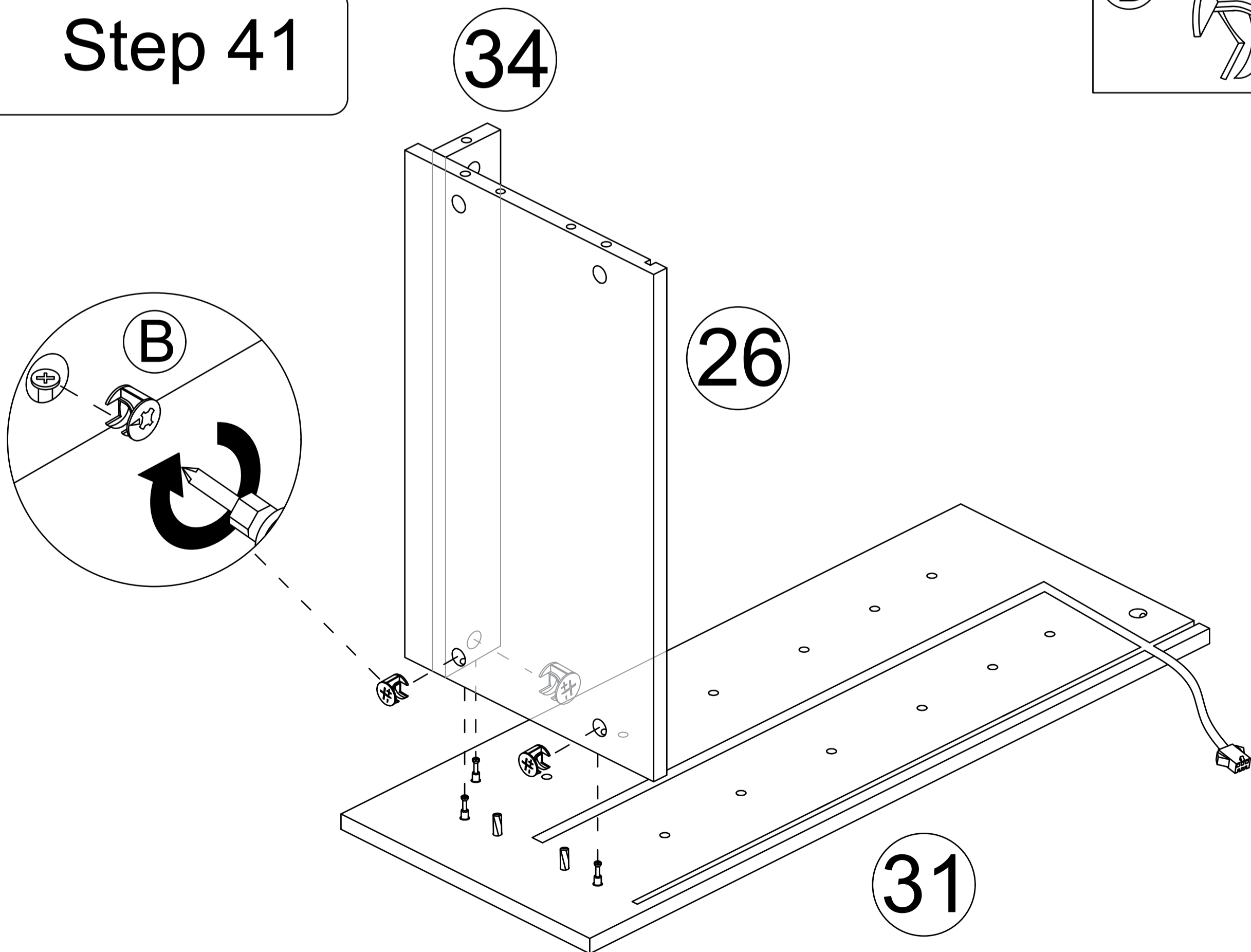
28

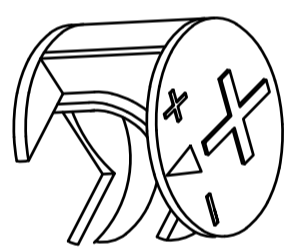
Step 40



B  x 2

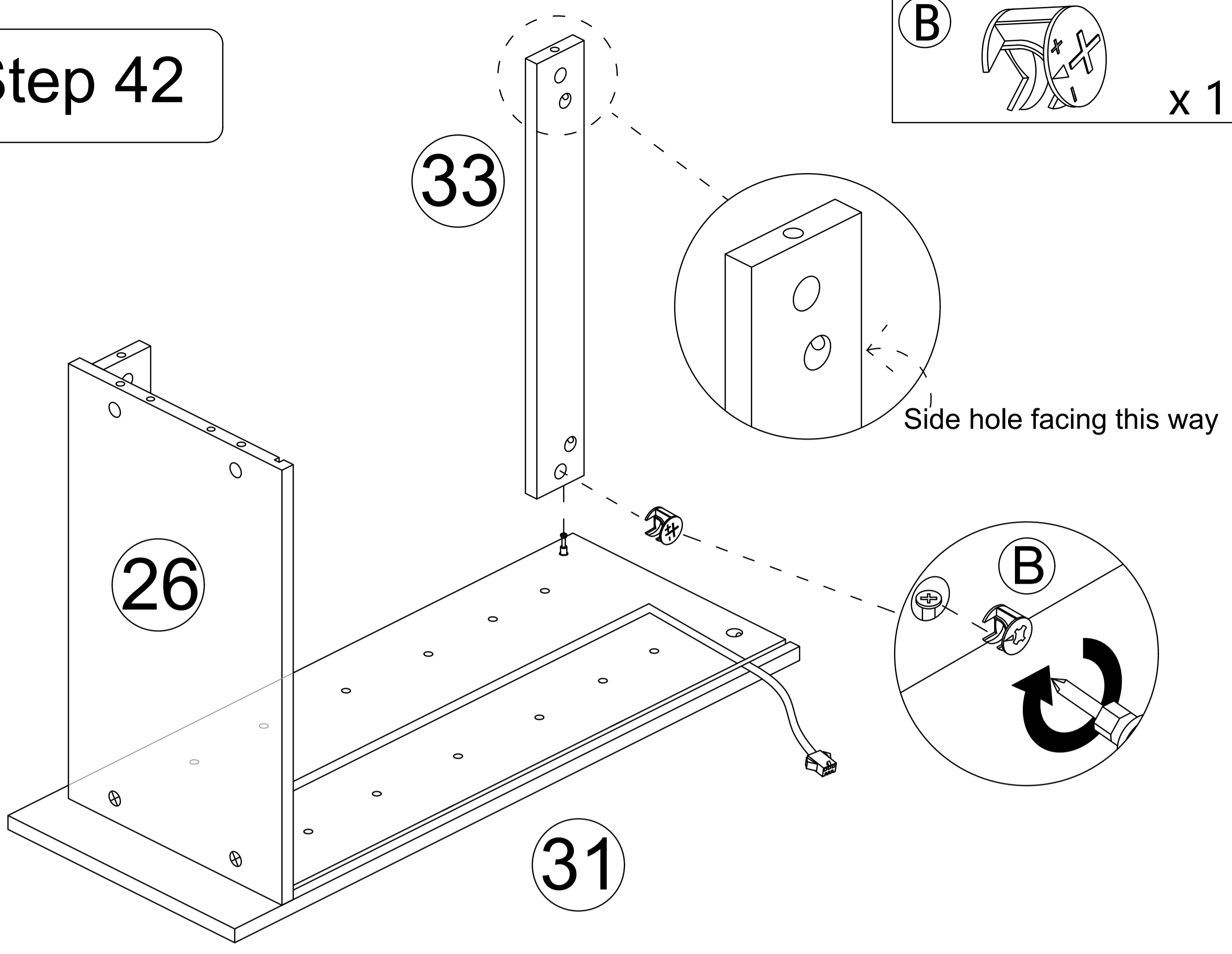
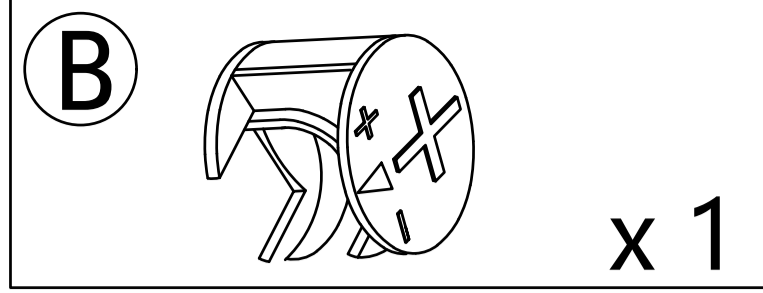
Step 41



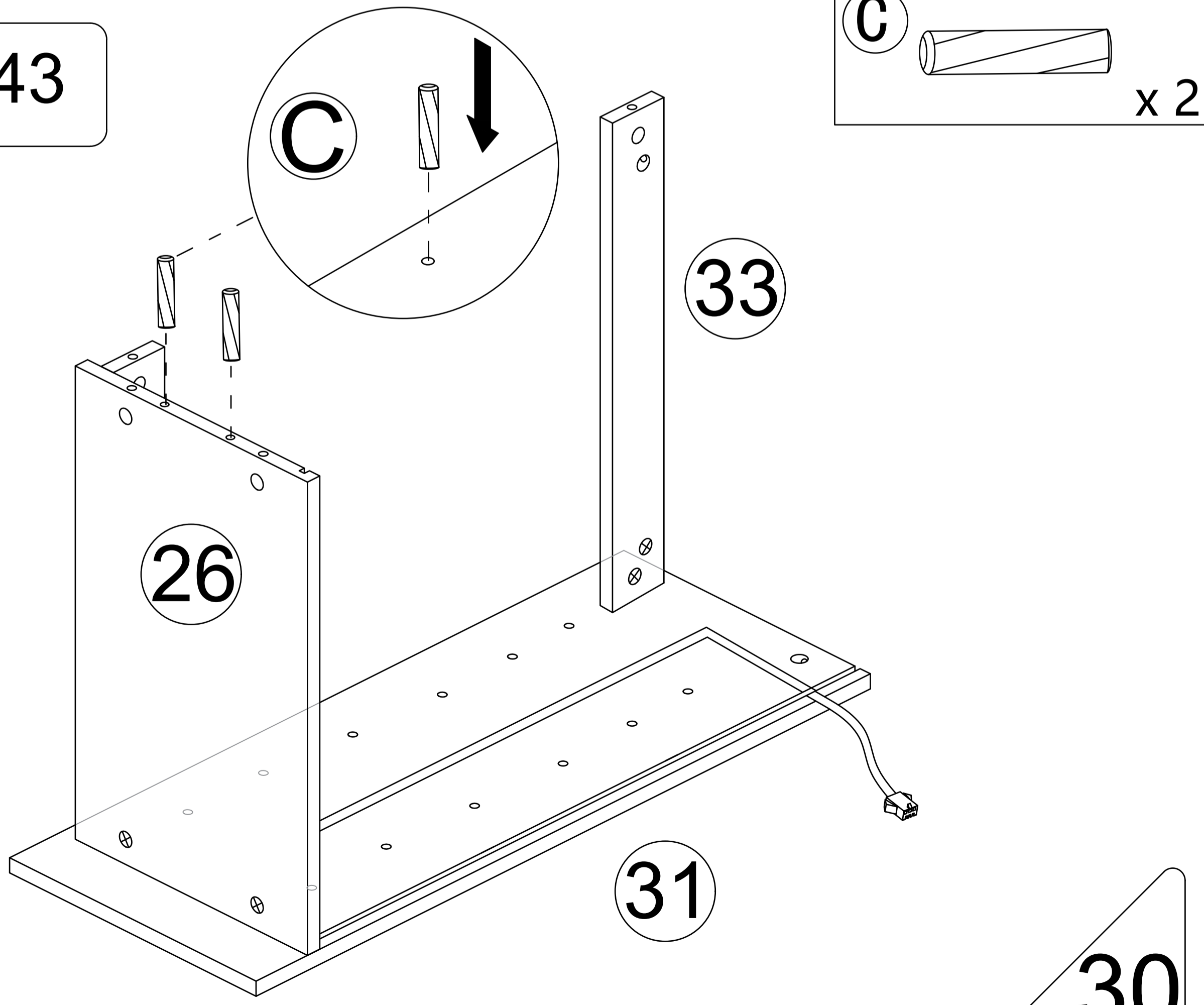
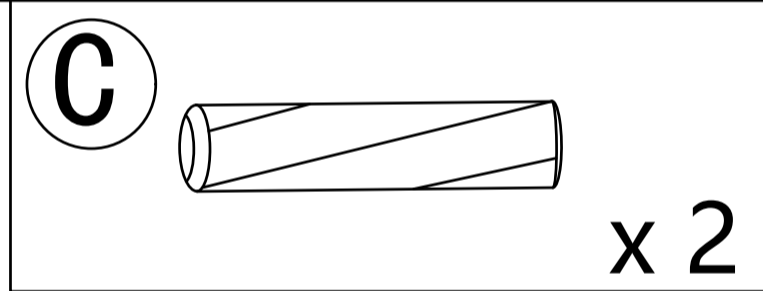
B  x 3

29

Step 42

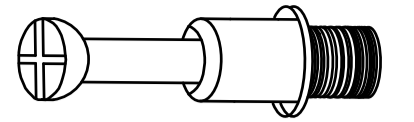


Step 43

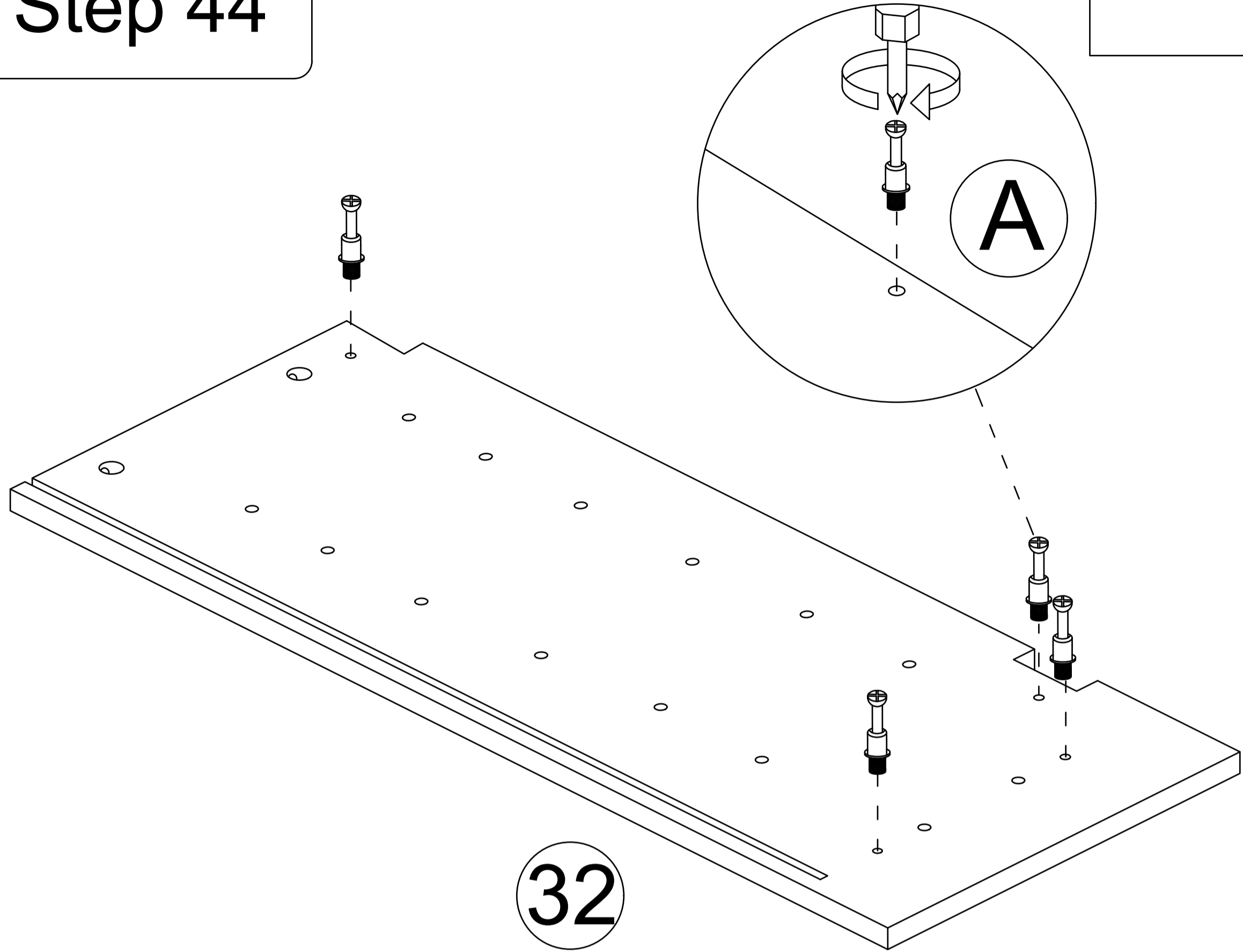


Step 44

A



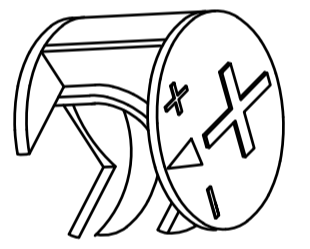
x 4



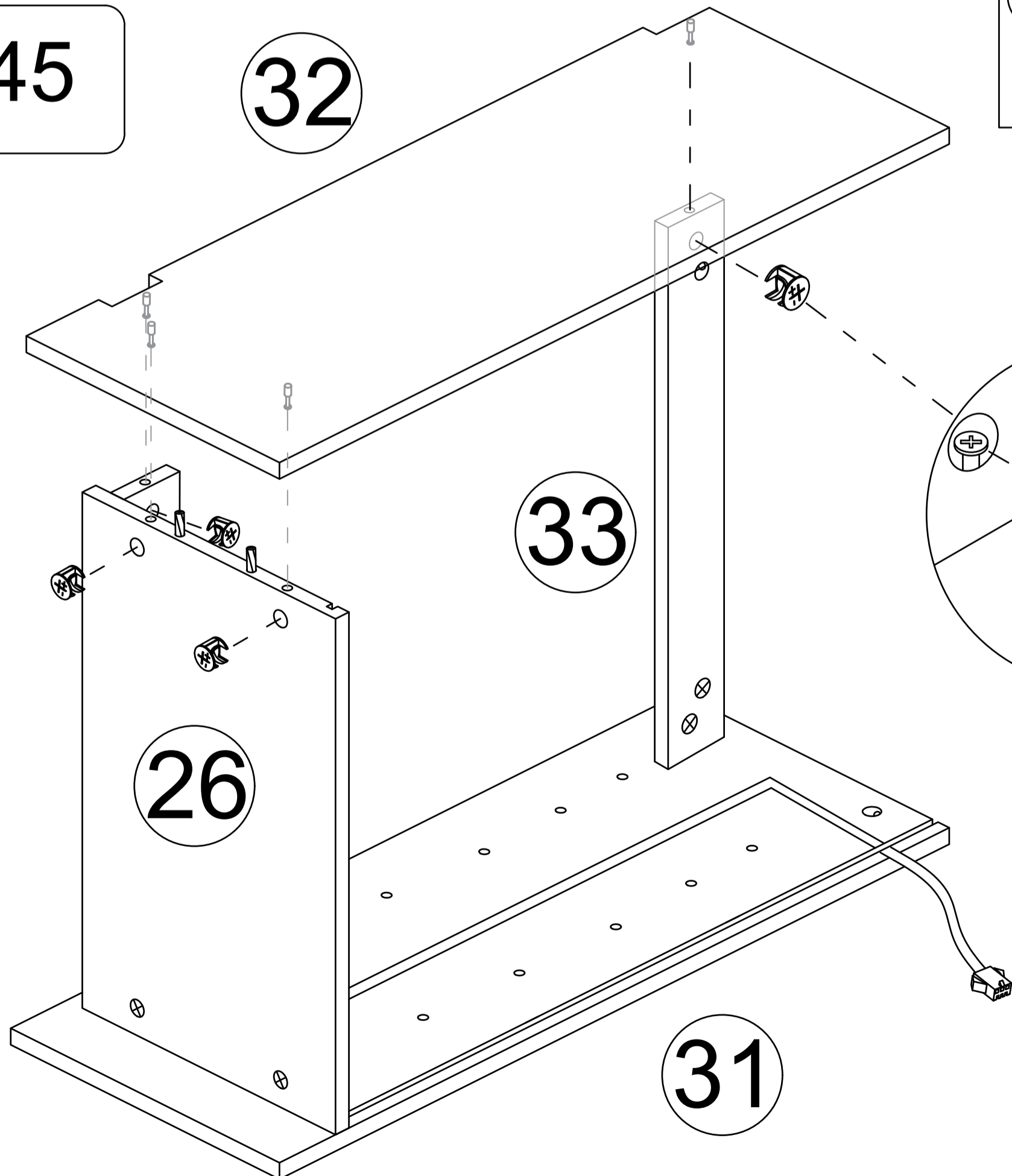
32

Step 45

B



x 4



32

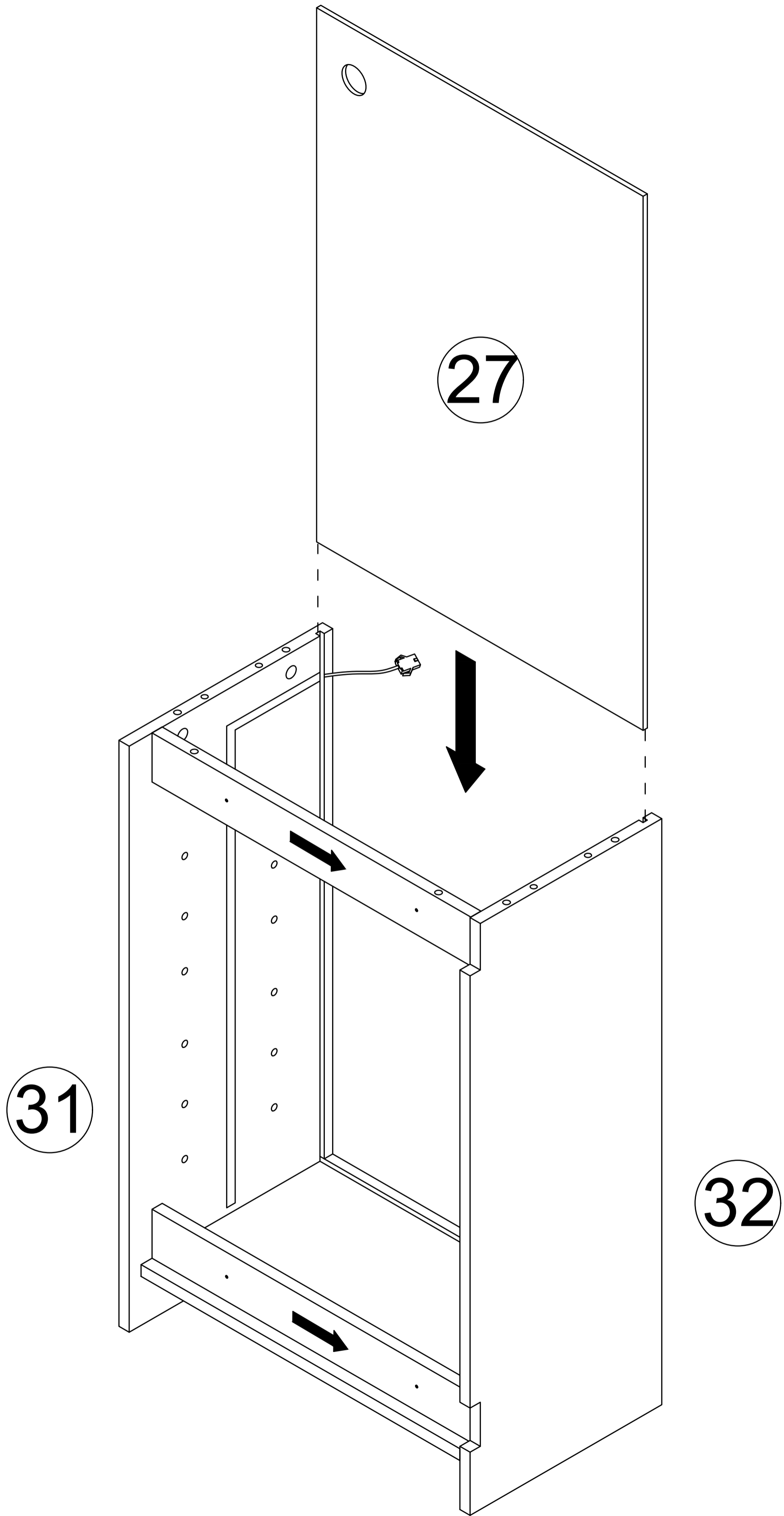
33

26

31

31

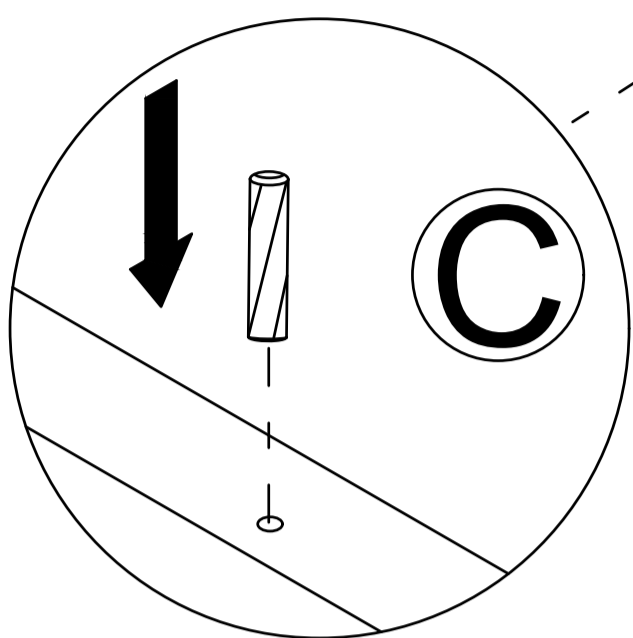
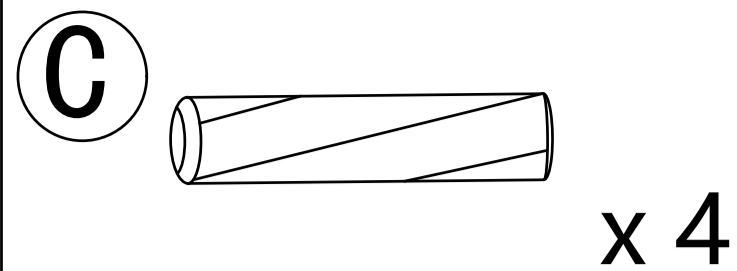
Step 46



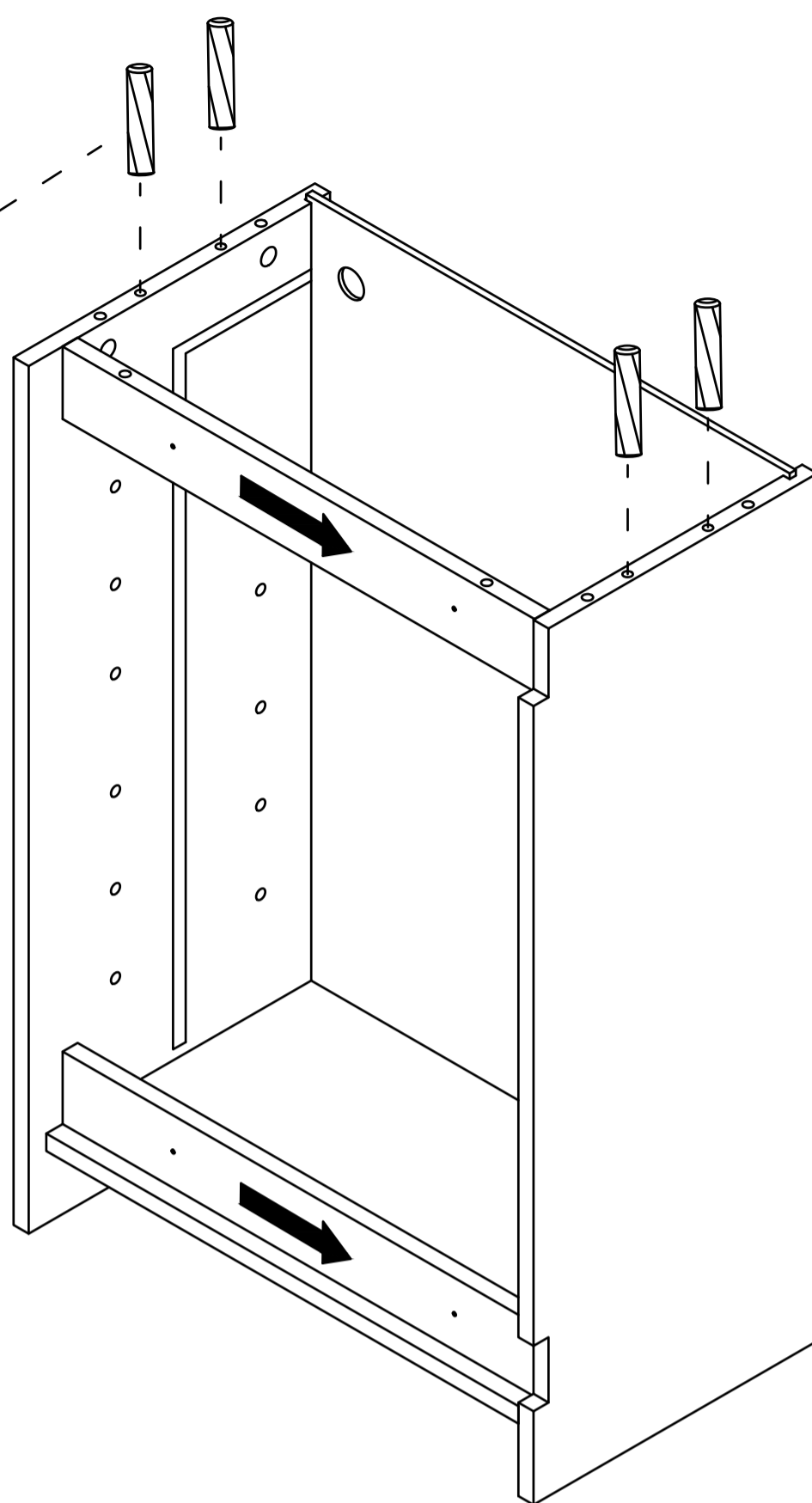
32

SY

Step 47

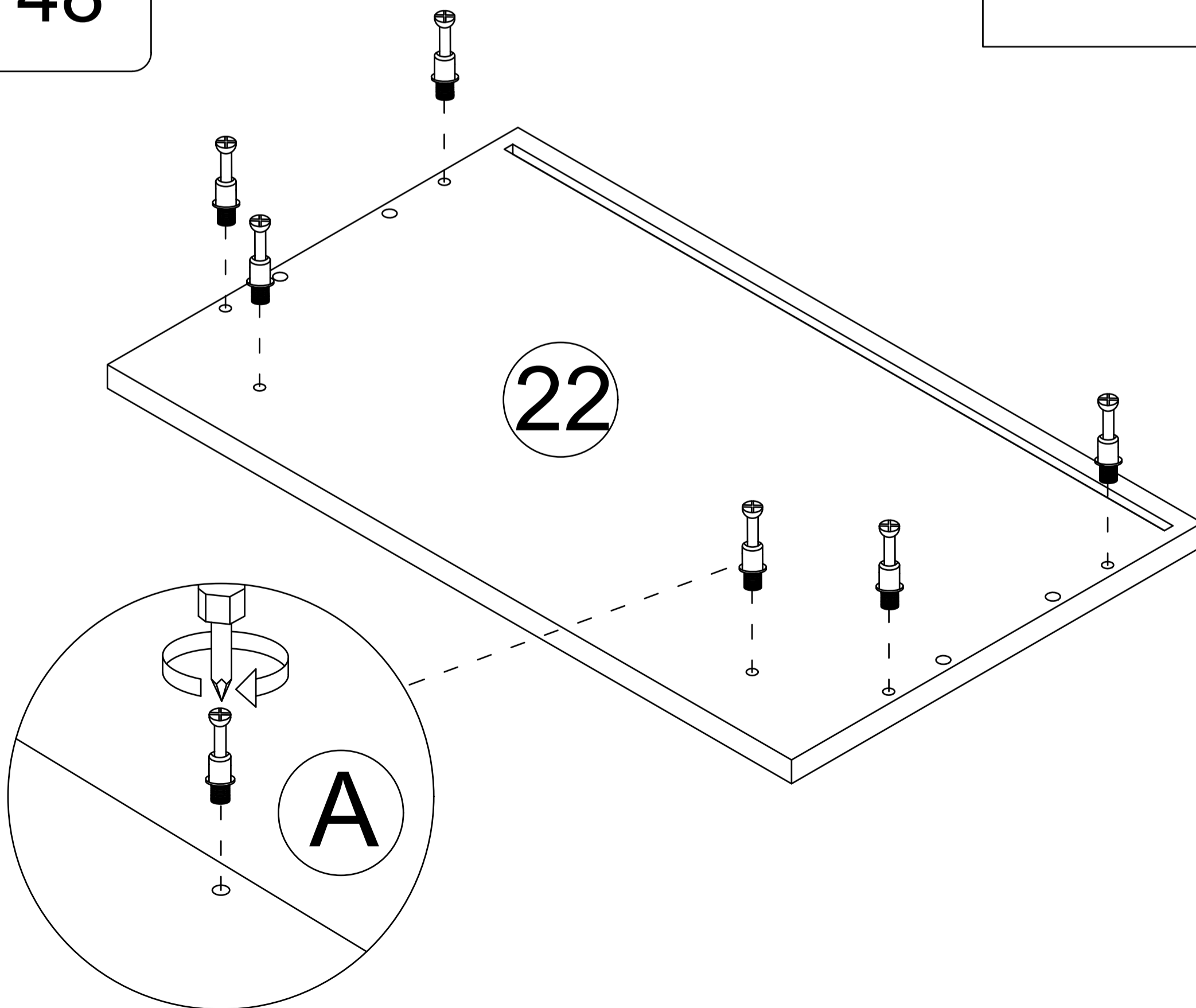
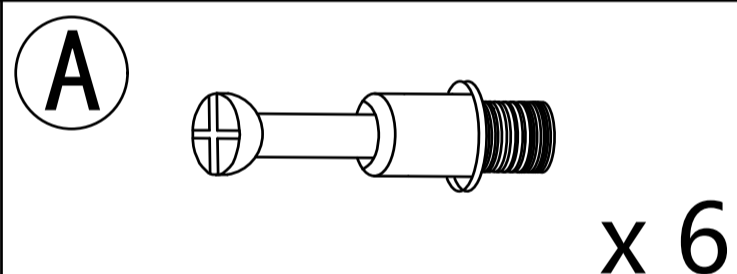


31



32

Step 48

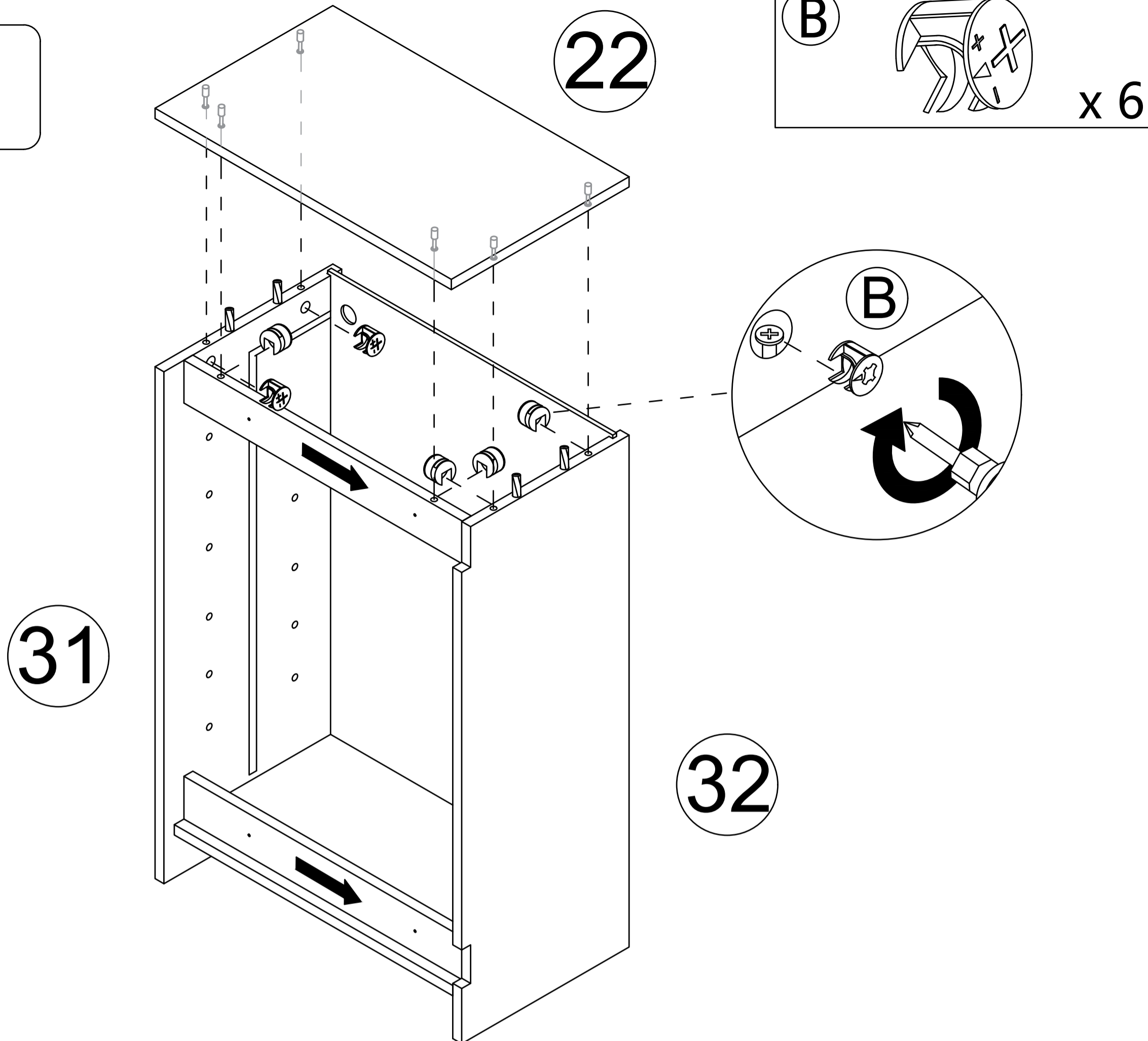


22

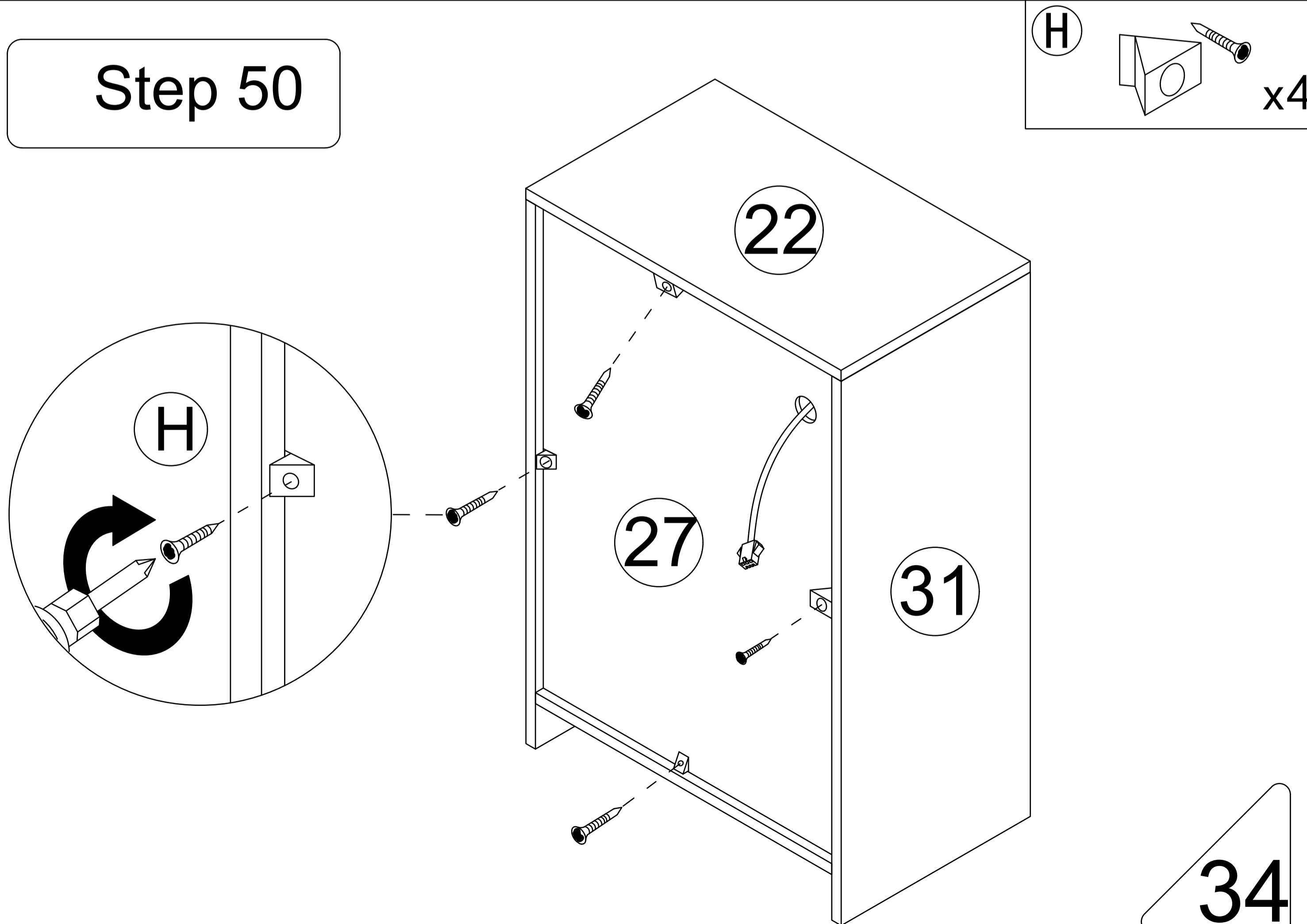
A

33

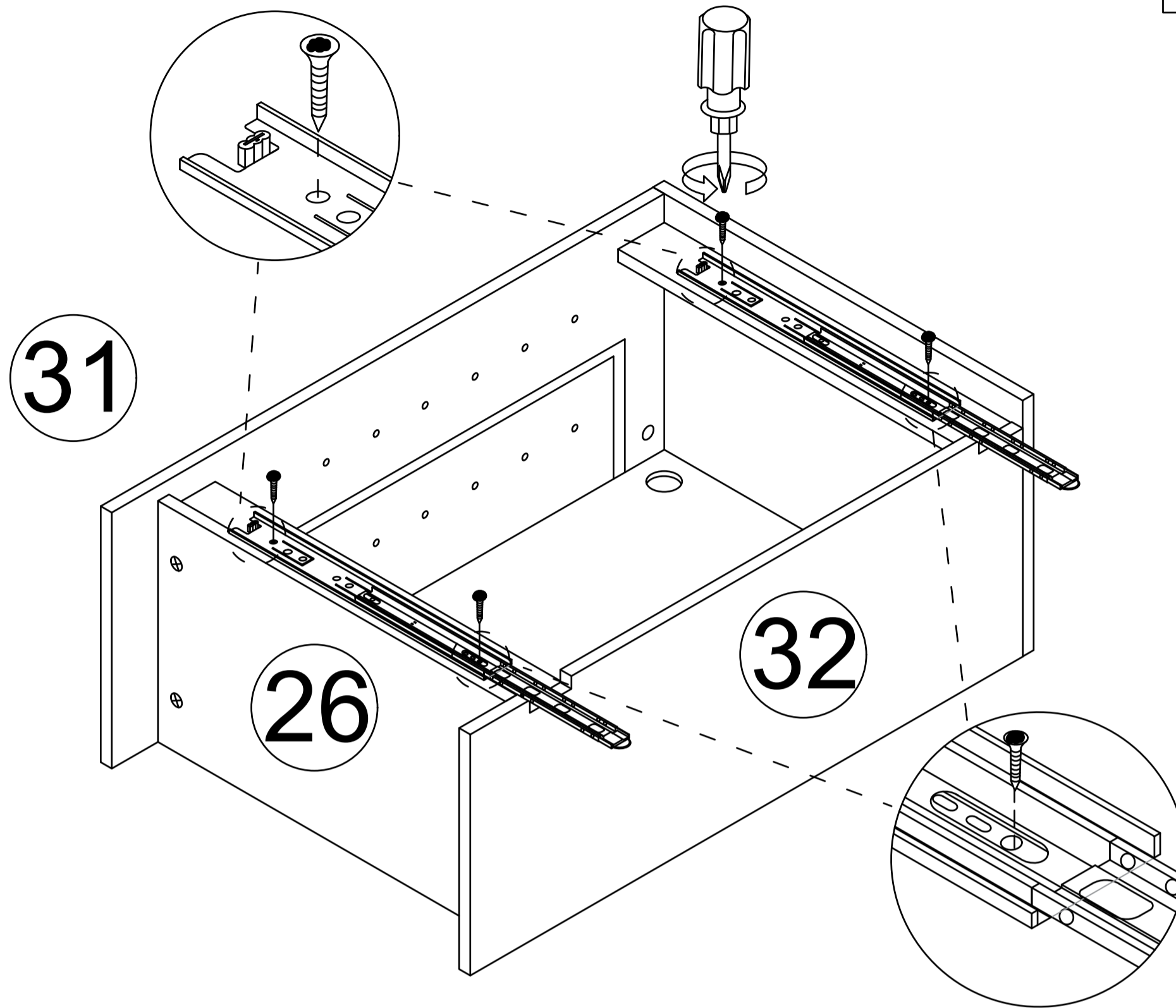
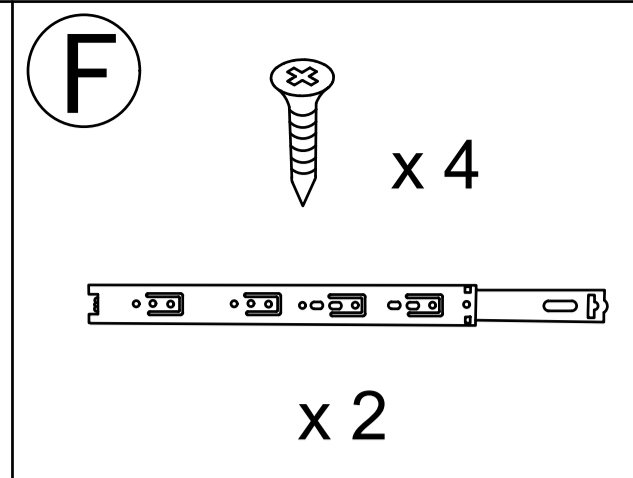
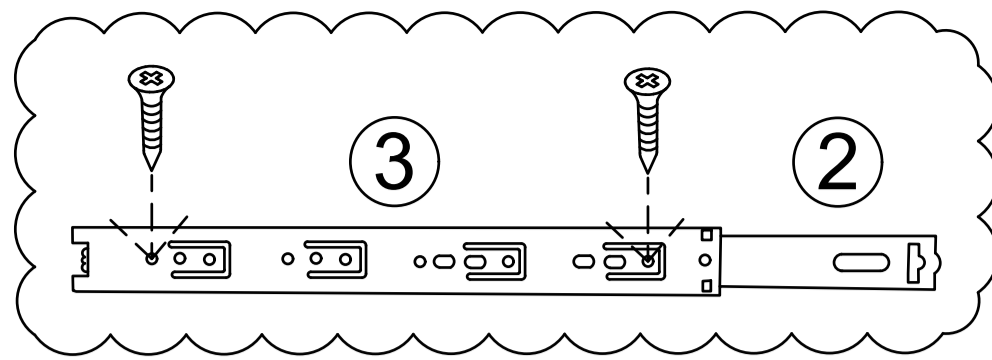
Step 49



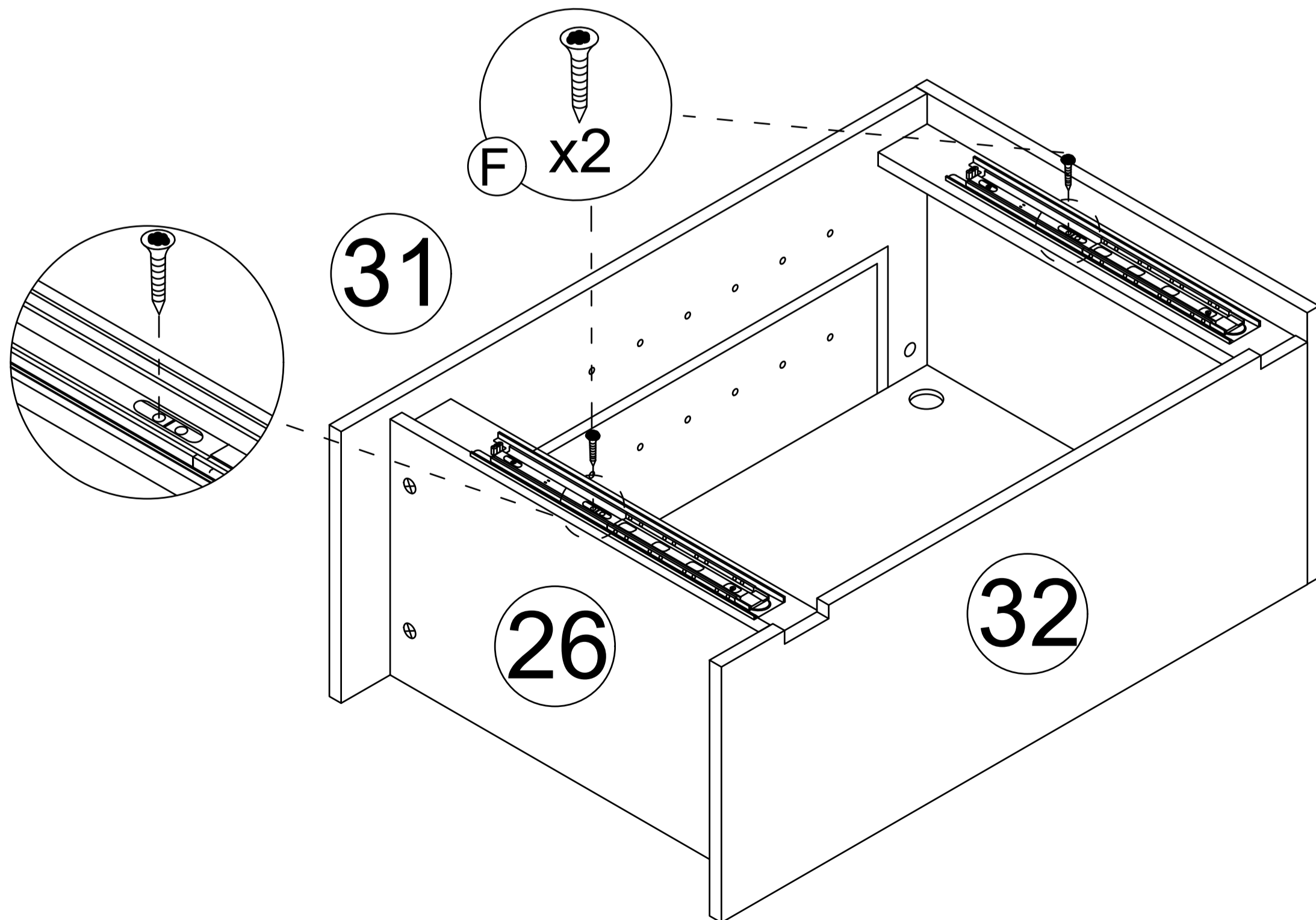
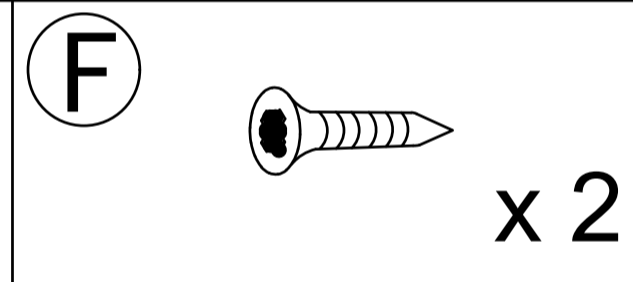
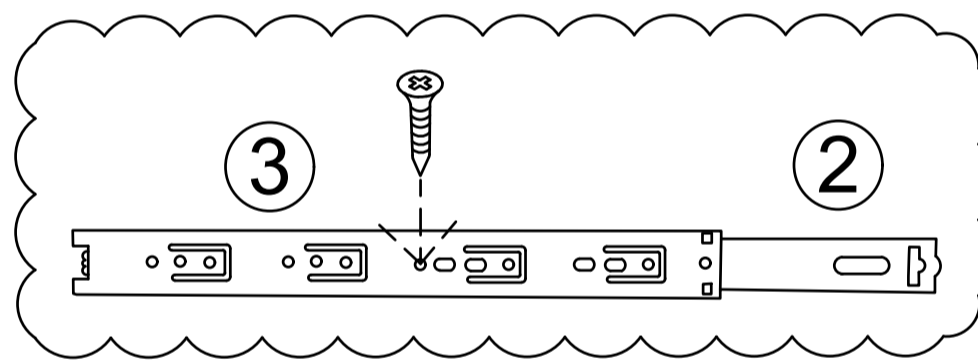
Step 50



Step 51



Step 52

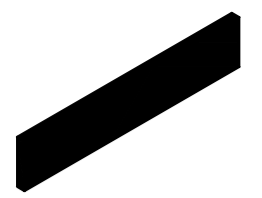


This hole is a reinforced fixing hole which can be installed as required

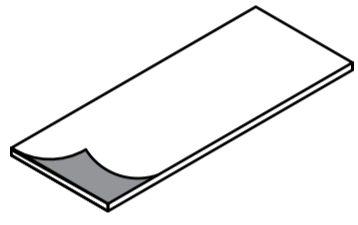
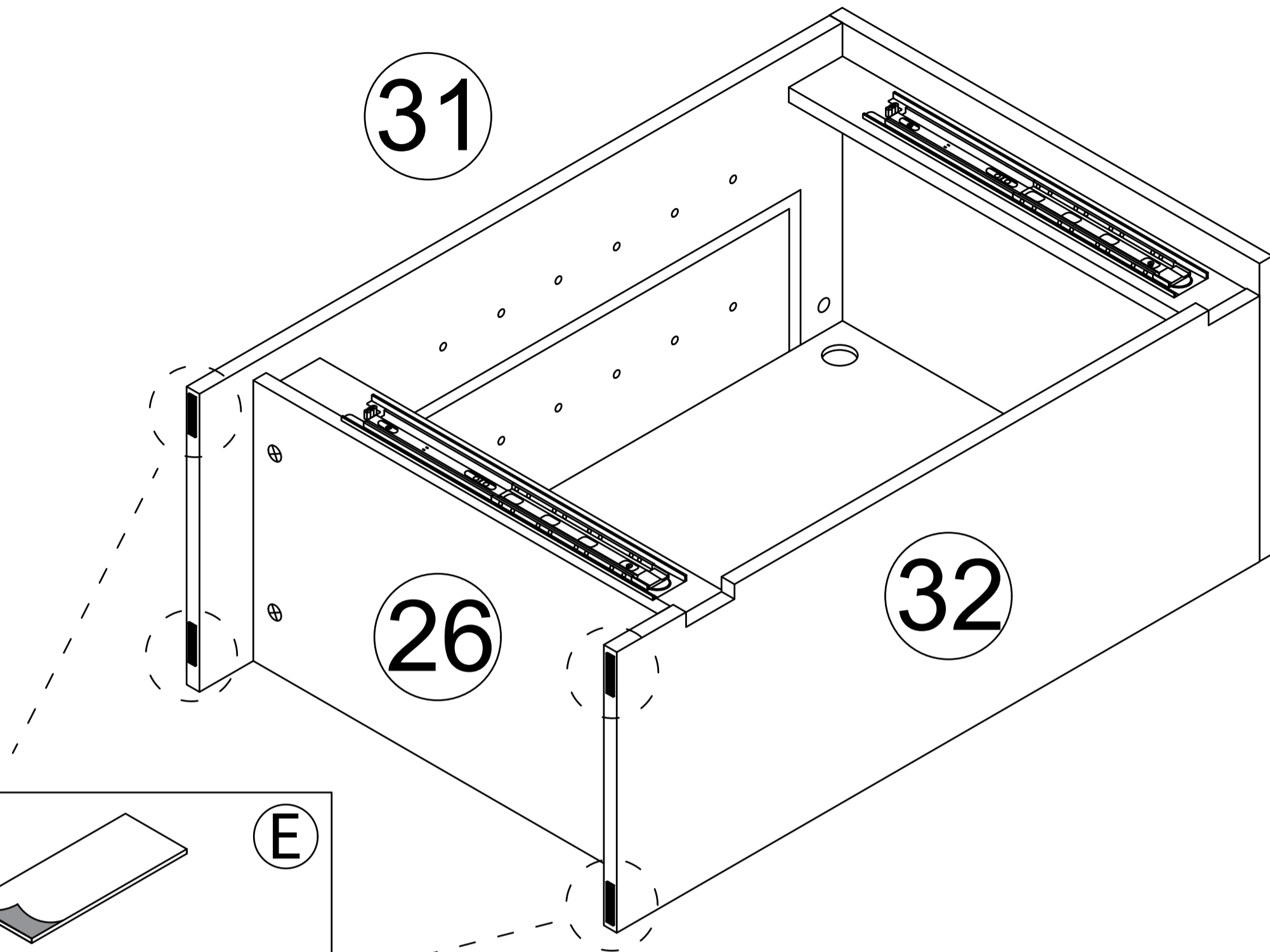
SY

Step 53

E



x4

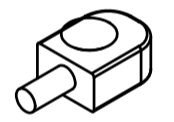


E

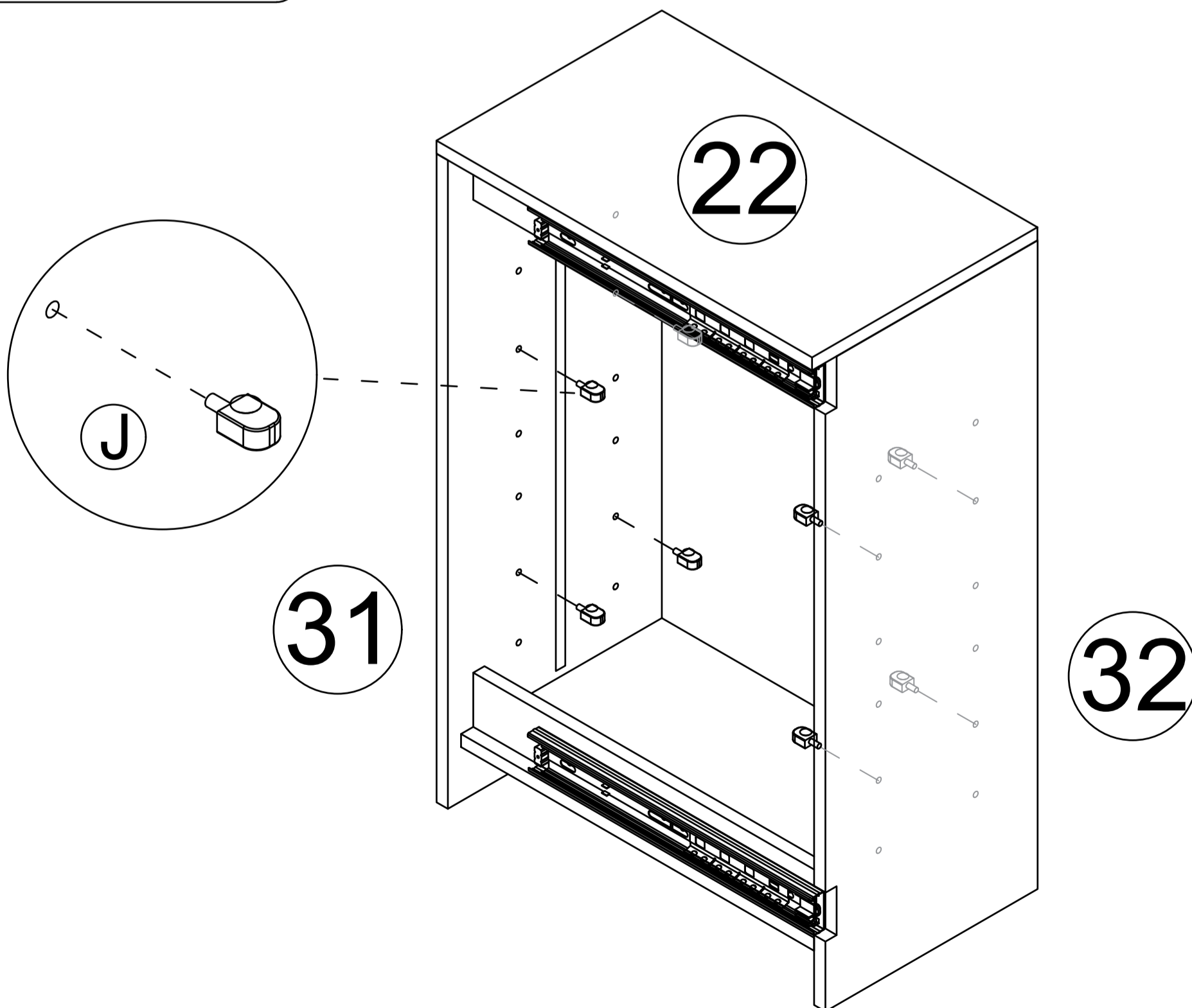
Tear off release paper and stick the black foot pad on the board

Step 54

J



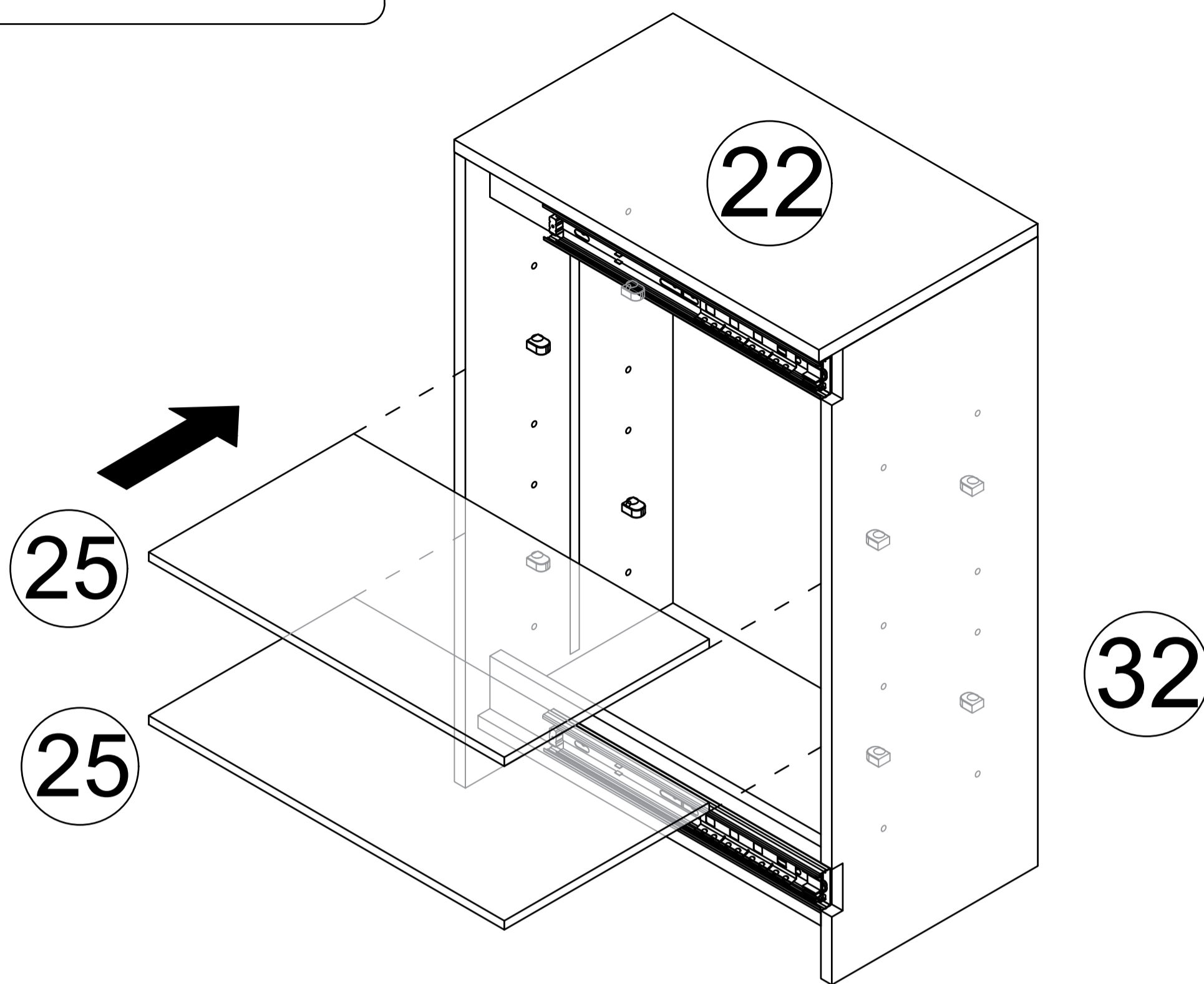
x8



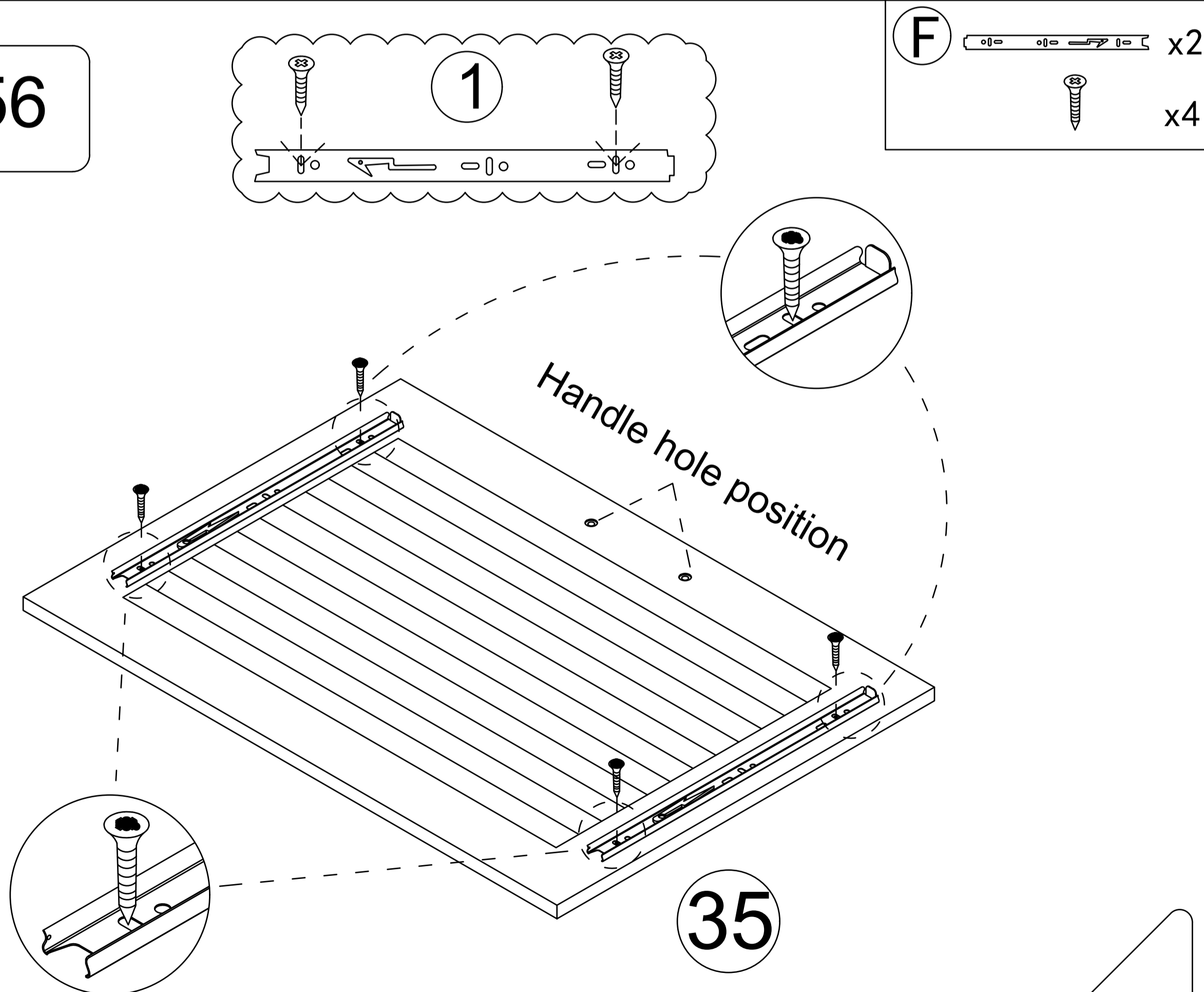
36

SY

Step 55

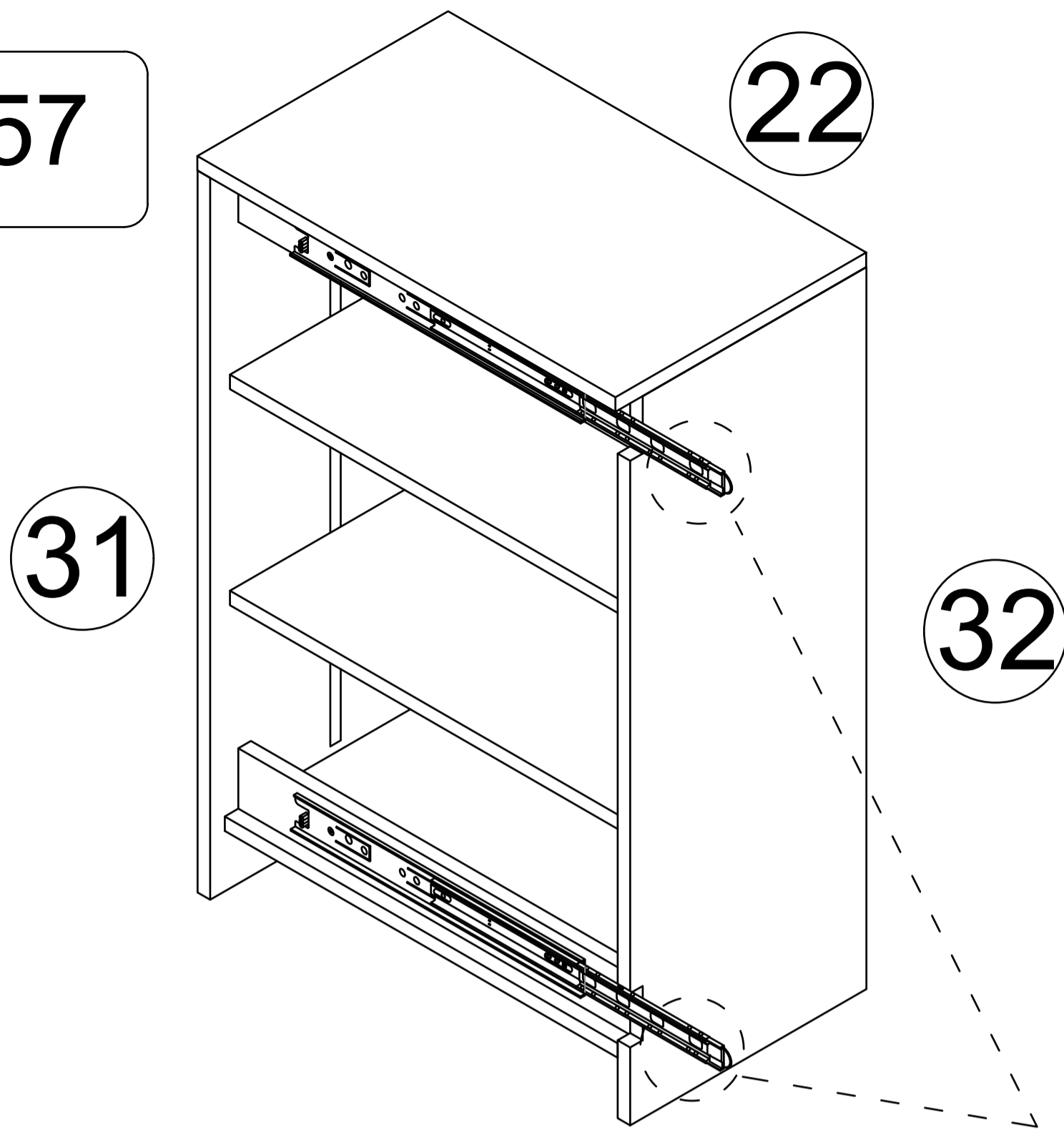


Step 56



Pay attention to the guide rail installation direction

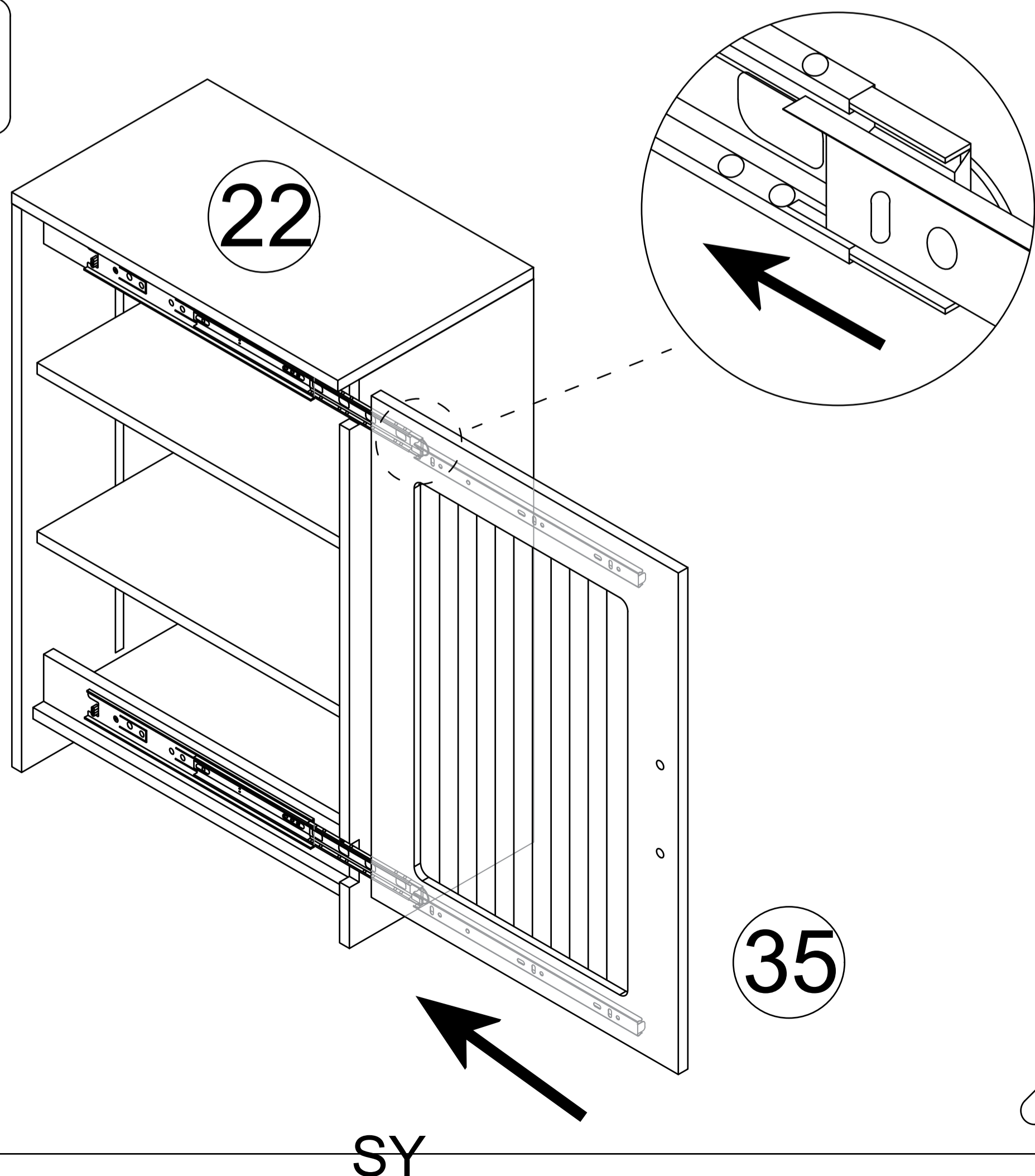
Step 57



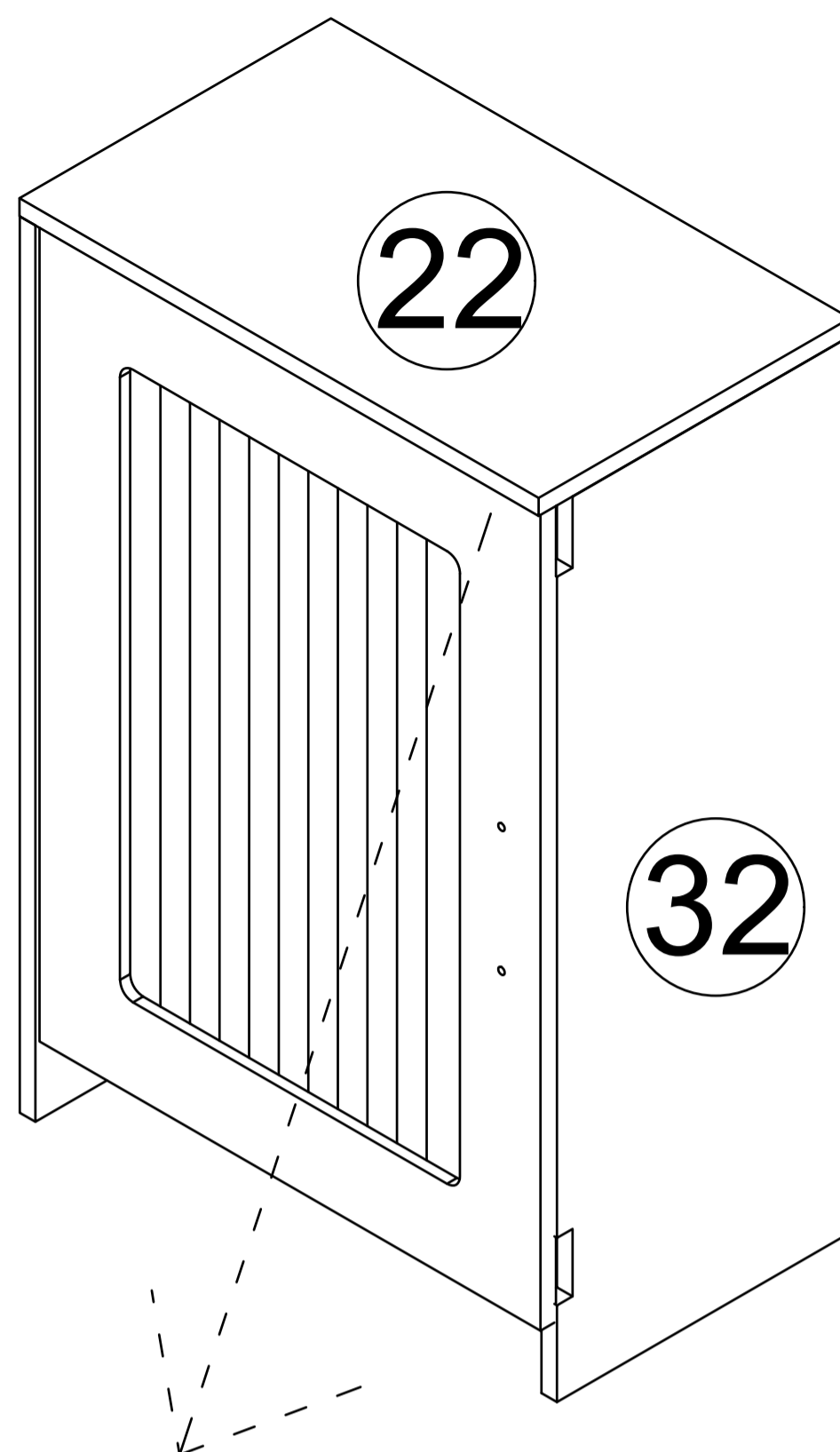
C:\Users\Admin\Desktop\101.png

As shown, When installing the drawer, pull the guide rail out first, Slide beads are also pulled out.

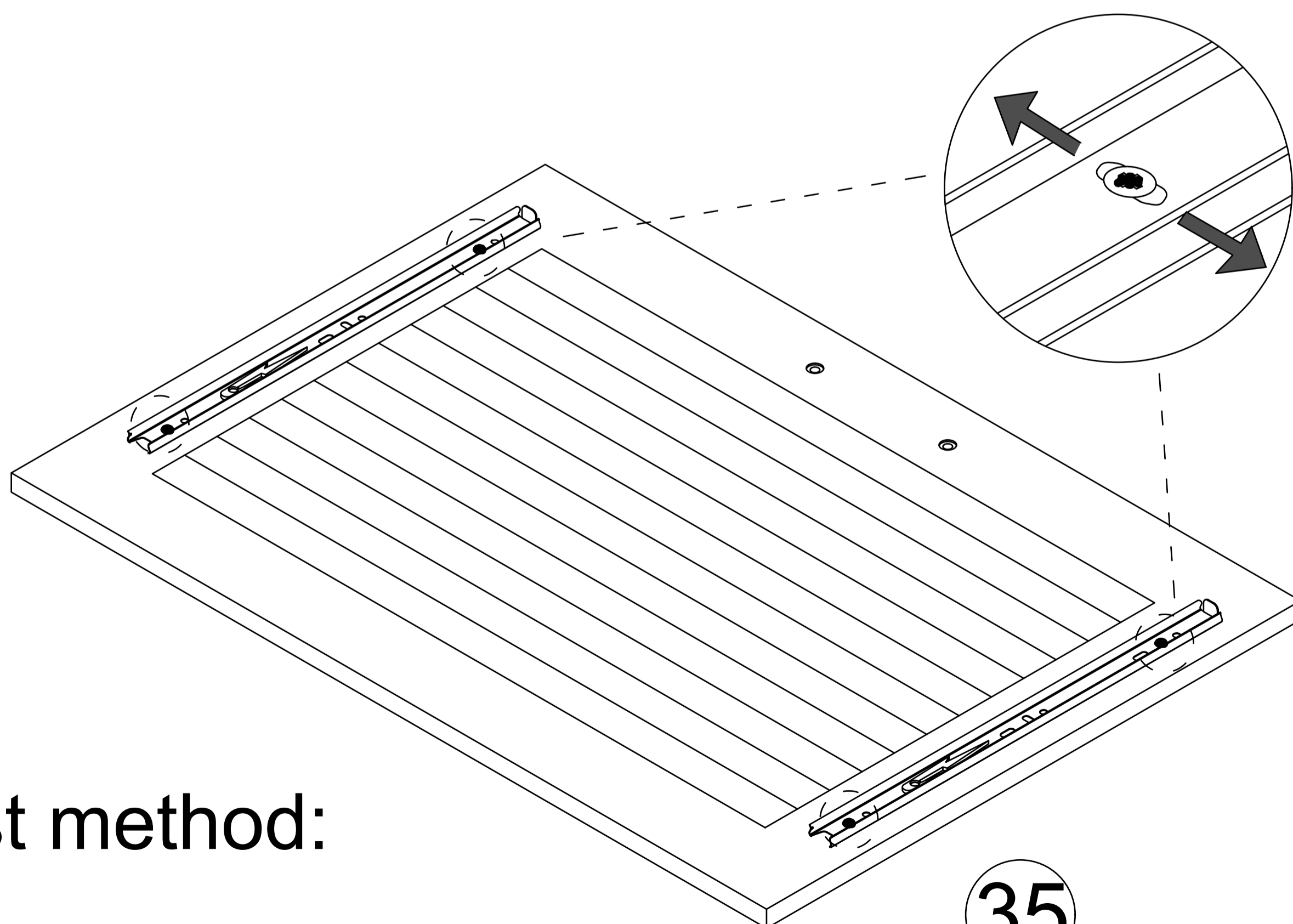
Step 58



Step 59



After installing the door, if you find that the gap is large or obstructed, you can remove the door to adjust

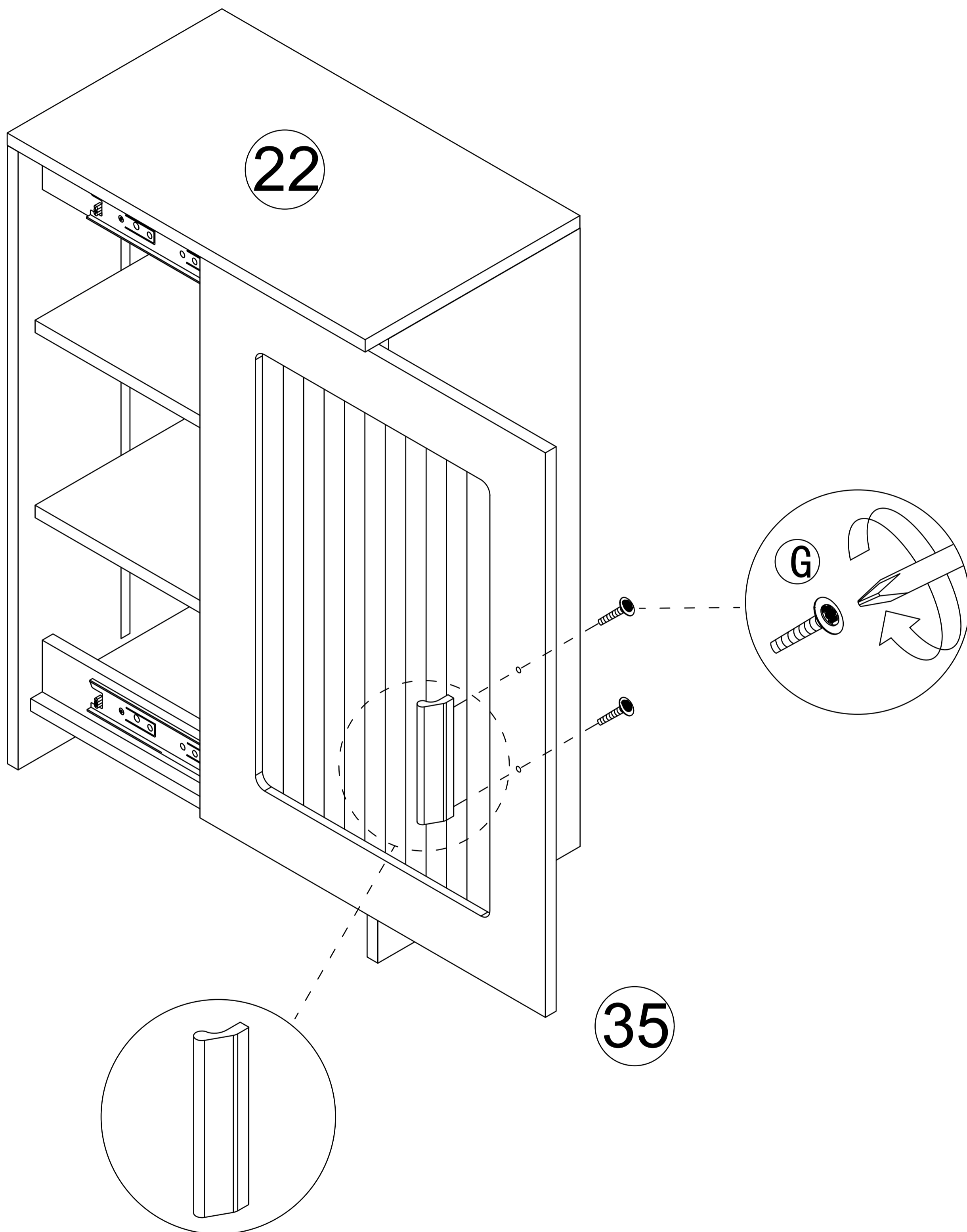
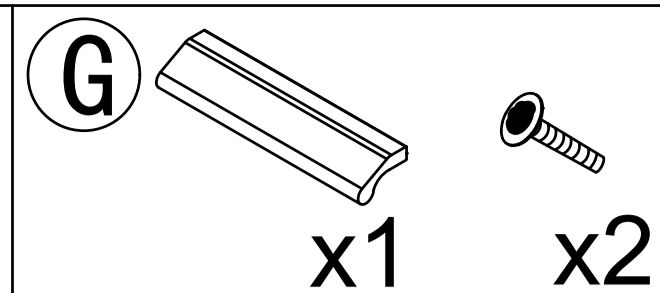


Adjust method:

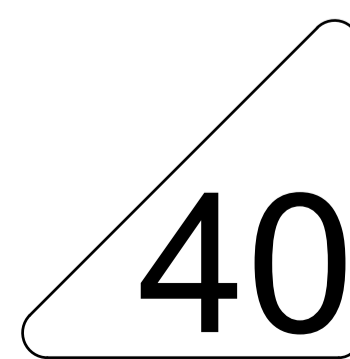
First loosen the screw a little, adjust the guide rail before locking

39

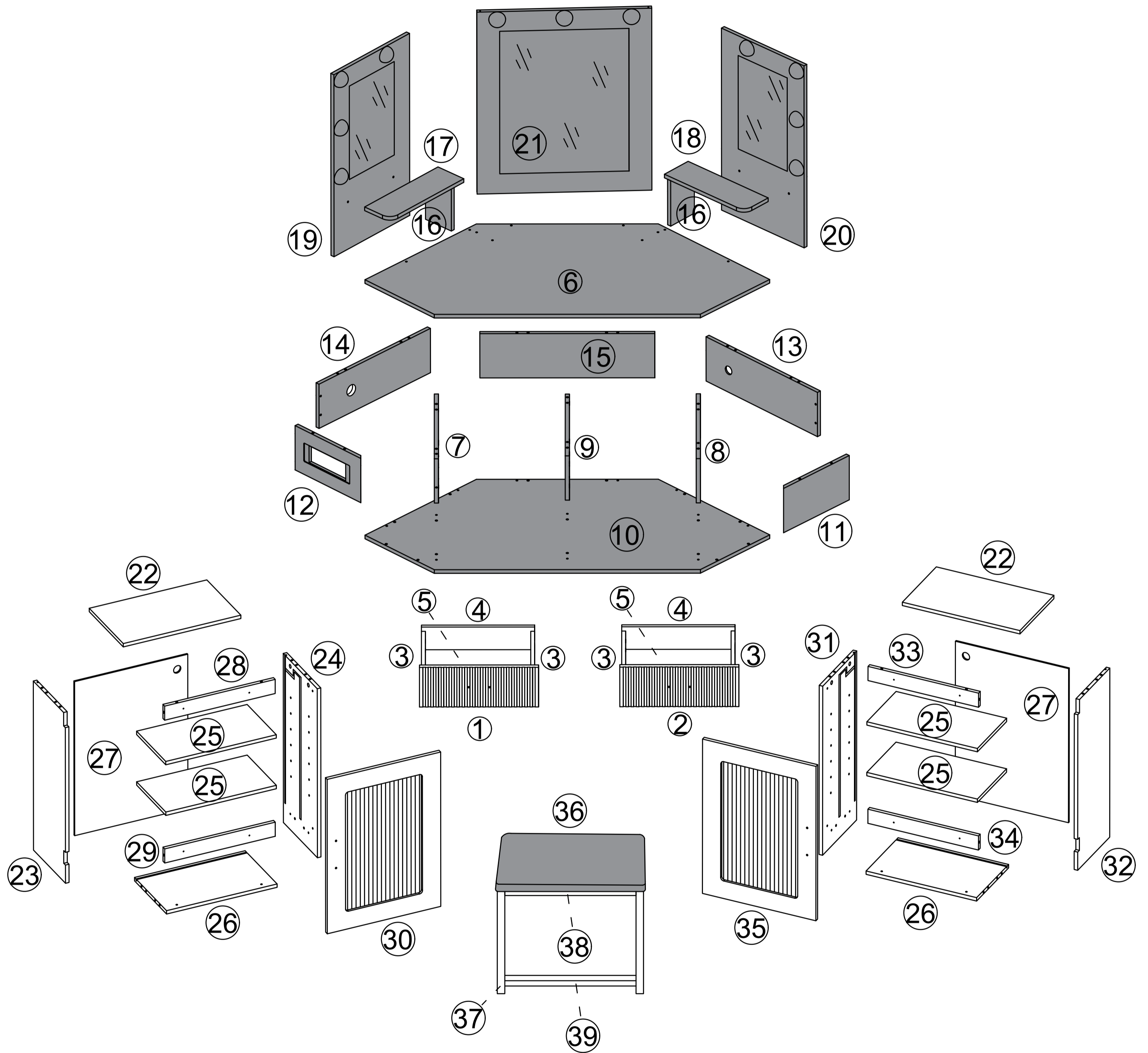
Step 60



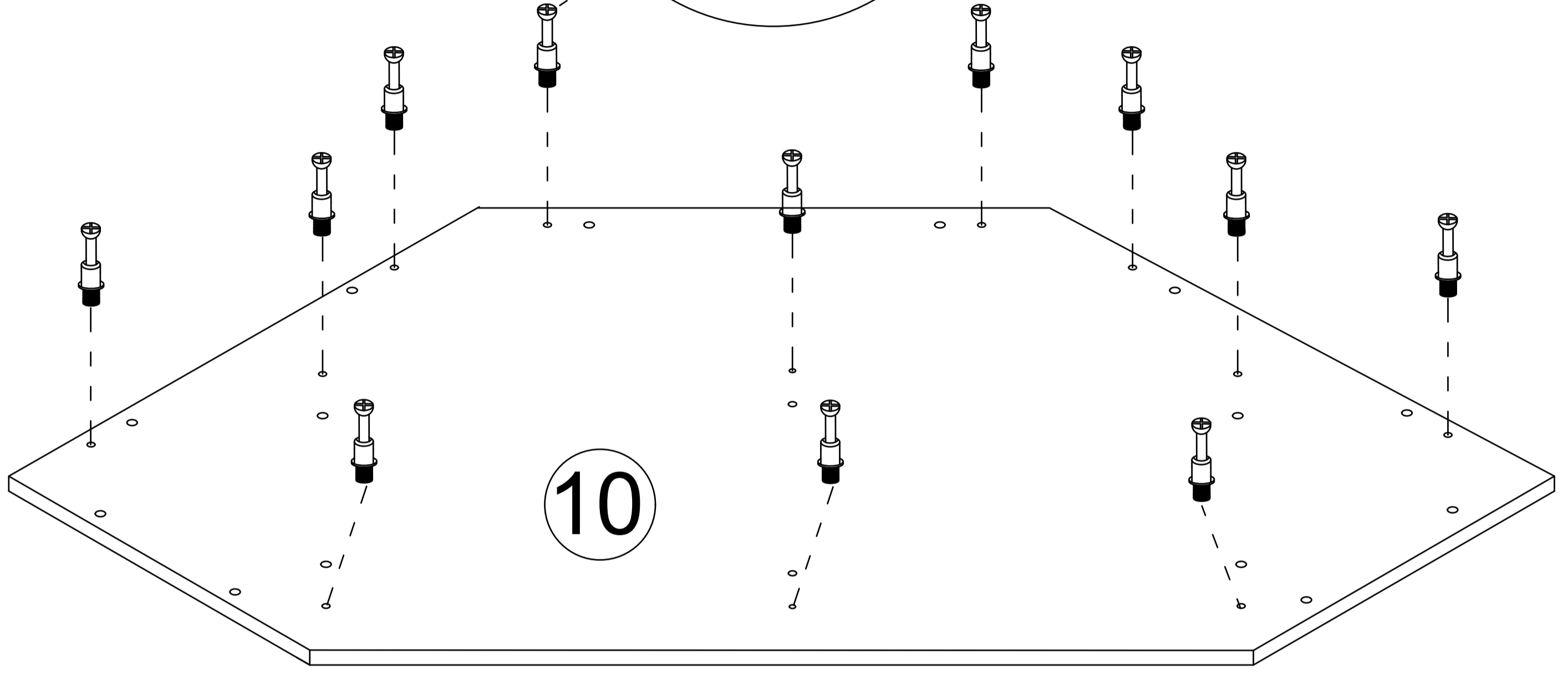
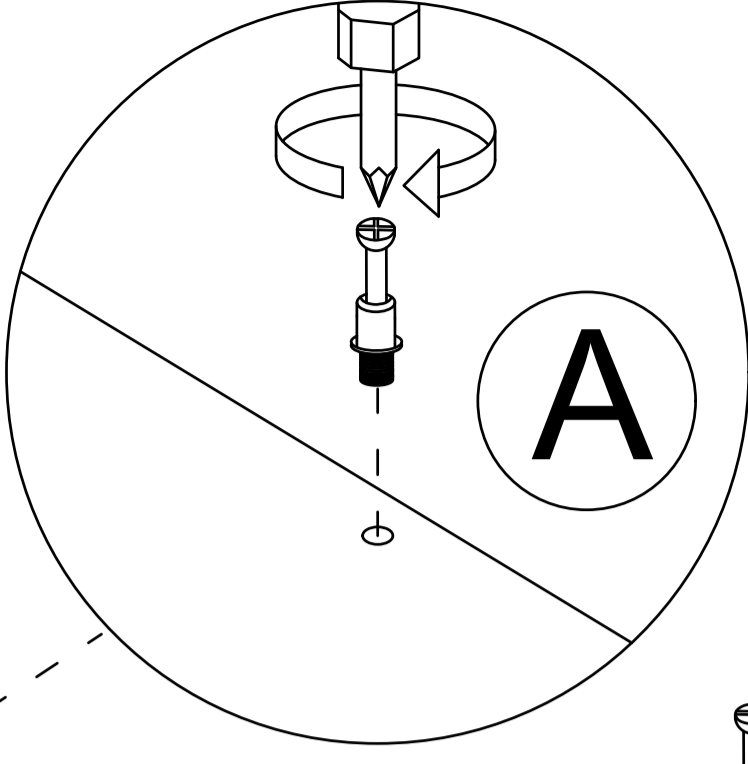
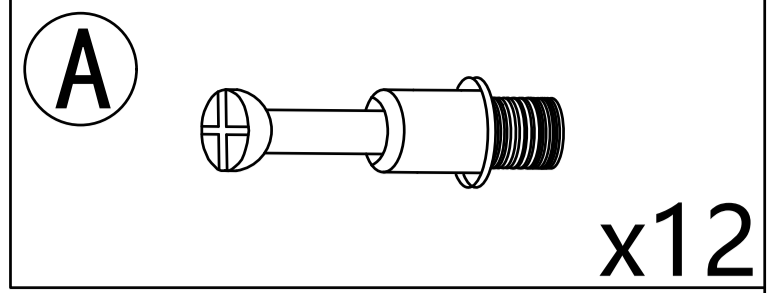
Pay attention to the handle installation direction



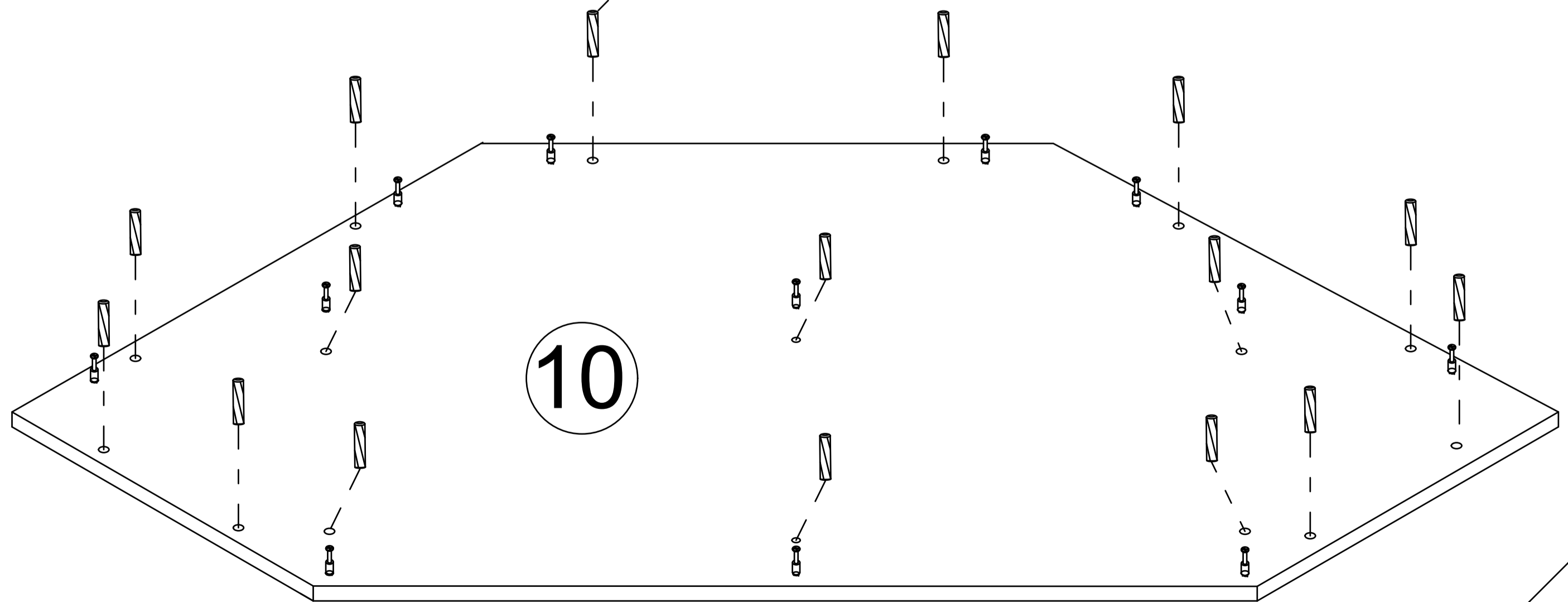
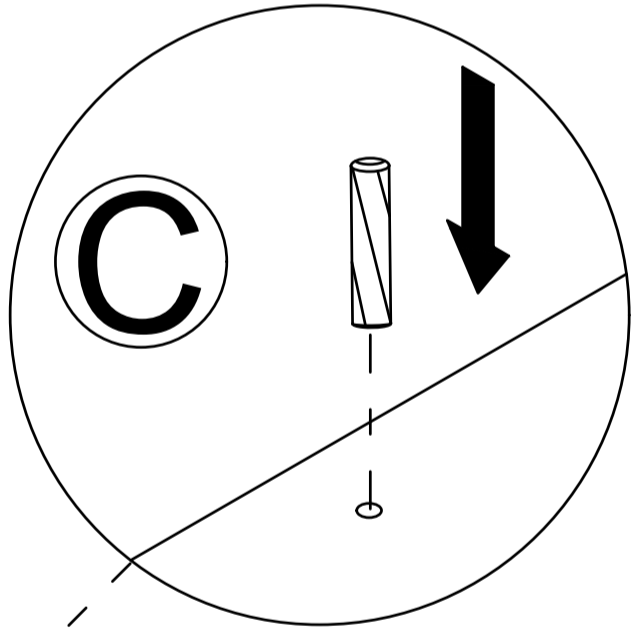
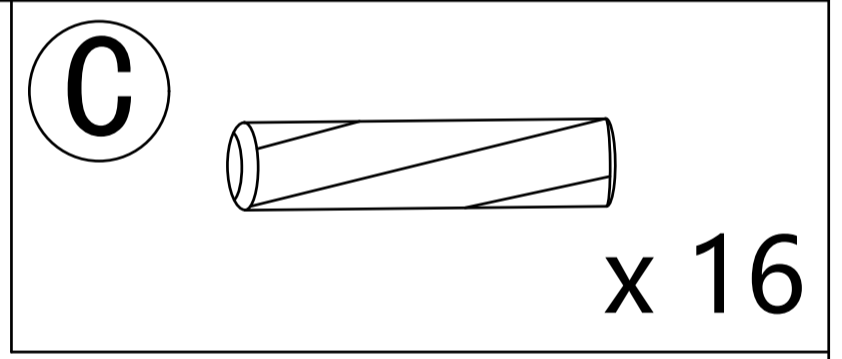
Product structure decomposition



Step 61

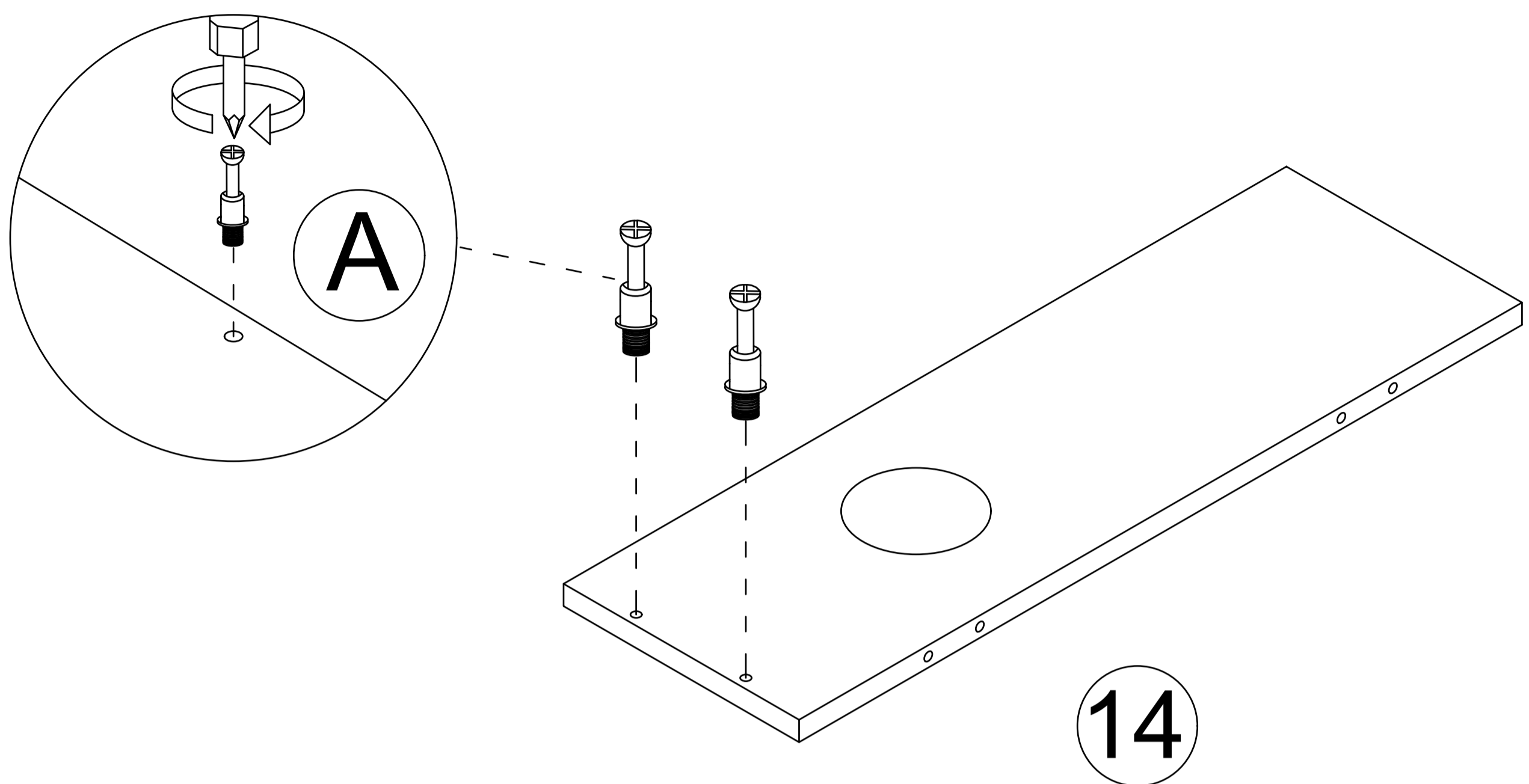
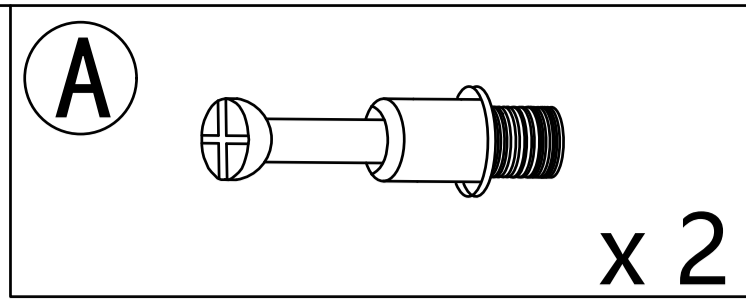


Step 62

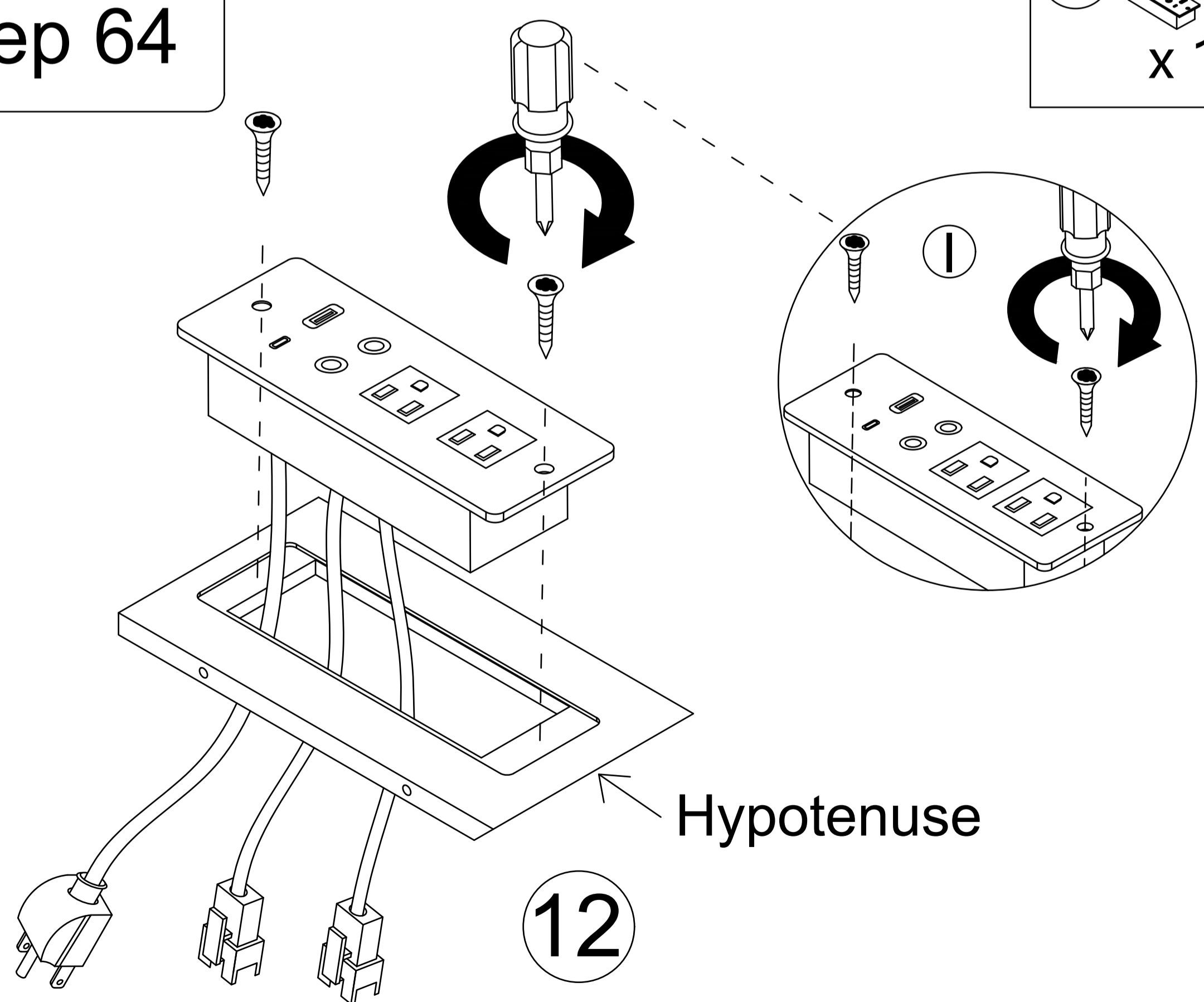
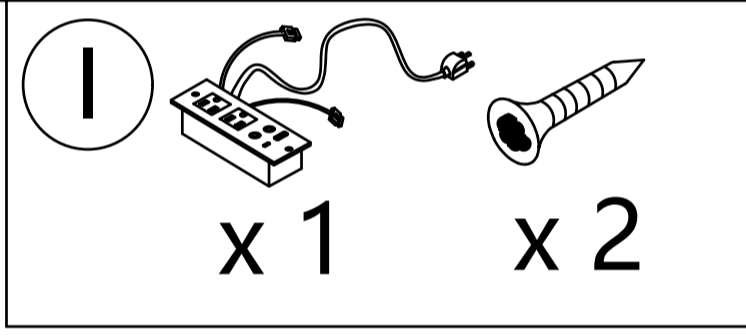


42

Step 63

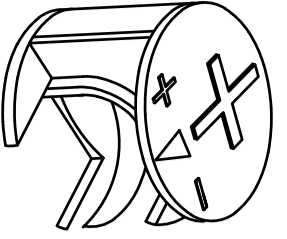


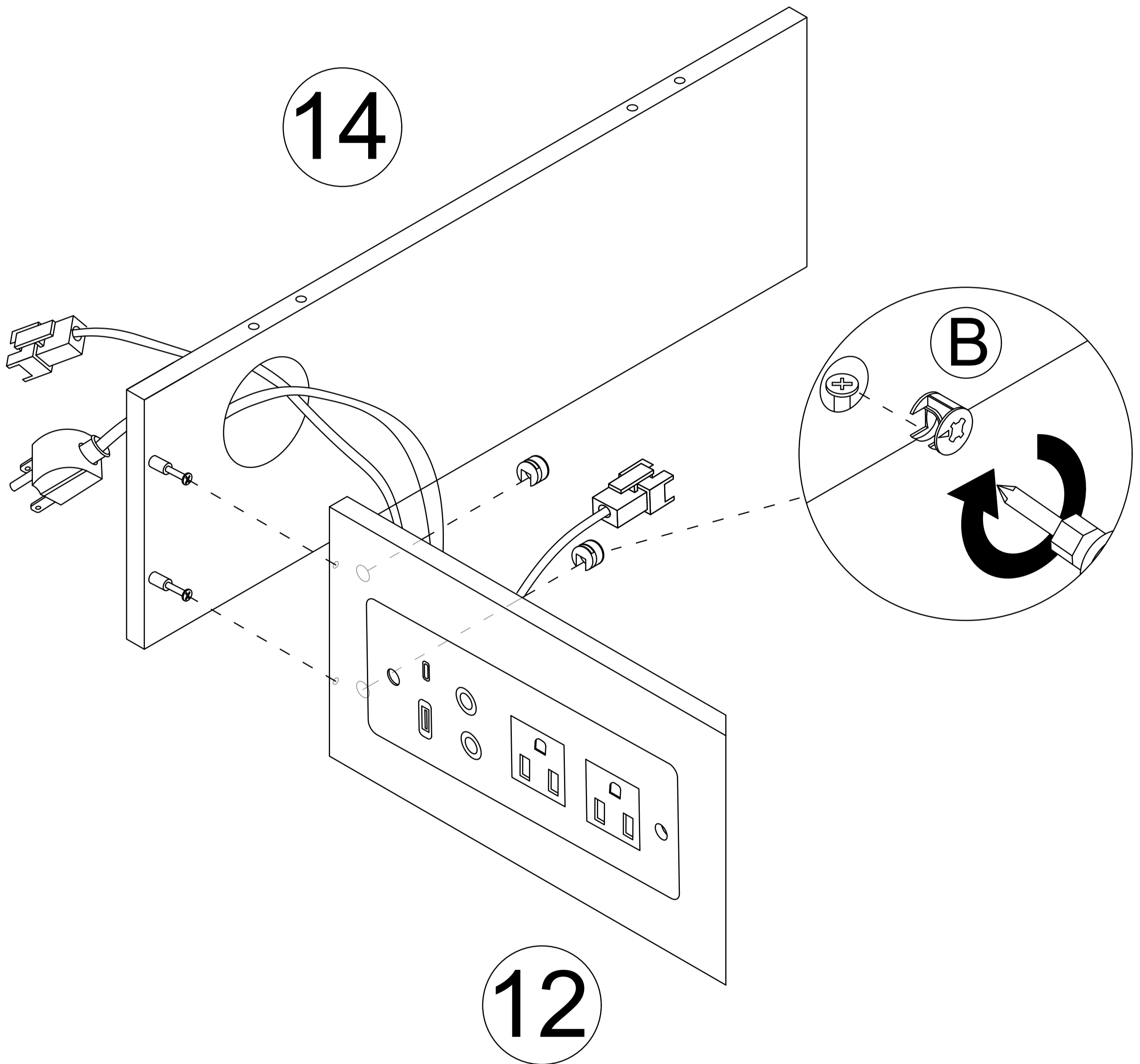
Step 64



Pay attention to the smart box installation direction

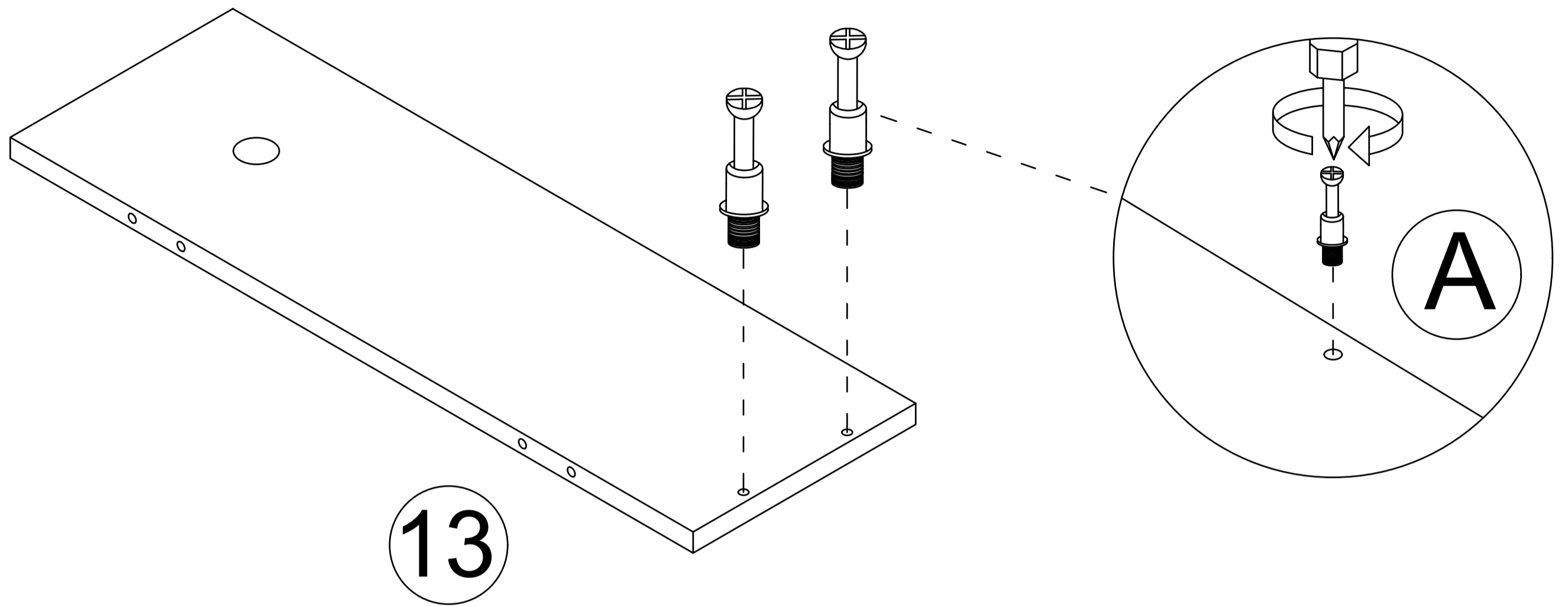
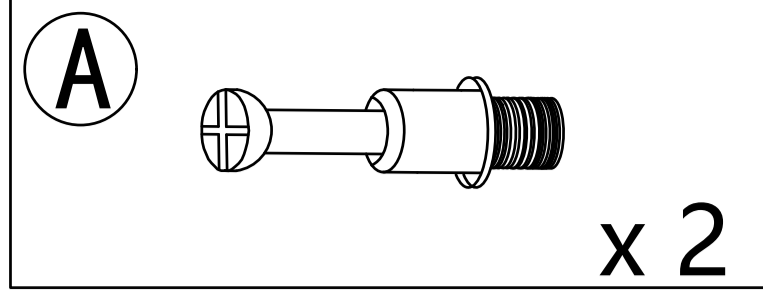
Step 65

B  x 2

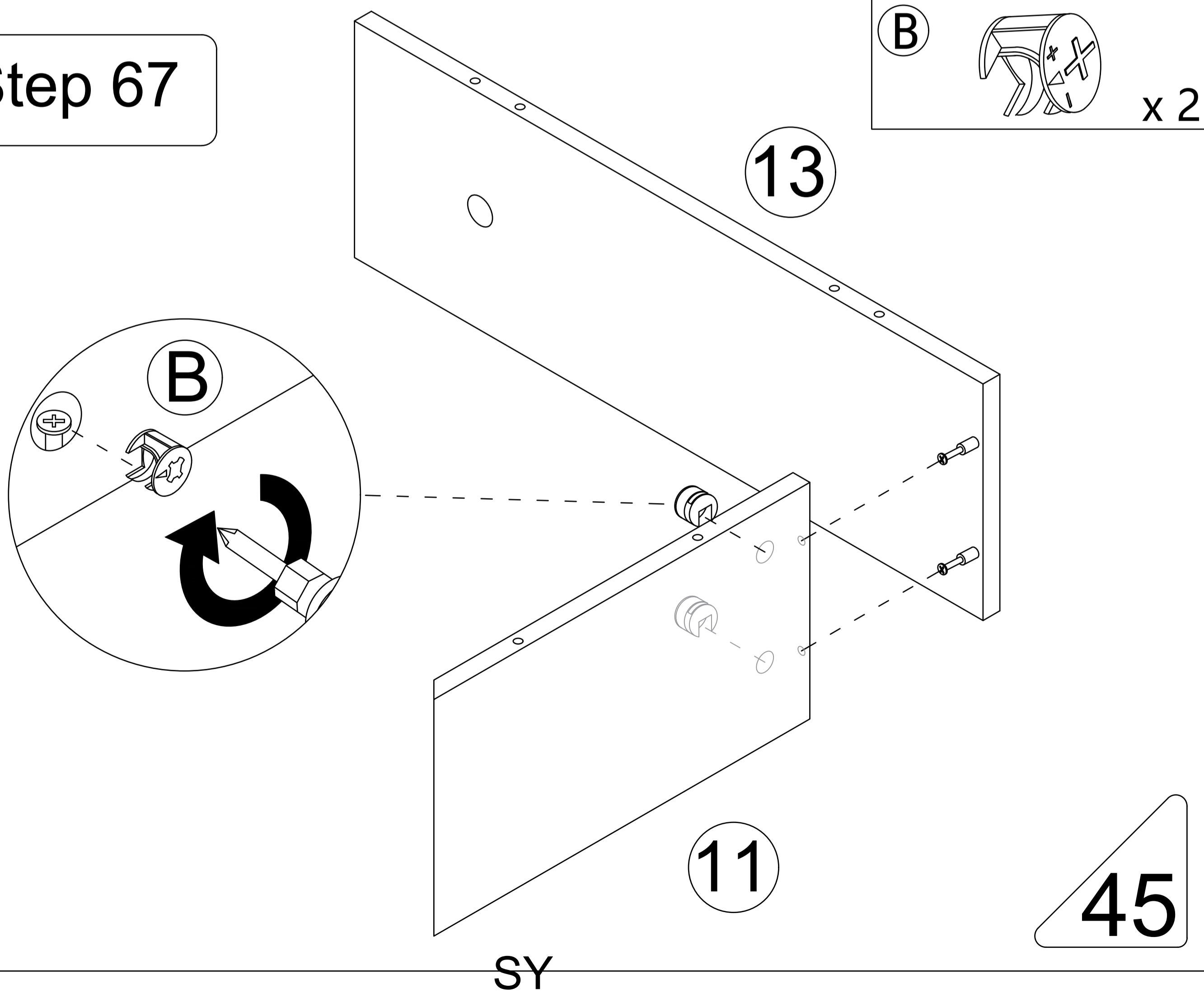
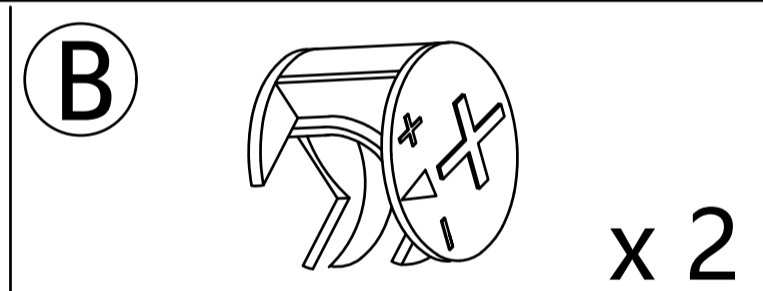


44

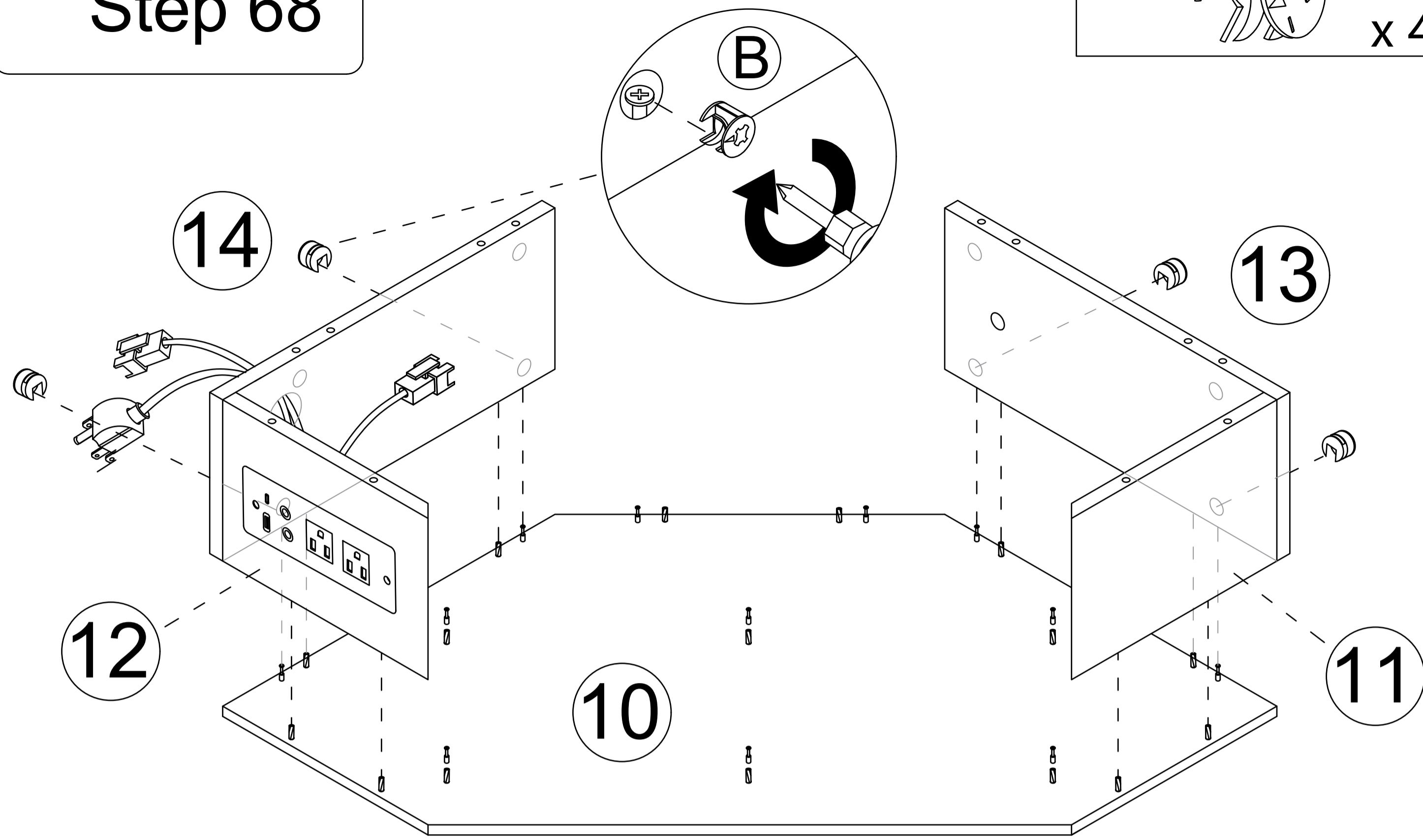
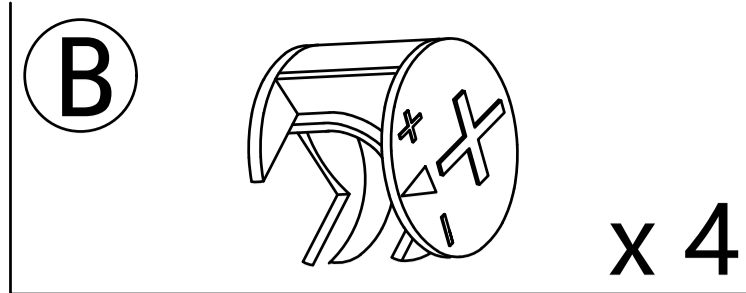
Step 66



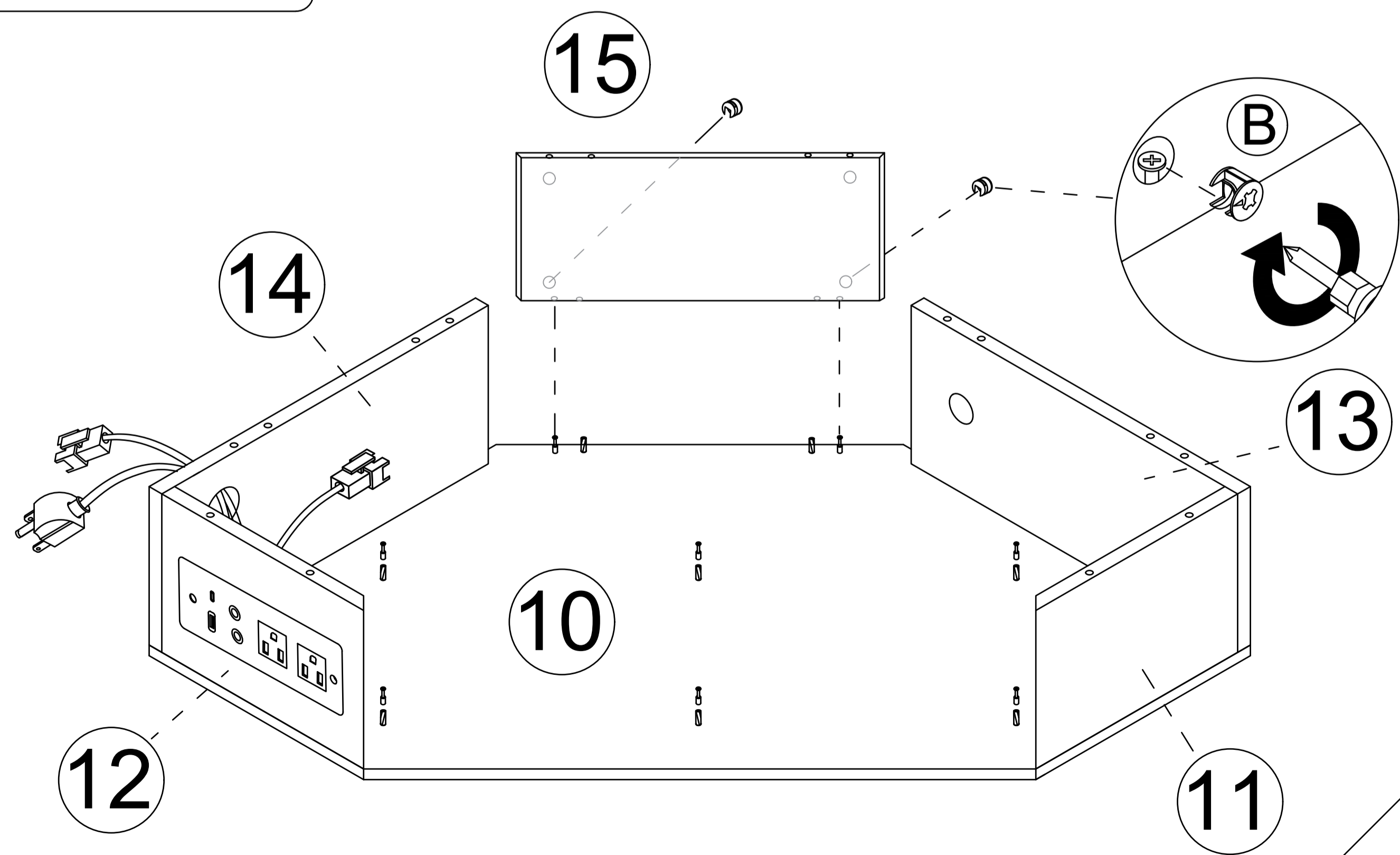
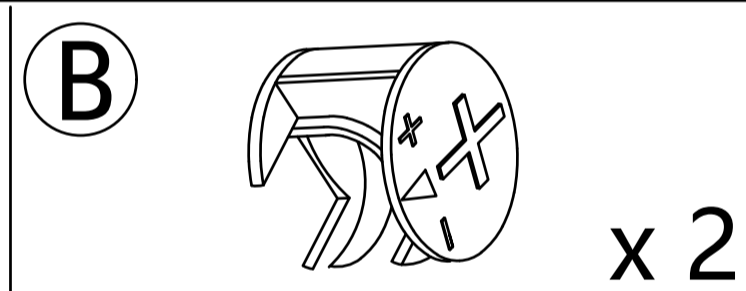
Step 67



Step 68

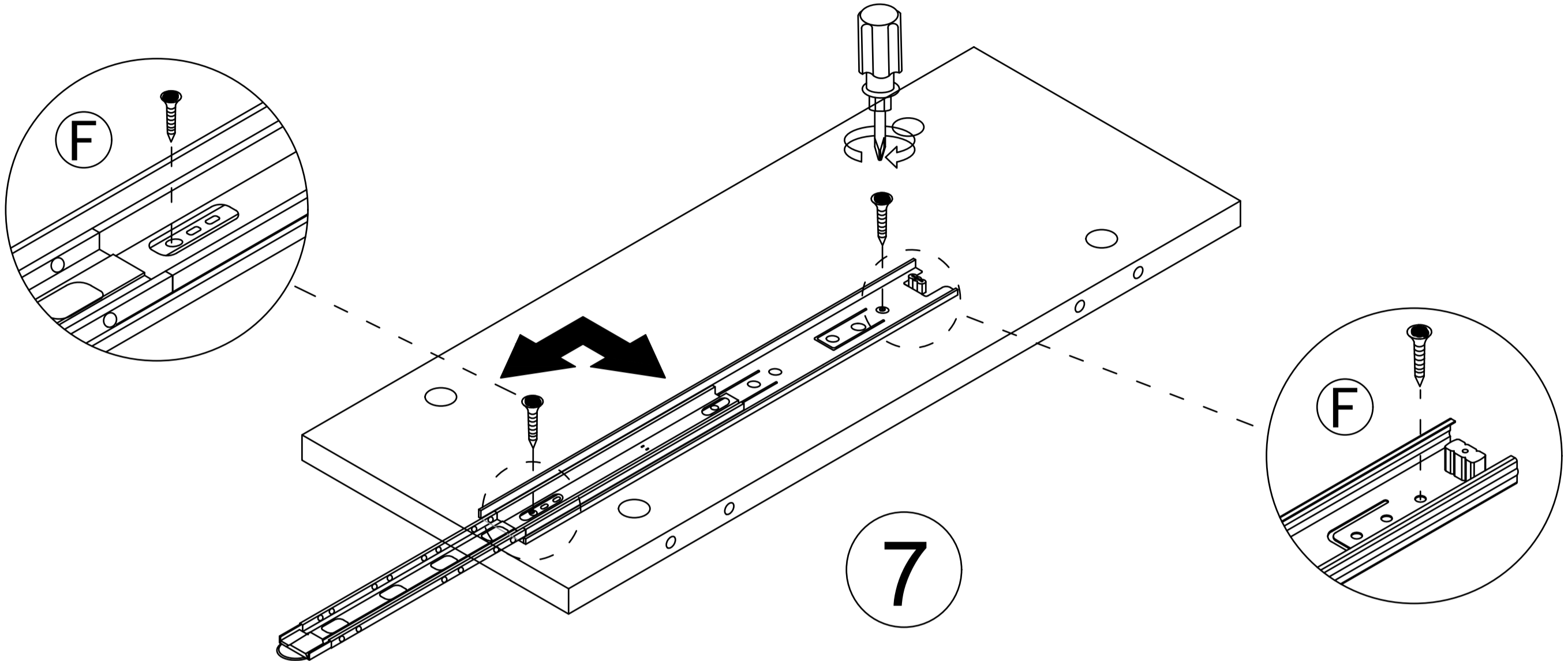
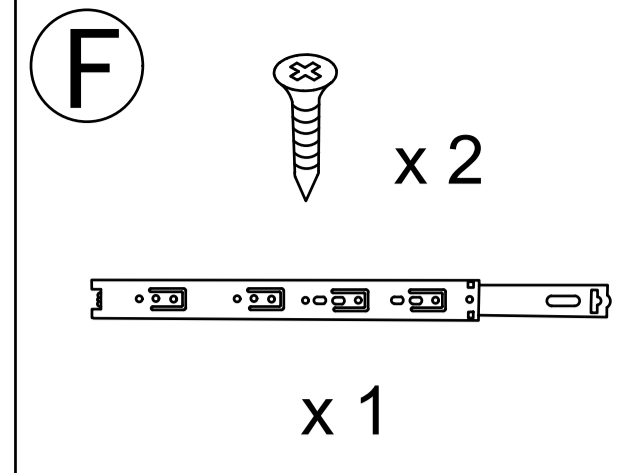
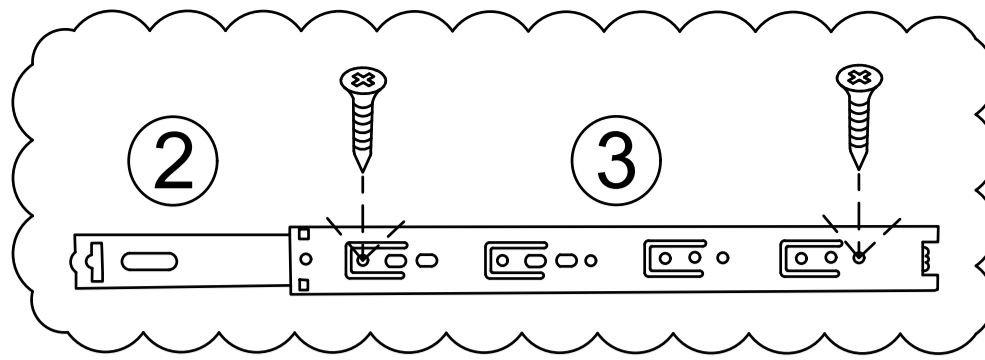


Step 69

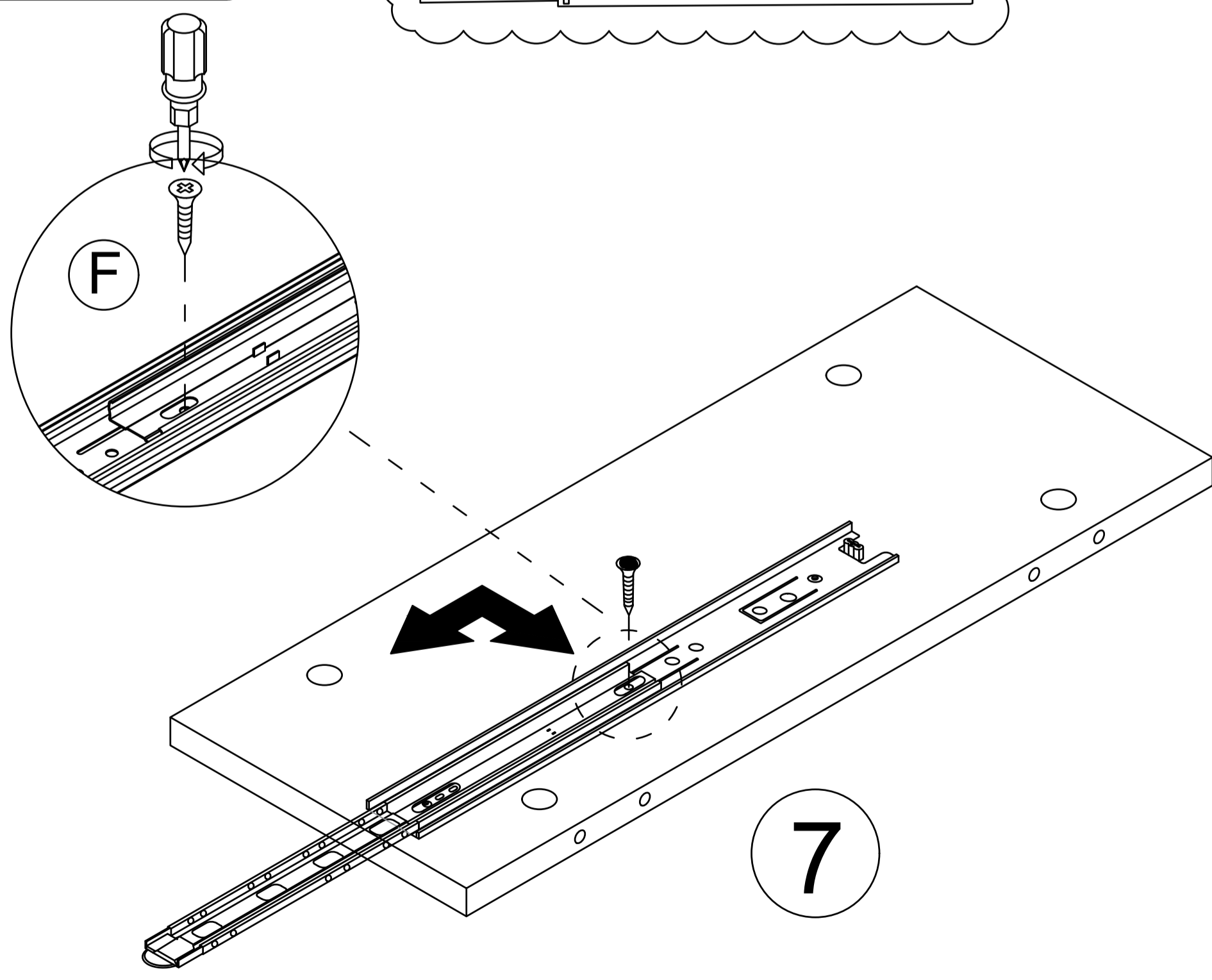
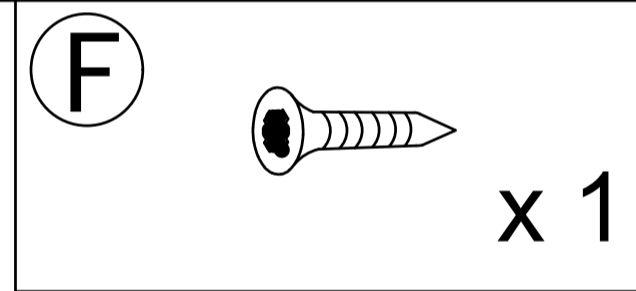
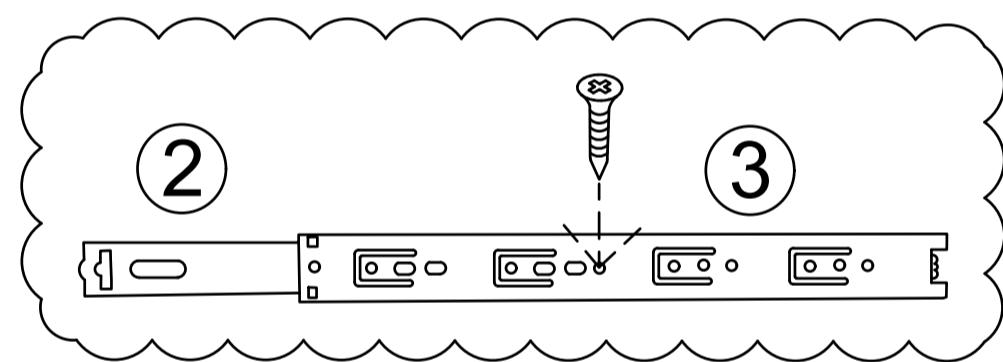


46

Step 70



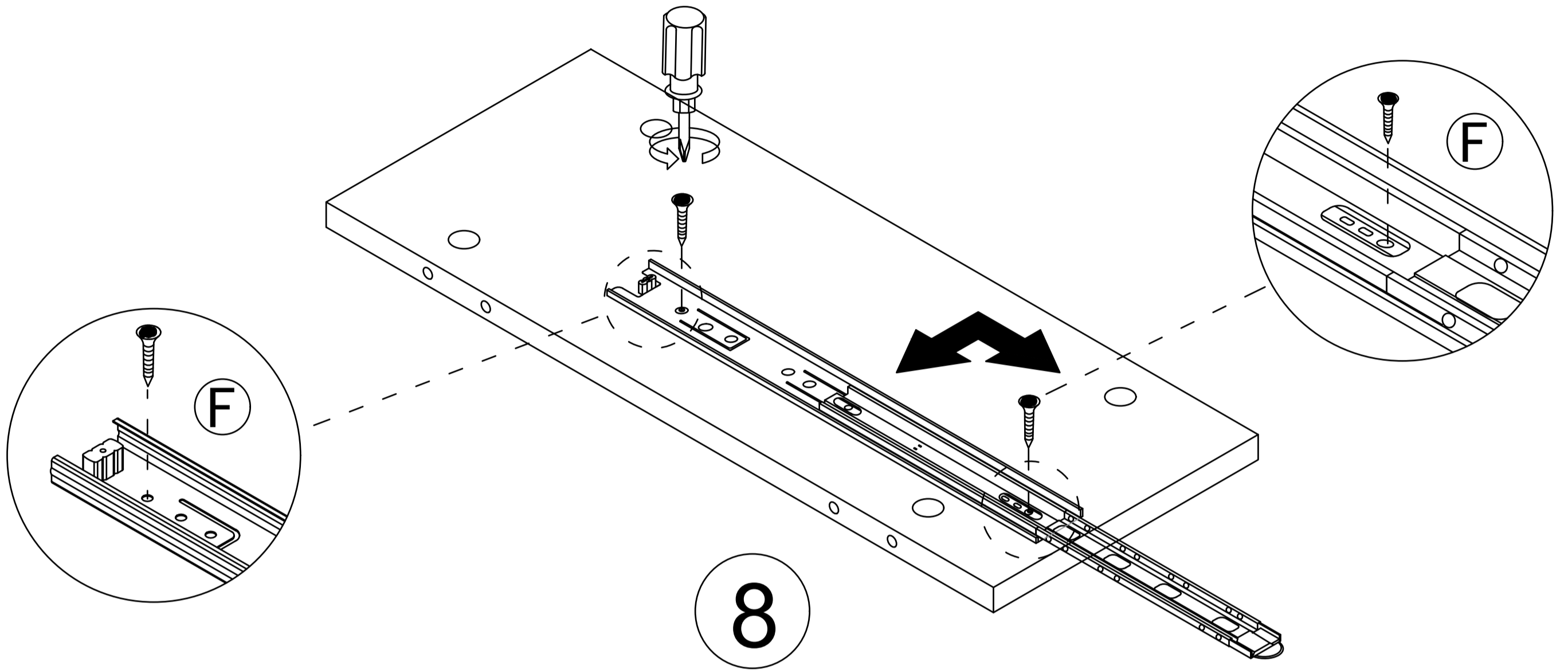
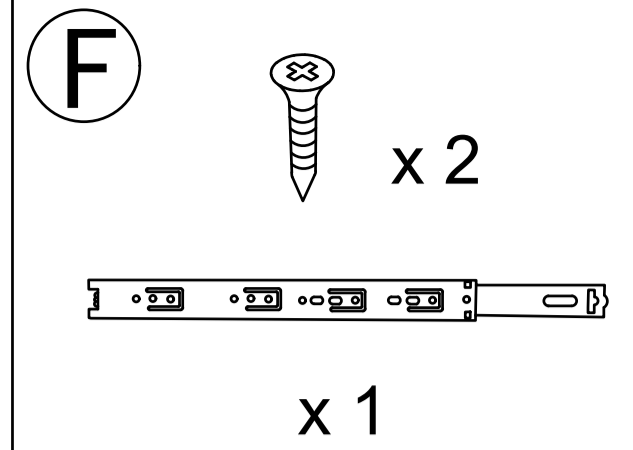
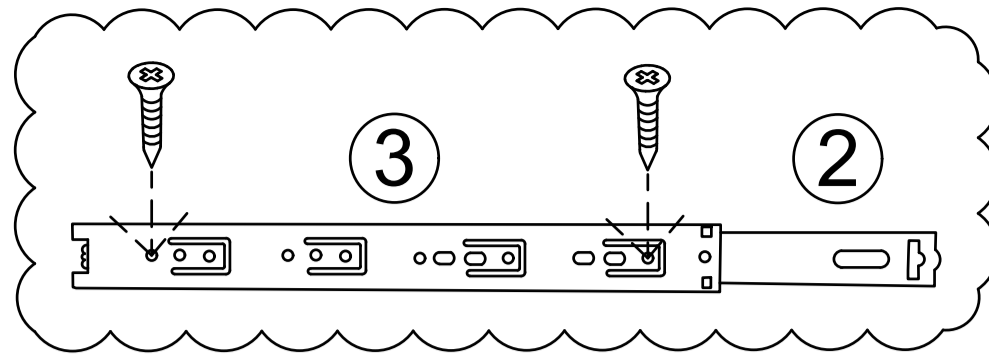
Step 71



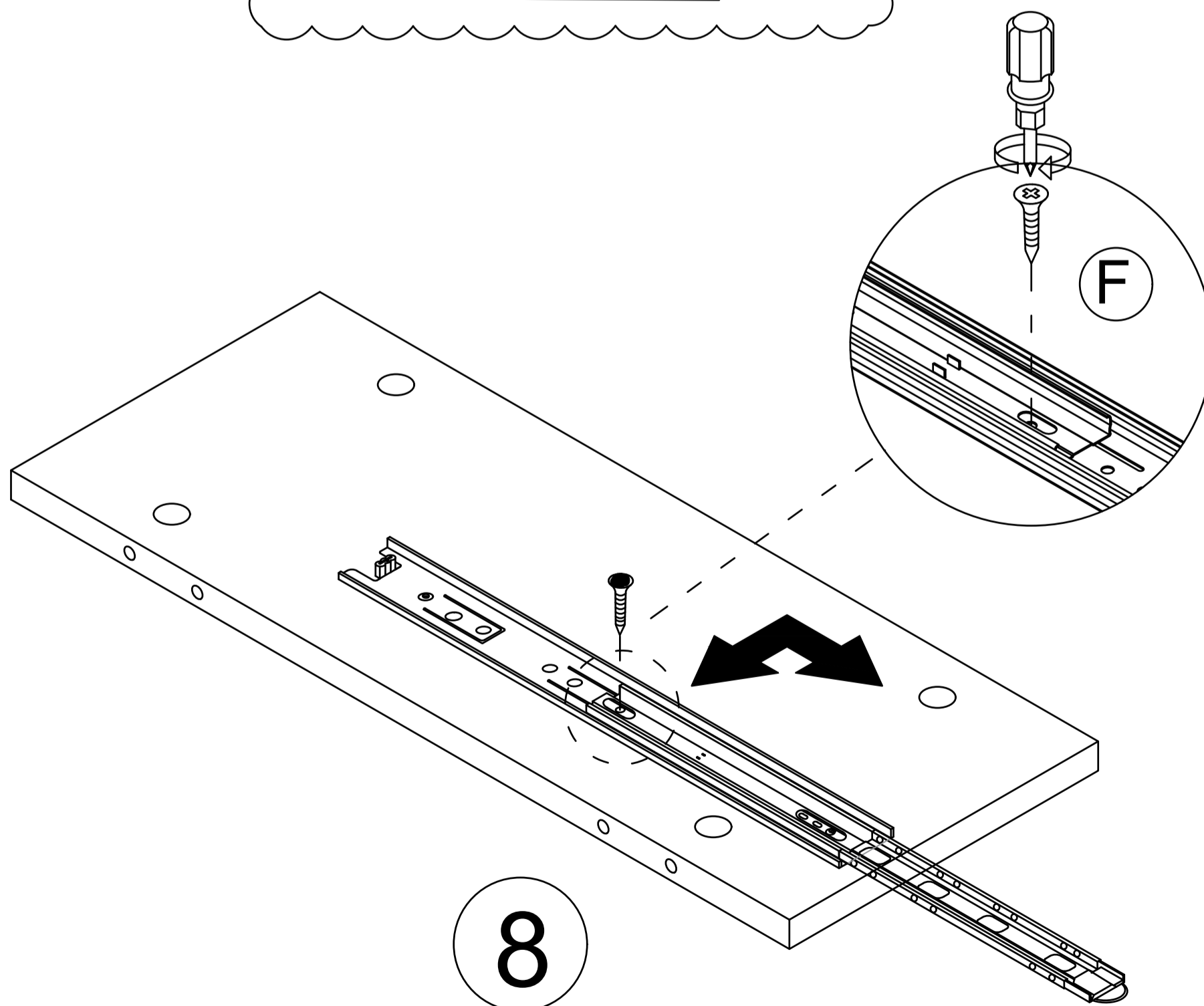
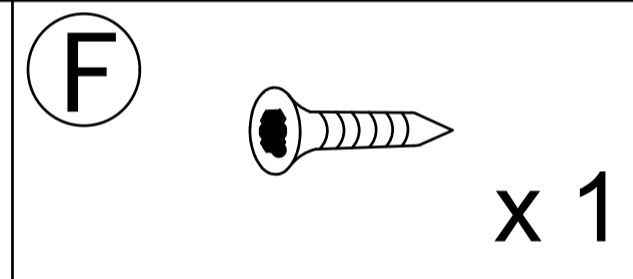
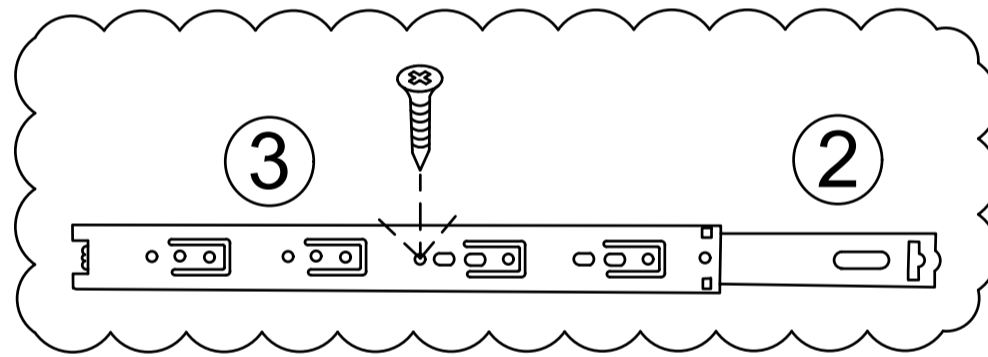
This hole is a reinforced fixing hole which can be installed as required

SY

Step 72



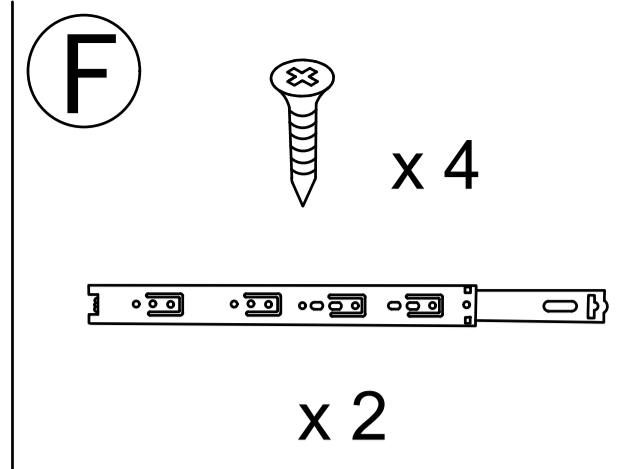
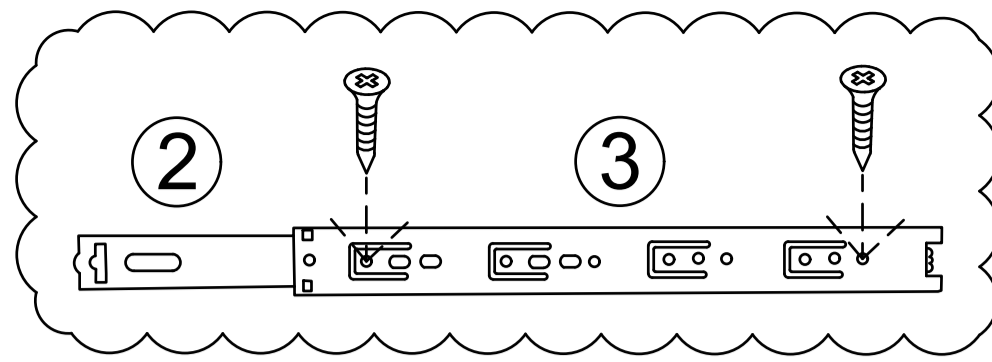
Step 73



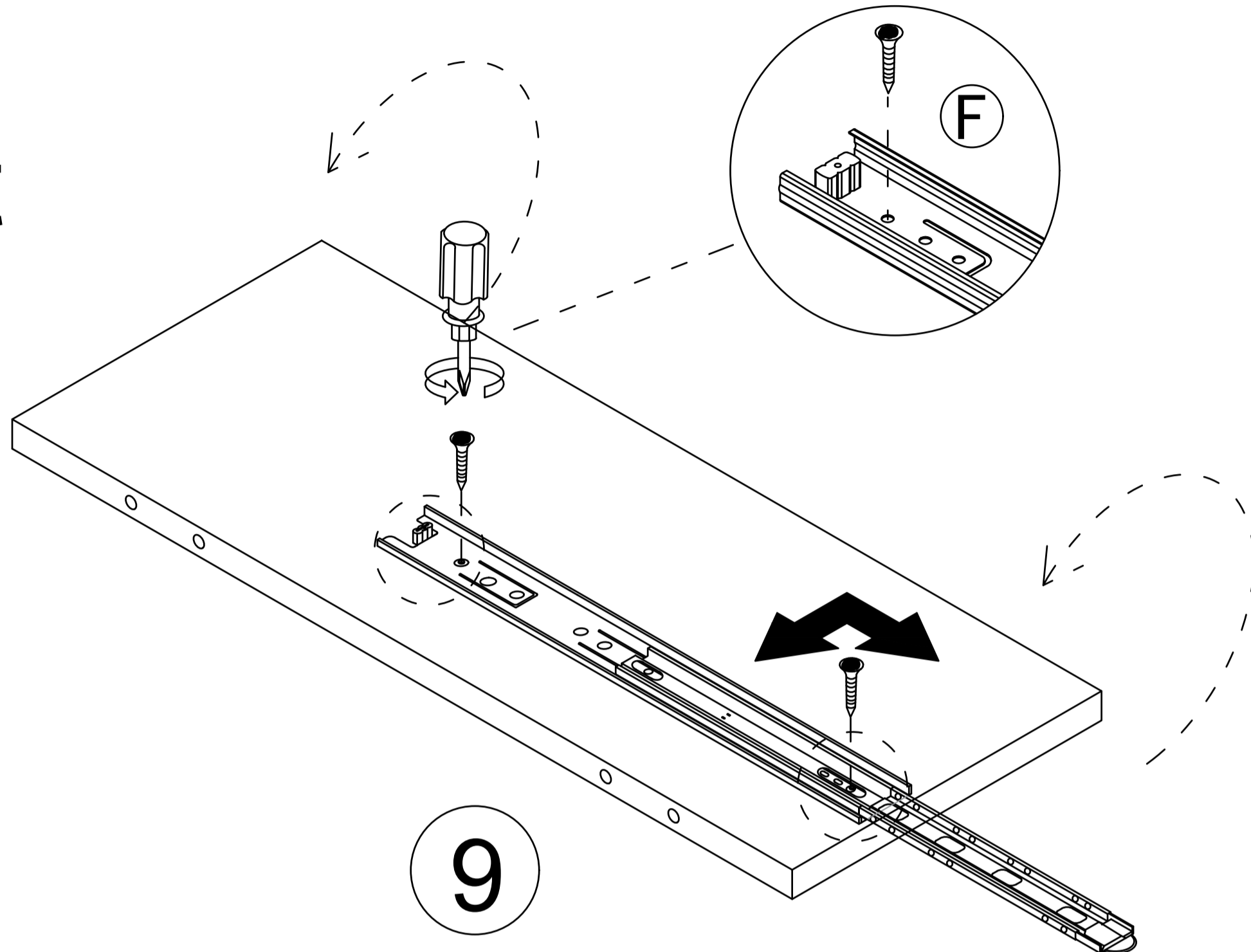
This hole is a reinforced fixing hole which can be installed as required

SY

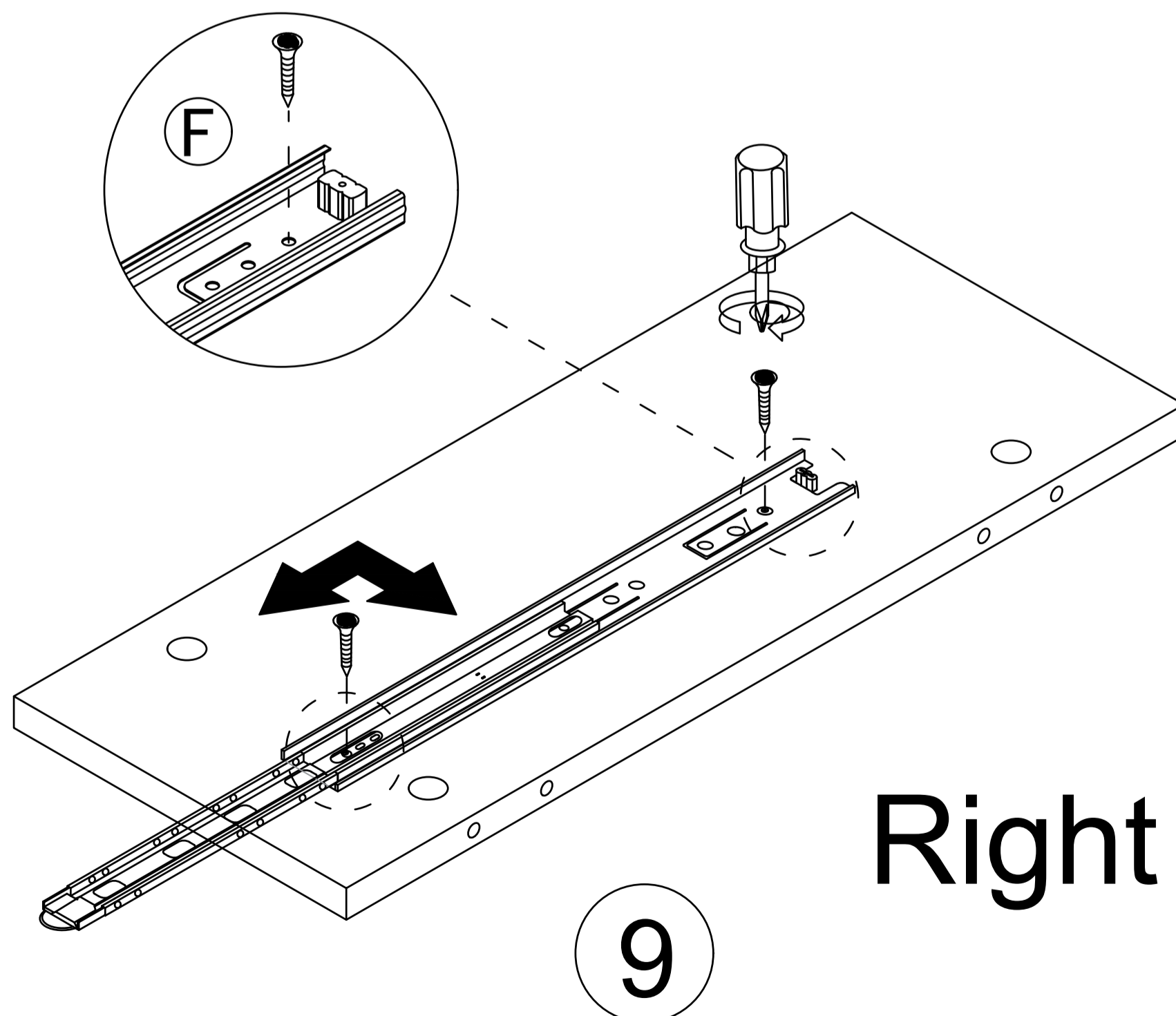
Step 74



Left

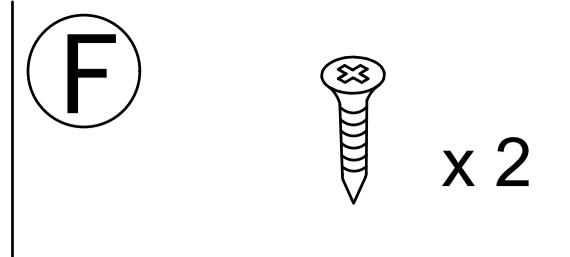
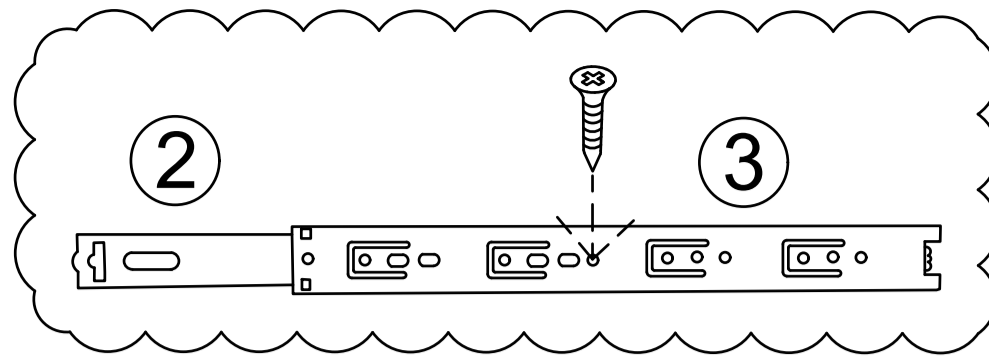


Flip to install the other side

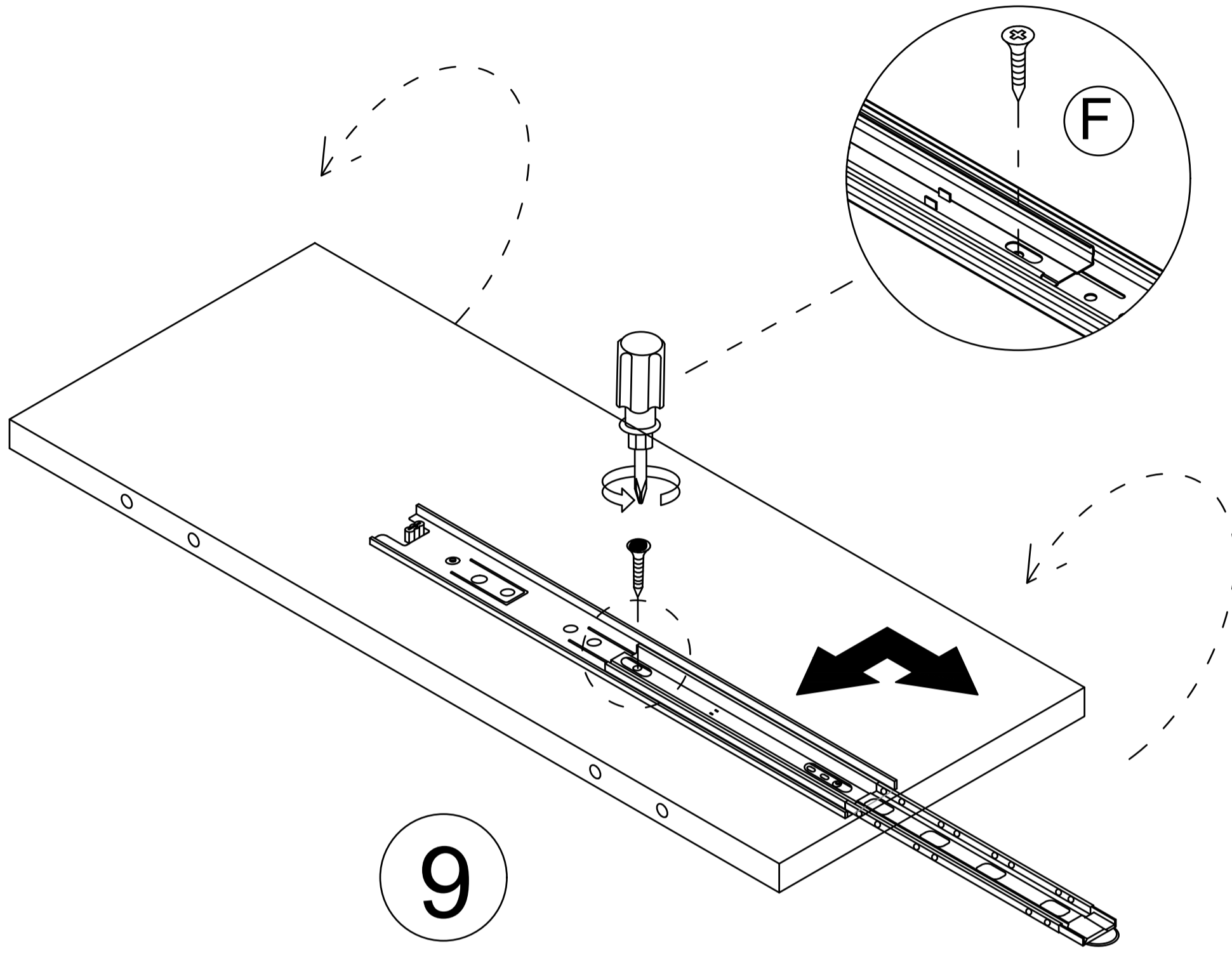


Right

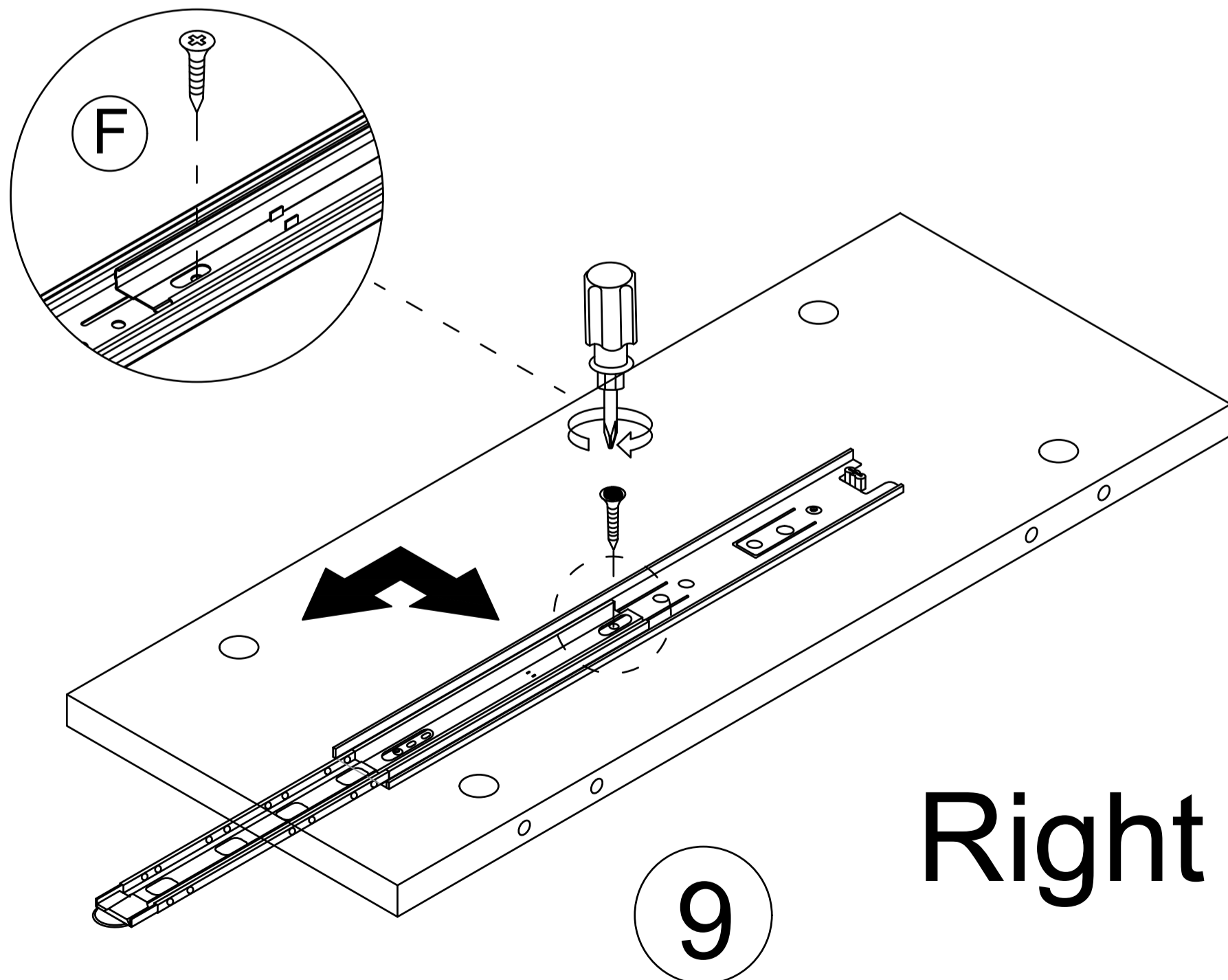
Step 75



Left



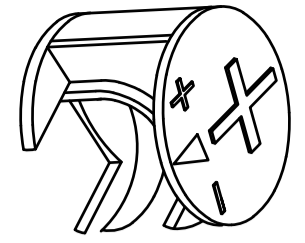
Flip to install the other side



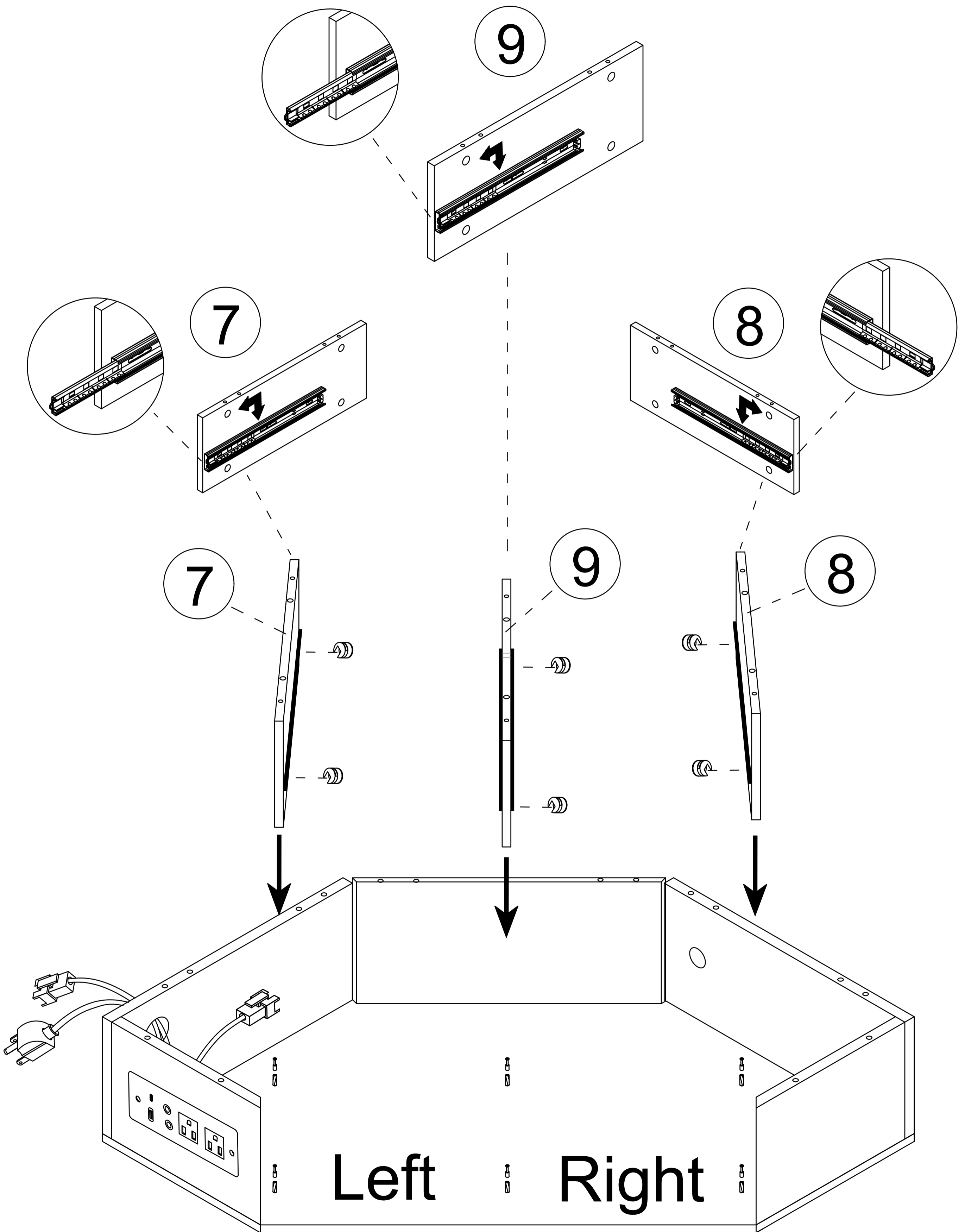
Right

Step 76

B

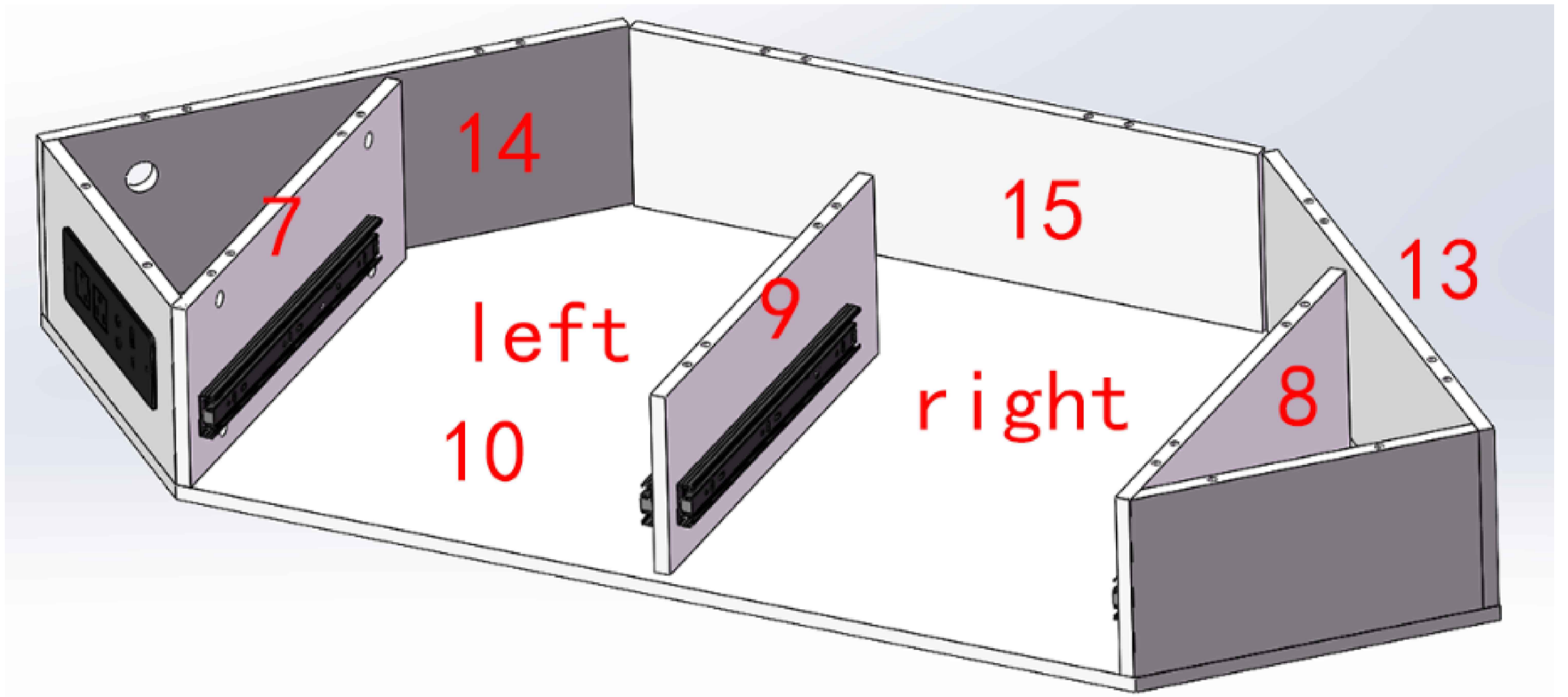


x 6



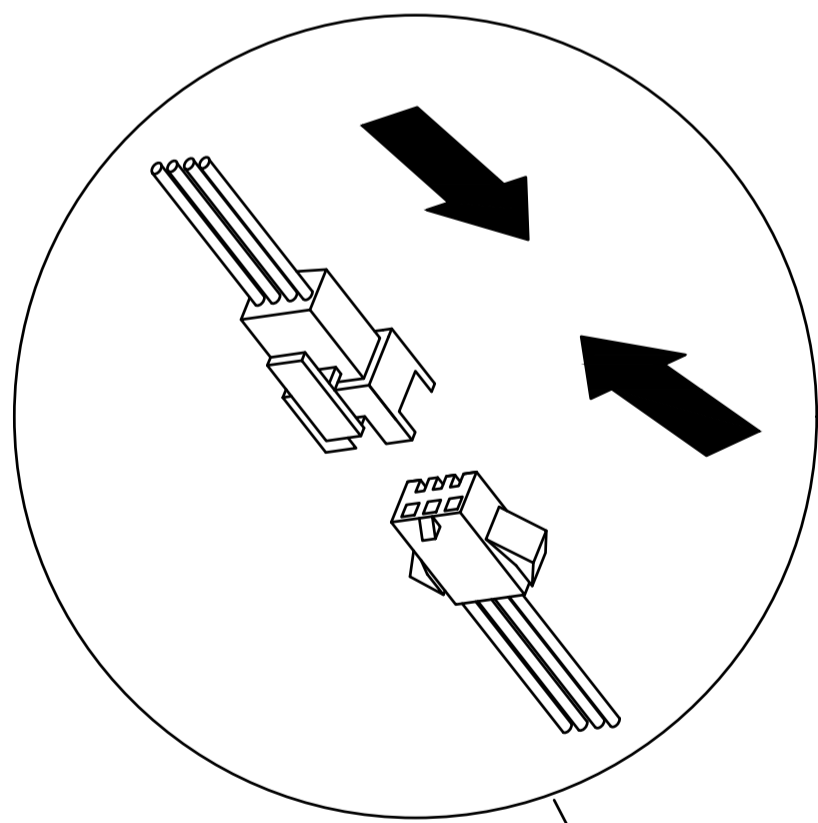
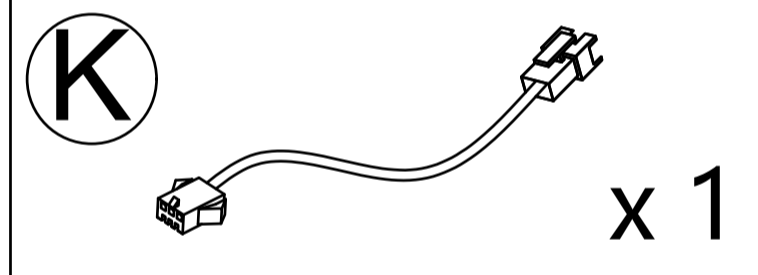
Install in the direction of the arrow

51

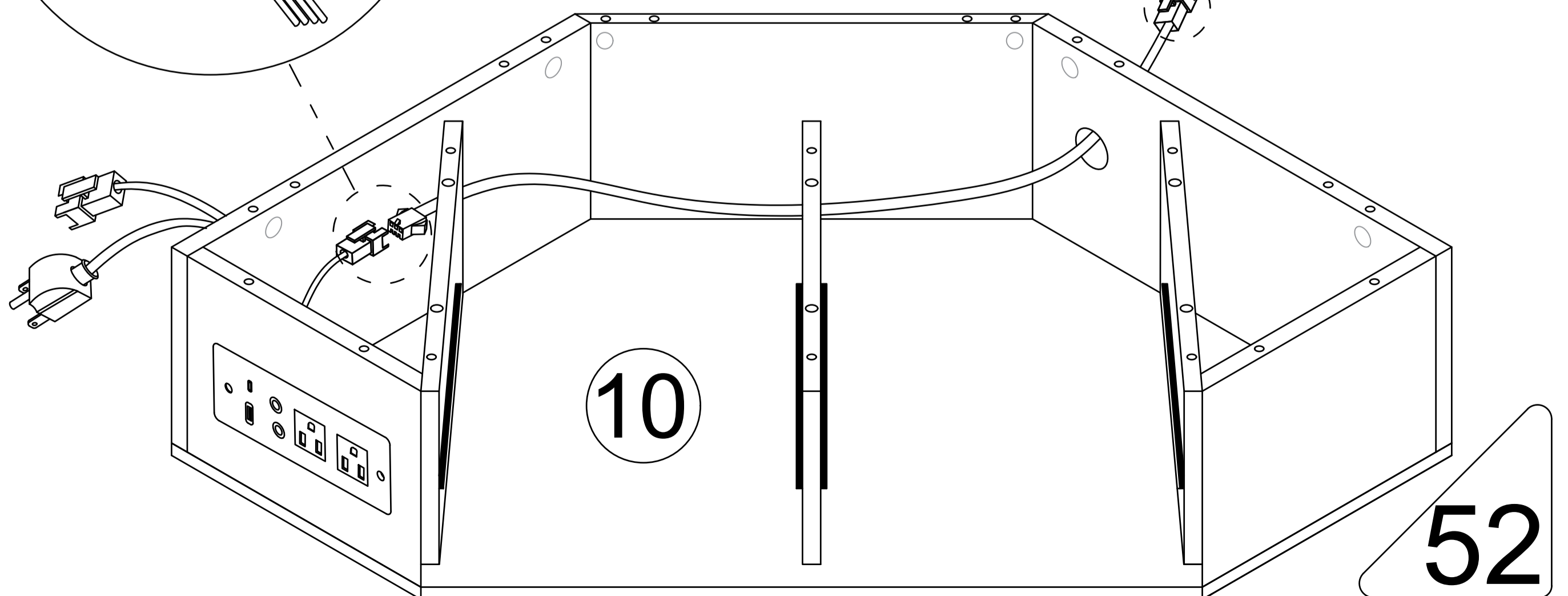
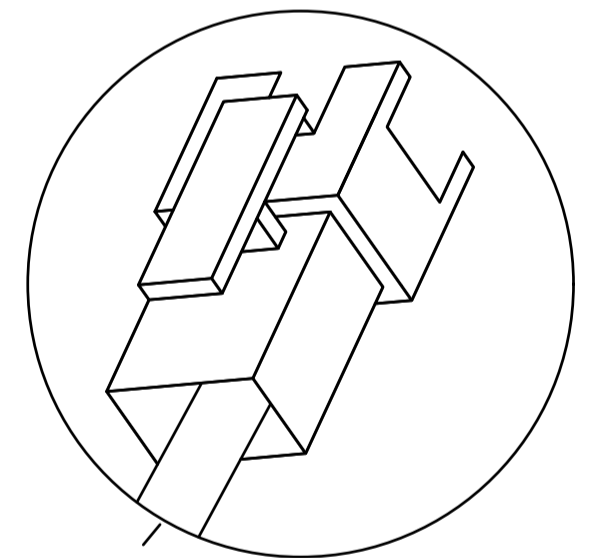


This is a picture of the completed installation

Step 77

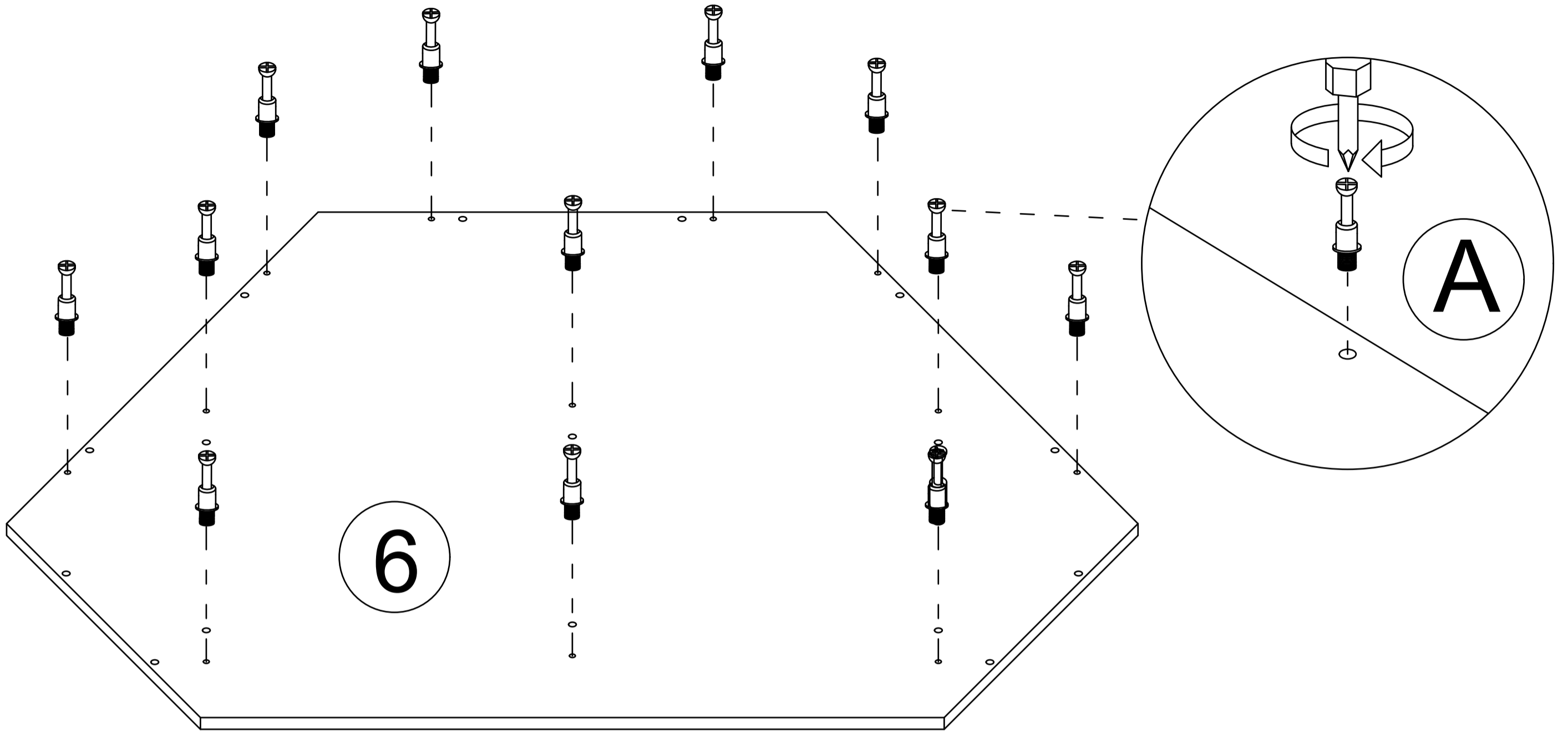
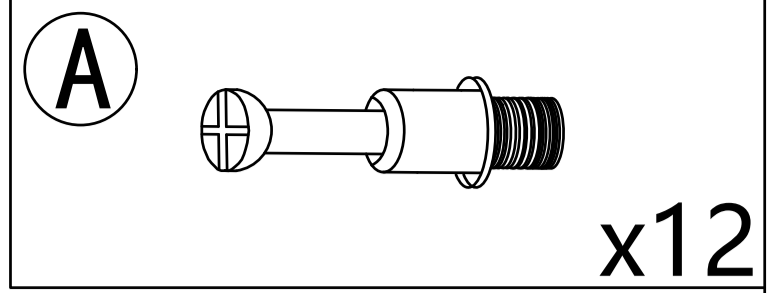


Put it in the gap between board No. 7 and board No. 14

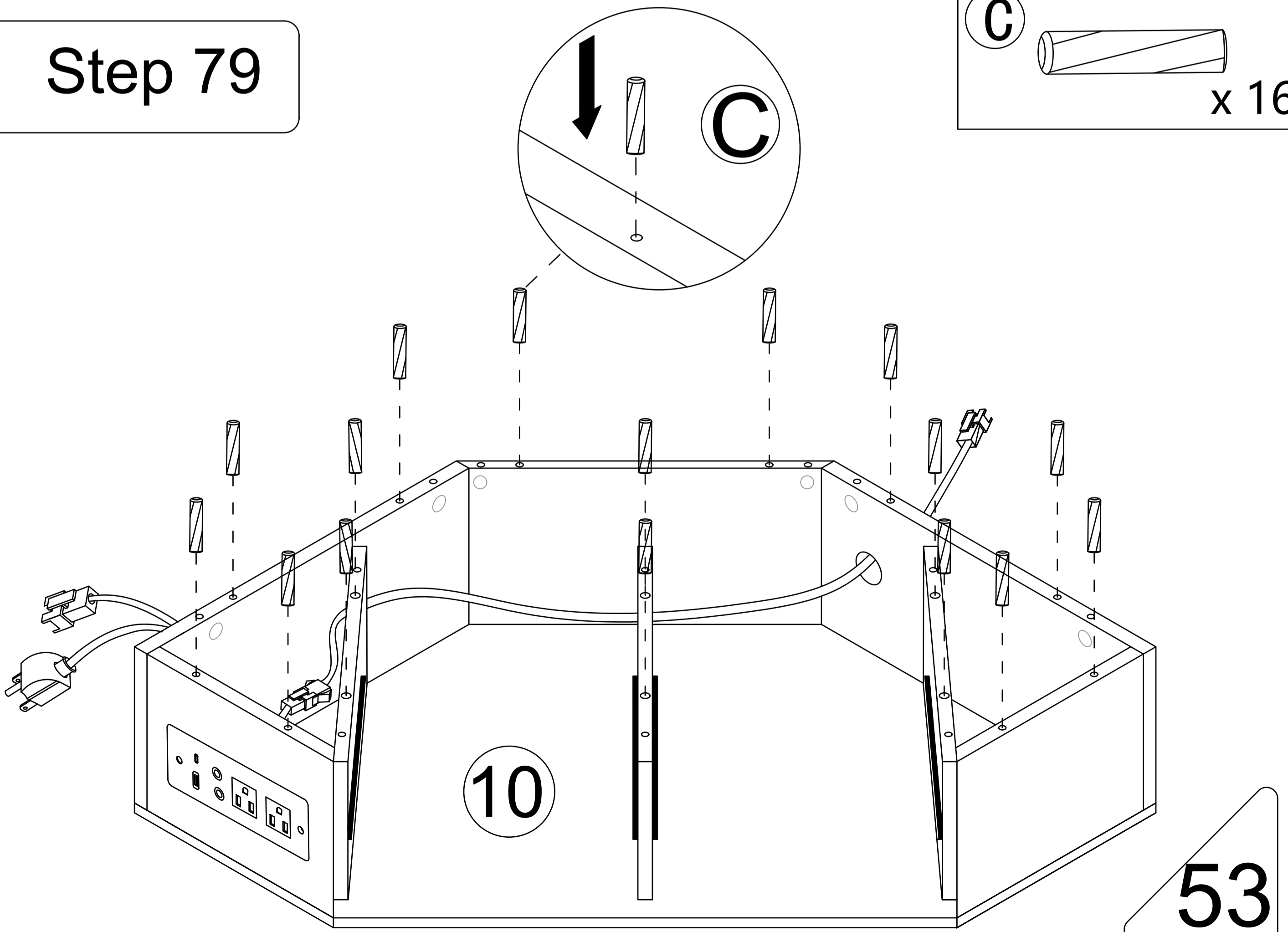
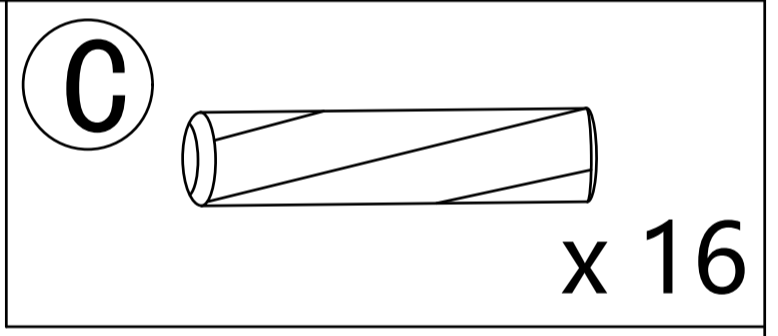


SY

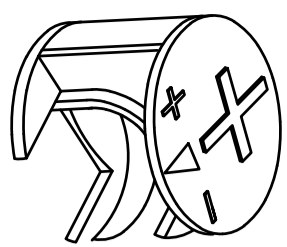
Step 78

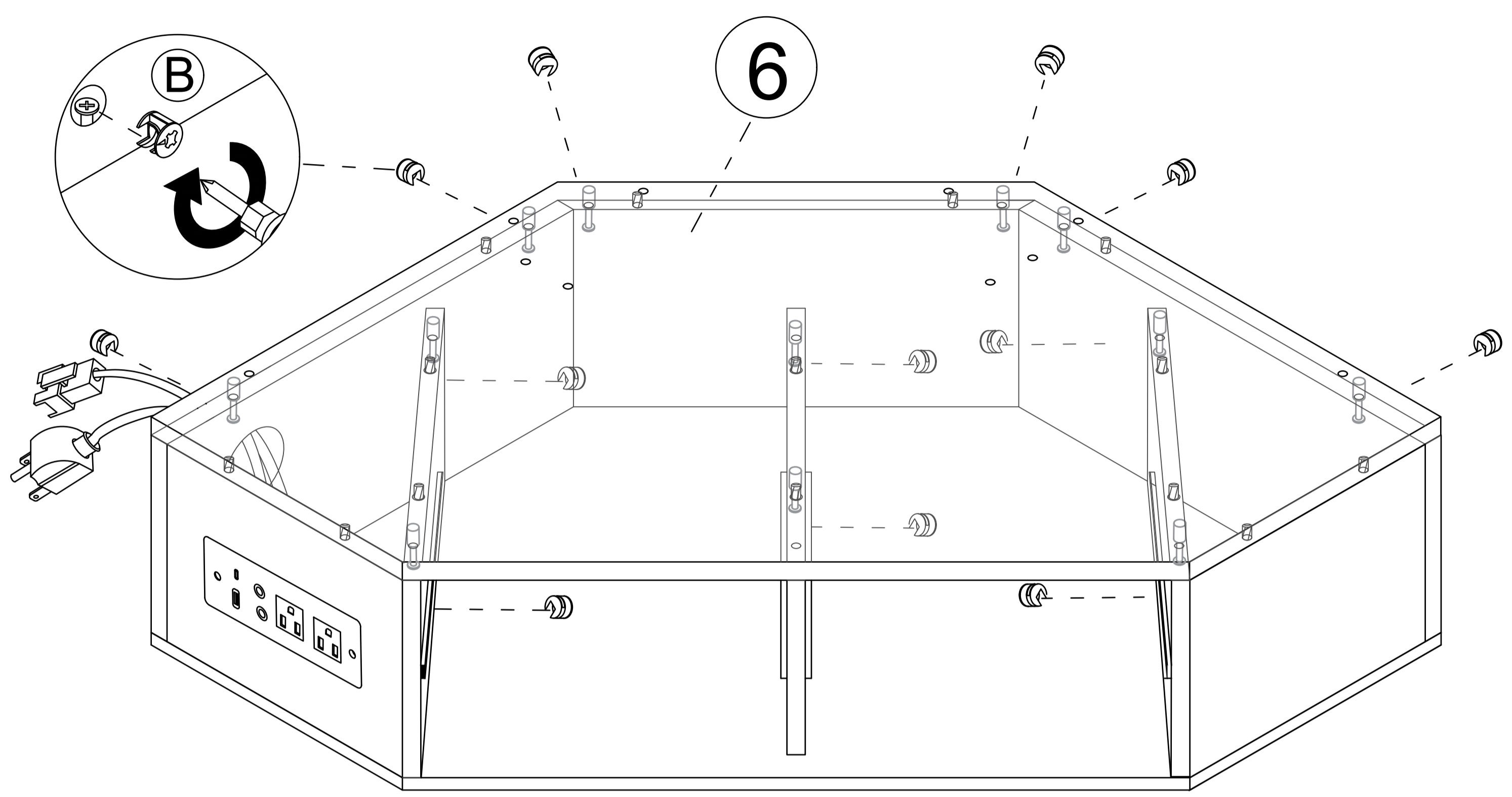


Step 79

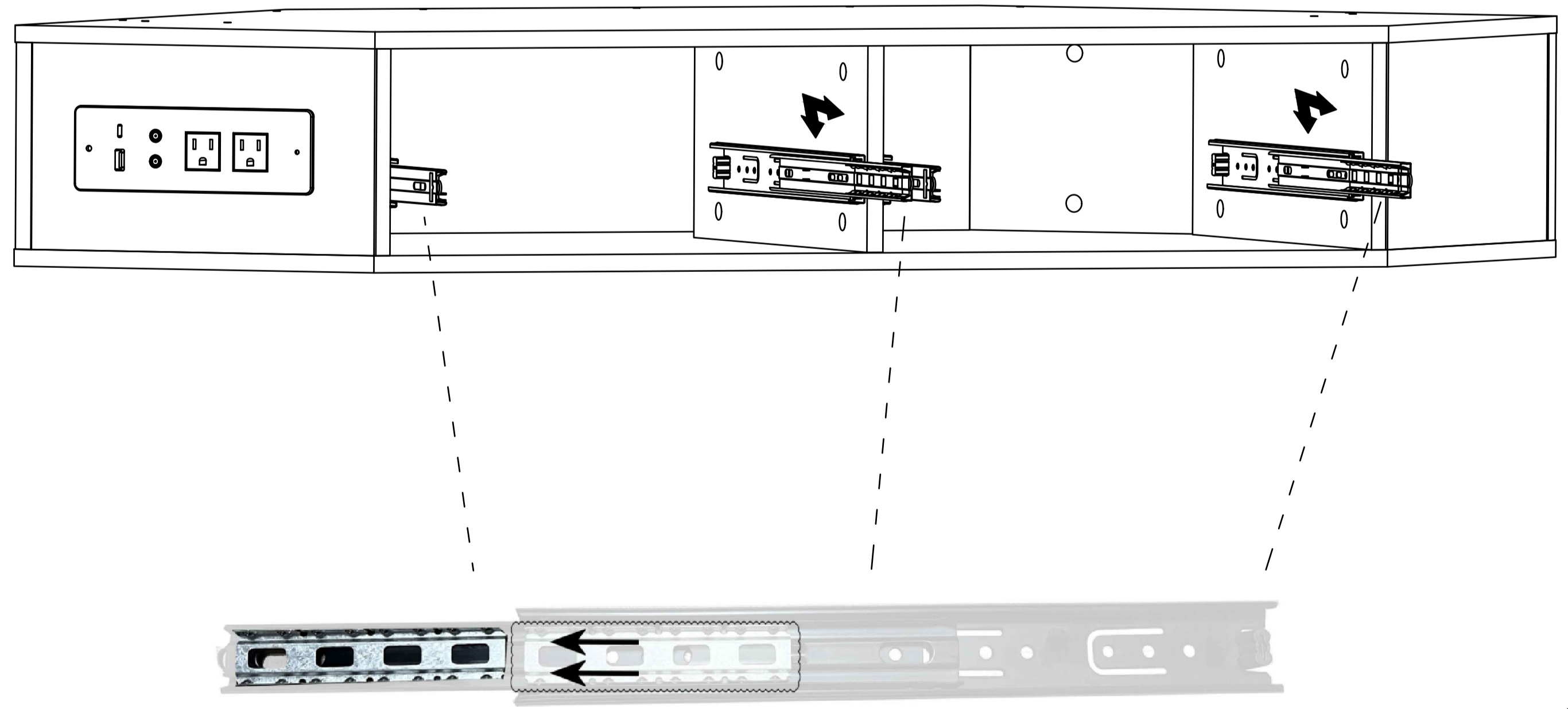


Step 80

B  x12

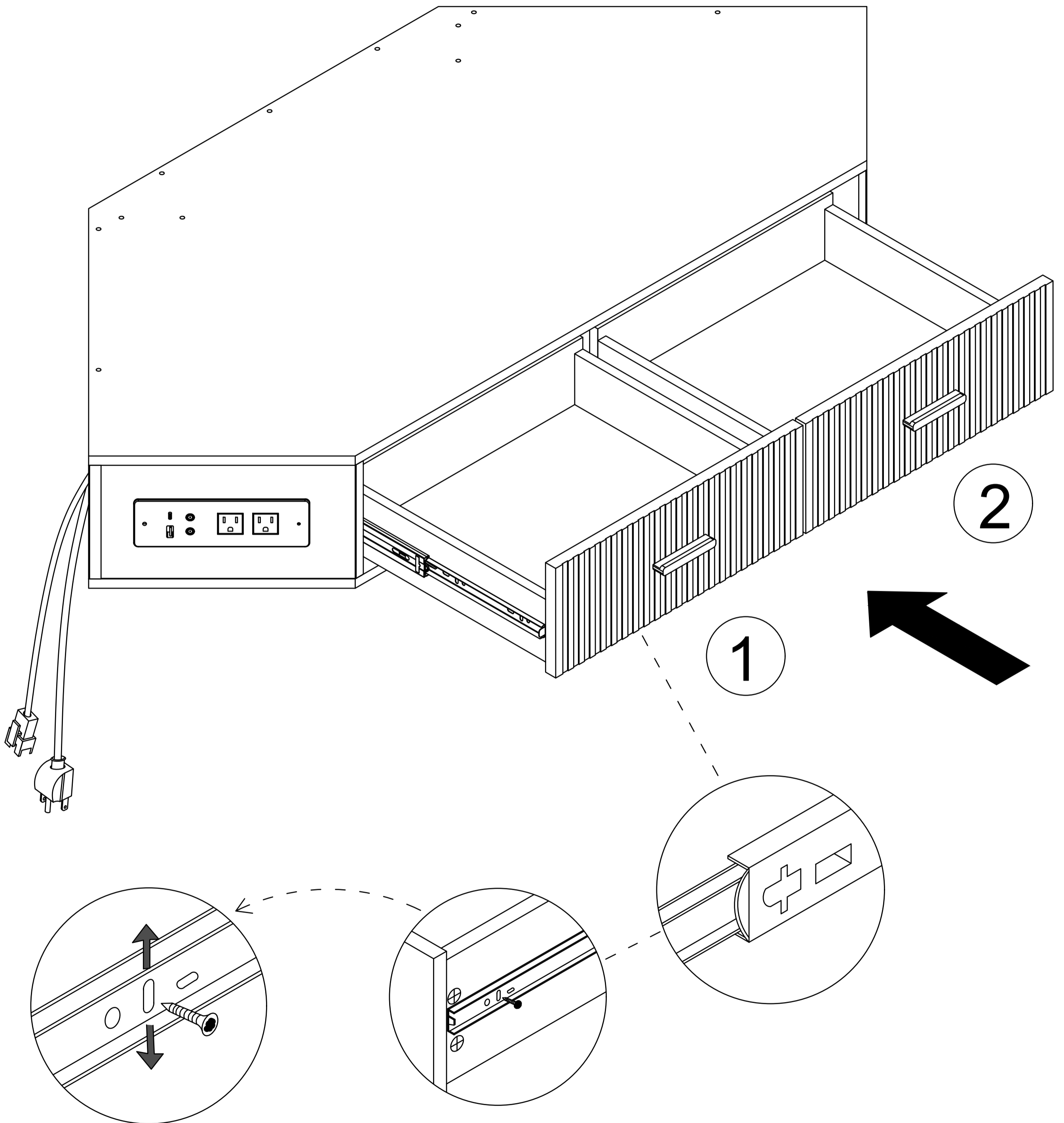


Step 81



As shown, When installing the drawer, pull the guide rail out first, Slide beads are also pulled out.

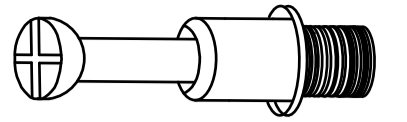
Step 82



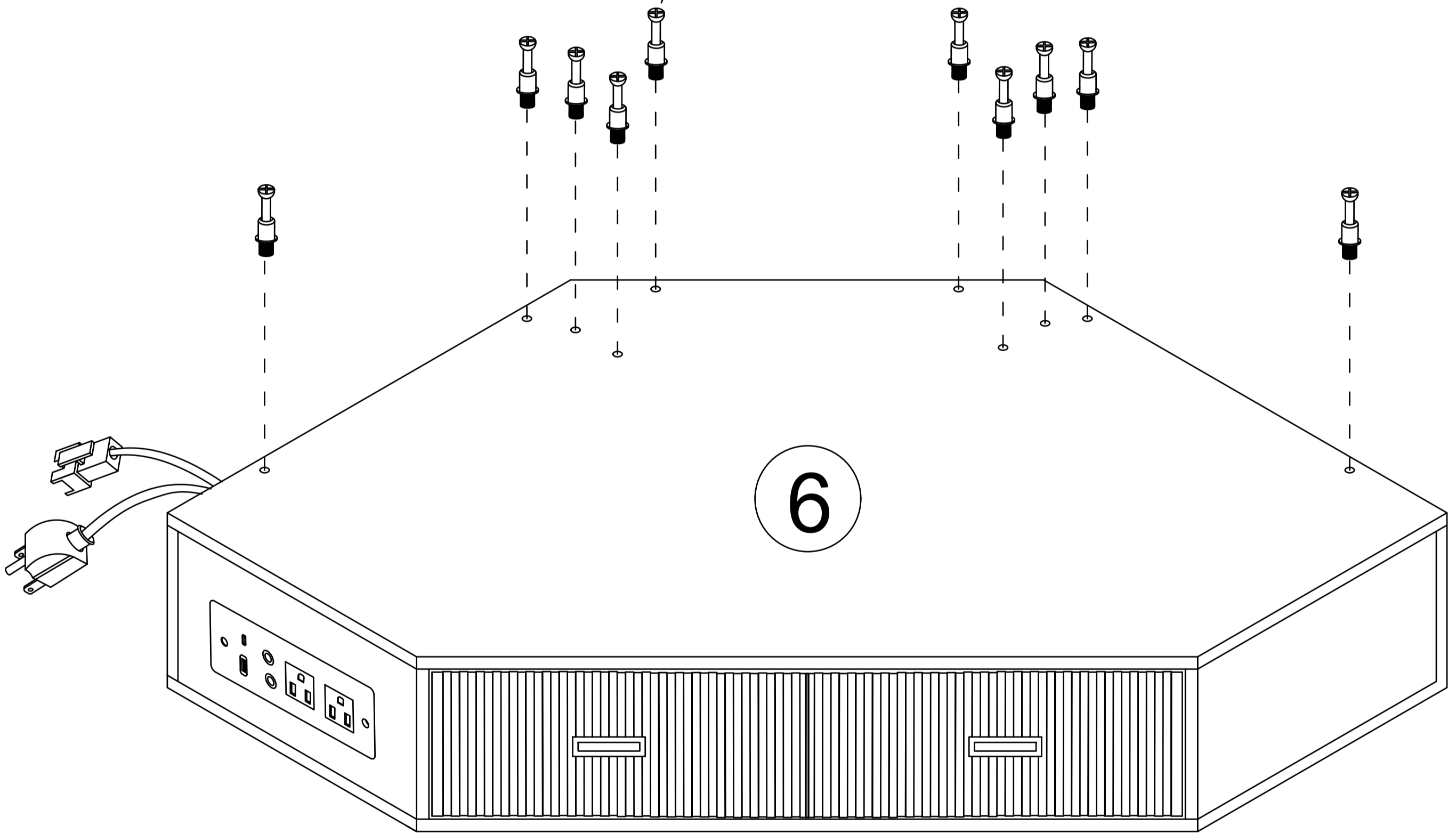
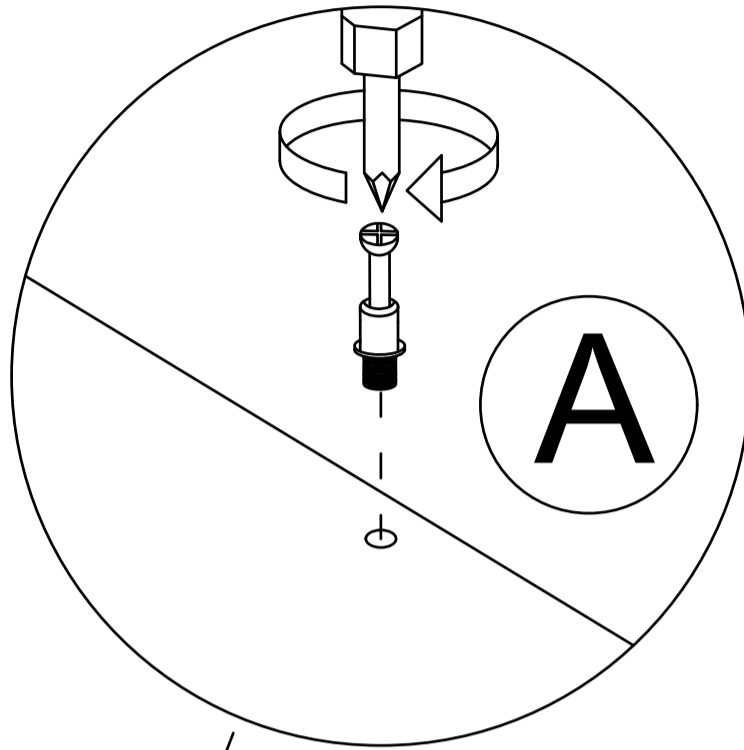
If a large gap is found after installing the drawer the slide rail can be moved up and down to adjust the gap

Step 83

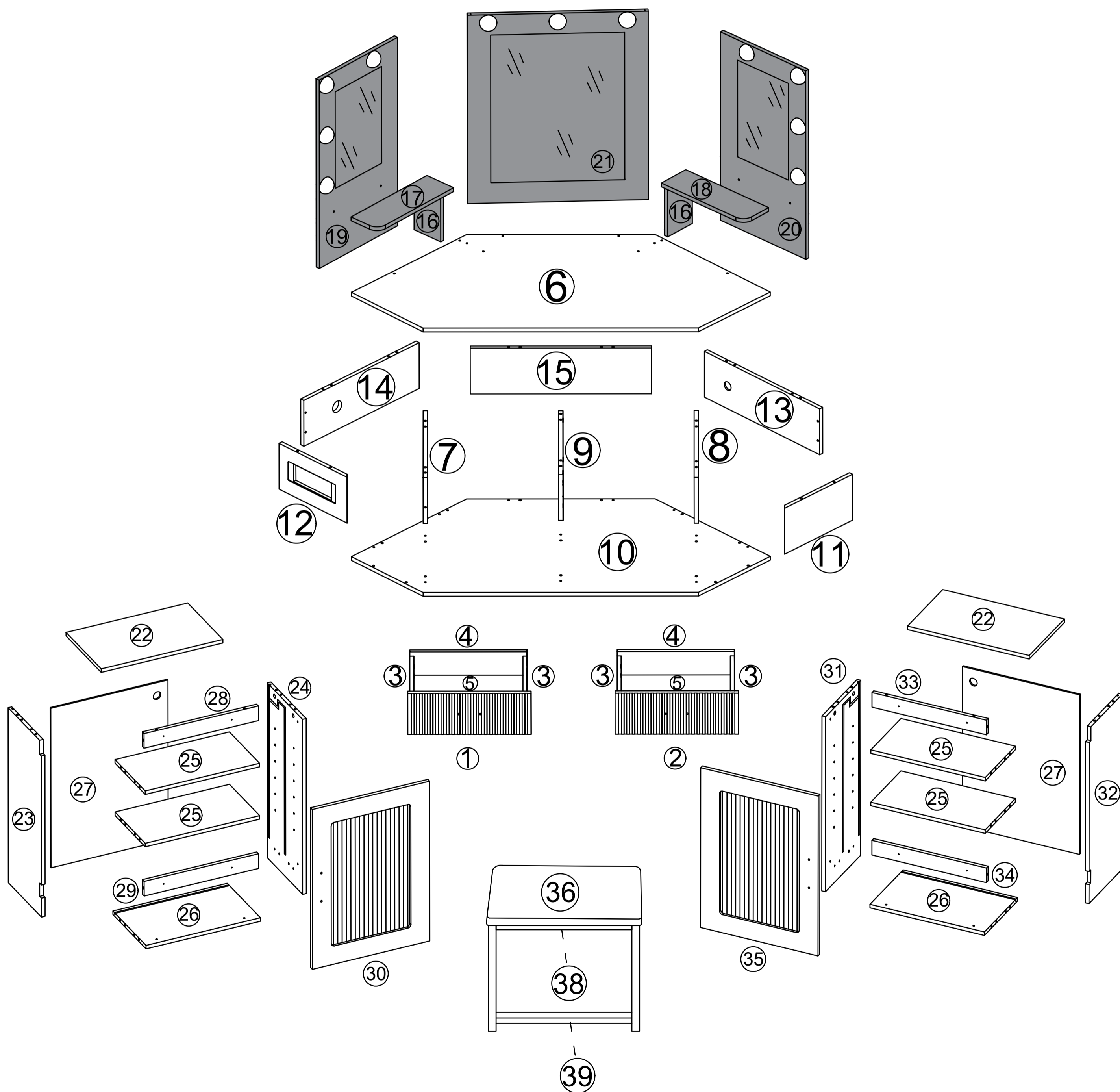
A



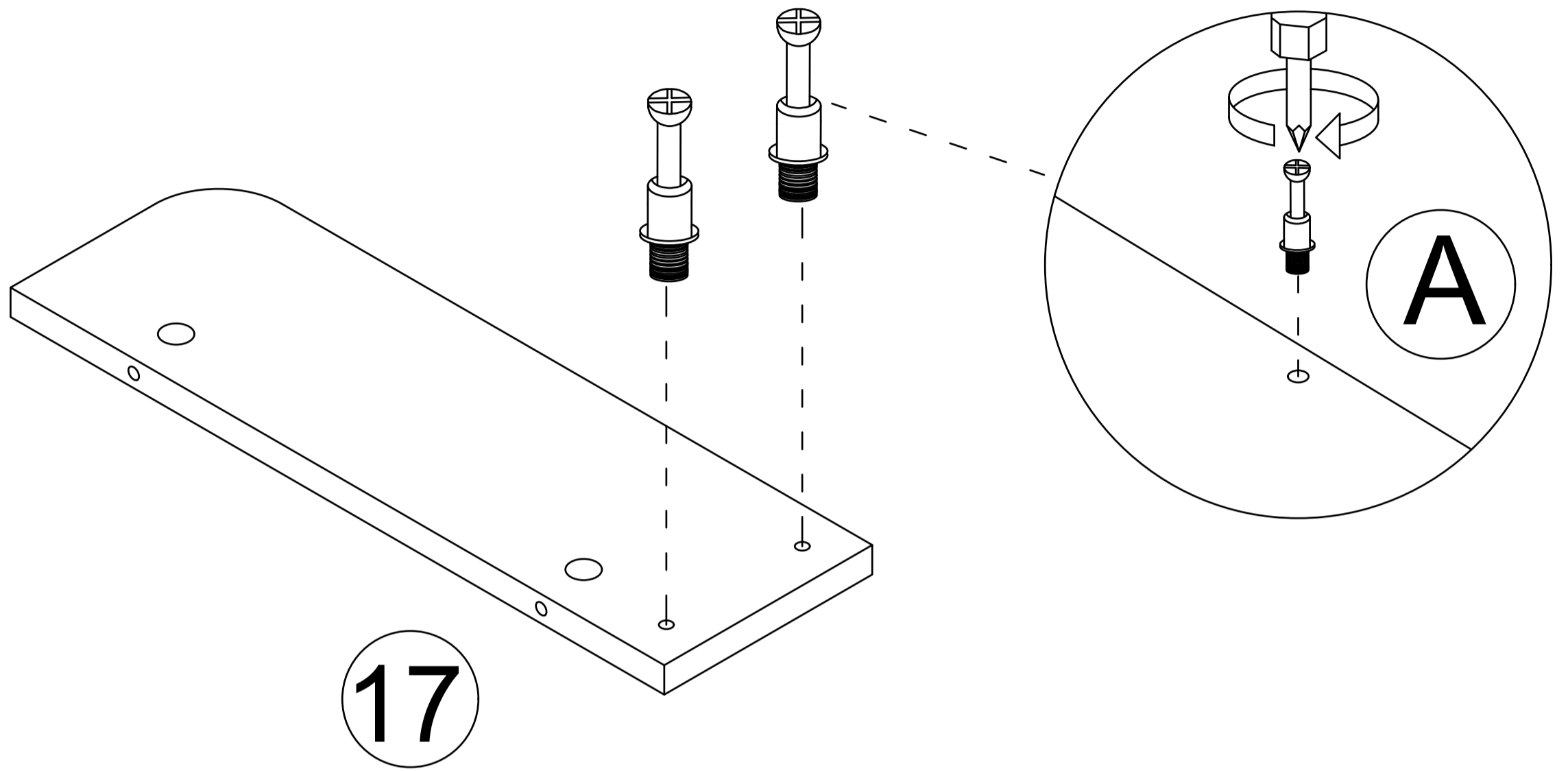
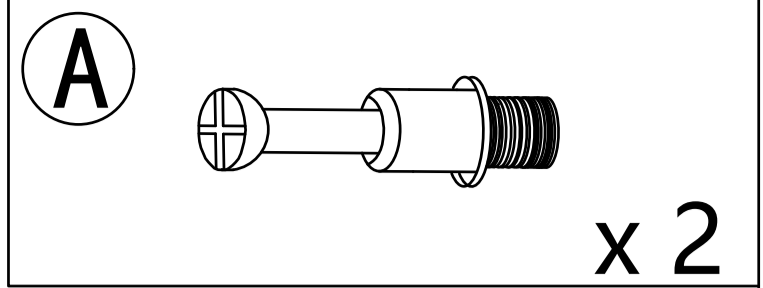
x10



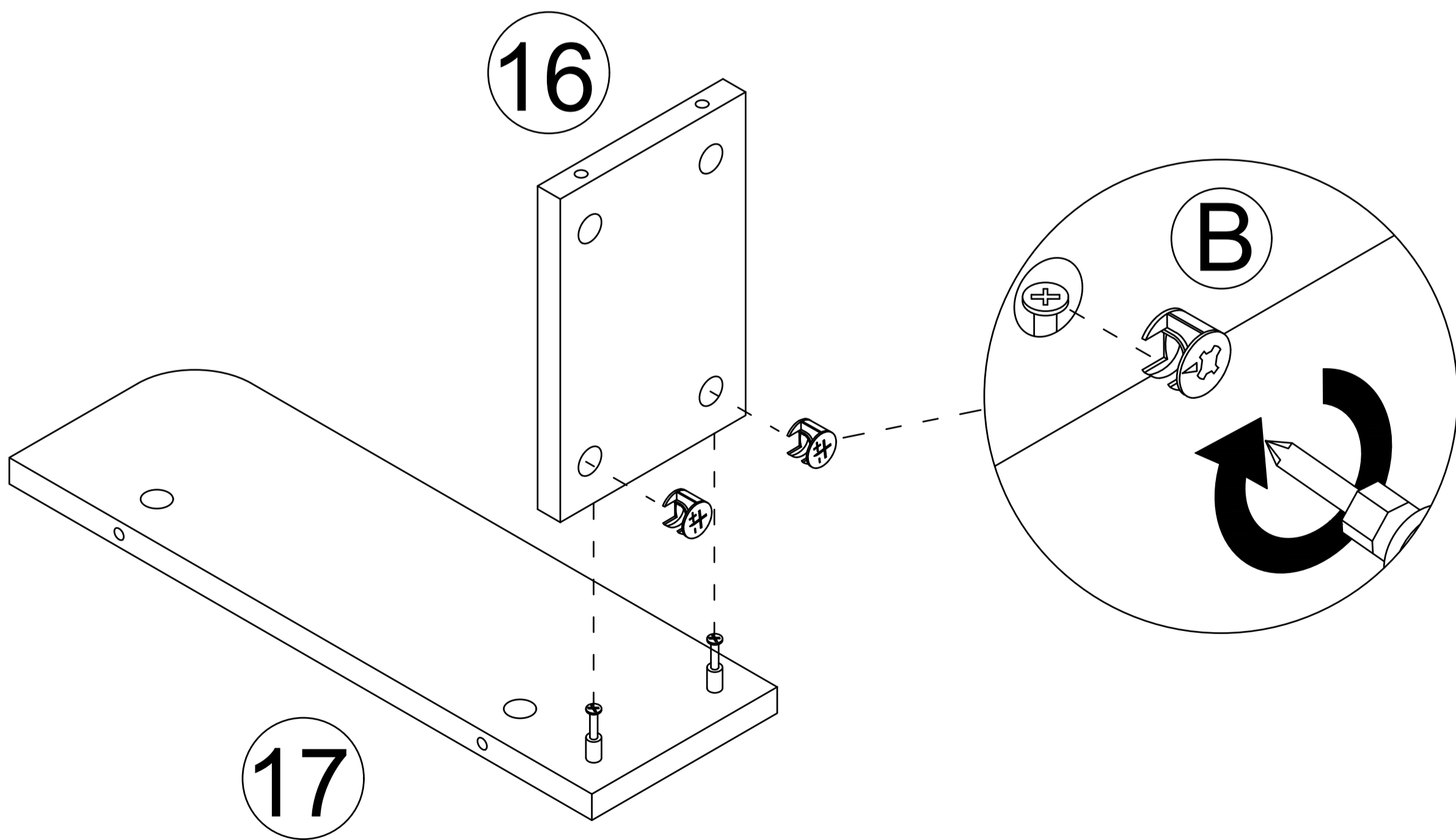
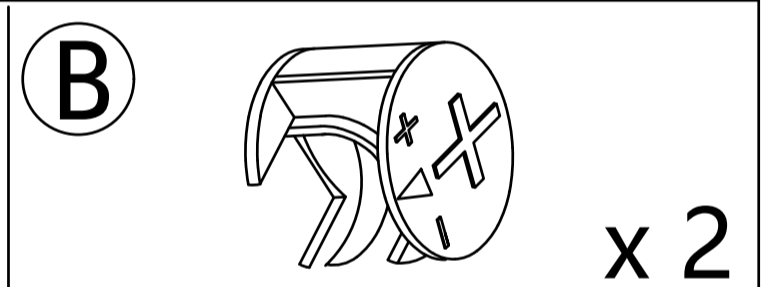
Product structure decomposition



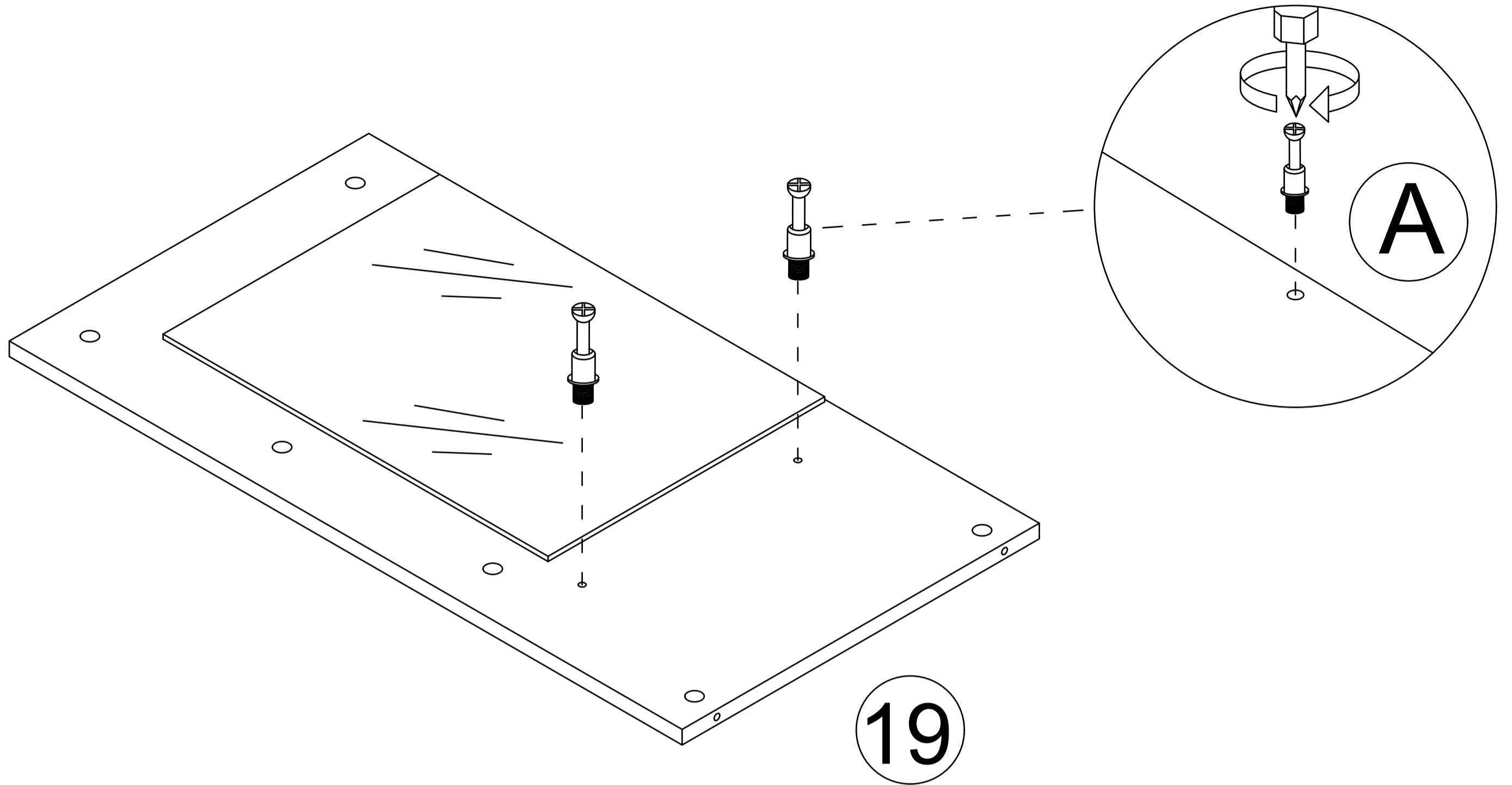
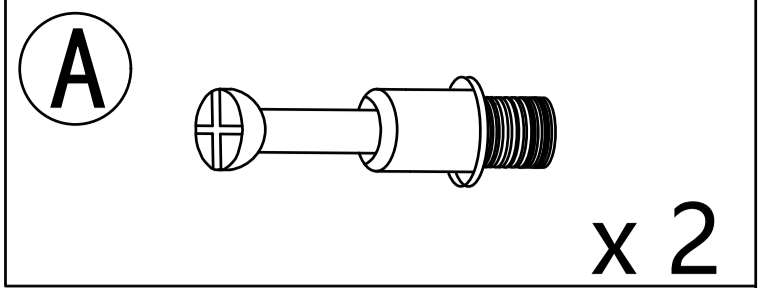
Step 84



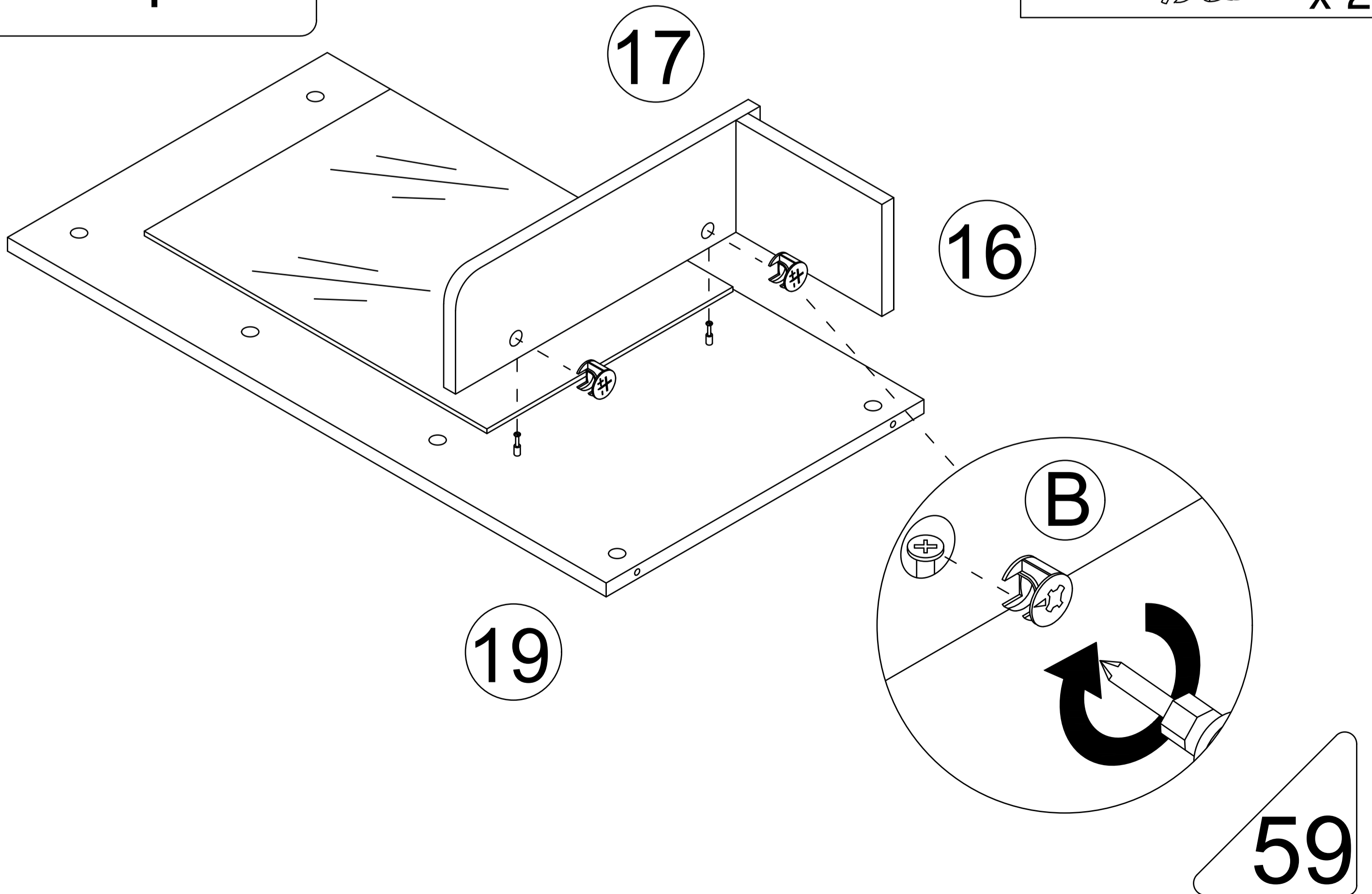
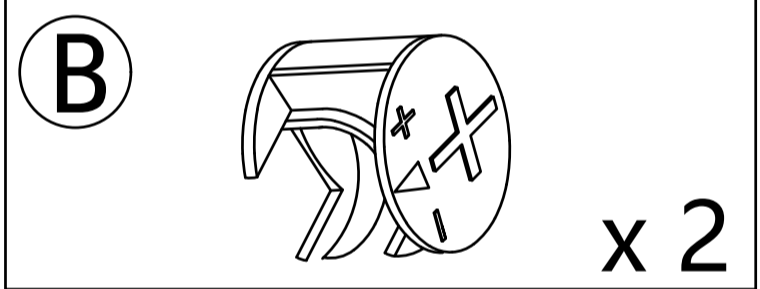
Step 85



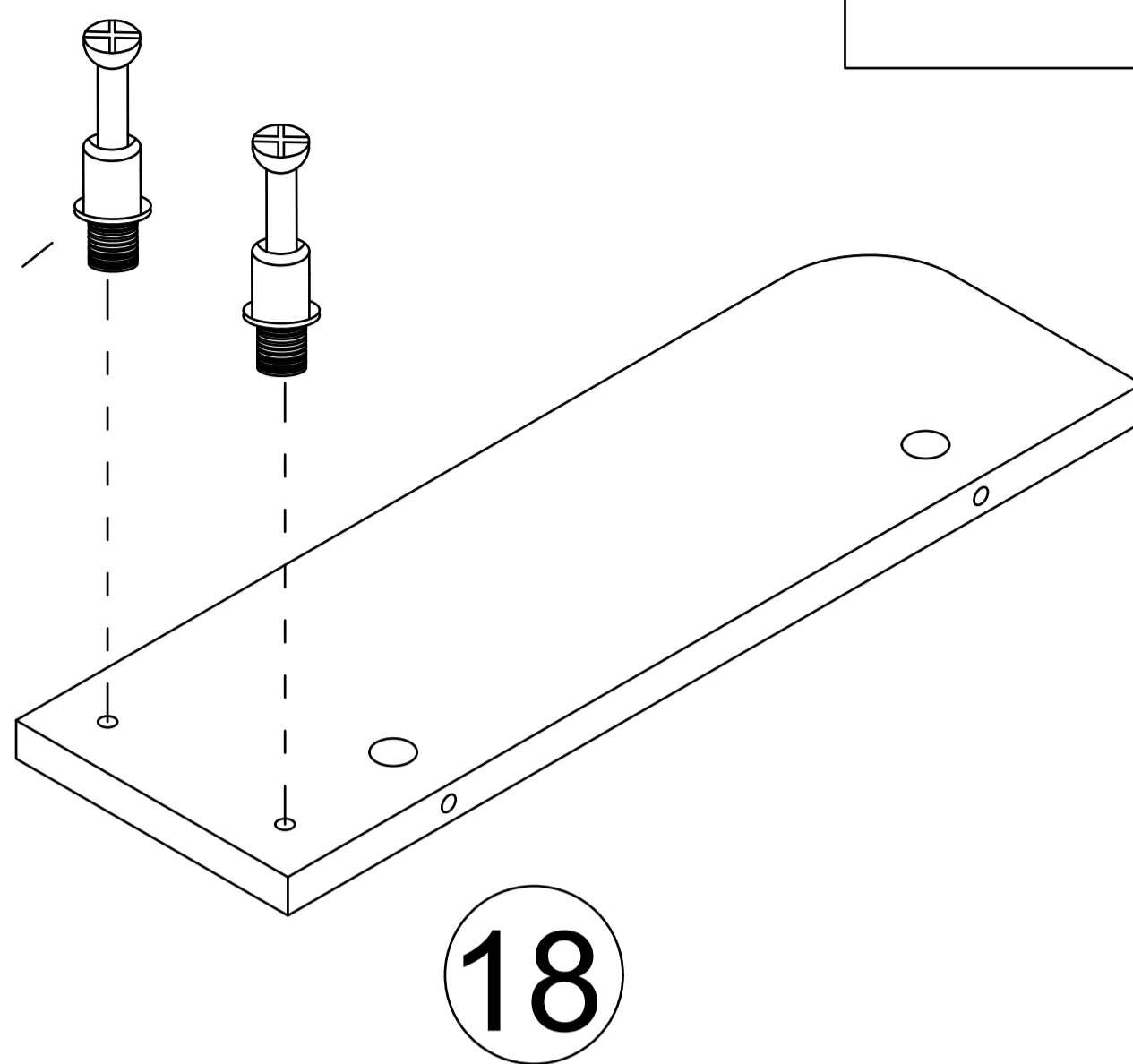
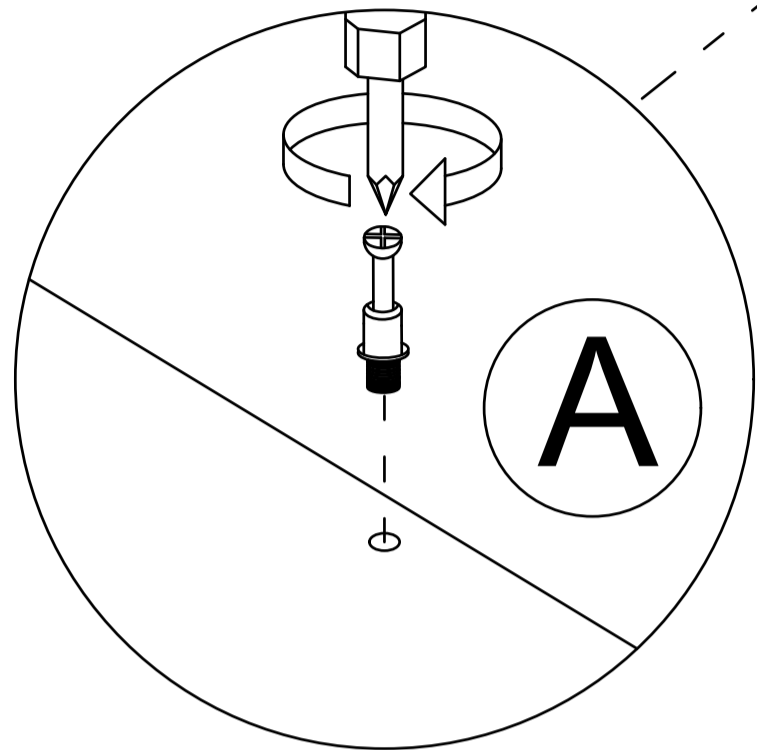
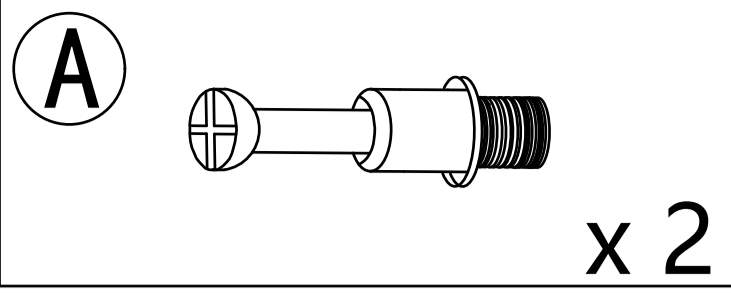
Step 86



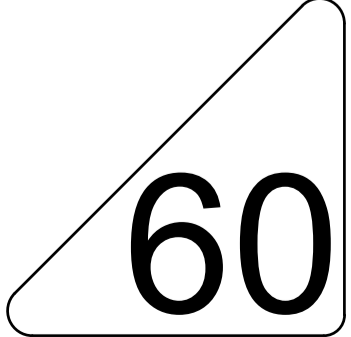
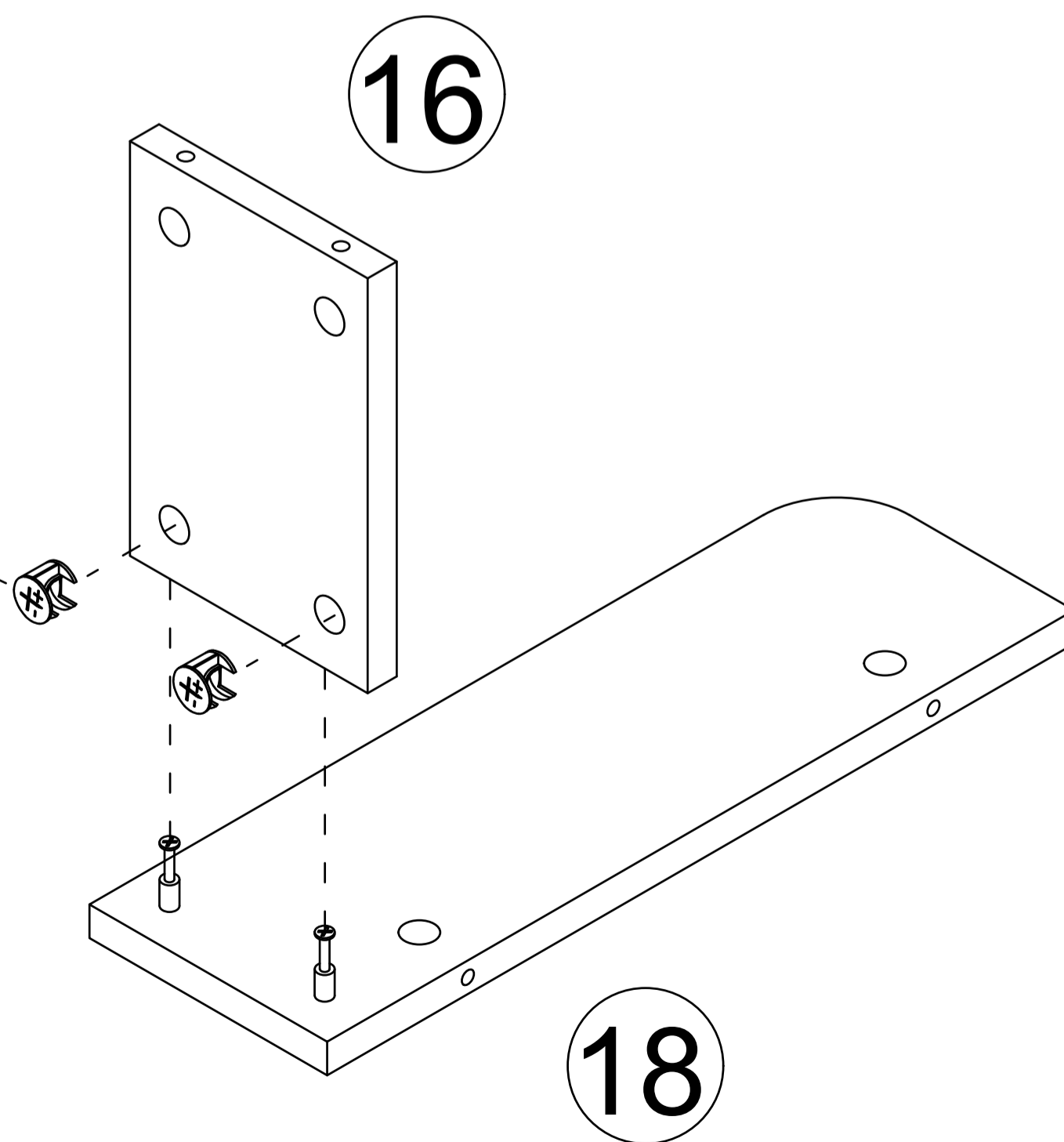
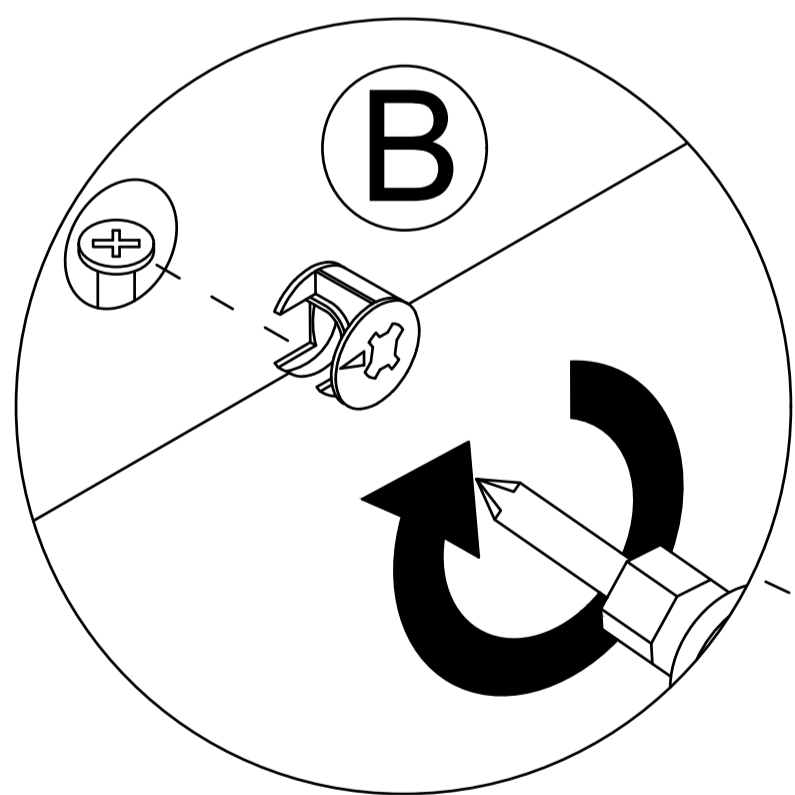
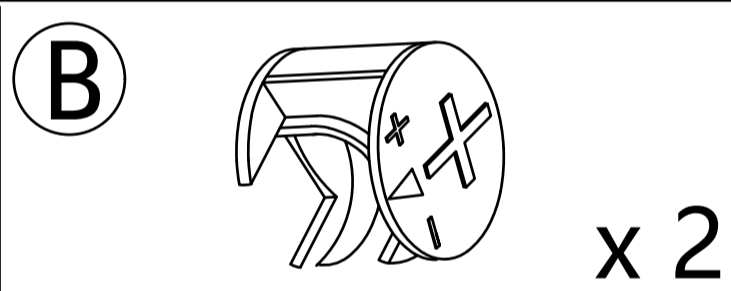
Step 87



Step 88

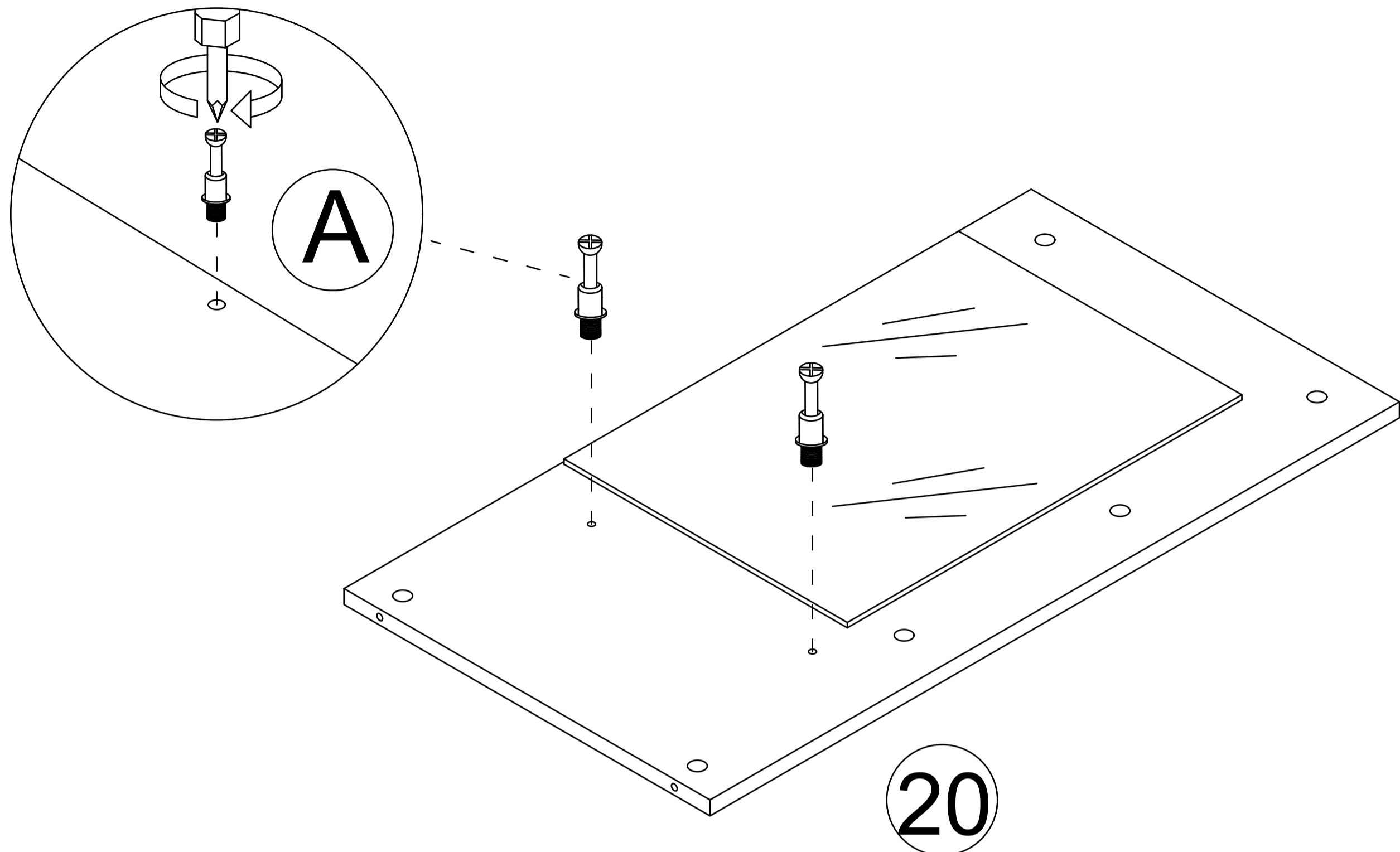
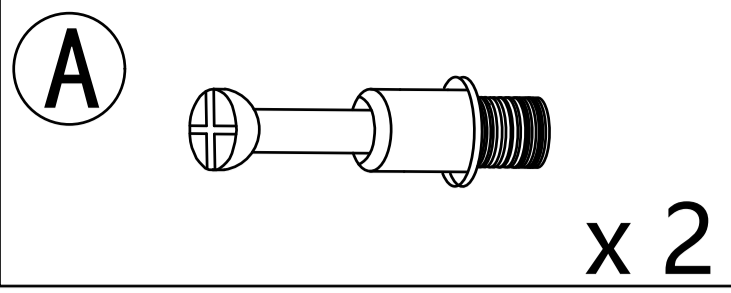


Step 89

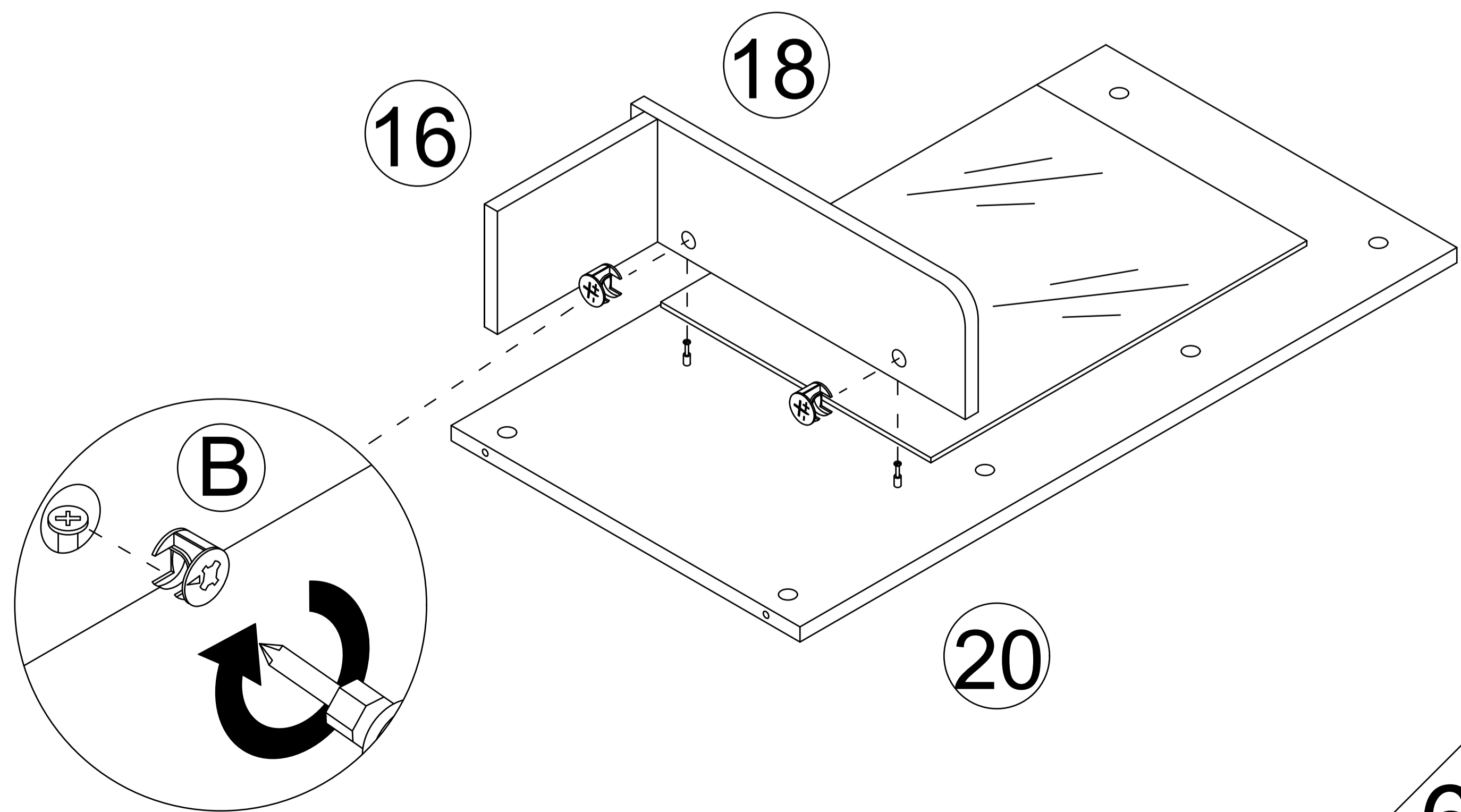
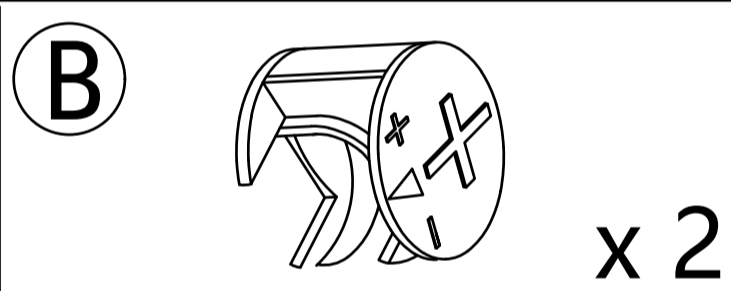


SY

Step 90



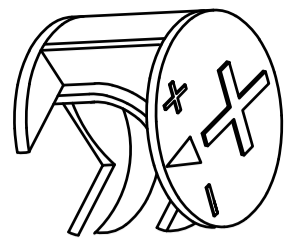
Step 91



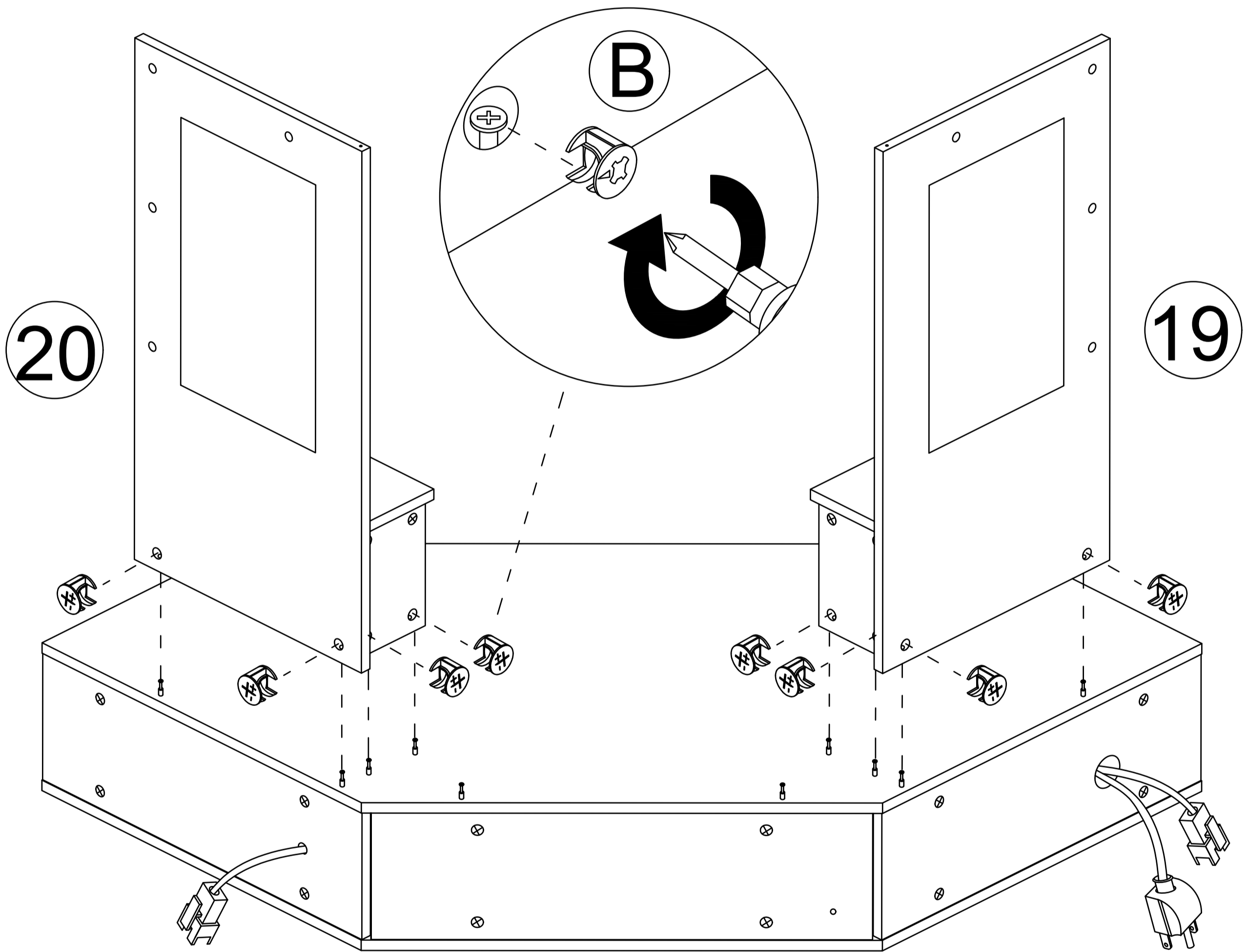
61

Step 92

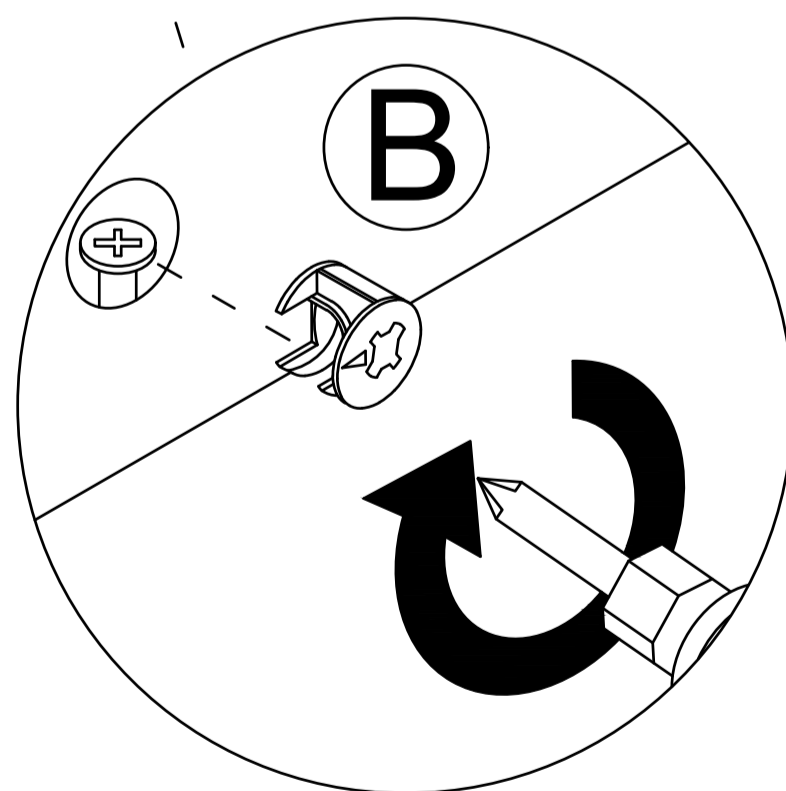
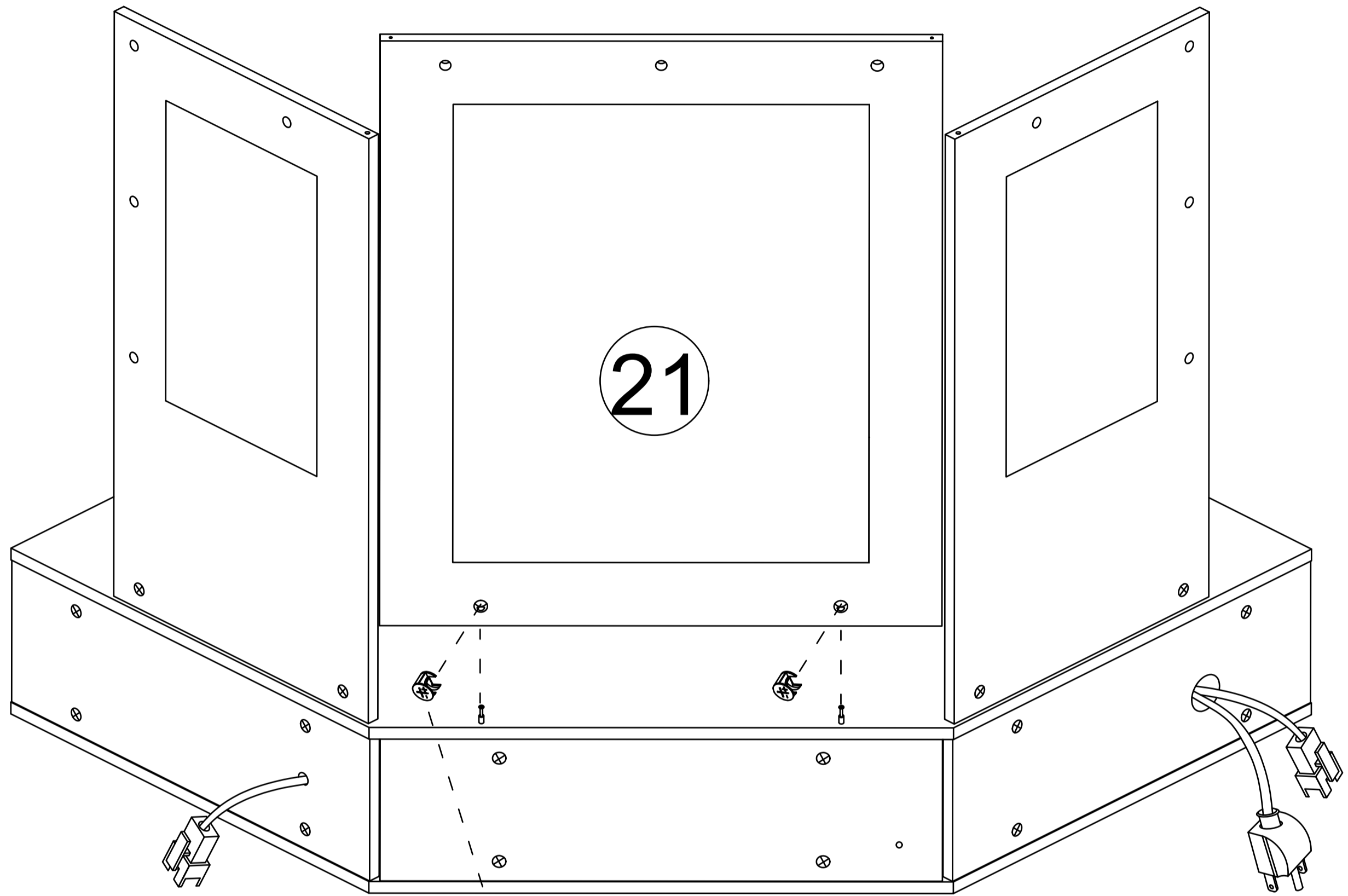
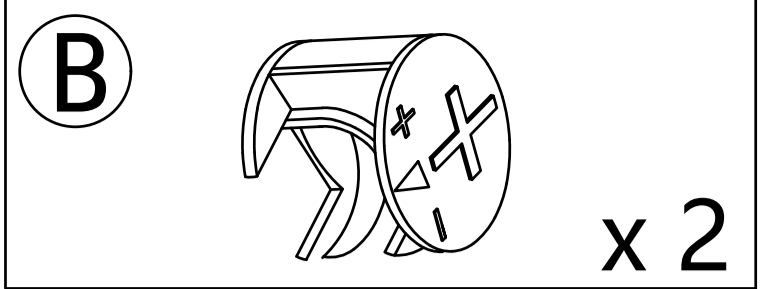
B



x 8



Step 93



Step 94

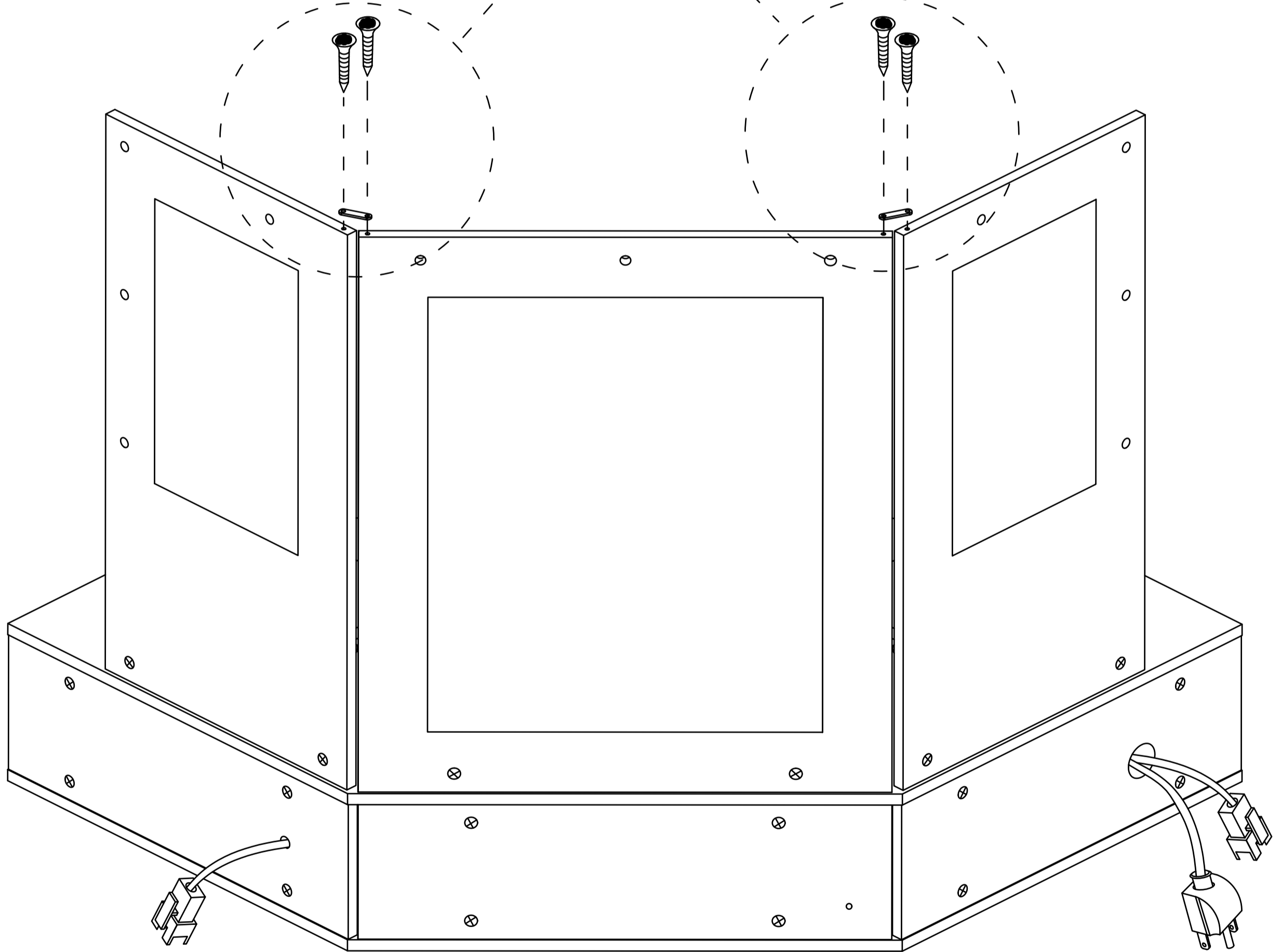
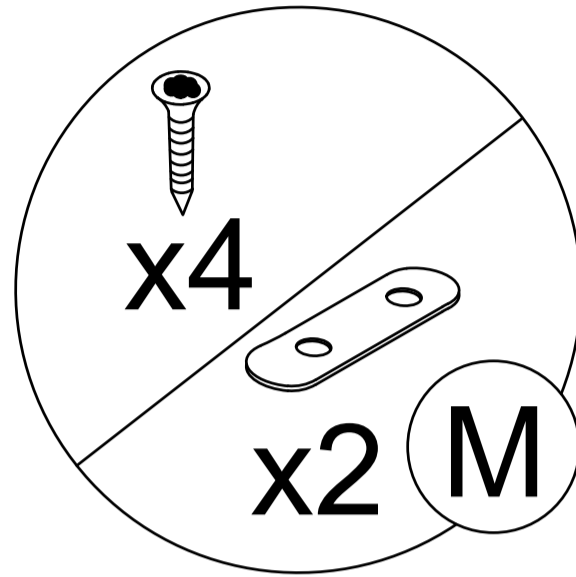
M



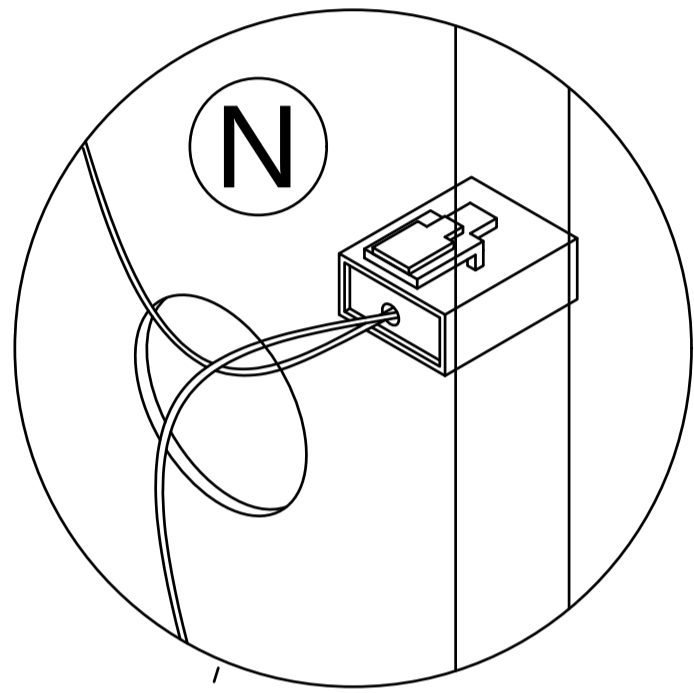
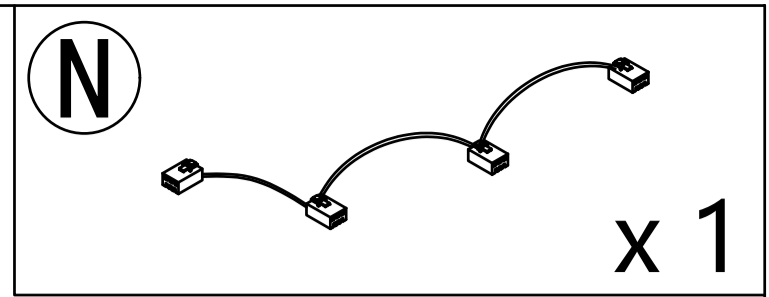
x2



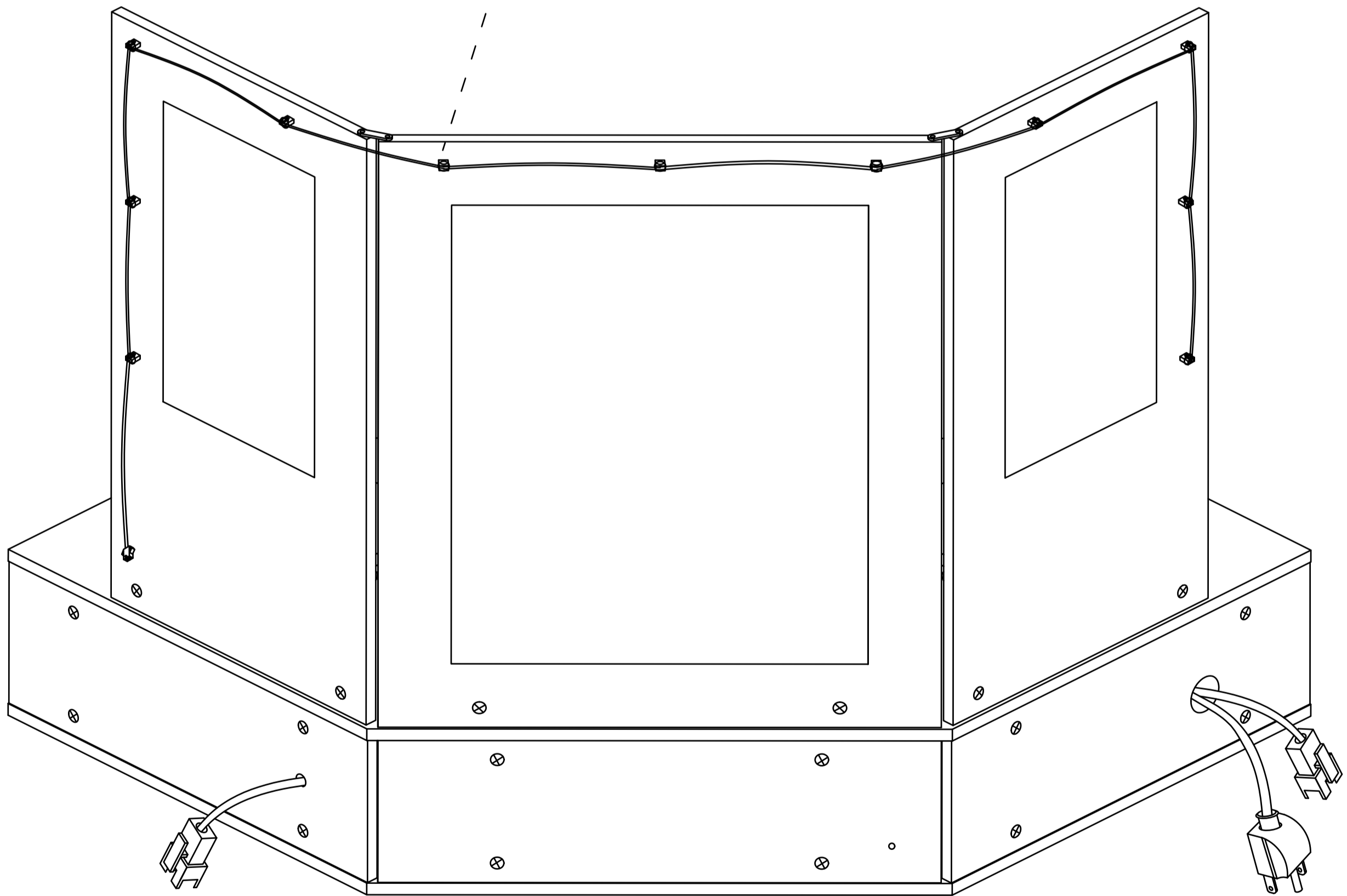
x4

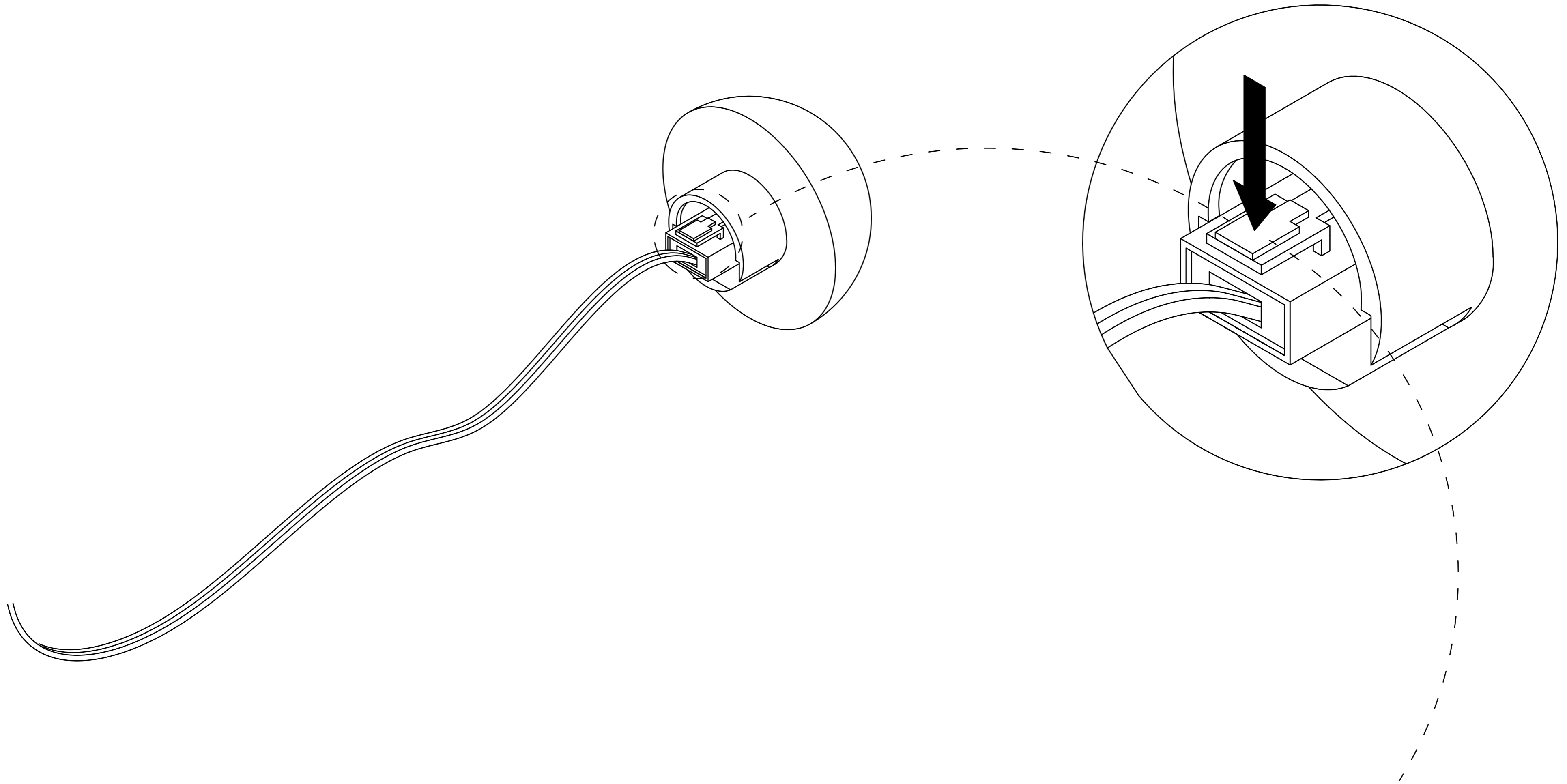


Step 95

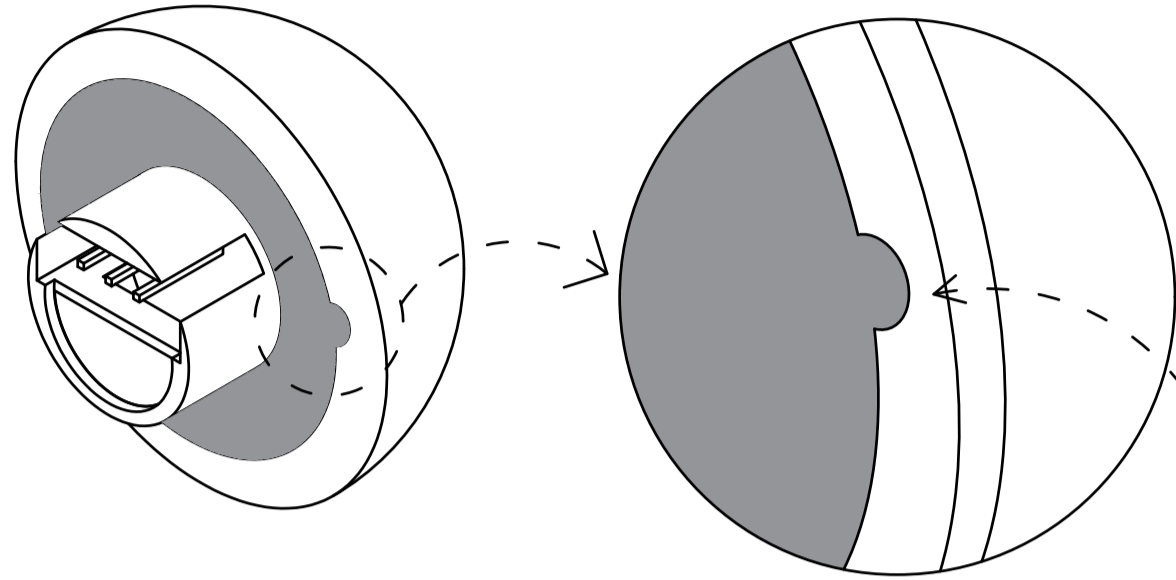


Thread the plug through the hole

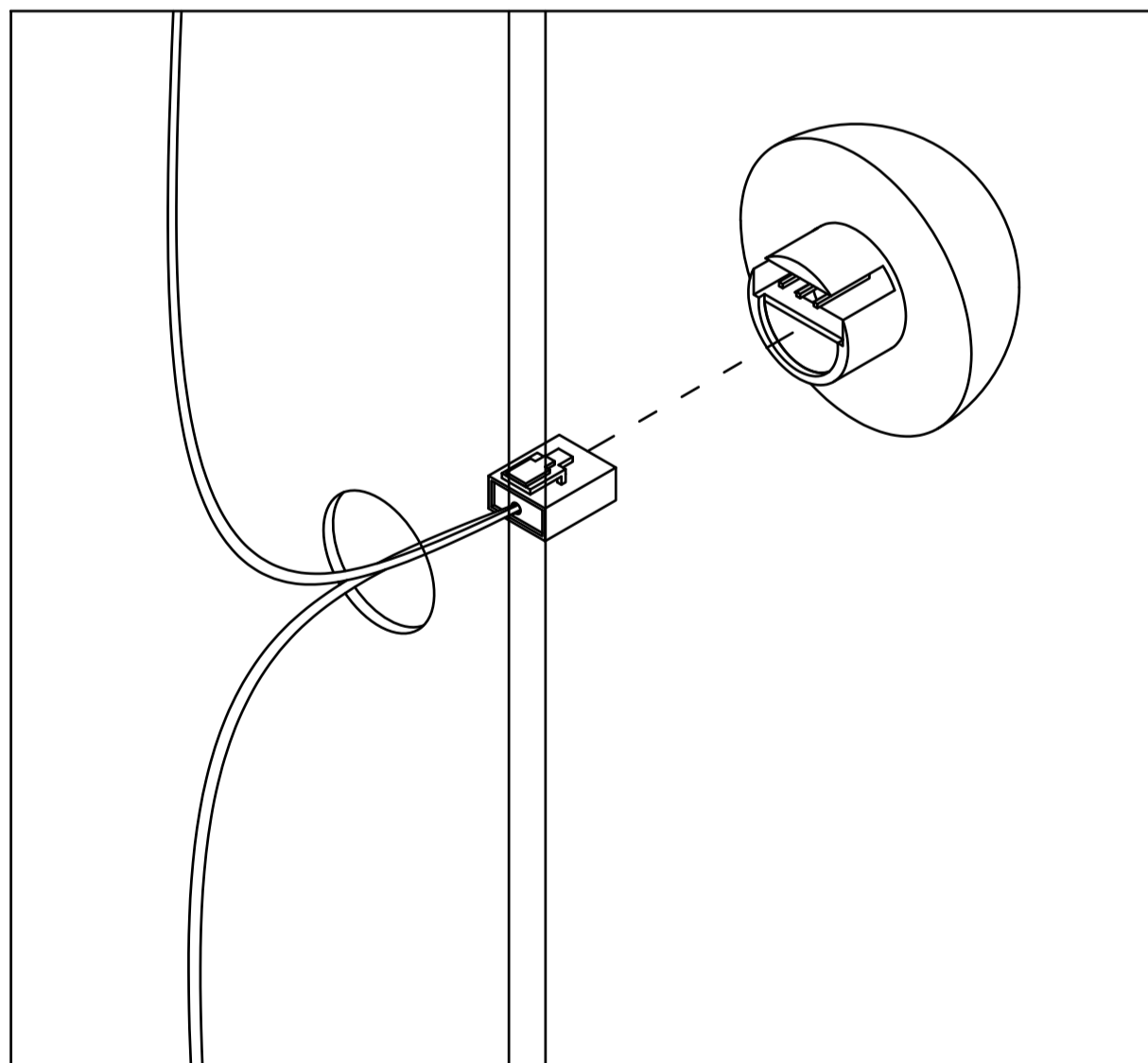




Press the plug-in to pull out the cable

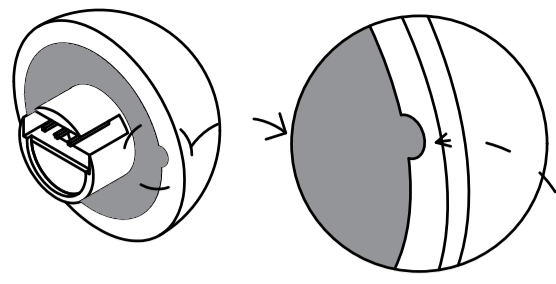


Remove the film before installation



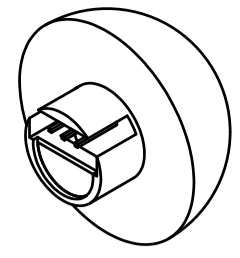
Connect the bulb to the plug

Step 96

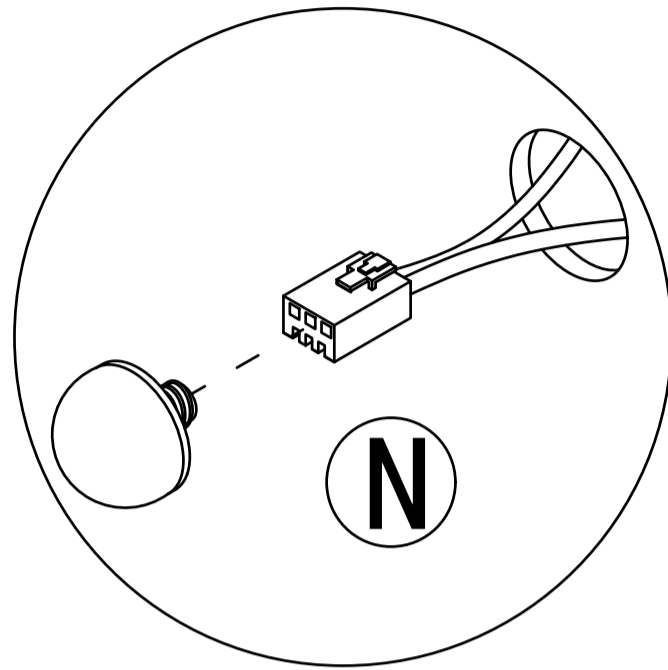


Remove the film before installation

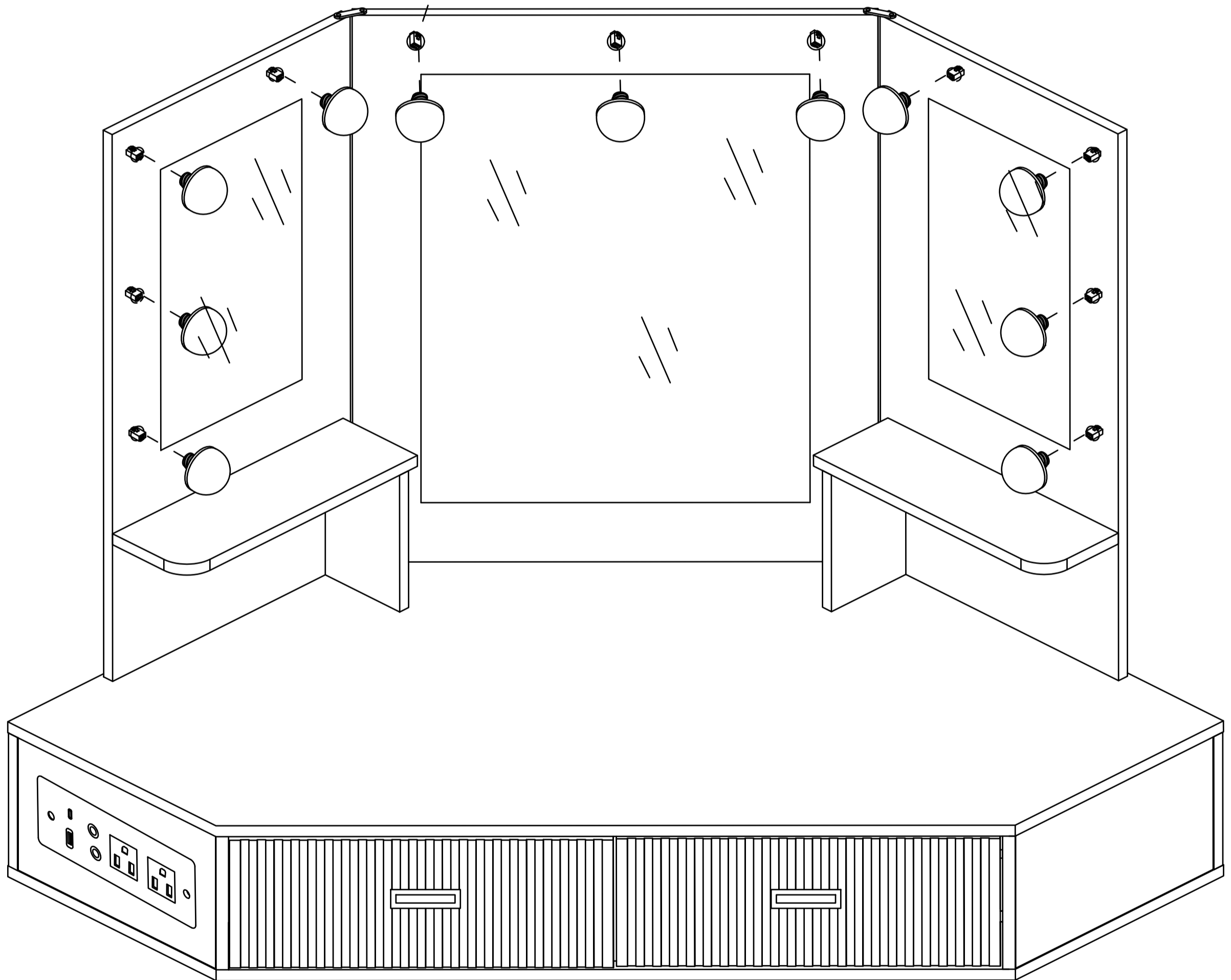
N



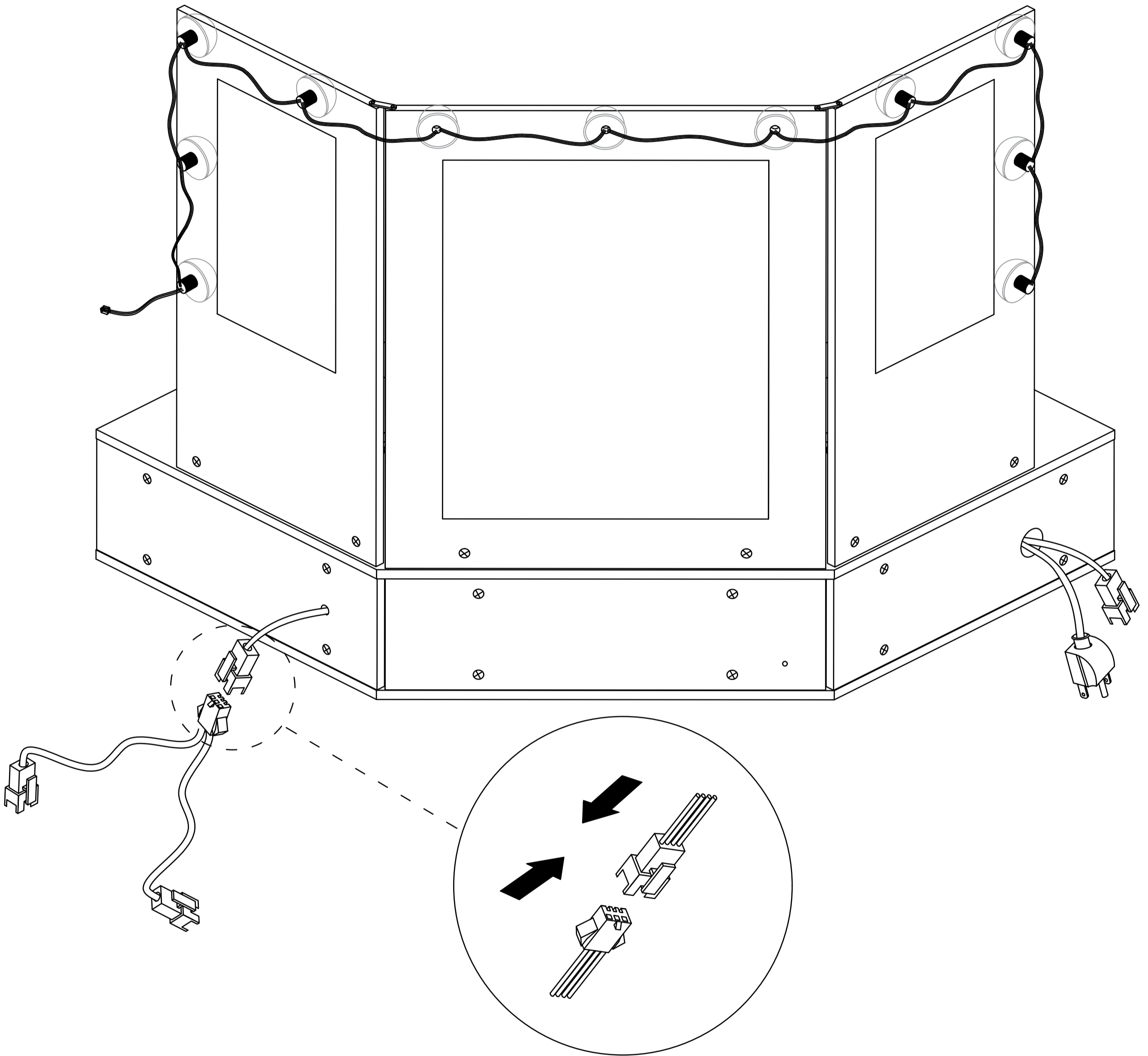
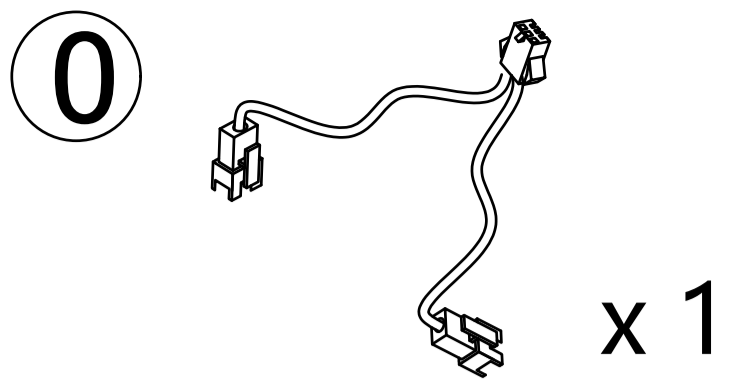
x 11



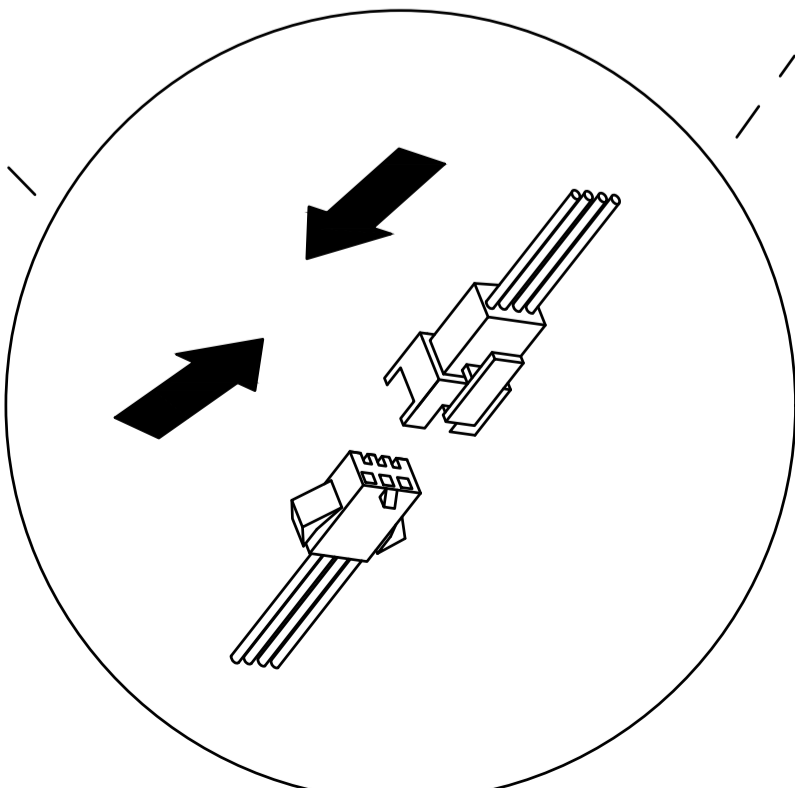
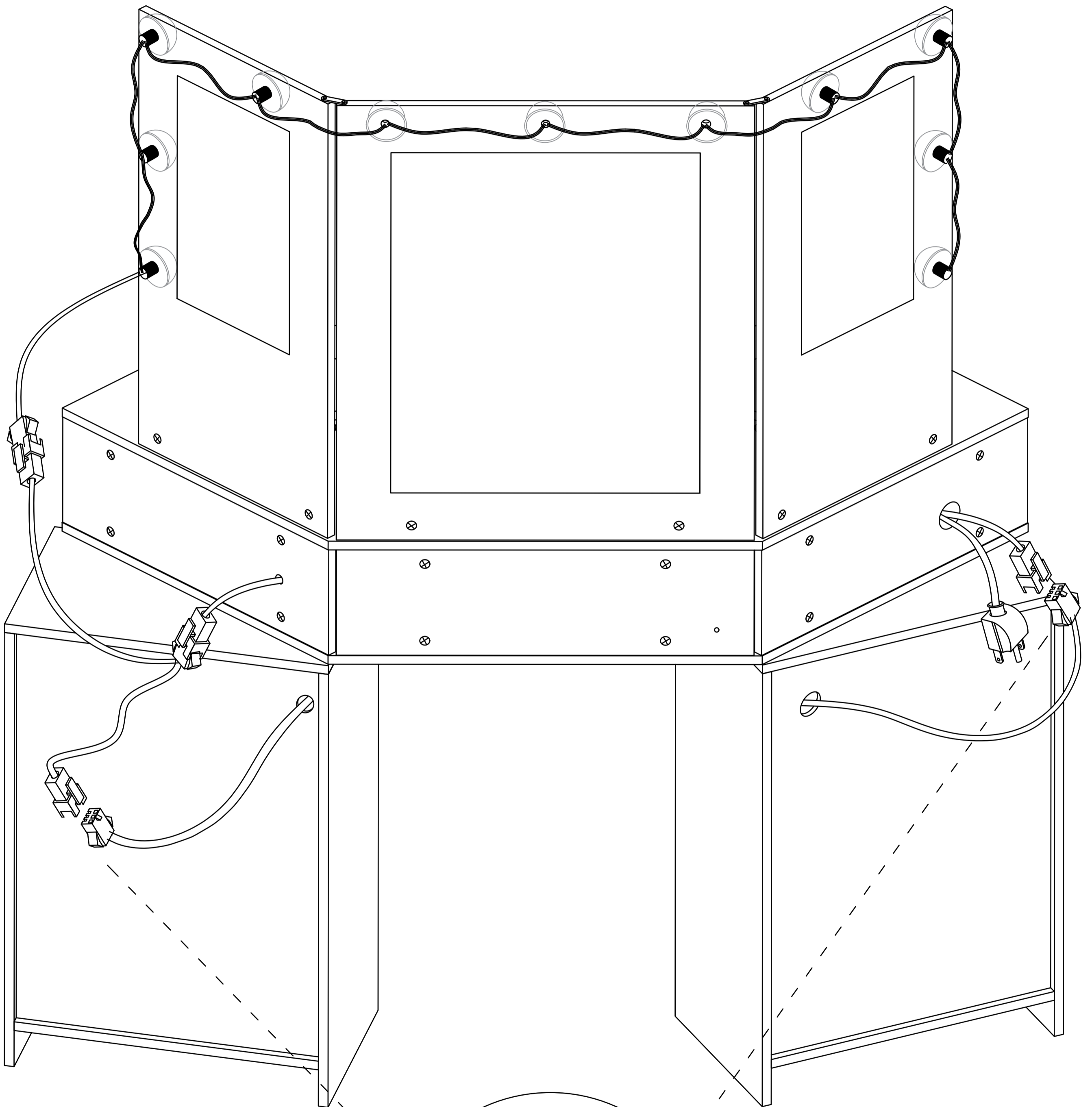
After inserting the bulb into the hole, glue the bulb to the board



Step 97

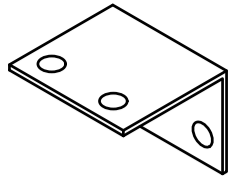
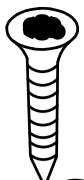


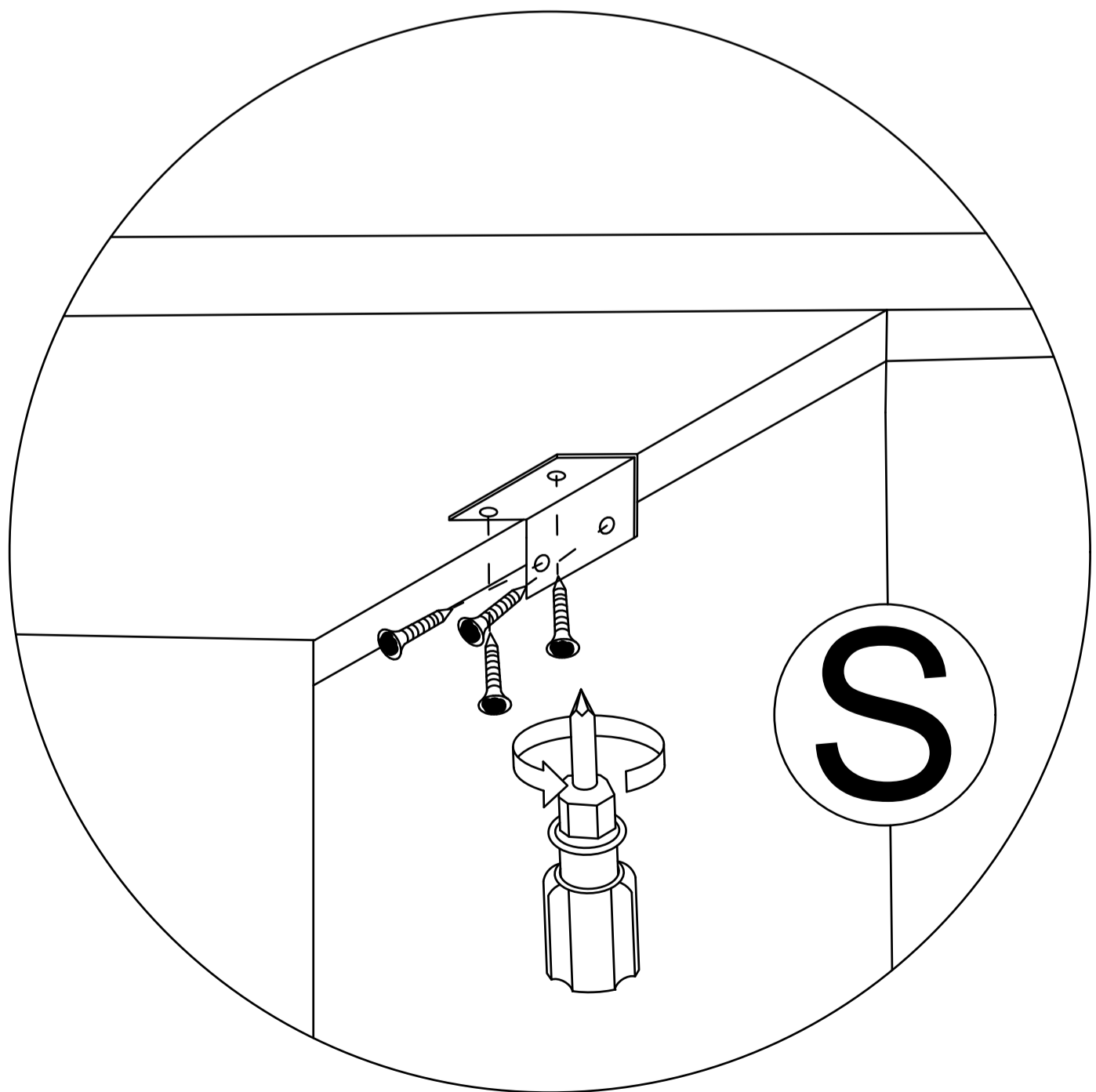
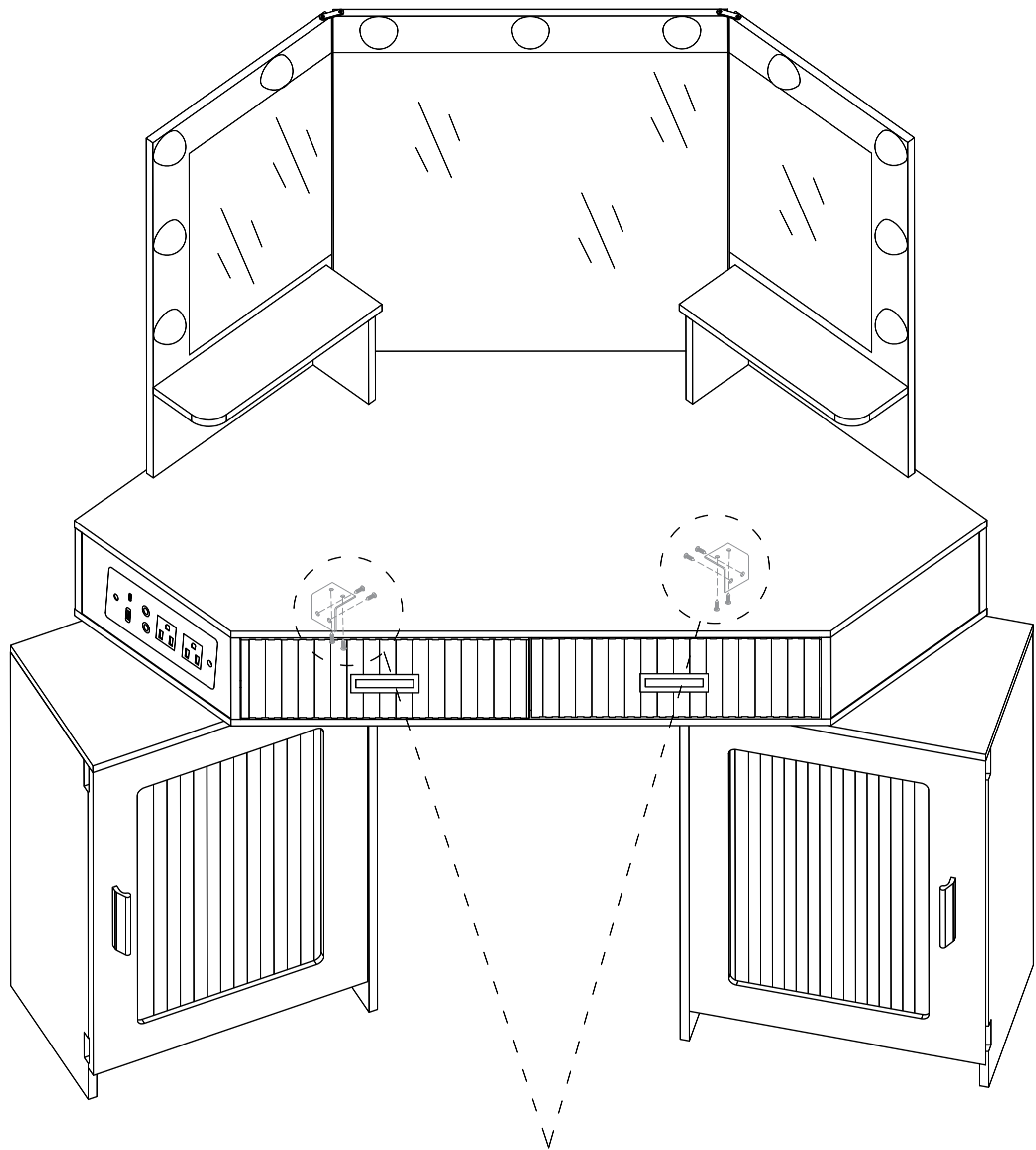
Step 98



SY

Step 99

(S)  x2  x8

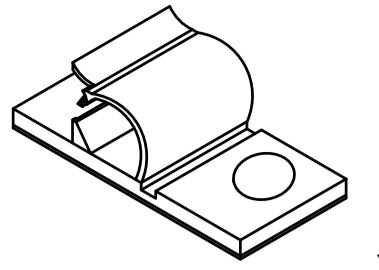


Adjust to the appropriate position and lock it

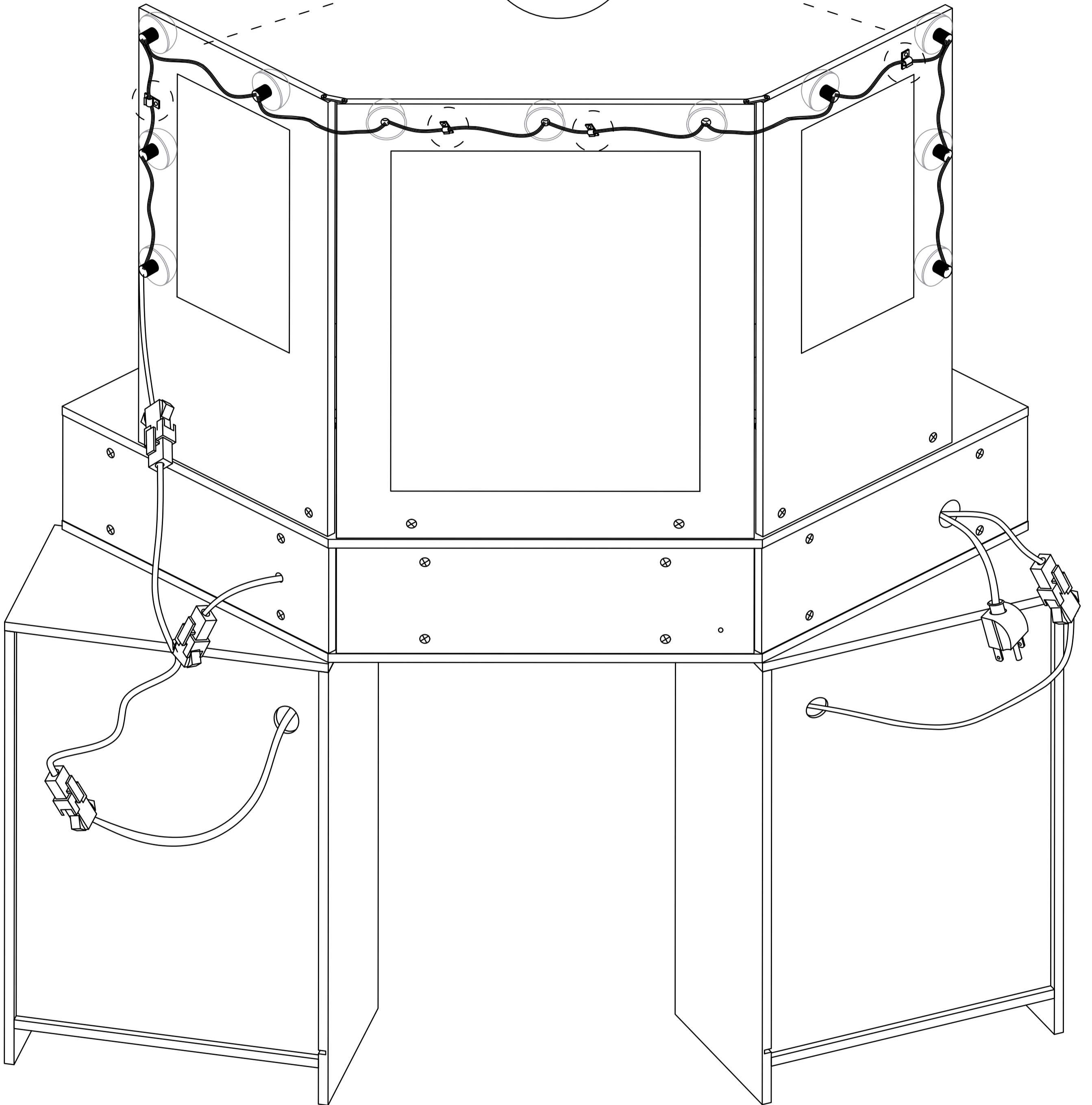
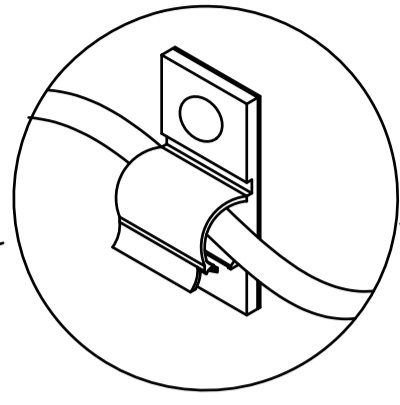
SY

Step 100

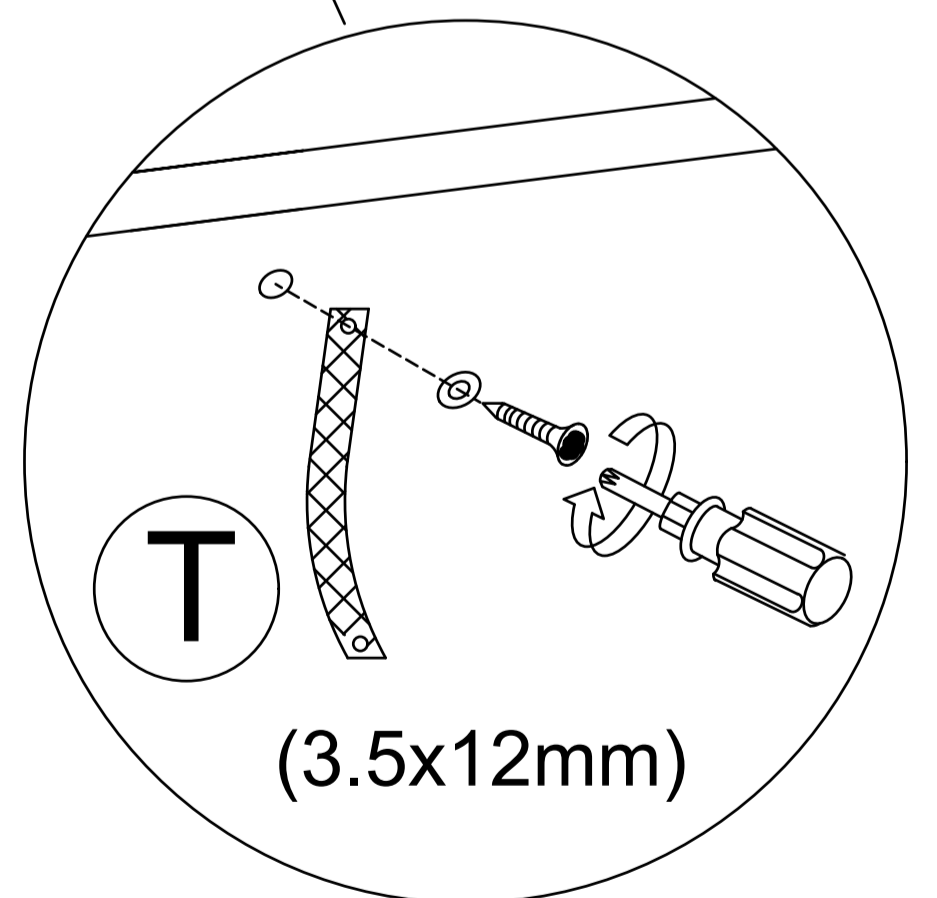
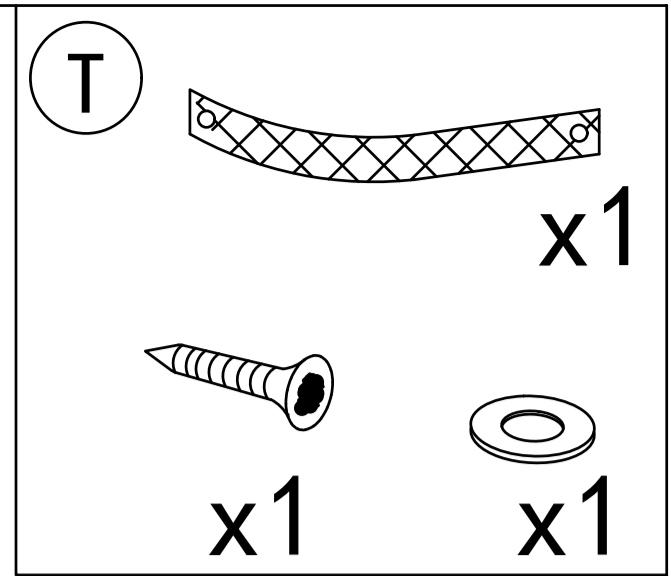
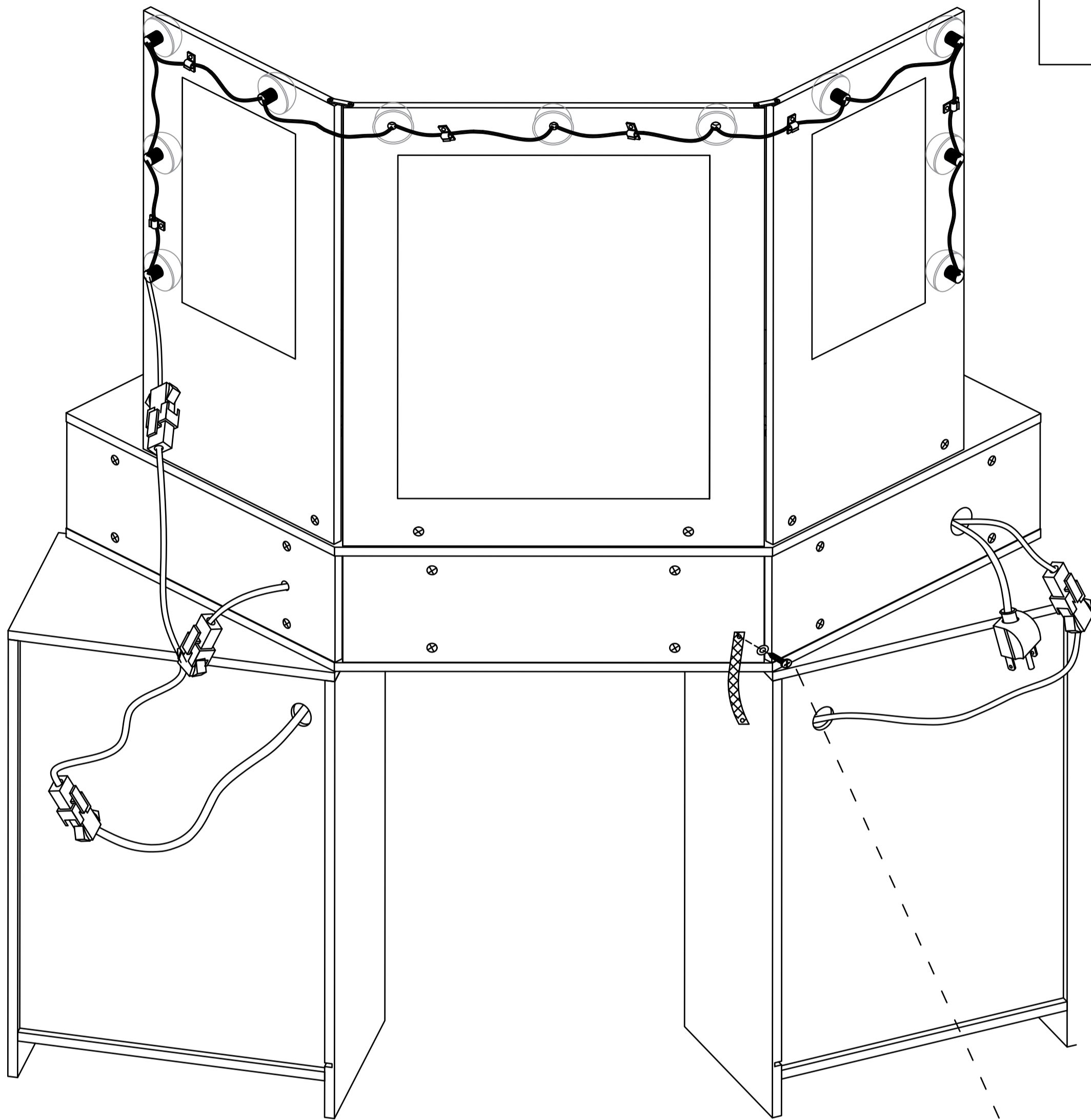
P



x4

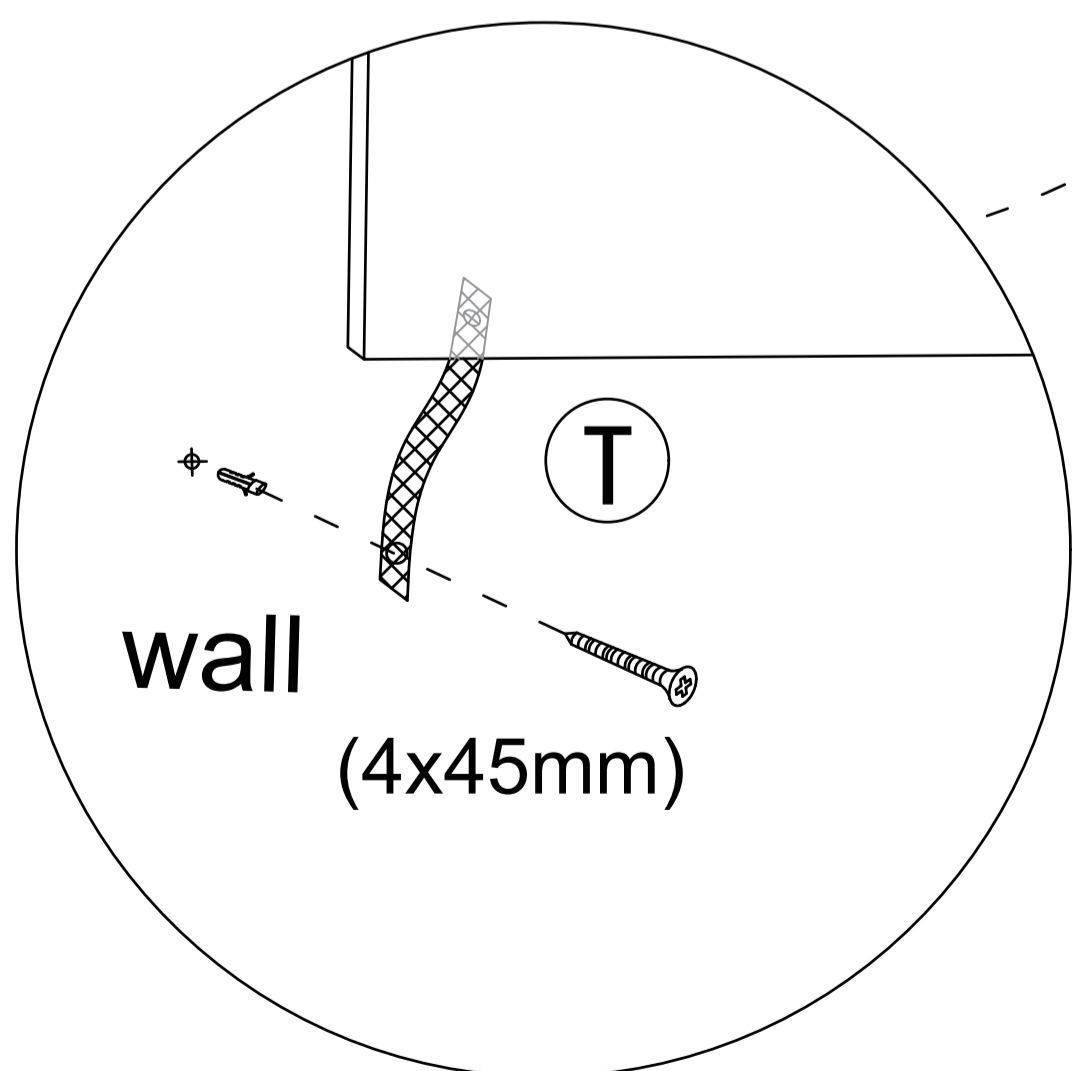
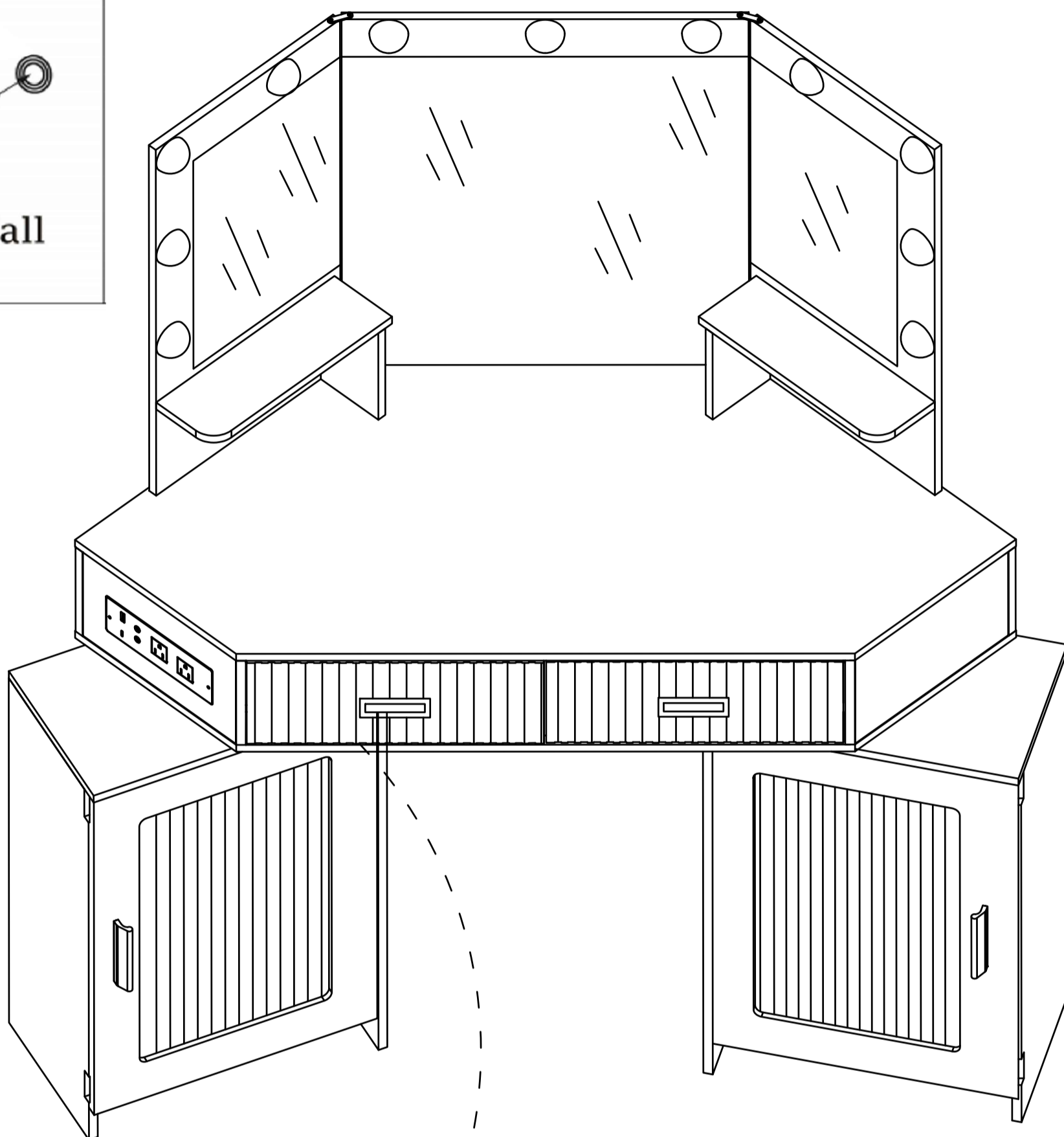
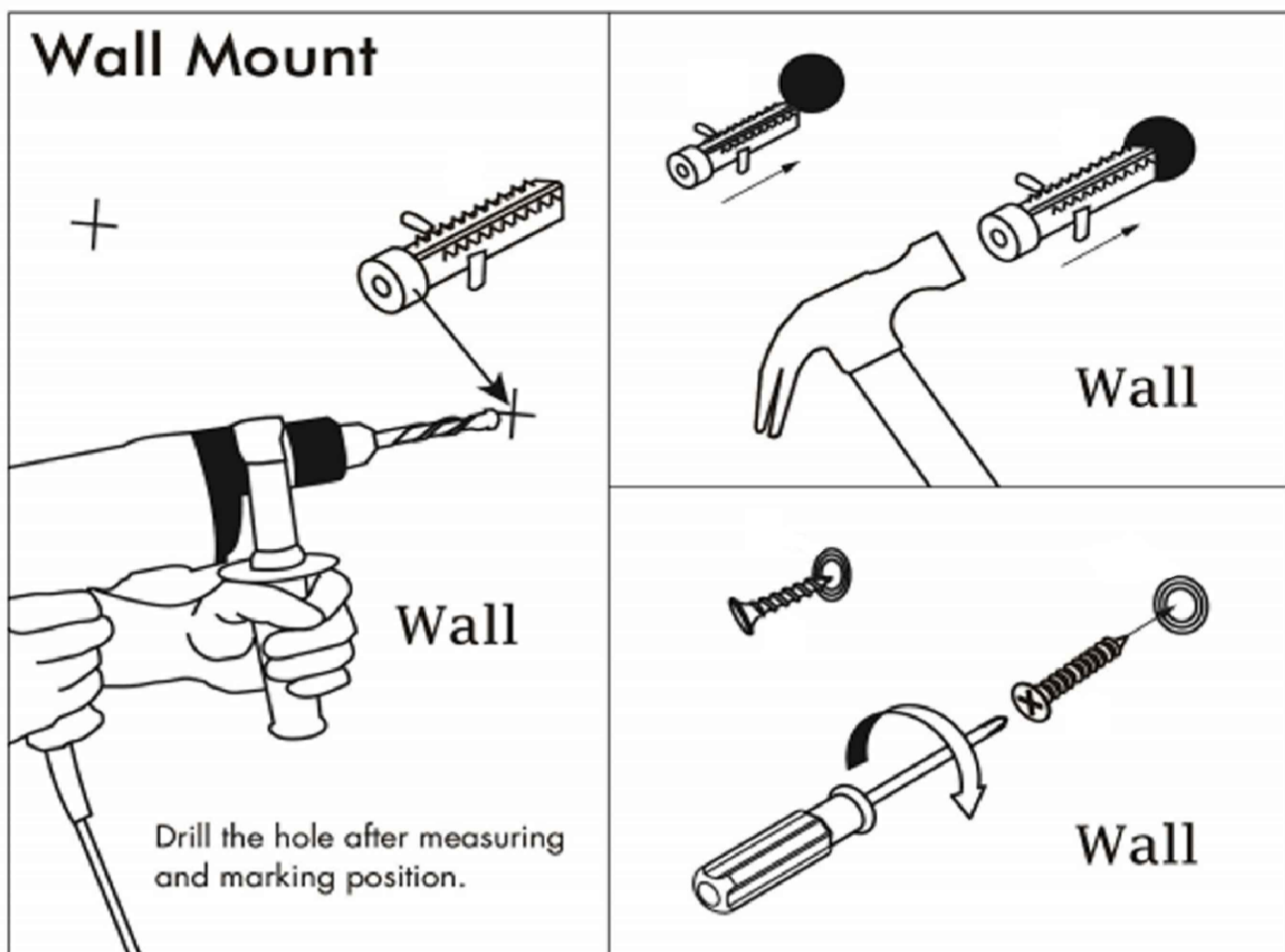
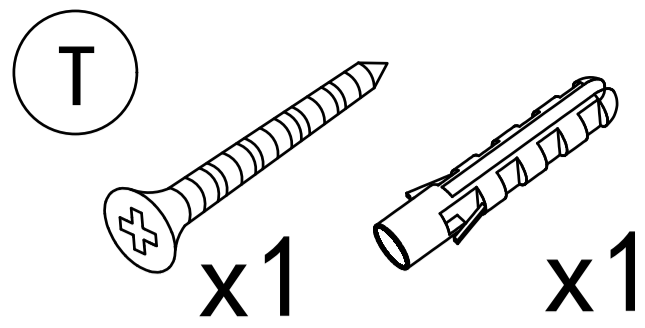


Step 101

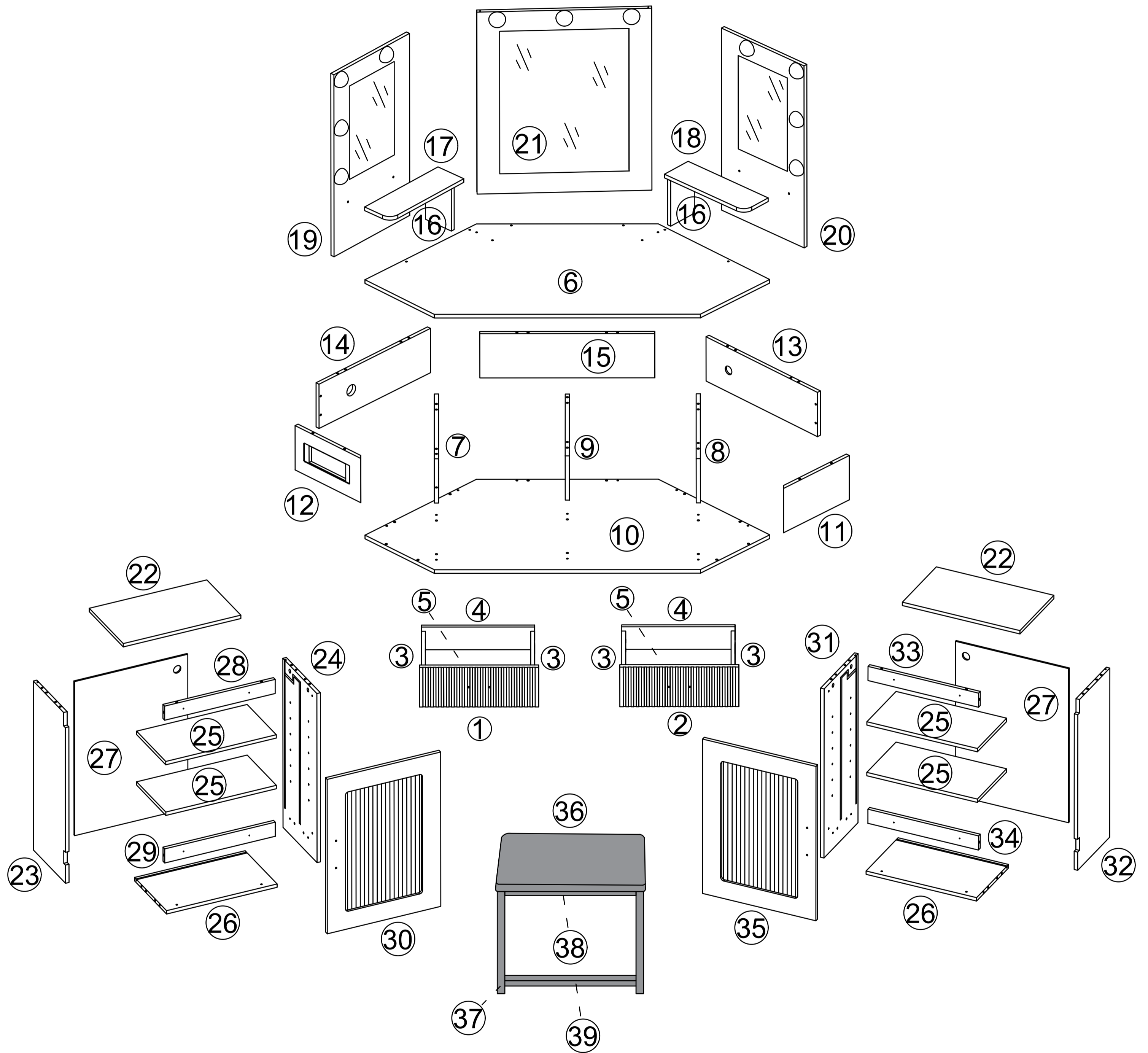


Install anti rewind tape at the edge of the board to prevent insufficient length when connecting to the wall

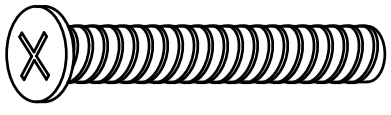
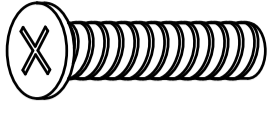
Step 102

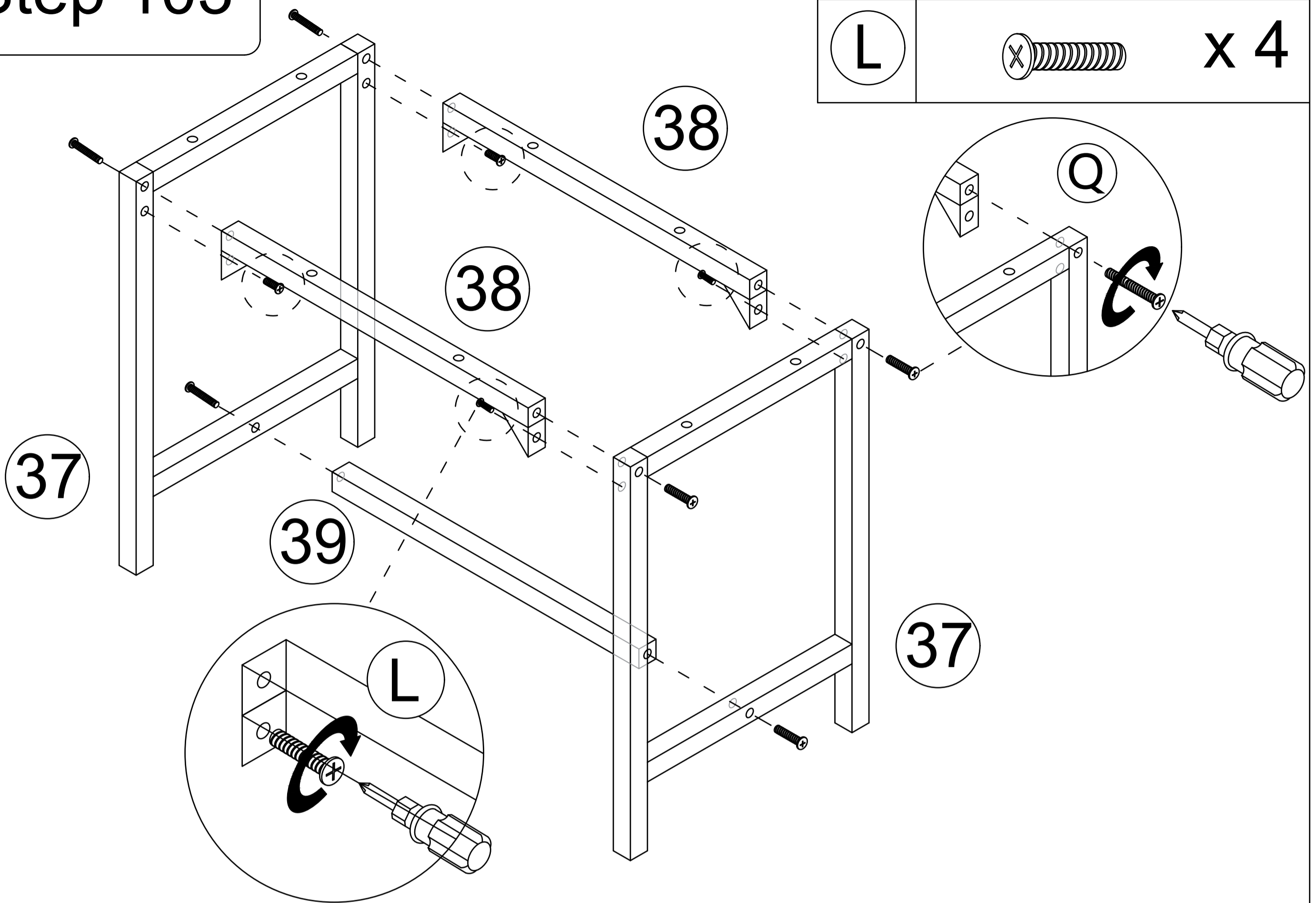


Product structure decomposition

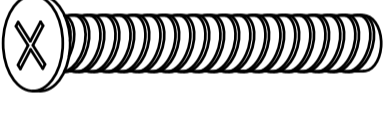


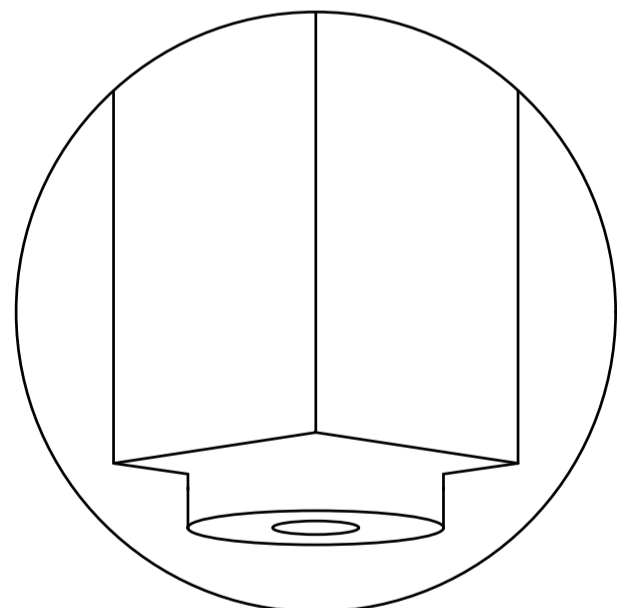
Step 103

Q		x 6
L		x 4

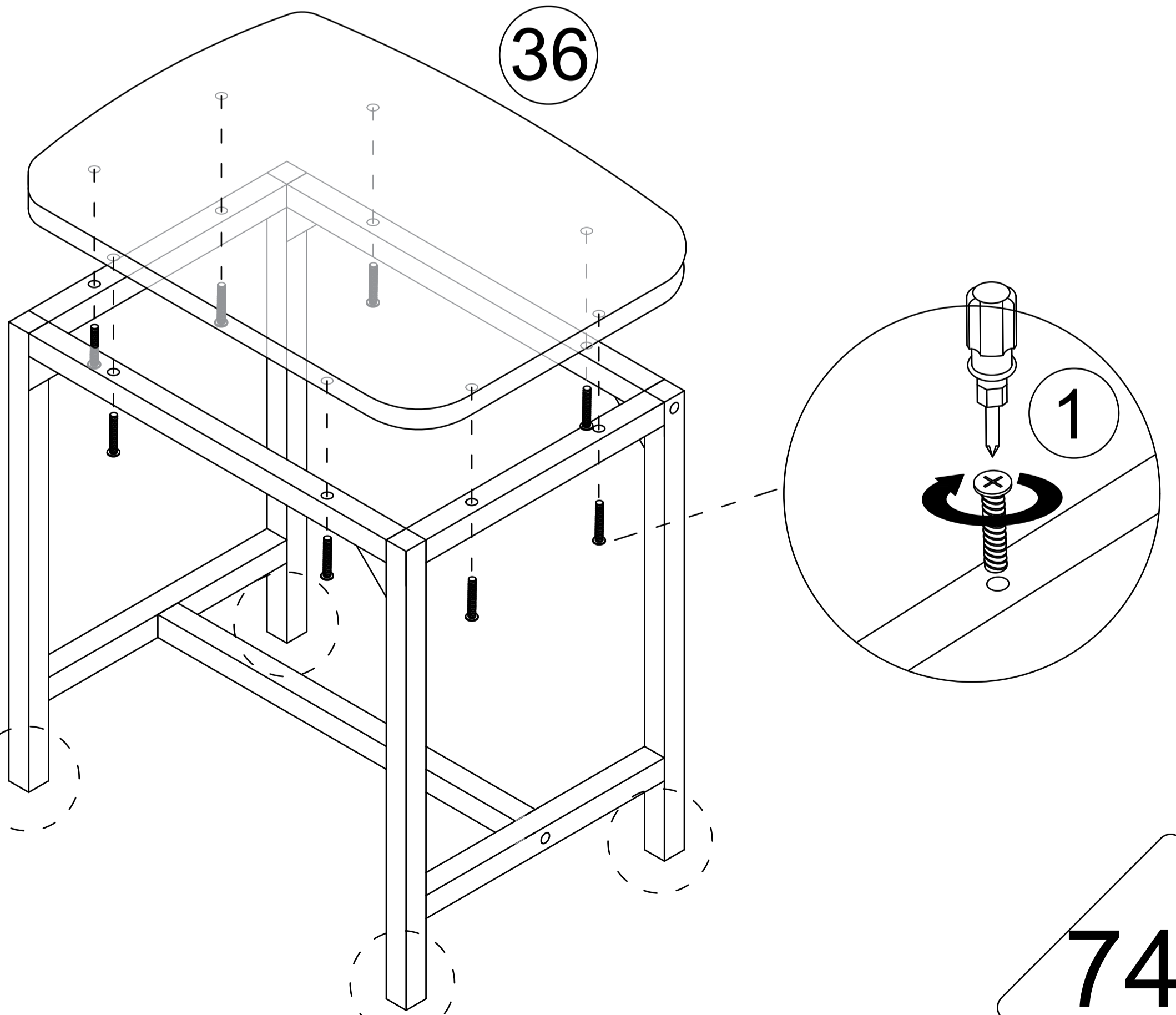


Step 104

Q		x 8
---	---	-----

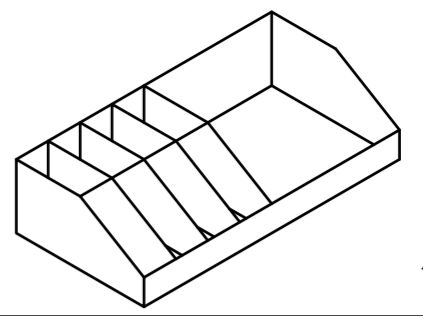


Note that the foot pad at the bottom of the iron frame can be rotated and adjusted according to the actual situation.

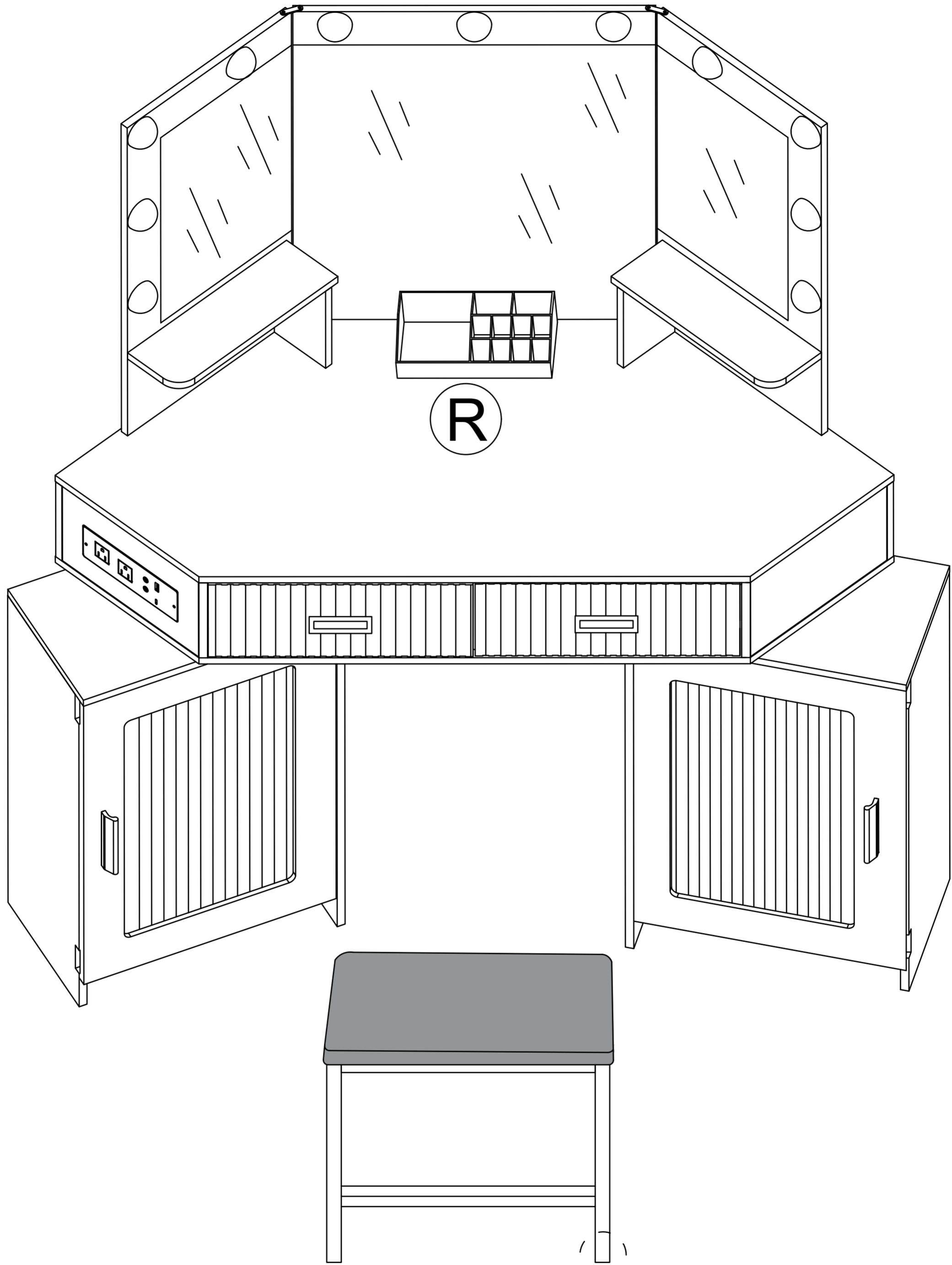


Step 105

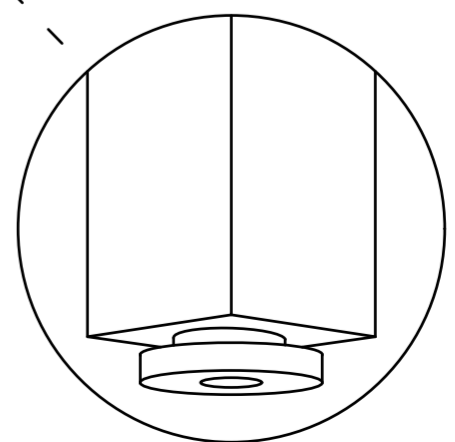
R



x 1



Height can be adjusted under the hardware foot to avoid imbalance



75



User's Guide

Thank you for purchasing this product.

To use this product, please plug it into a 12V DC power supply.

Please use if the product works normally after connecting to power.

Introduction

The box is an intelligent controller. It has 1 USB output port 1 Type-c port and can distribute the current output up to 5V DC-2A. With 2 touch buttons, it can turn. ON/OFF the light, change light colors, and adjust the light luminance.

Operation



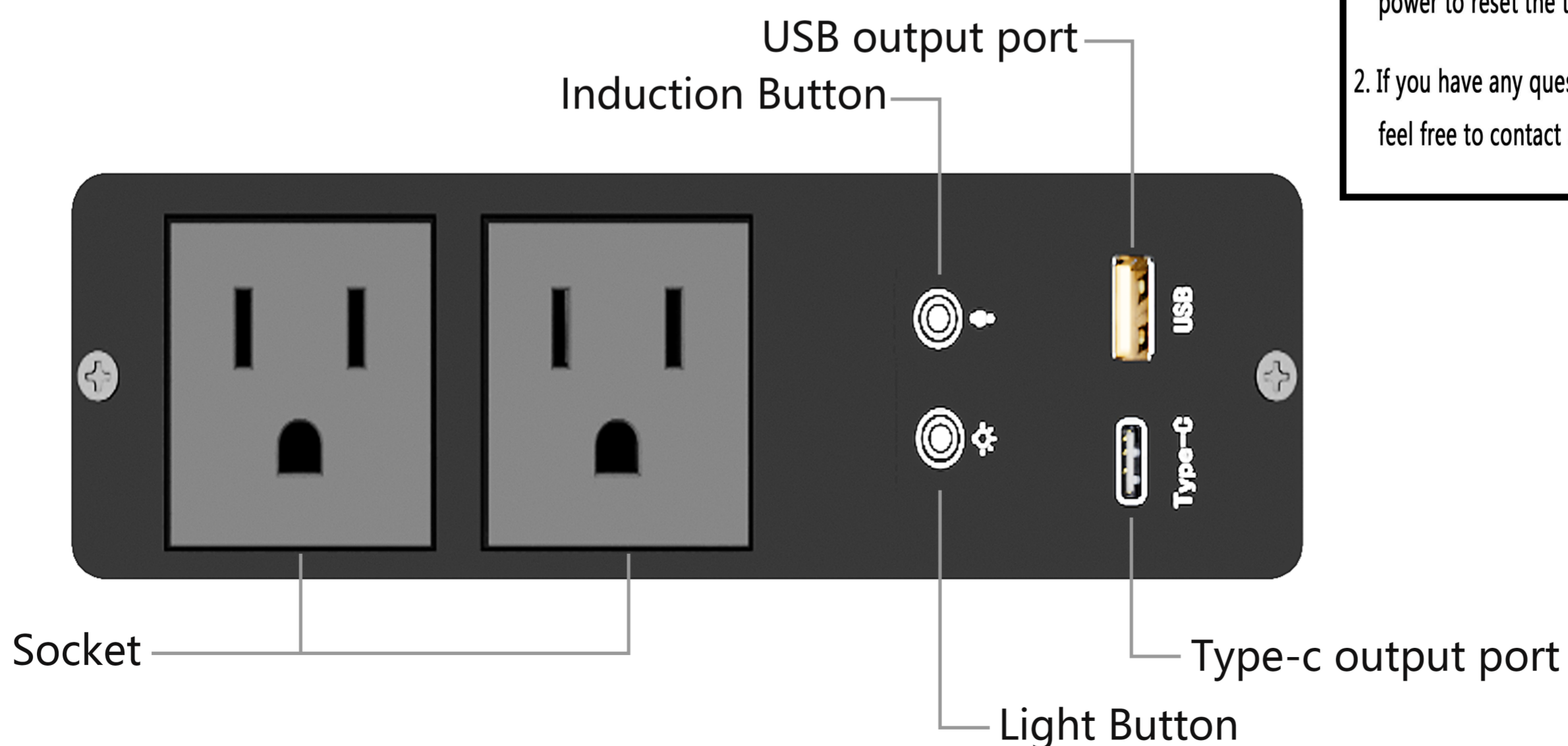
This touch button is used to turn on/off, change colors, and adjust brightness.

- A. Short touch -> lighting on -> short touch -> change light color -> short touch -> change light color -> short touch -> lighting off.
- B. Long touch -> adjust the luminance.



This touch button is used to turn on/off the induction function.

- A. Short touch to turn on the induction function. It can auto-turn on the light when people are close to the controller in 1 meters. It can auto power off the light when the body is far away from the controller after 30 seconds.
- B. Long touch to turn off the induction function.
- C. Note: When you touch the light button to change the light modes, the induction function will automatically turn off. It is best to turn on this function after selecting the light color and adjusting the brightness you want.



ATTENTION PLEASE

1. If there is no touch response suddenly, Re-plug the power to reset the touch static electricity.
2. If you have any questions when installing, please feel free to contact us. Thank you.

Socket styles differ by region,
but their overall functions remain unchanged.

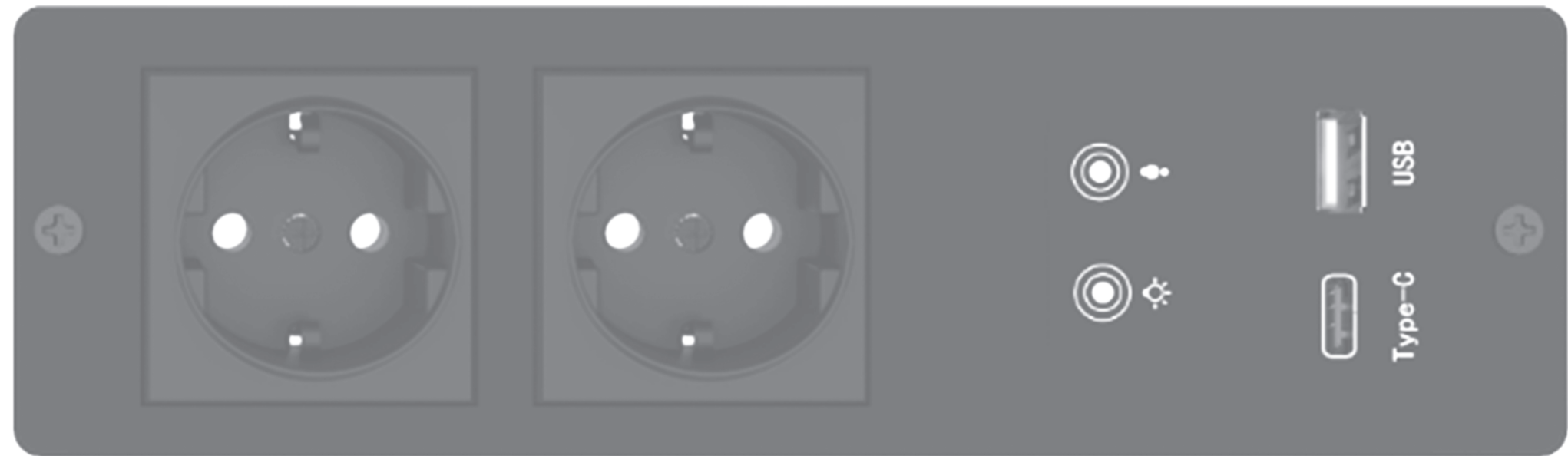
American socket



British Socket



European socket



Australian socket

