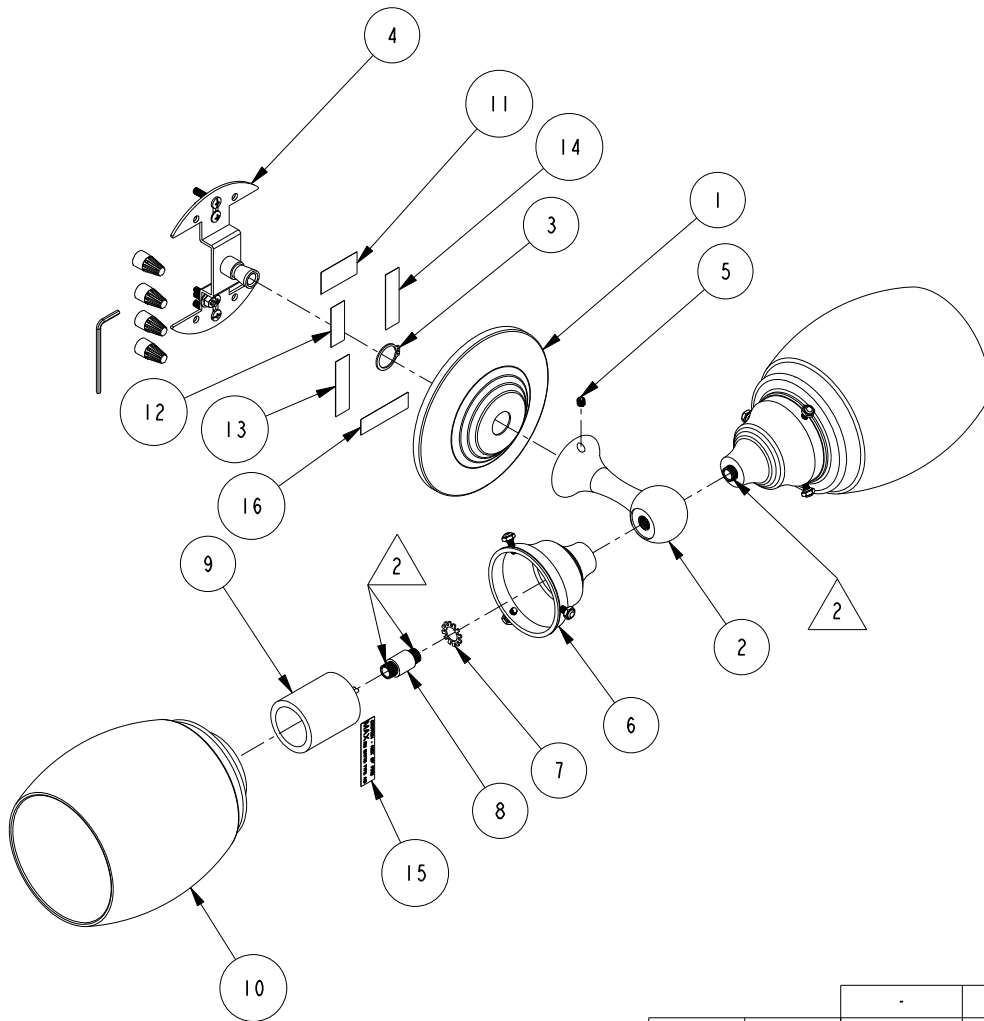
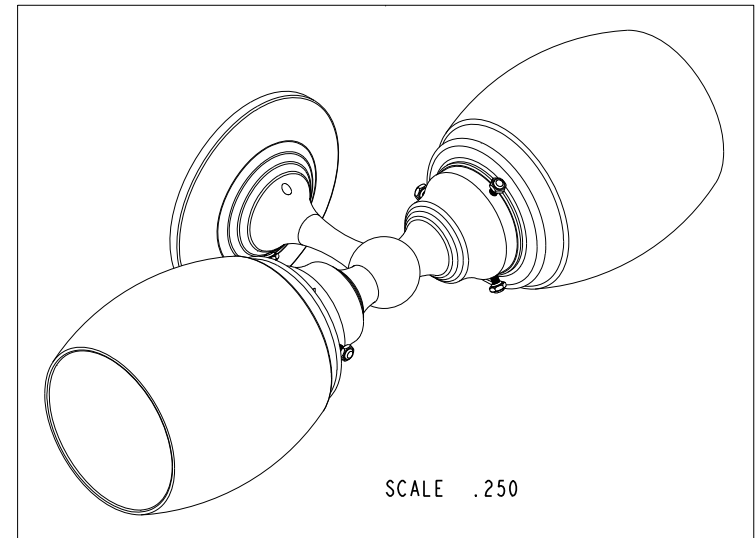


NOTES:

- (N1) 1. FIT / FORM / FUNCTION SHALL FOLLOW PS-E.008.
- (N2) 2. APPLY LOCTITE 680.



BILL OF MATERIAL (CURRENT LEVEL)				
ITEM	PT/ASSY	DESCRIPTION	TYPE	QTY.
1	0182-RB	BASE	PART	1
2	0182-P	DOUBLE LIGHT POST	PART	1
3	92318	SNAP RING, 17MM X 1MM STEEL EXTERNAL	PART	1
4	CB-002	LIGHT MOUNTING PACK	ASSEMBLY	1
5	92308	SCRW, M5 X 5 SKT HD CUP PT SS	PART	1
6	0182-LC	LAMP HOLDER CUP ASSEMBLY	ASSEMBLY	2
7	92379	WSHR, 10.5 ID X 18 OD X 0.9MM THK, EXT. TOOTH LOCK, SS	PART	2
8	0182-N	1/8" x 1-1/8" PIPE NIPPLE W/SHOULDER	PART	2
9	ML4-18	PORCELAIN LAMPHOLDER	PART	2
10	0182-G-SO	OPAL GLASS SHADE - SATIN	PART	2
11	98006	LABEL, UL LISTED	PART	1
12	98079	LABEL, MONTH YEAR E222146	PART	1
13	98012	LABEL, WALL MOUNT ONLY	PART	1
14	98113	LABEL,PNXXX INCANDESCENT FOR DAMP LOCATIONS	PART	1
15	98101	LABEL, 100 WATTS MAX	PART	2
16	98088	LABEL, MIN 75 C SUPPLY CONDUCTORS	PART	1



-	D	EN-3754	11/20/18	J.M.
-	C	EN-3127	08/29/16	R.S
-	B	EN-2352	11/12/12	-
-	A	EN-1424	12/31/09	-
ZONE	REV	DESCRIPTION	DATE	APPROVED

COPYRIGHT 2005 BRASSTECH, INC. THESE DRAWINGS AND THE DESIGNS DEPICTED HEREIN ARE THE PROPRIETARY PROPERTY OF BRASSTECH. ANY USE OR REPRODUCTION IS SUBJECT TO THE EXPRESS APPROVAL OF BRASSTECH. UNAUTHORIZED USE IS STRICTLY PROHIBITED. ALL RIGHTS RESERVED.

TESTING	-	-	-
ASSEMBLY	-	-	-
PLATING	-	-	-
POLISHING	-	NEXT ASSY	USED ON
MACHINING	-	APPLICATION	
TOOLING FIXTURE #	REMOVE ALL BURRS AND SHARP EDGES		

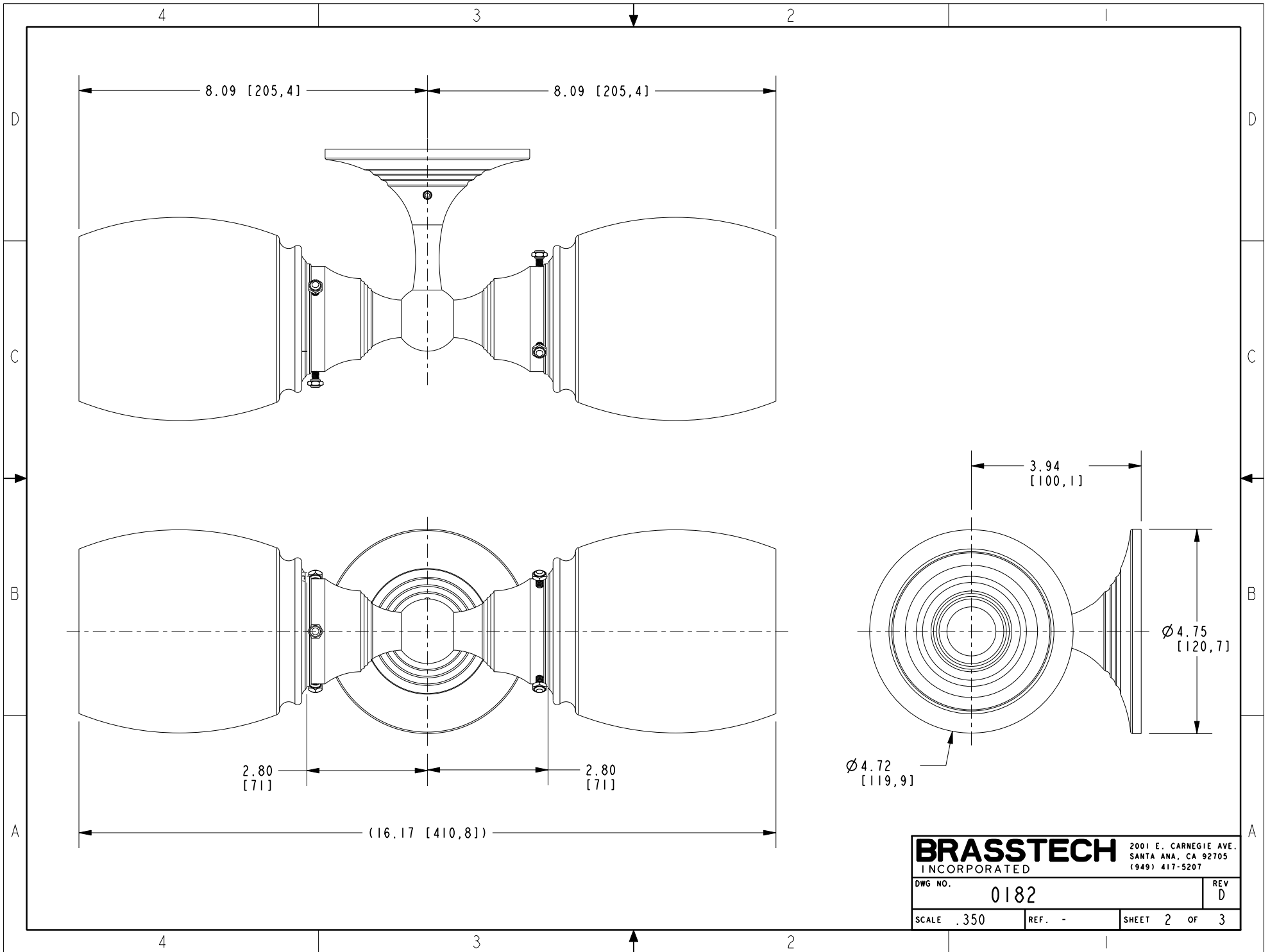
UNITS ARE: INCHES [MM]	
TOLERANCES ARE:	
FRACTIONS DECIMALS	ANGLES
±1/16"	±1°
.X ±.1 [2,5]	
.XX ±.06 [1,5]	
(X.XXX) DENOTES CRITICAL DIMS. ALL THREADS ARE CRITICAL	
DRAWN	AMARISH 08/29/16
CHECKED	RAVINDRA 08/29/16
APPROVED	R.S 08/29/16

**BRASSTECH** 2001 CARNEGIE AVE. SANTA ANA, CA 92705 (949) 417-5207  
INCORPORATED

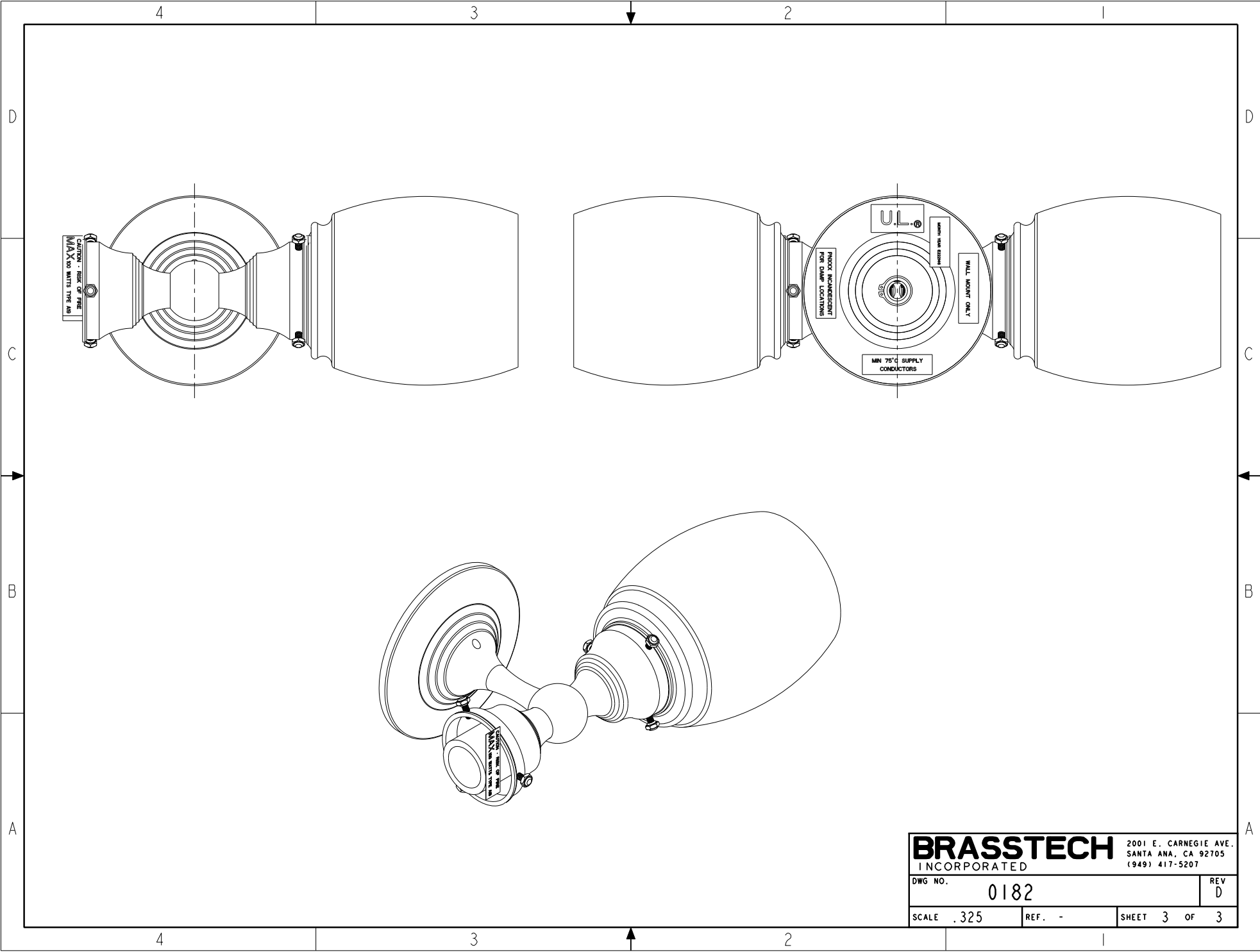
**DOUBLE LIGHT W/GLASS SHADE**

DWG NO. **0182** REV **D**

SCALE .200 REF. - SHEET 1 OF 3



<b>BRASSTECH</b>		2001 E. CARNEGIE AVE.	
INCORPORATED		SANTA ANA, CA 92705	
		(949) 417-5207	
DWG NO.	0182	REV	D
SCALE	.350	REF.	-
		SHEET	2 OF 3



<b>BRASSTECH</b>		2001 E. CARNEGIE AVE.	
INCORPORATED		SANTA ANA, CA 92705	
		(949) 417-5207	
DWG NO.	0182	REV	D
SCALE .325	REF. -	SHEET 3	OF 3