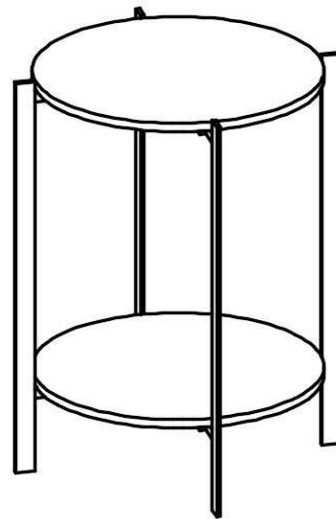


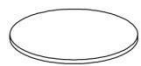

ASSEMBLY INSTRUCTIONS.

ACCENT TABLE


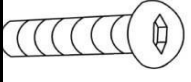



THANK YOU FOR YOUR PURCHASE!

PART LIST

NO.	DESCRIPTION	IMAGE	QTY
(1)	TOP		2
(2)	BASE		1

HARDWARE LIST

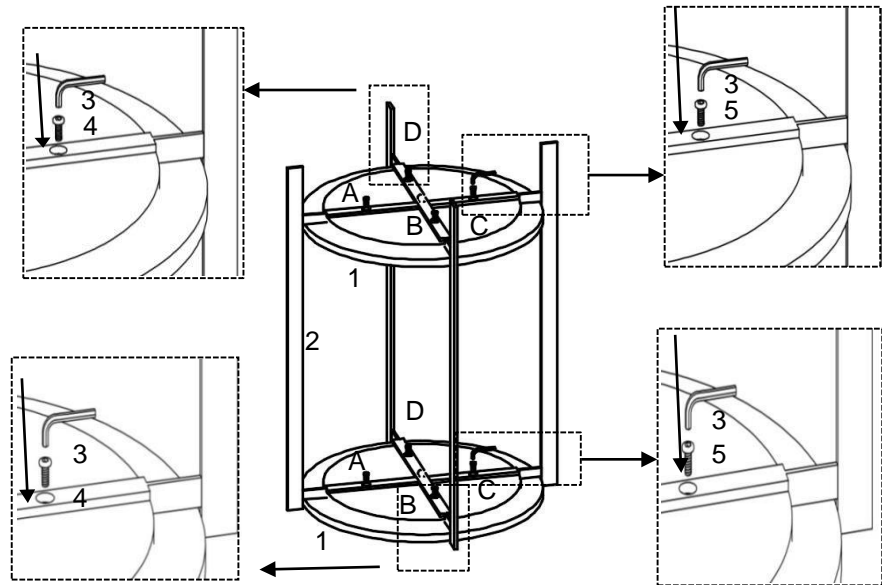
NO.	DESCRIPTION	IMAGE	QTY
(3)	ALLEN KEY 3MM		1
(4)	ALLEN BOLT 5/20MM		4
(5)	ALLEN BOLT 5/16MM		4

NOTES.

Thankyouforpurchasingthisqualityproduct!Be suretocheckallpackingmaterialcarefully for small partthatmay havecomeloose inside the carton during shipping.

CAUTION: The item is Light weight assembly should be performed by one people.

STEP 1.



STEP 2.

