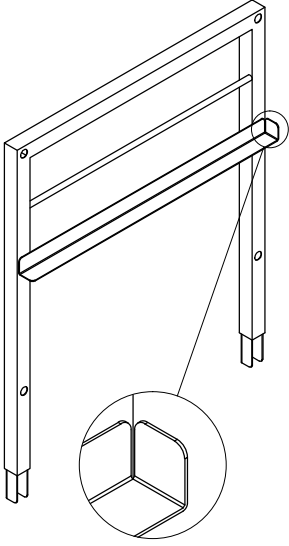
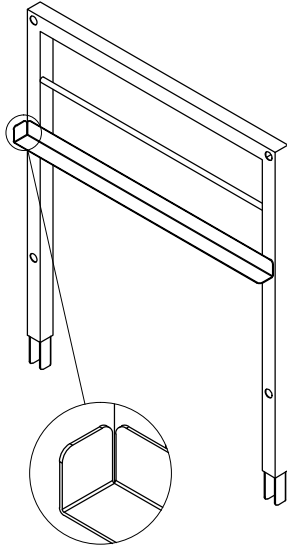


Assembling Instruction

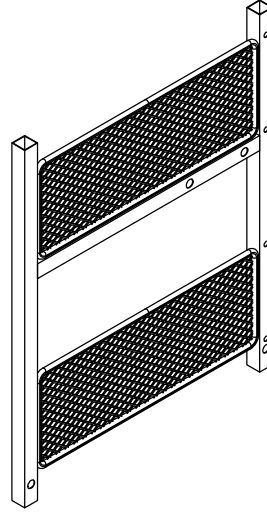
Parts Included



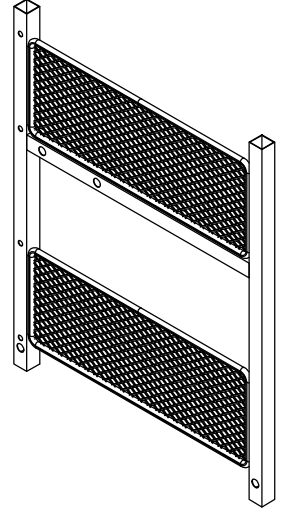
1pc
A



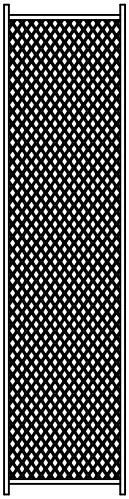
1pc
B



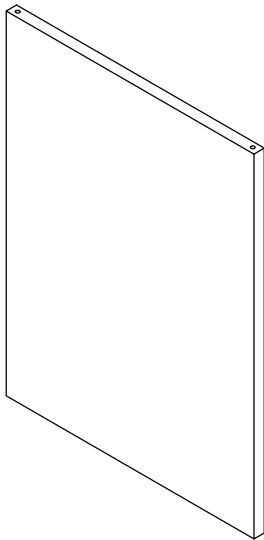
1pc
C



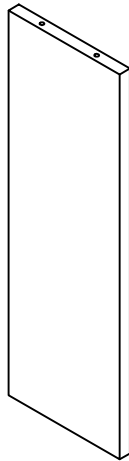
1pc
D



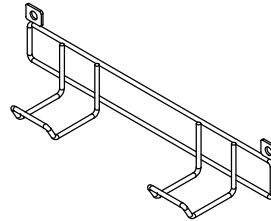
2pcs
E



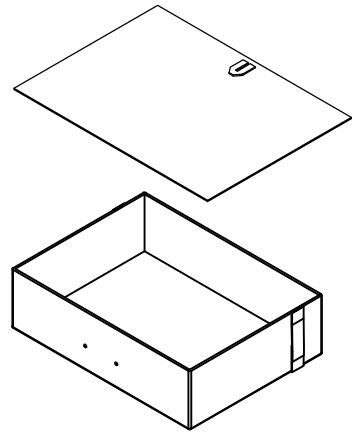
3pcs
F



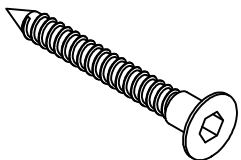
1pc
G



1pc
H



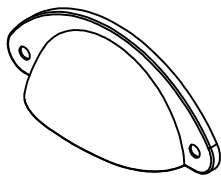
1pc
I



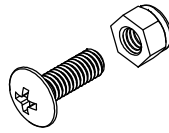
18pcs
①



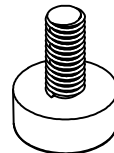
5pcs
②



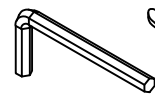
1pc
③



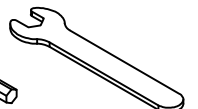
3pcs
④



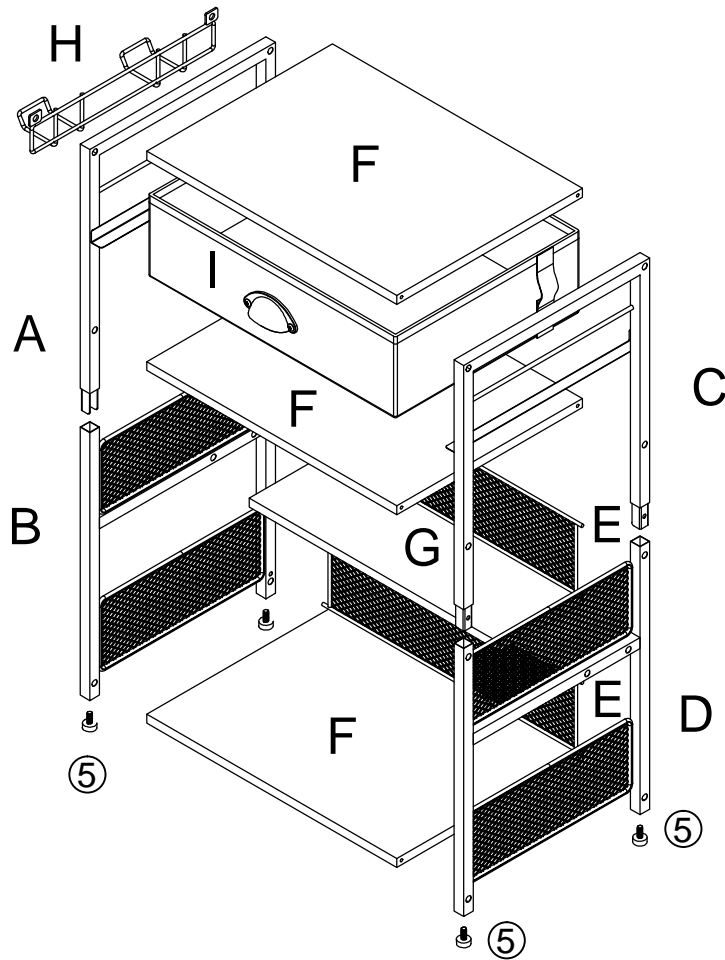
4pcs
⑤



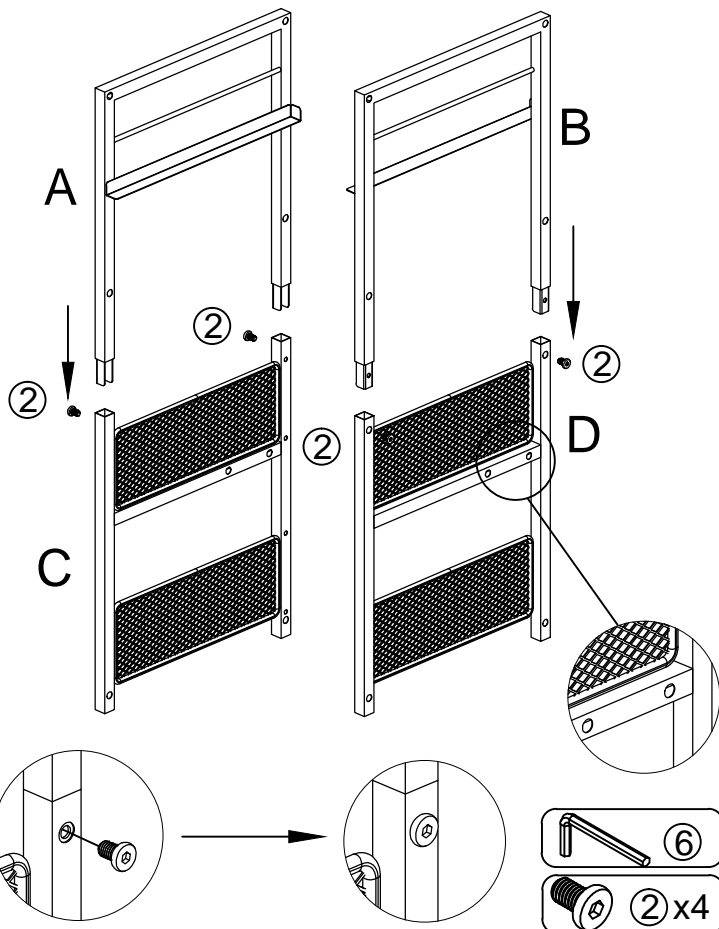
1pc
⑥



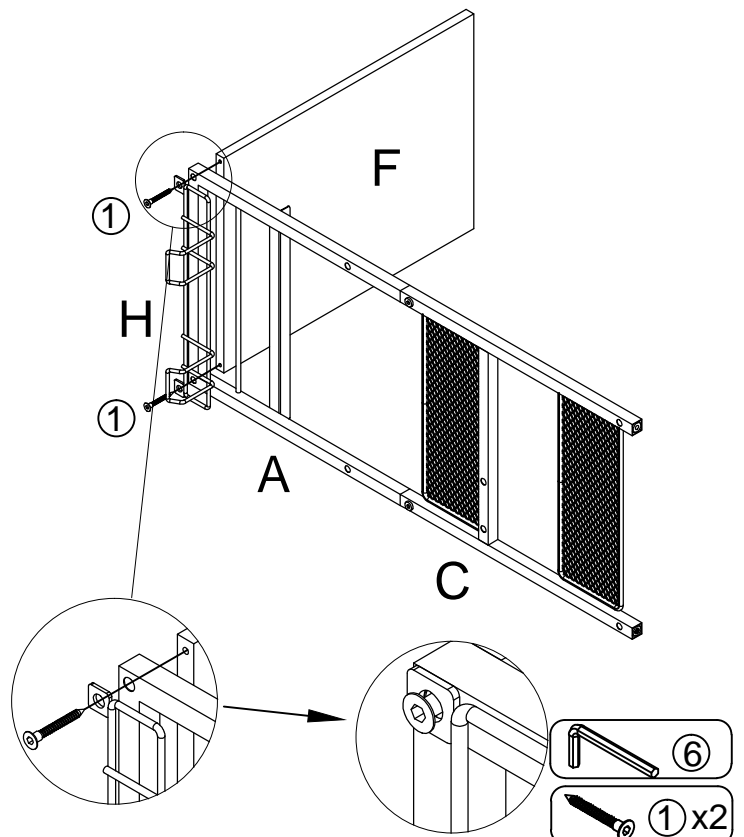
1pc
⑦



1. Connect A and C, B and D together at the top and bottom with screws ②.

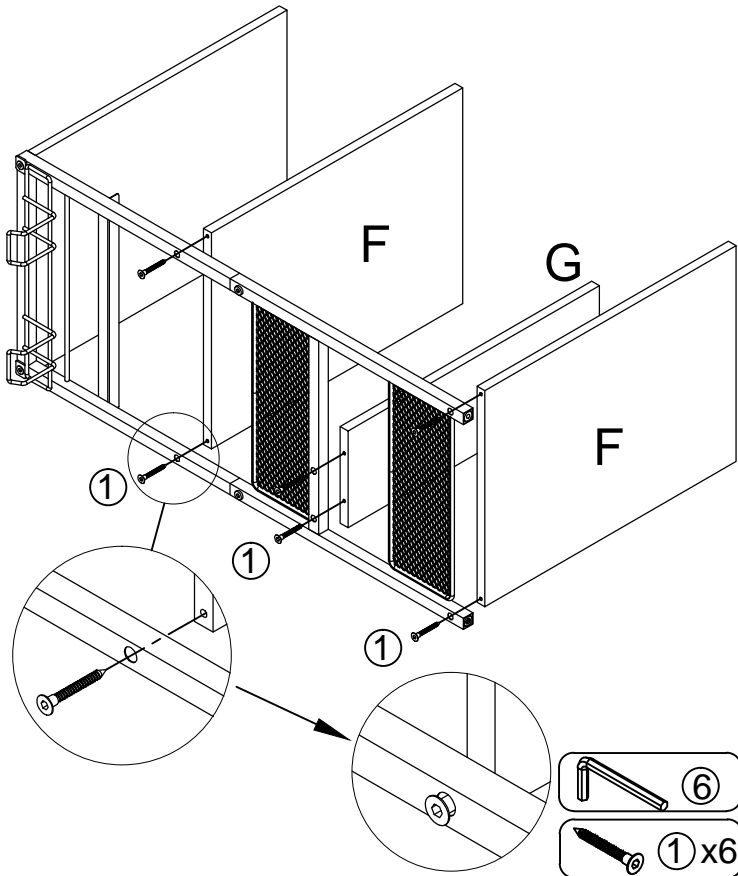


2. To install the hook H, align H with the holes of A and F before screwing in the screws ①. You can also install the hook on the BD side in the same way. Note: Do not tighten the screws first.

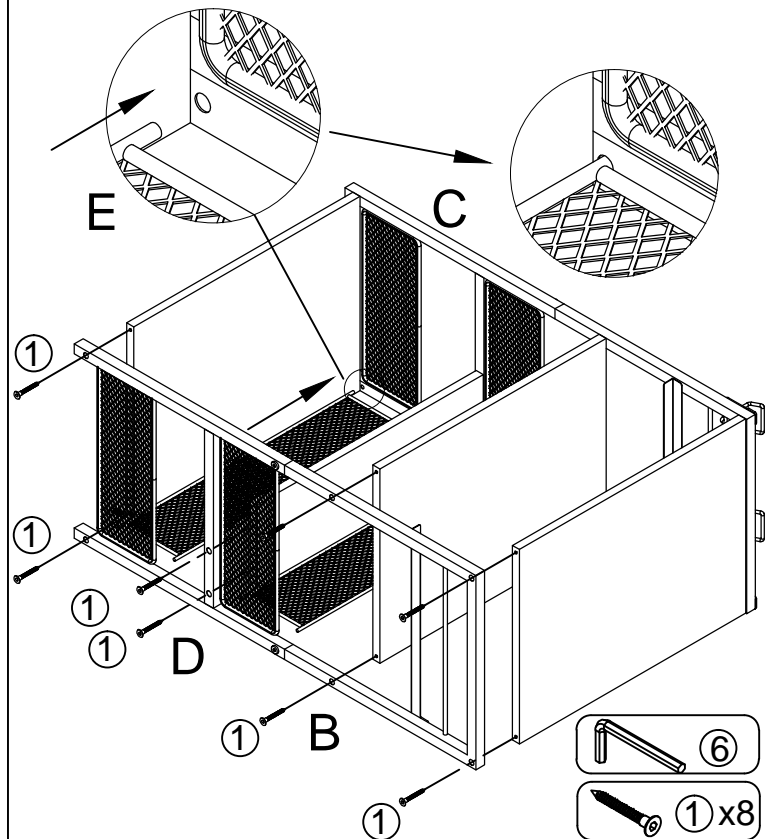


3. Use the screws ① to lock the boards F, G on the shelf.

Note: Do not tighten the screws first.

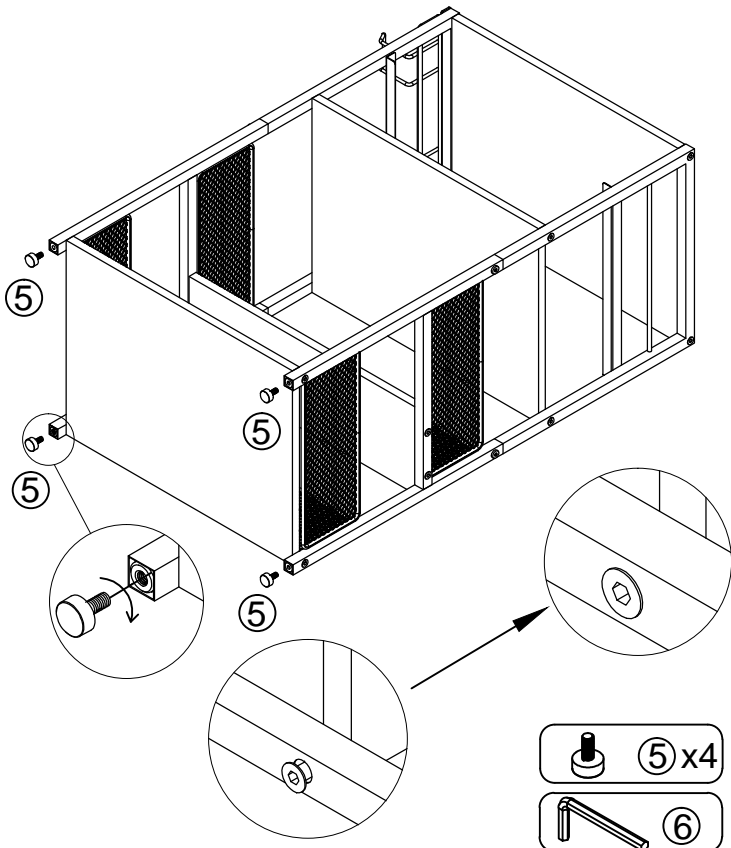


4. Insert E into the tube holes on both sides corresponding to C and D. Then use the screws ① to lock the shelf and the board together.

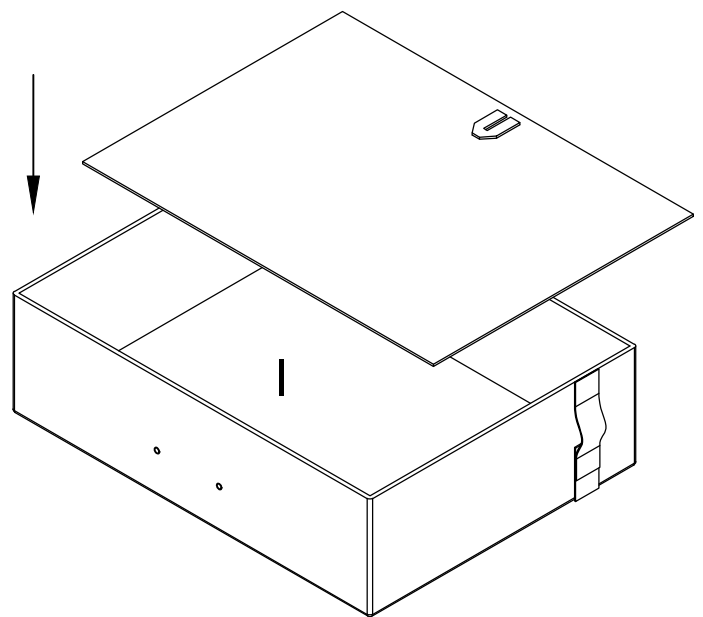


5. Install the adjustable feet into the bottom of the shelf and twist by hand. Tighten all the screws ① after standing up the shelf.

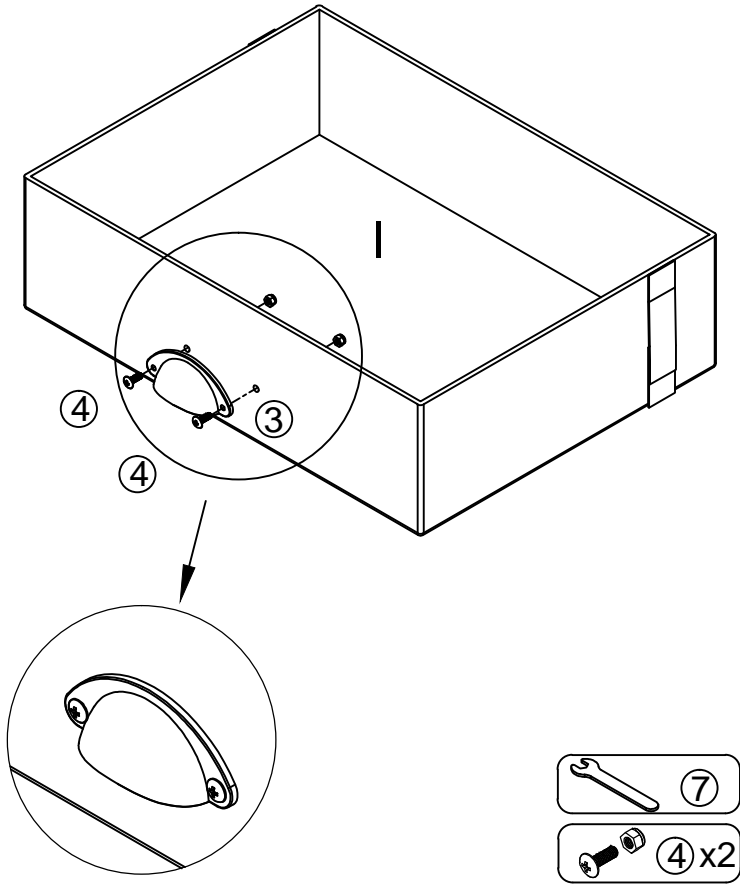
Note: If the shelf is not stable, it can be stabilized by adjusting the adjusting feet at the bottom.



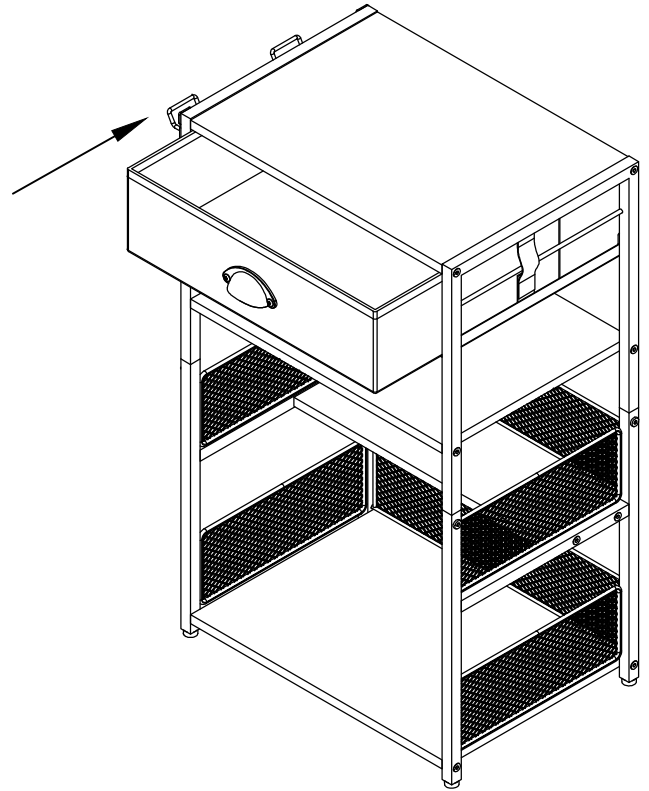
6. Assemble the fabric drawer I and place the support board inside the fabric drawer.



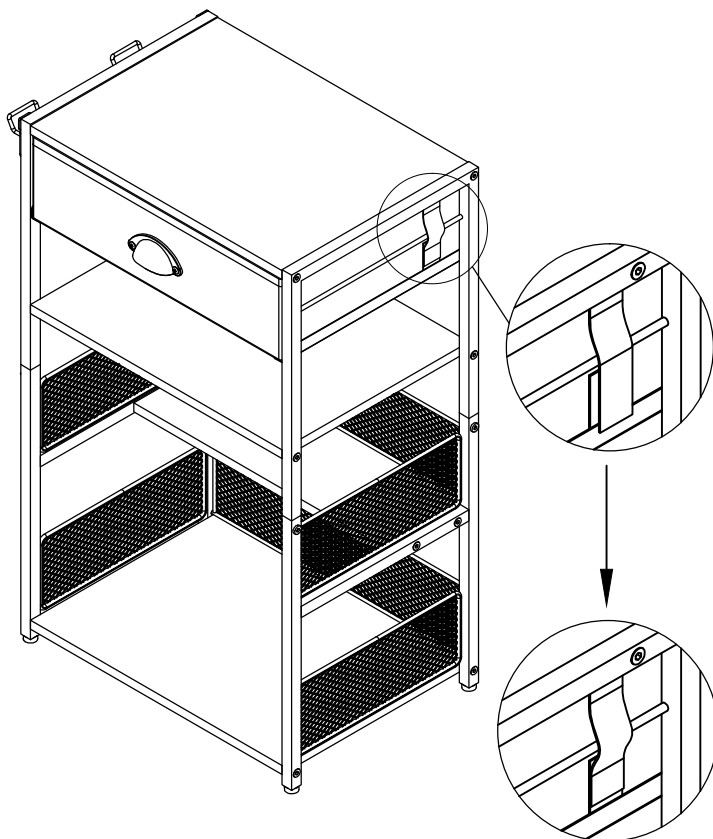
7. Use ④ to lock ③ on the drawer. (You need to use both a screwdriver and a wrench ⑦ to lock it)



8. Attach the drawers to the shelf rails.



9. Open the Velcro on the side of the drawer, wrap it around the outside of the wire and reattach it to secure the drawer.



10. Installation is complete as shown.

