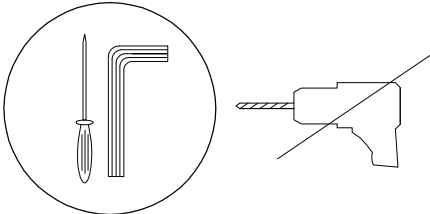
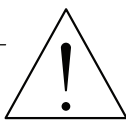
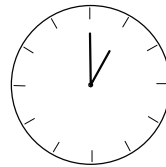
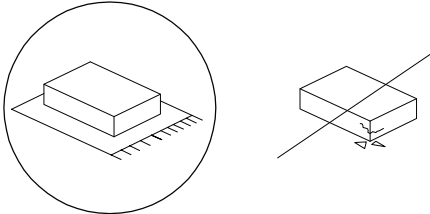


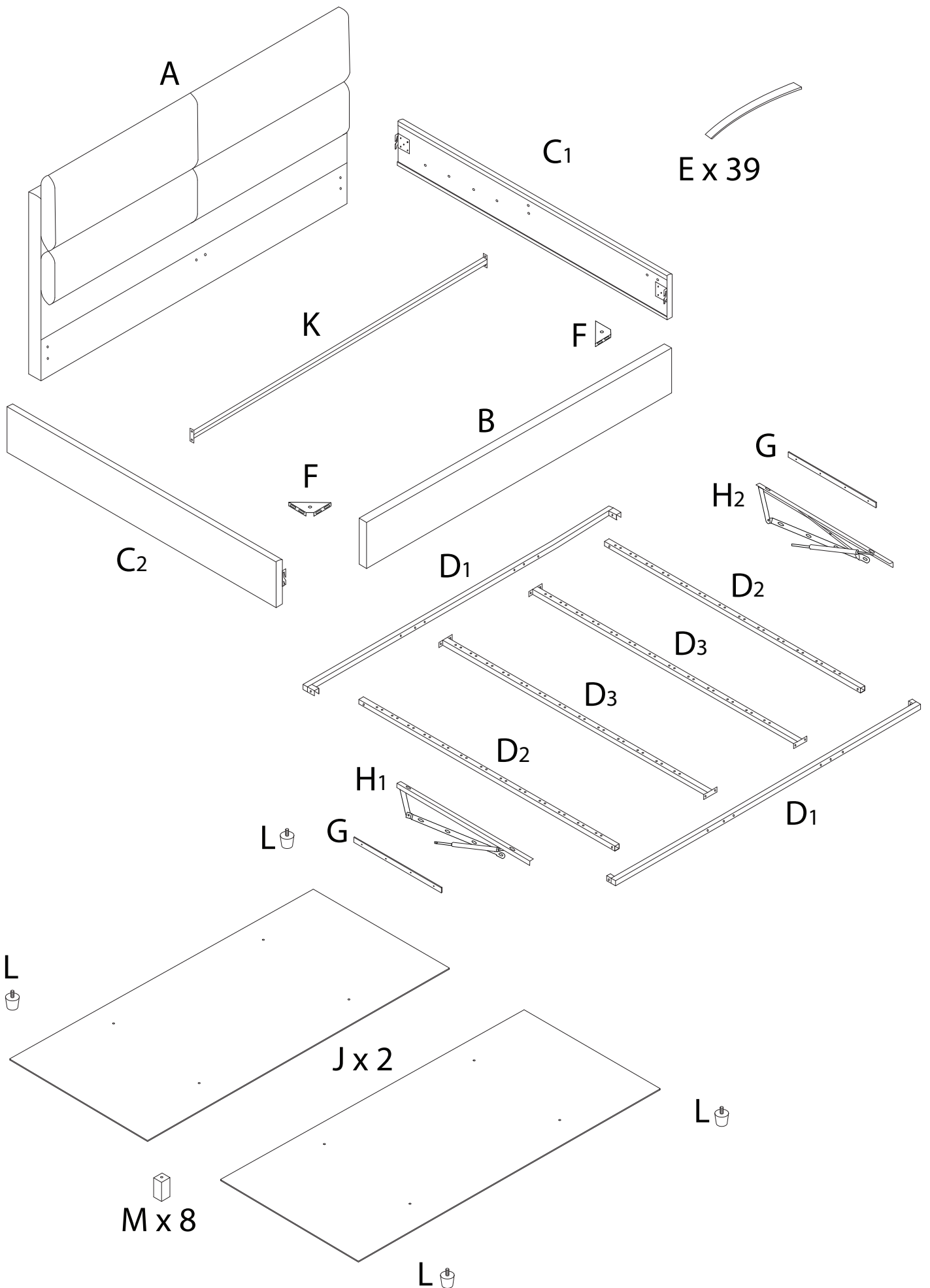
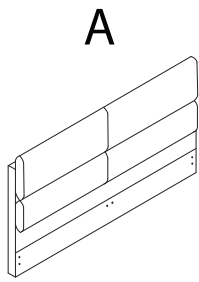
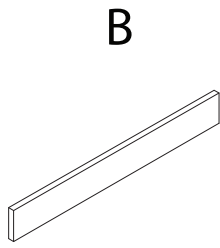


|                                                                                     |                                                                                     |                                                                                       |
|-------------------------------------------------------------------------------------|-------------------------------------------------------------------------------------|---------------------------------------------------------------------------------------|
|  |  |  |
|                                                                                     |                                                                                     | <p>60'</p>                                                                            |
|  |  |  |
|                                                                                     |                                                                                     | <p>2</p>                                                                              |

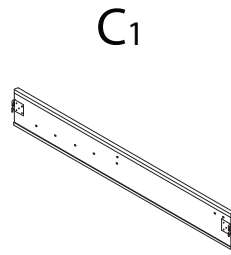




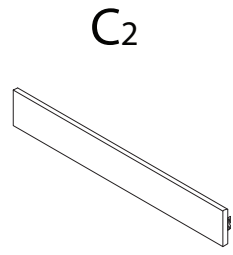
x 1



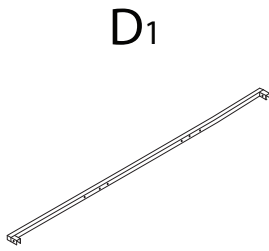
x 1



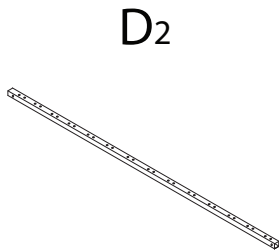
x 1



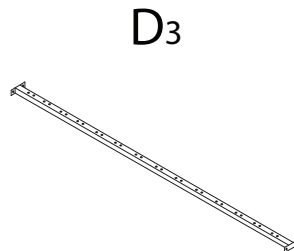
x 1



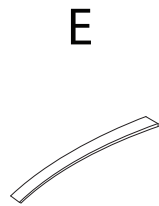
x 2



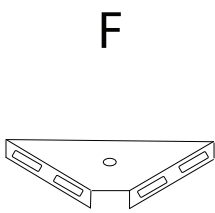
x 2



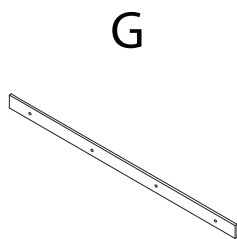
x 2



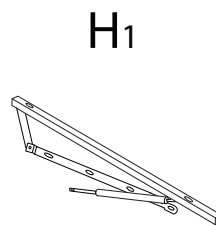
x 39



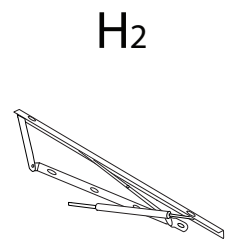
x 2



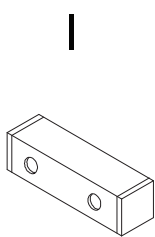
x 2



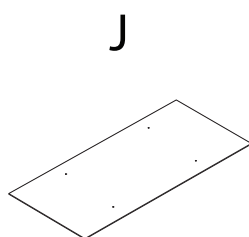
x 1



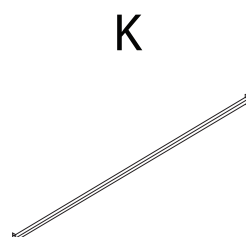
x 1



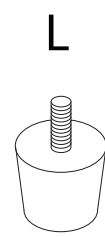
x 2



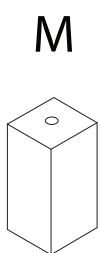
x 2



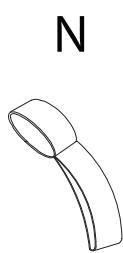
x 1



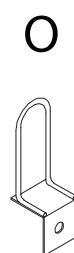
x 4



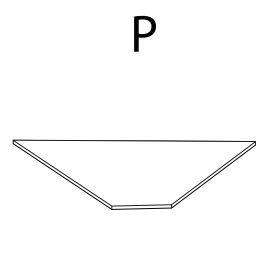
x 8



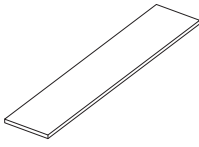
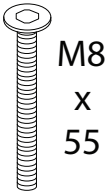
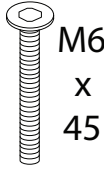
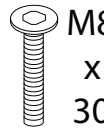
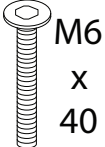

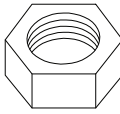
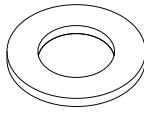
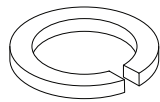

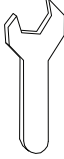
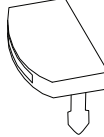
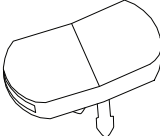

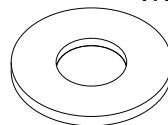
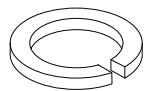
x 1



x 2

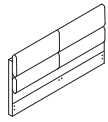


x 2

|                                                                                                                              |                                                                                                                               |                                                                                                                                |                                                                                                                                 |
|------------------------------------------------------------------------------------------------------------------------------|-------------------------------------------------------------------------------------------------------------------------------|--------------------------------------------------------------------------------------------------------------------------------|---------------------------------------------------------------------------------------------------------------------------------|
| <p>Q</p>  <p>x 4</p>                        | <p>1</p>  <p>M8<br/>x<br/>55</p> <p>x 4</p>  | <p>2</p>  <p>M6<br/>x<br/>45</p> <p>x 18</p> | <p>3</p>  <p>M8<br/>x<br/>30</p> <p>x 16</p> |
| <p>4</p>  <p>M6<br/>x<br/>40</p> <p>x 8</p> | <p>5</p>  <p>M8<br/>x<br/>20</p> <p>x 12</p> | <p>6</p>  <p>x 18</p>                        | <p>7</p>  <p>M8</p> <p>x 38</p>              |
| <p>8</p>  <p>M8</p> <p>x 30</p>           | <p>9</p>  <p>M8</p> <p>x 1</p>             | <p>10</p>  <p>x 1</p>                       | <p>11</p>  <p>x 26</p>                     |
| <p>12</p>  <p>x 26</p>                    | <p>13</p>  <p>M6</p> <p>x 1</p>            | <p>14</p>  <p>M6</p> <p>x 20</p>           | <p>15</p>  <p>M6</p> <p>x 20</p>           |

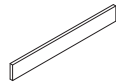
1

A



x1

B

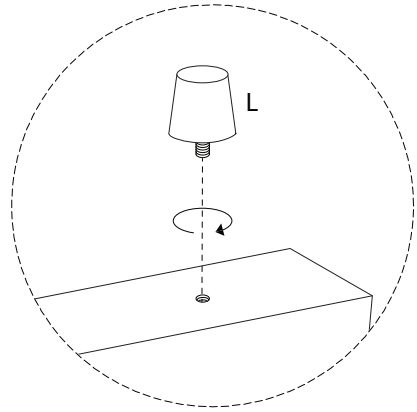
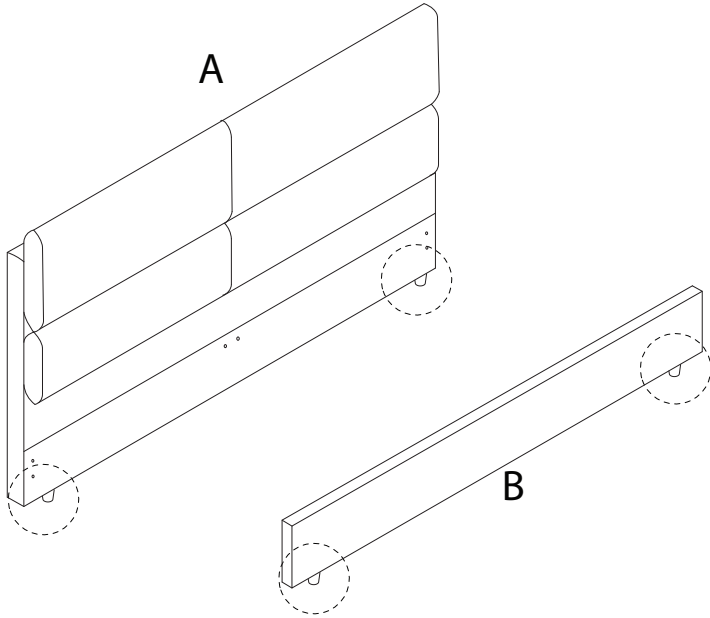


x1

L

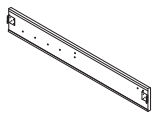


x4



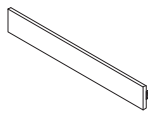
2

C<sub>1</sub>



x1

C<sub>2</sub>



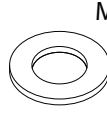
x1

3



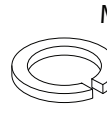
x8

7



x8

8

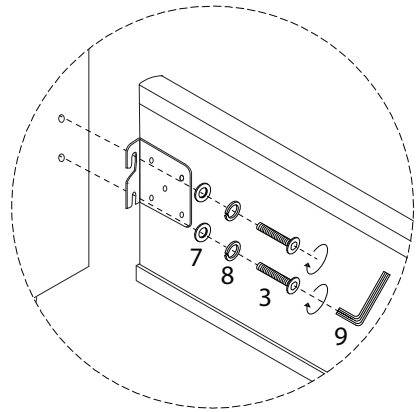
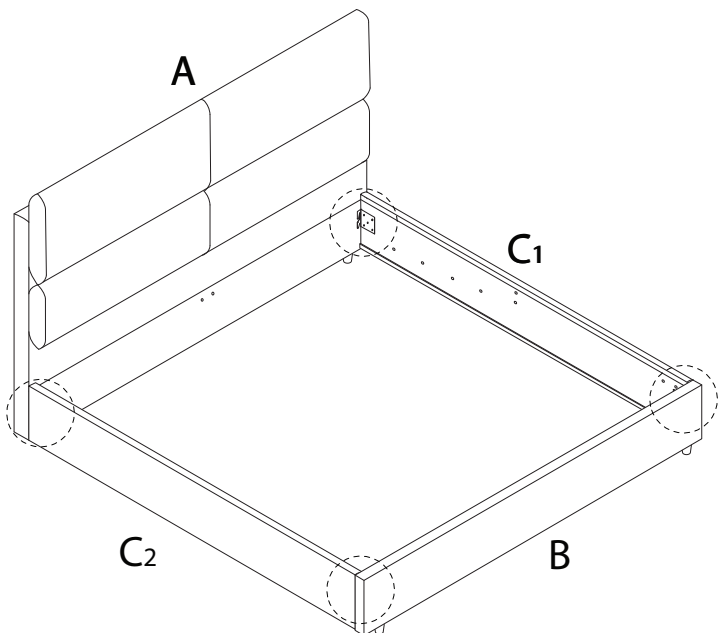


x8

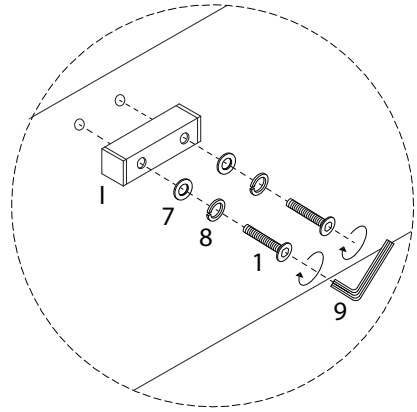
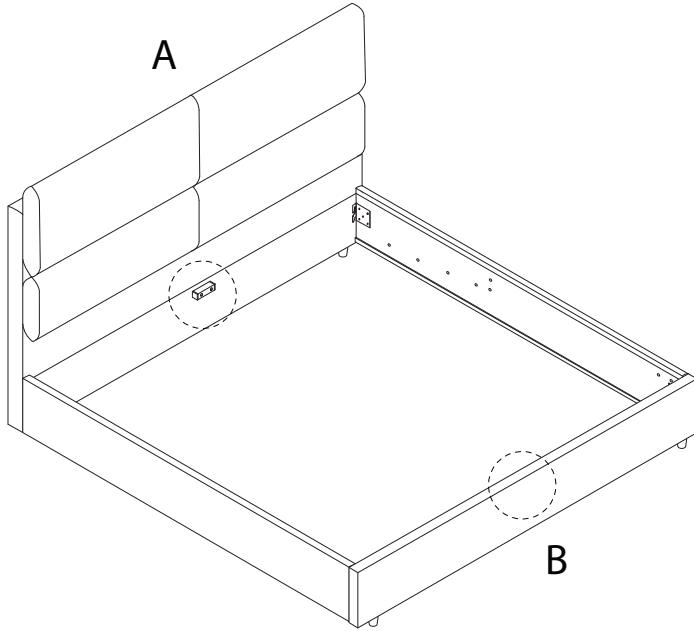
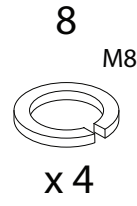
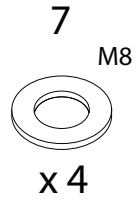
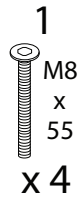
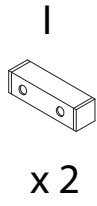
9



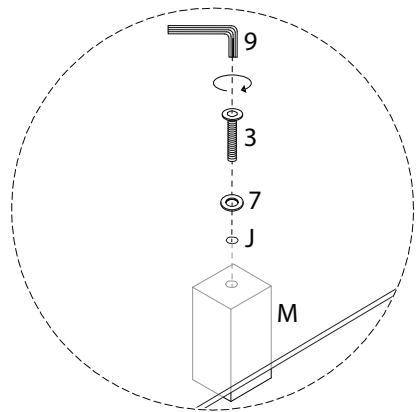
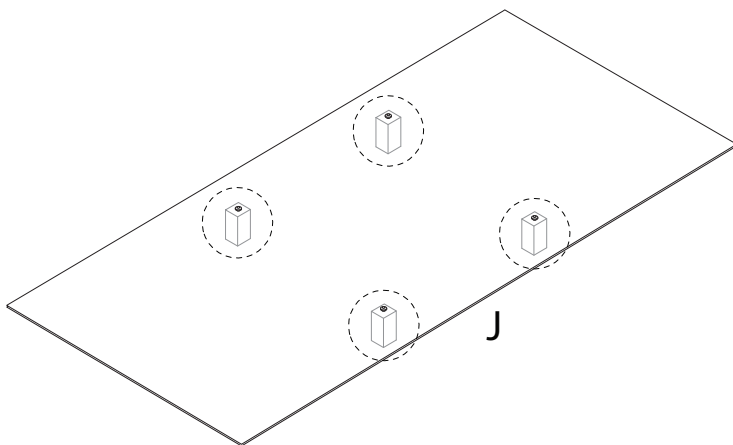
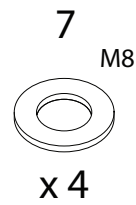
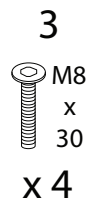
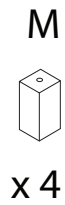
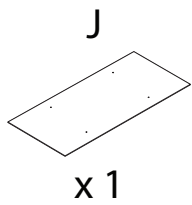
x1



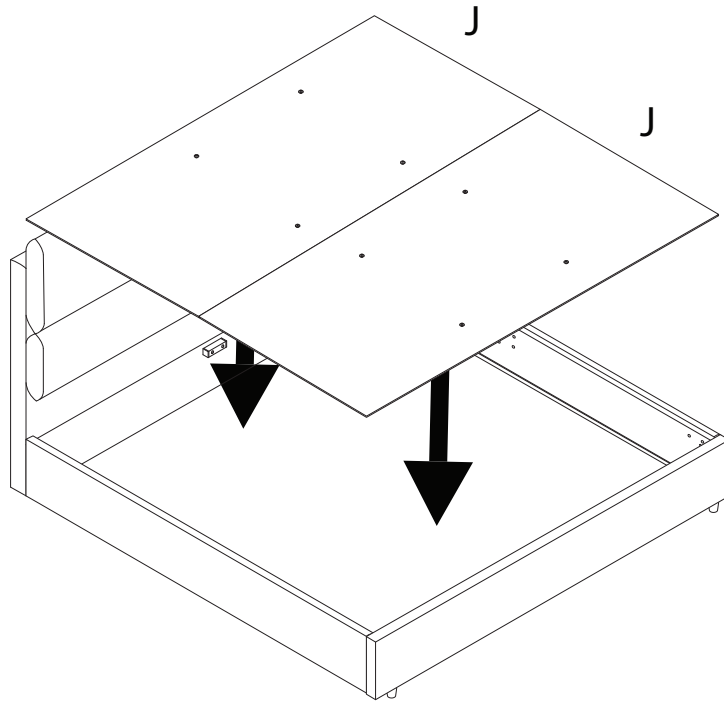
3



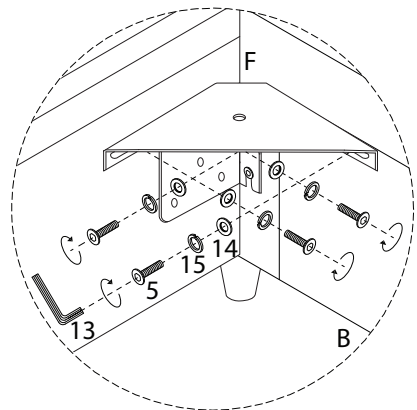
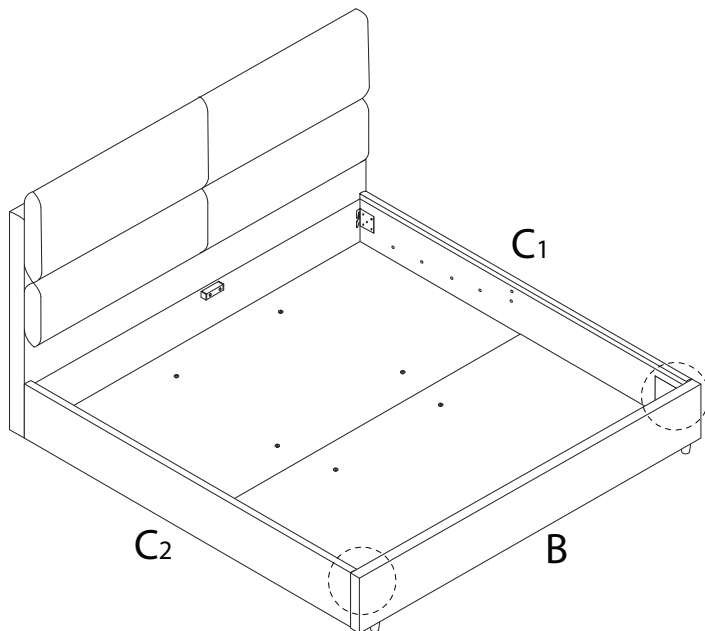
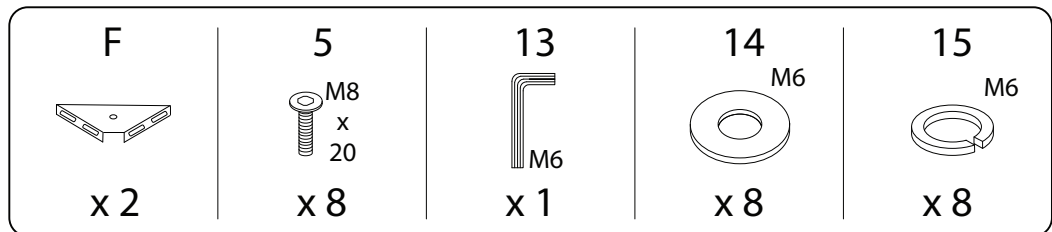
4 x 2







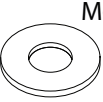
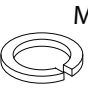
5

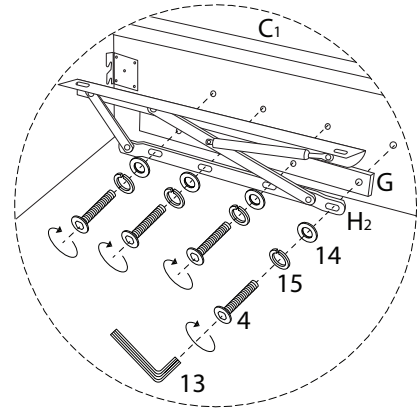
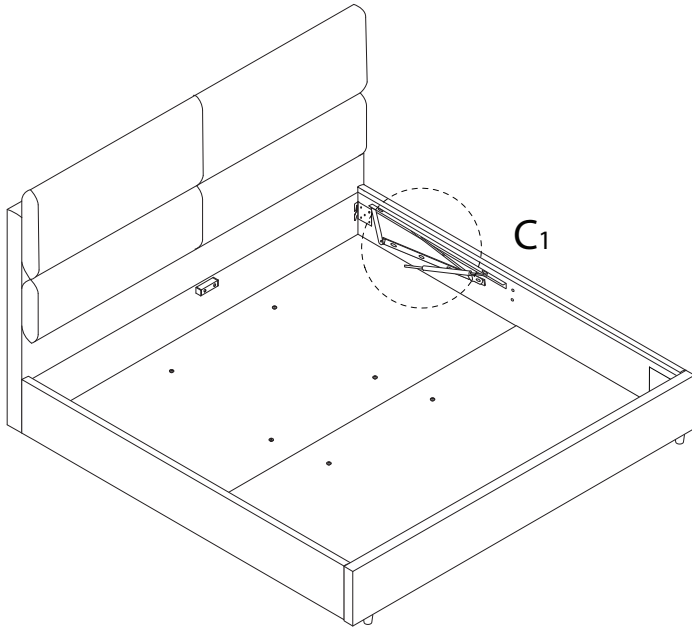


6





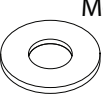
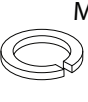


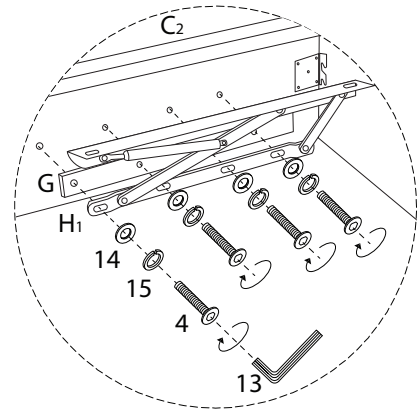
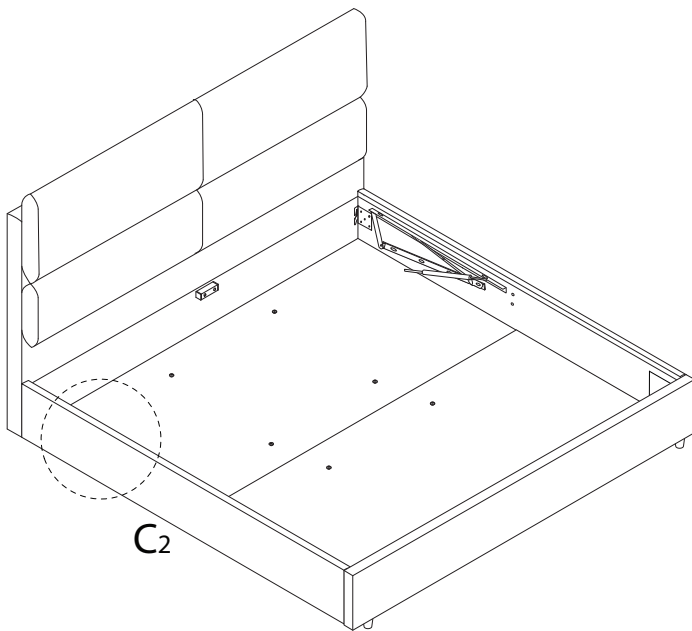
7

|                                                                                                                  |                                                                                                      |                                                                                                                    |                                                                                                              |                                                                                                               |                                                                                                               |
|------------------------------------------------------------------------------------------------------------------|------------------------------------------------------------------------------------------------------|--------------------------------------------------------------------------------------------------------------------|--------------------------------------------------------------------------------------------------------------|---------------------------------------------------------------------------------------------------------------|---------------------------------------------------------------------------------------------------------------|
| <b>H<sub>2</sub></b><br><br>x 1 | <b>G</b><br><br>x 1 | <b>4</b><br><br>M6<br>x 40<br>x 8 | <b>13</b><br><br>M6<br>x 1 | <b>14</b><br><br>M6<br>x 8 | <b>15</b><br><br>M6<br>x 8 |
|------------------------------------------------------------------------------------------------------------------|------------------------------------------------------------------------------------------------------|--------------------------------------------------------------------------------------------------------------------|--------------------------------------------------------------------------------------------------------------|---------------------------------------------------------------------------------------------------------------|---------------------------------------------------------------------------------------------------------------|

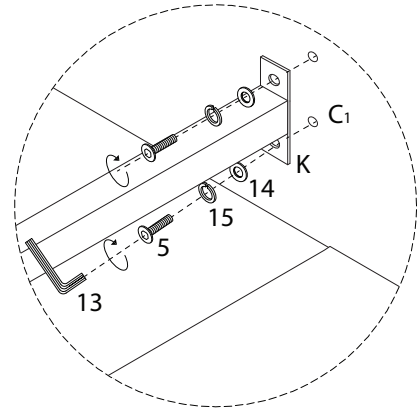
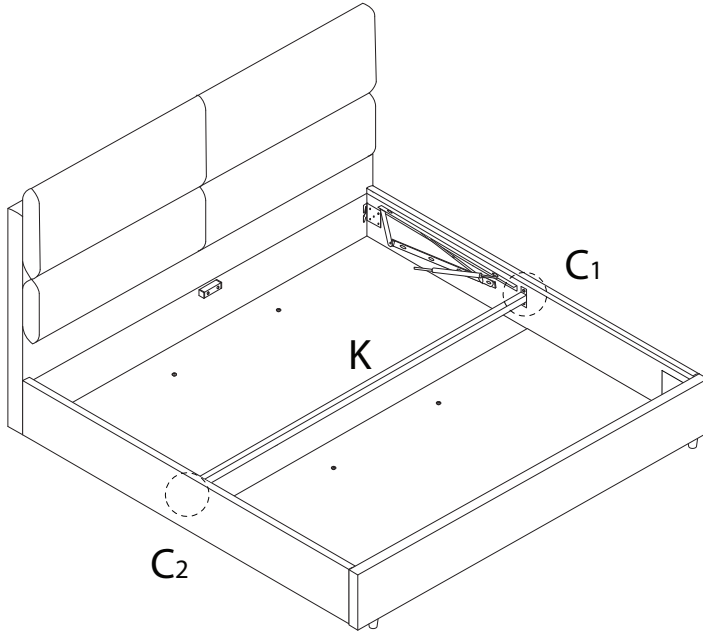
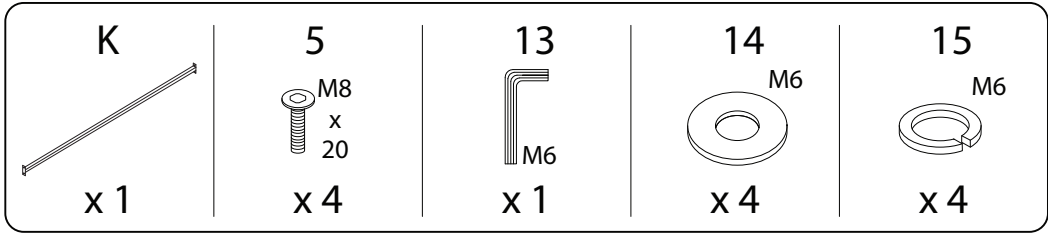


8

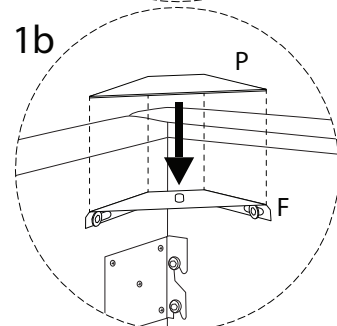
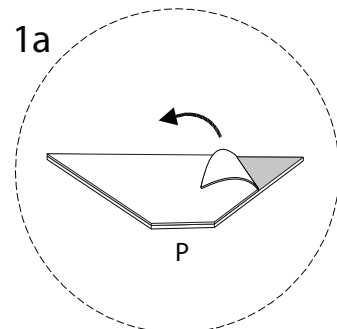
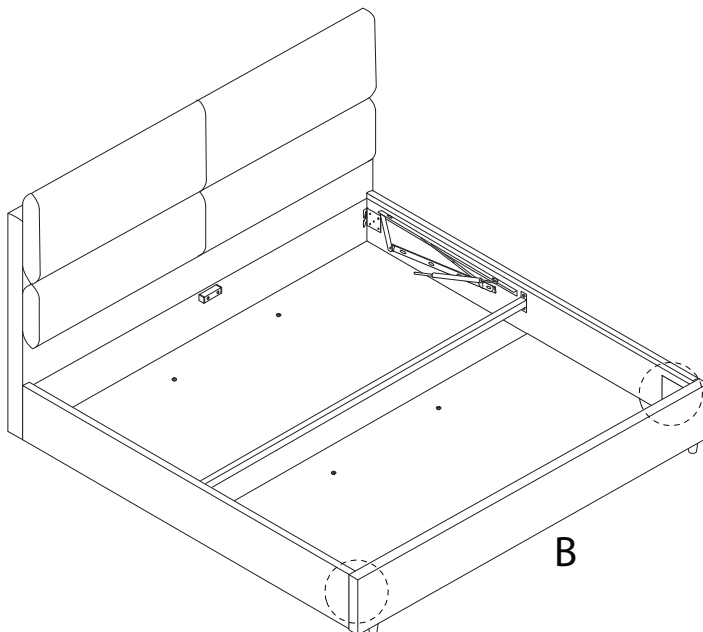
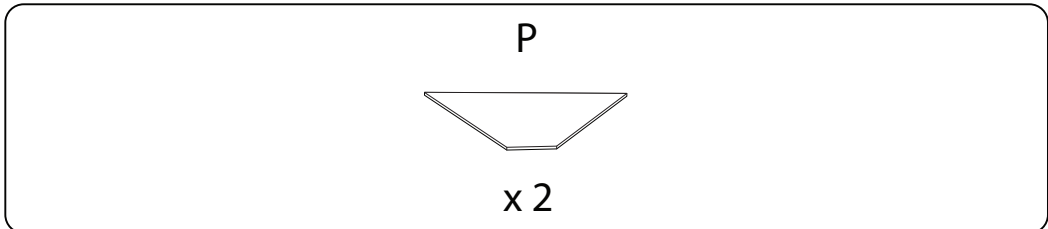
|                                                                                                                    |                                                                                                        |                                                                                                                      |                                                                                                                |                                                                                                                 |                                                                                                                 |
|--------------------------------------------------------------------------------------------------------------------|--------------------------------------------------------------------------------------------------------|----------------------------------------------------------------------------------------------------------------------|----------------------------------------------------------------------------------------------------------------|-----------------------------------------------------------------------------------------------------------------|-----------------------------------------------------------------------------------------------------------------|
| <b>H<sub>1</sub></b><br><br>x 1 | <b>G</b><br><br>x 1 | <b>4</b><br><br>M6<br>x 40<br>x 8 | <b>13</b><br><br>M6<br>x 8 | <b>14</b><br><br>M6<br>x 8 | <b>15</b><br><br>M6<br>x 1 |
|--------------------------------------------------------------------------------------------------------------------|--------------------------------------------------------------------------------------------------------|----------------------------------------------------------------------------------------------------------------------|----------------------------------------------------------------------------------------------------------------|-----------------------------------------------------------------------------------------------------------------|-----------------------------------------------------------------------------------------------------------------|



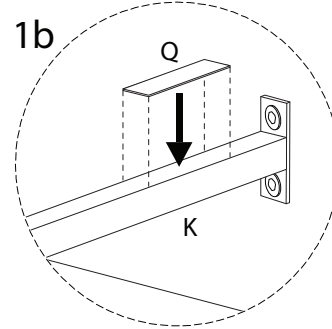
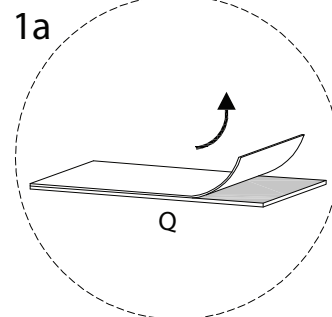
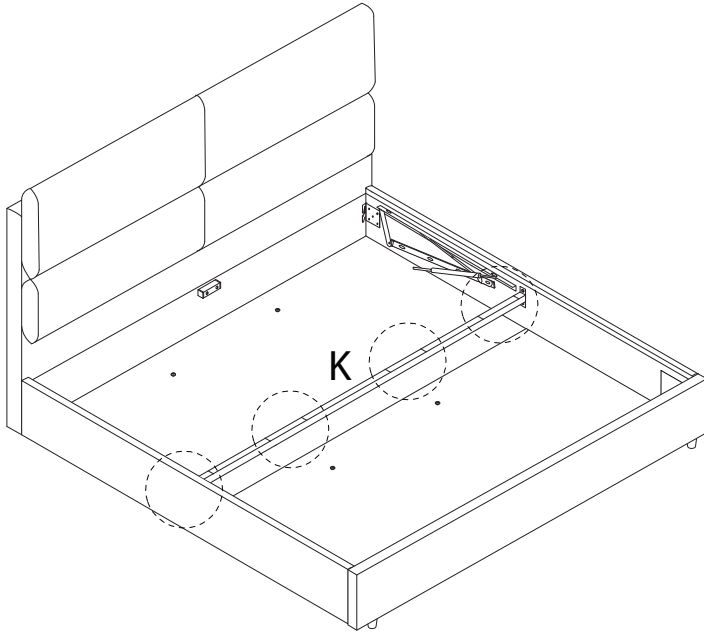
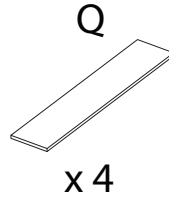
9



10

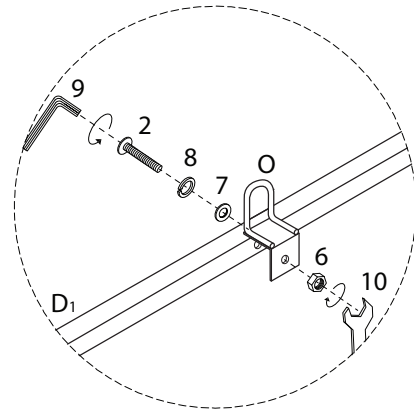
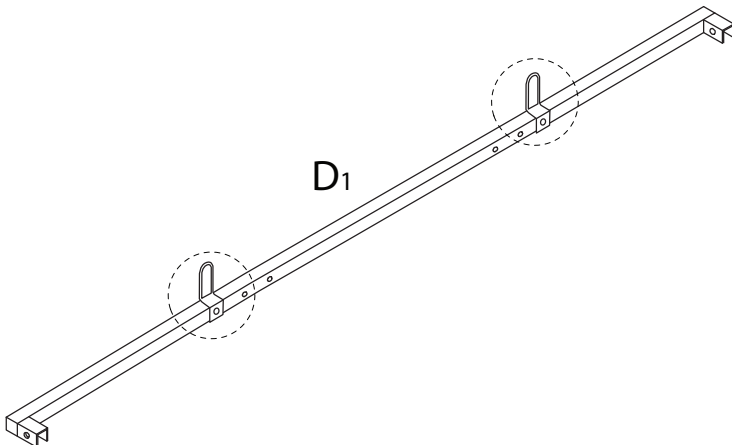


11

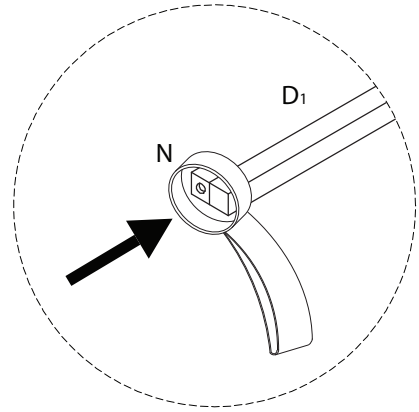
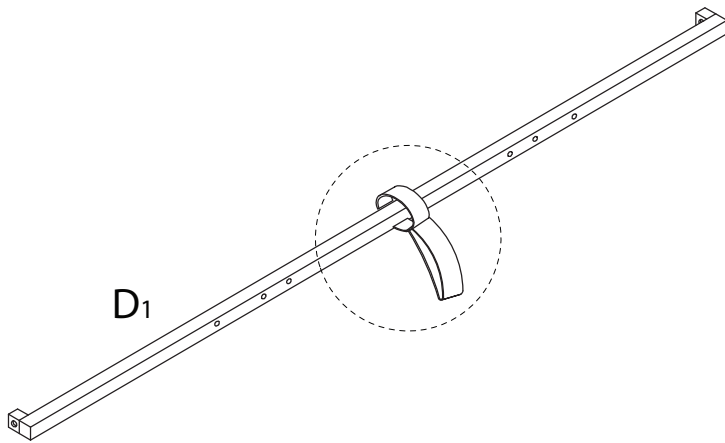
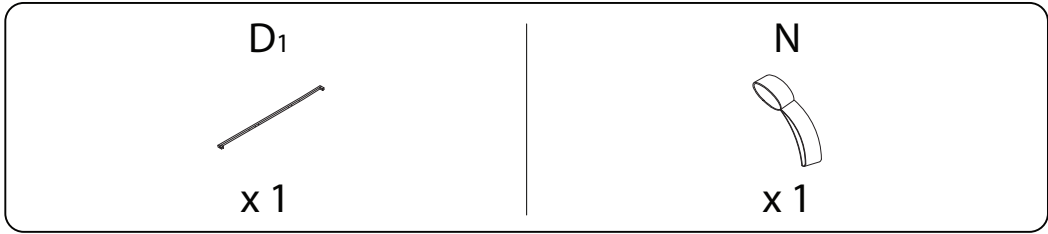


12

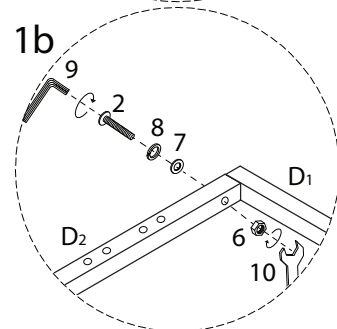
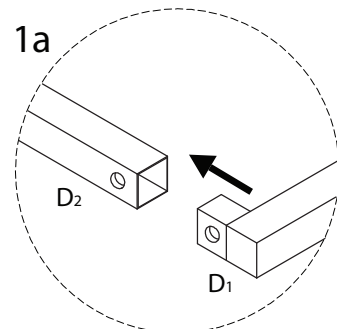
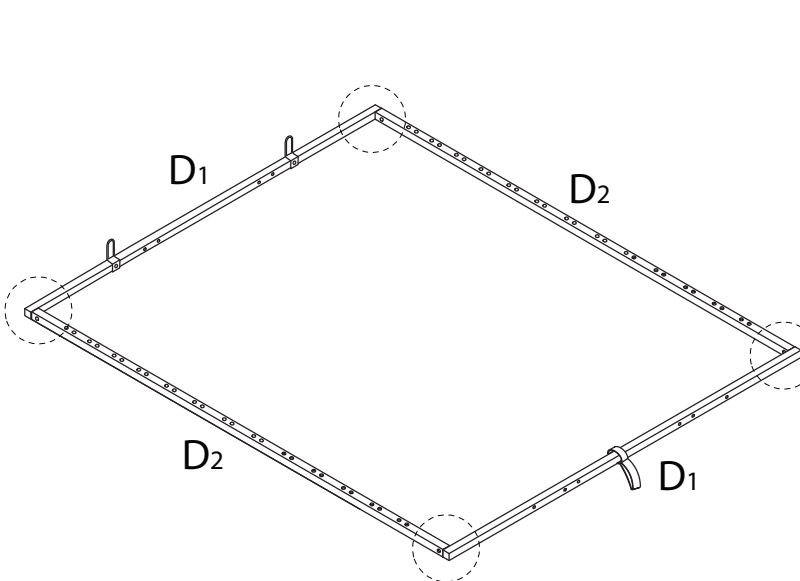
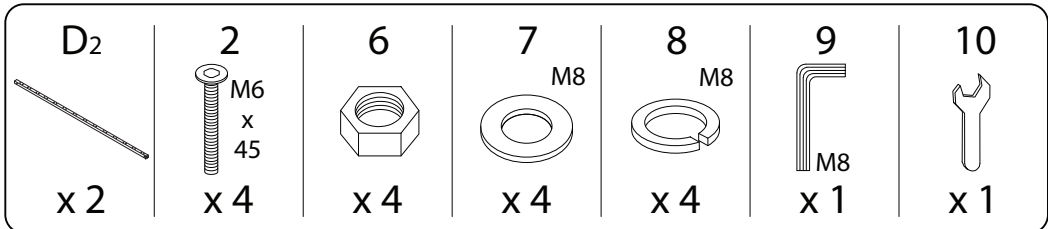
|                |     |     |     |     |     |     |     |
|----------------|-----|-----|-----|-----|-----|-----|-----|
| D <sub>1</sub> | O   | 2   | 6   | 7   | 8   | 9   | 10  |
|                |     |     |     |     |     |     |     |
| x 1            | x 2 | x 2 | x 2 | x 2 | x 2 | x 1 | x 1 |




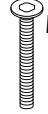
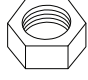
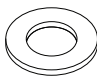
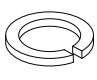


13

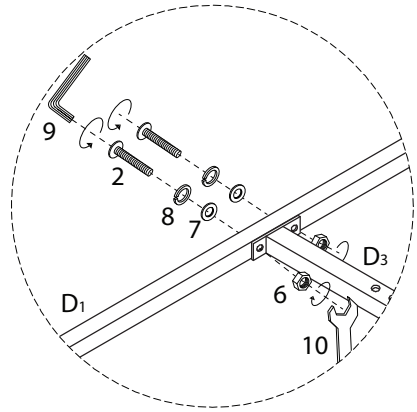
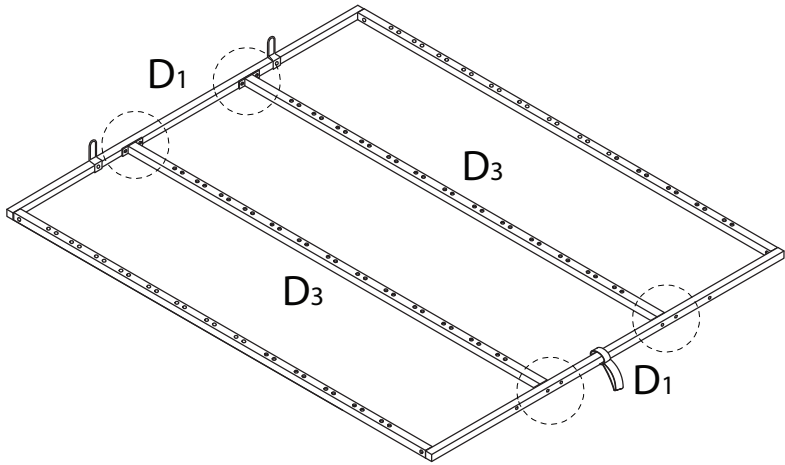


14


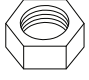
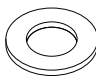
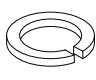




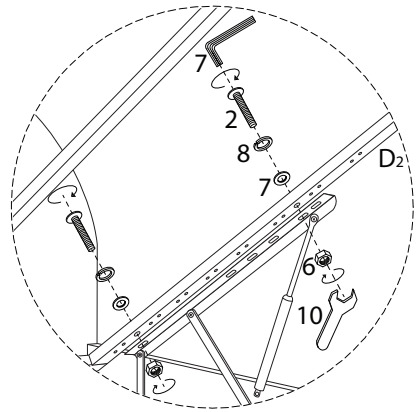
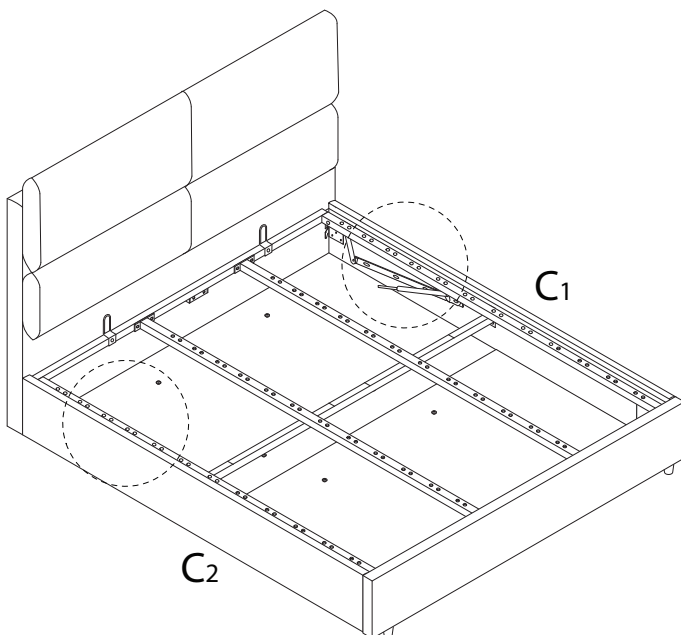
15

|                                                                                                |                                                                                                                |                                                                                               |                                                                                                     |                                                                                                      |                                                                                                       |                                                                                                  |
|------------------------------------------------------------------------------------------------|----------------------------------------------------------------------------------------------------------------|-----------------------------------------------------------------------------------------------|-----------------------------------------------------------------------------------------------------|------------------------------------------------------------------------------------------------------|-------------------------------------------------------------------------------------------------------|--------------------------------------------------------------------------------------------------|
| D3<br><br>x 1 | 2<br>M6<br>x<br>45<br><br>x 8 | 6<br><br>x 8 | 7<br>M8<br><br>x 8 | 8<br>M8<br><br>x 8 | 9<br>M8<br><br>x 1 | 10<br><br>x 1 |
|------------------------------------------------------------------------------------------------|----------------------------------------------------------------------------------------------------------------|-----------------------------------------------------------------------------------------------|-----------------------------------------------------------------------------------------------------|------------------------------------------------------------------------------------------------------|-------------------------------------------------------------------------------------------------------|--------------------------------------------------------------------------------------------------|

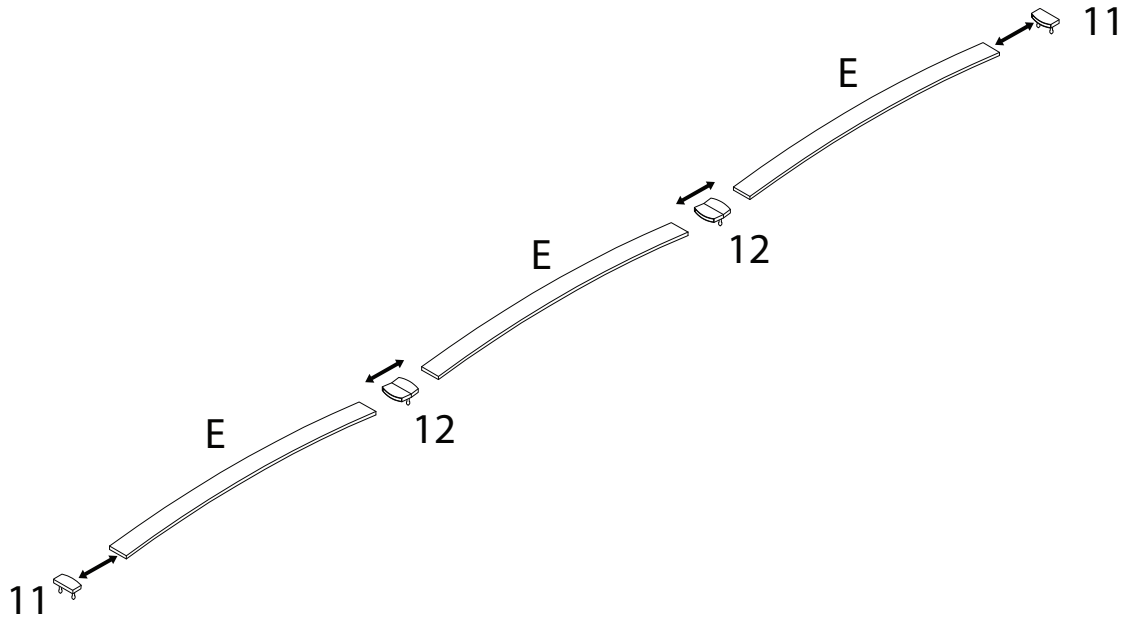
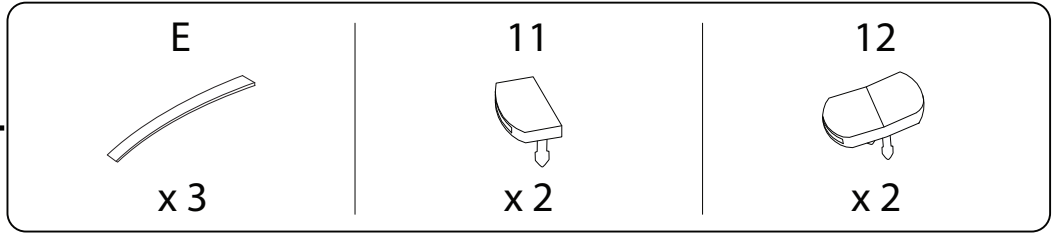


16

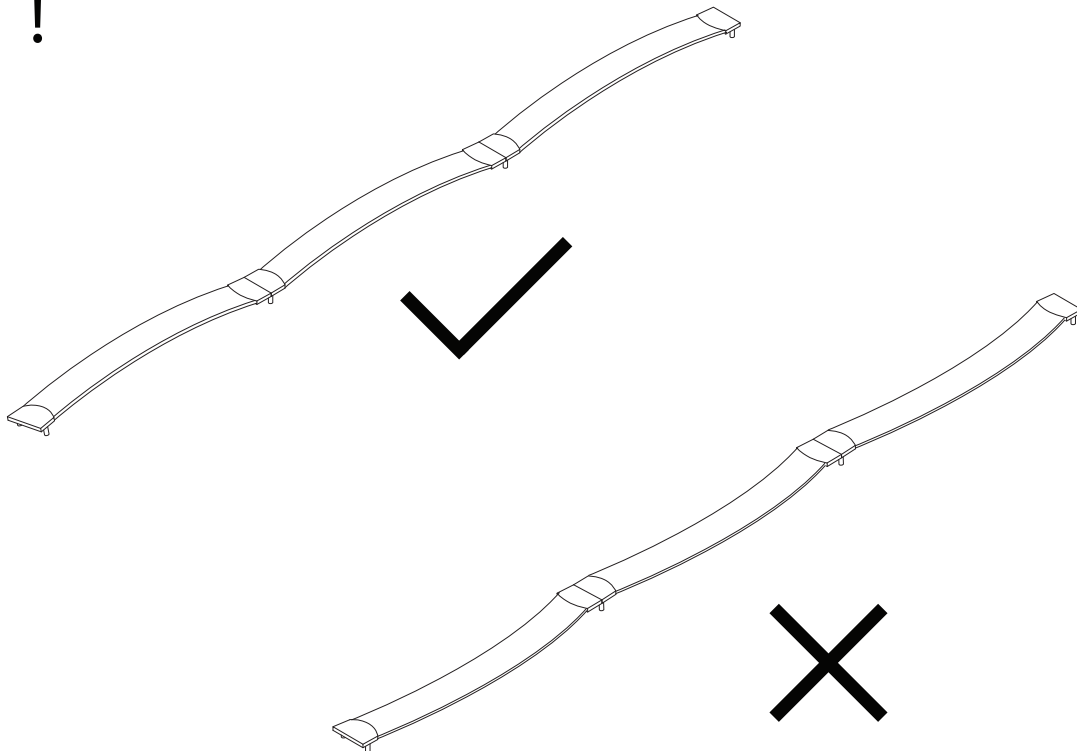
|                                                                                                                  |                                                                                                 |                                                                                                       |                                                                                                        |                                                                                                         |                                                                                                    |
|------------------------------------------------------------------------------------------------------------------|-------------------------------------------------------------------------------------------------|-------------------------------------------------------------------------------------------------------|--------------------------------------------------------------------------------------------------------|---------------------------------------------------------------------------------------------------------|----------------------------------------------------------------------------------------------------|
| 2<br>M6<br>x<br>45<br><br>x 4 | 6<br><br>x 4 | 7<br>M8<br><br>x 4 | 8<br>M8<br><br>x 4 | 9<br>M8<br><br>x 1 | 10<br><br>x 1 |
|------------------------------------------------------------------------------------------------------------------|-------------------------------------------------------------------------------------------------|-------------------------------------------------------------------------------------------------------|--------------------------------------------------------------------------------------------------------|---------------------------------------------------------------------------------------------------------|----------------------------------------------------------------------------------------------------|



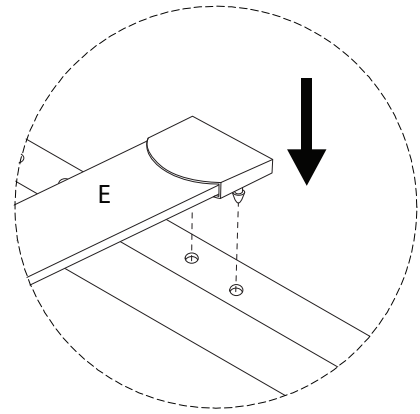
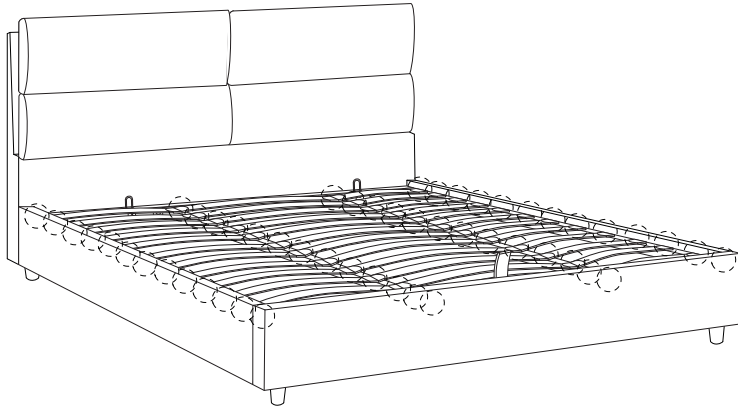
17 x 14



!



18



19

