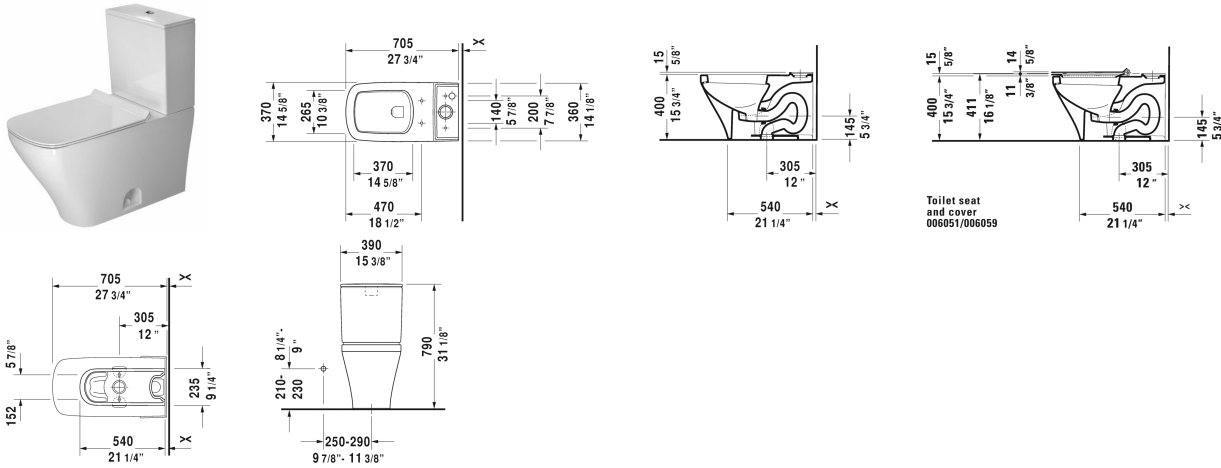


DuraStyle Two-Piece toilet # 216001..00 / 216001..00 / 216001..85 / 216001..85

| < 14 1/8" Inch > |



Two-Piece toilet	Dimension	Weight	Order number
(without tank), syphonic, 12" rough-in, vertical outlet, cUPC® listed*, WaterSense® listed			
Colors			
00 White 20 HygieneGlaze (an antibacterial ceramic glaze that provides almost indefinite effectiveness)			
Variant			
♣ 1.32/0.92 gpf	14 1/8" x 27 1/2" Inch	92 lb	216001..00
♣ 1.32/0.92 gpf	14 1/8" x 27 1/2" Inch	92 lb	216001..00
♣ 1.28 gpf	14 1/8" x 27 1/2" Inch	92 lb	216001..85
♣ 1.28 gpf	14 1/8" x 27 1/2" Inch	92 lb	216001..85
Infobox			
* Complies with following standards: ASME A112.19.2/CSA B45.1			
Sanitary ceramics with the special WonderGliss surface finish will remain clean and attractive-looking for a long time to come. When ordering WonderGliss please add a "1" as eleventh digit to the model number.			
Mounting set for One-Piece and Two-Piece toilets, outlet 3/8" - male thread, wall connection 1/2" - female thread, 1/2", North American version	17 3/4" Inch	1.1 lb	001417
Suitable products			

**DuraStyle Two-Piece toilet # 216001..00 / 216001..00 /
216001..85 / 216001..85**

|< 14 1/8" Inch >|

Toilet seat and cover removable, elongated, hinges stainless steel, without slow close,		006051
Toilet seat and cover removable, elongated, hinges stainless steel, with slow close,		006059
Tank for bottom left supply, cUPC® listed*, WaterSense® listed, 15 3/8" x 6 3/4" Inch	15 3/8" x 6 3/4" Inch	093520

All drawings contain the necessary measurements which are subject to standard tolerances. They are stated in inch & mm and are non-binding. Exact measurements, in particular for customized installation scenarios, can only be taken from the finished ceramic piece.