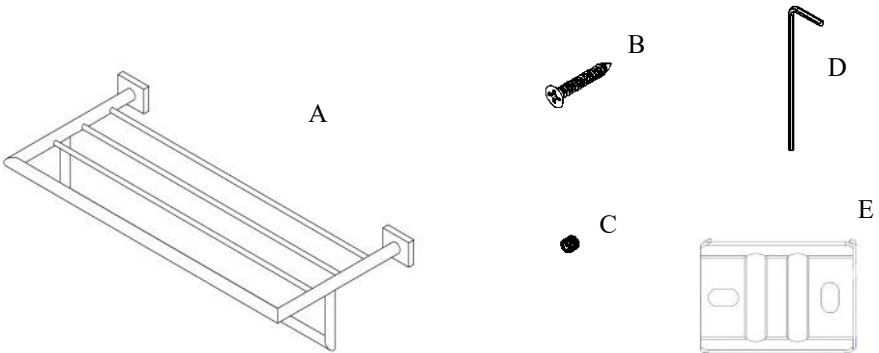


Crater Towel Shelf With Bar Installation Guide



Parts Included	QTY
A - Shelf w/ Bar	1
B - Screw	4
C - Set Screw	2
D - Allen Key	1
E - Bracket	2

Description	Finish	Weight (lb)	WxHxD (mm)	WxHxD (Inches)	Metal Type
Crater Towel Shelf With Bar	Chrome	2.2	616 x 138 x 271	24.25 x 5.5 x 10.75	Brass
Crater Towel Shelf With Bar	Brushed Nickel	2.2	616 x 138 x 271	24.25 x 5.5 x 10.75	Brass
Crater Towel Shelf With Bar	Matte Black	2.2	616 x 138 x 271	24.25 x 5.5 x 10.75	Brass

Warranty: 2 Years

Care & Maintenance: A periodic wash using warm water and a soft cloth will retain the high quality finish of your product for many years to come. ON NO ACCOUNT should any household bleaches, detergents, abrasive polishes, steel wool or other cleaning agents be used on this item.

