

ASSEMBLY INSTRUCTIONS

Oak Dining Chair

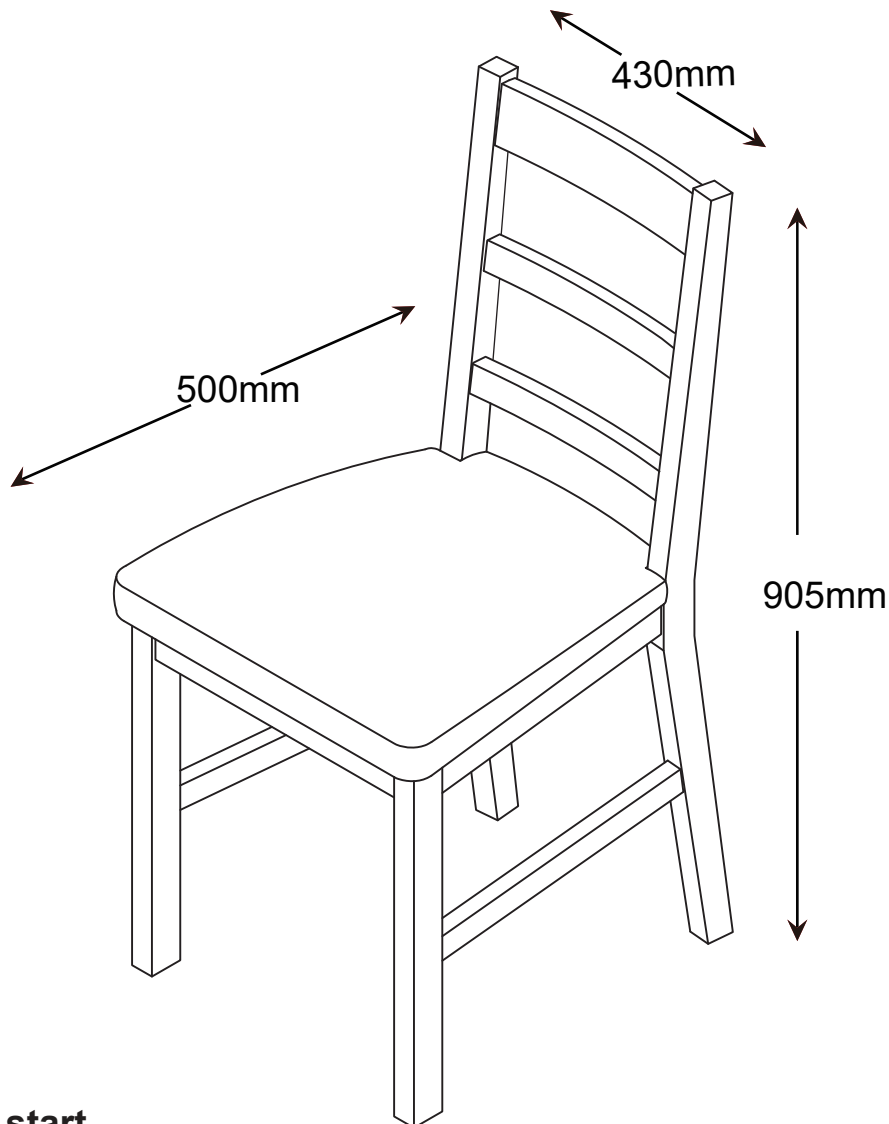
Approximate Assembly Time



People Required to Assemble



Tools Required

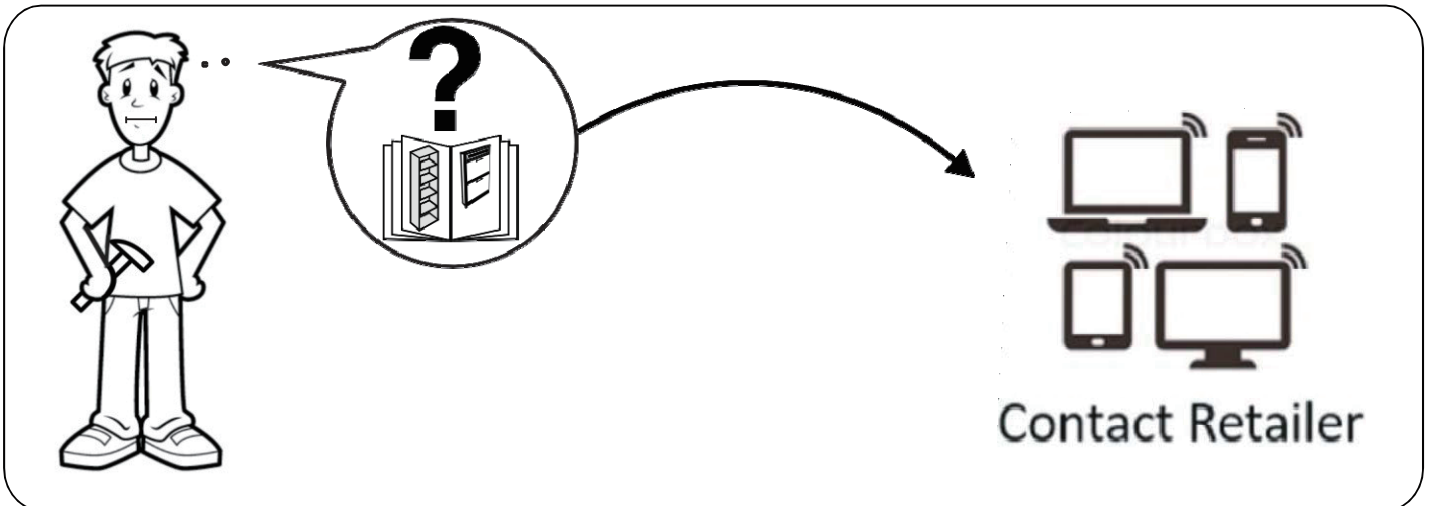
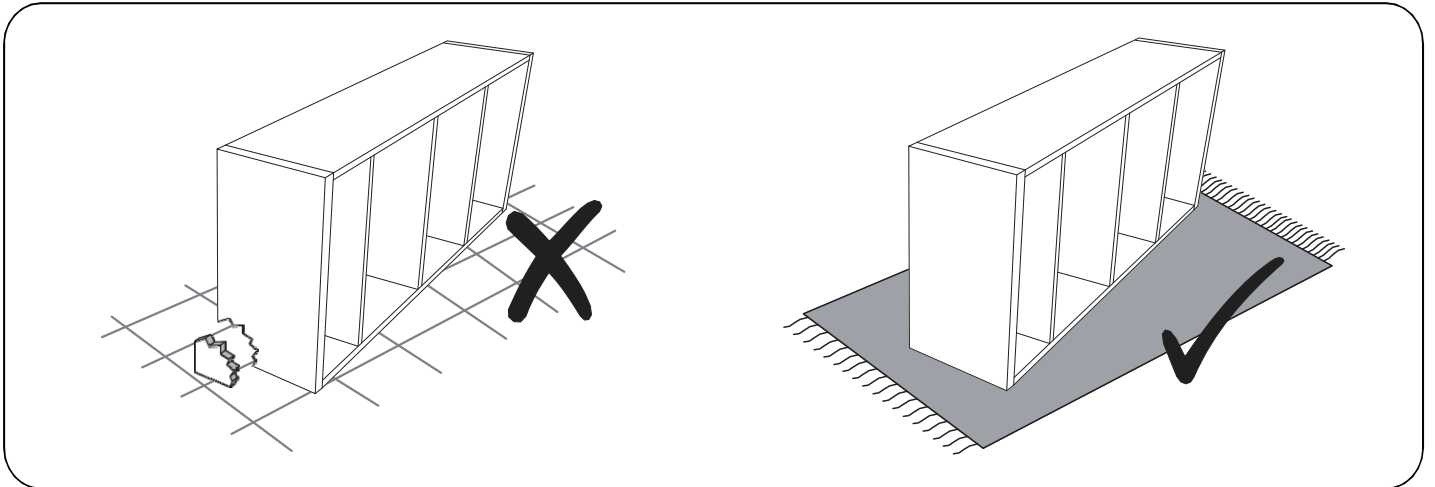
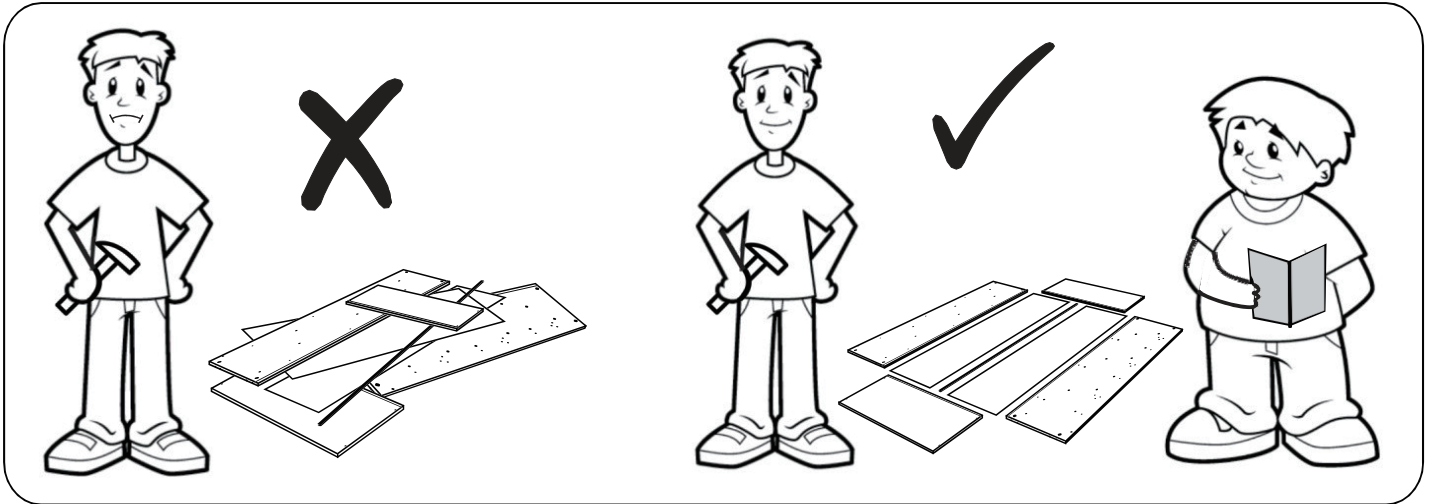
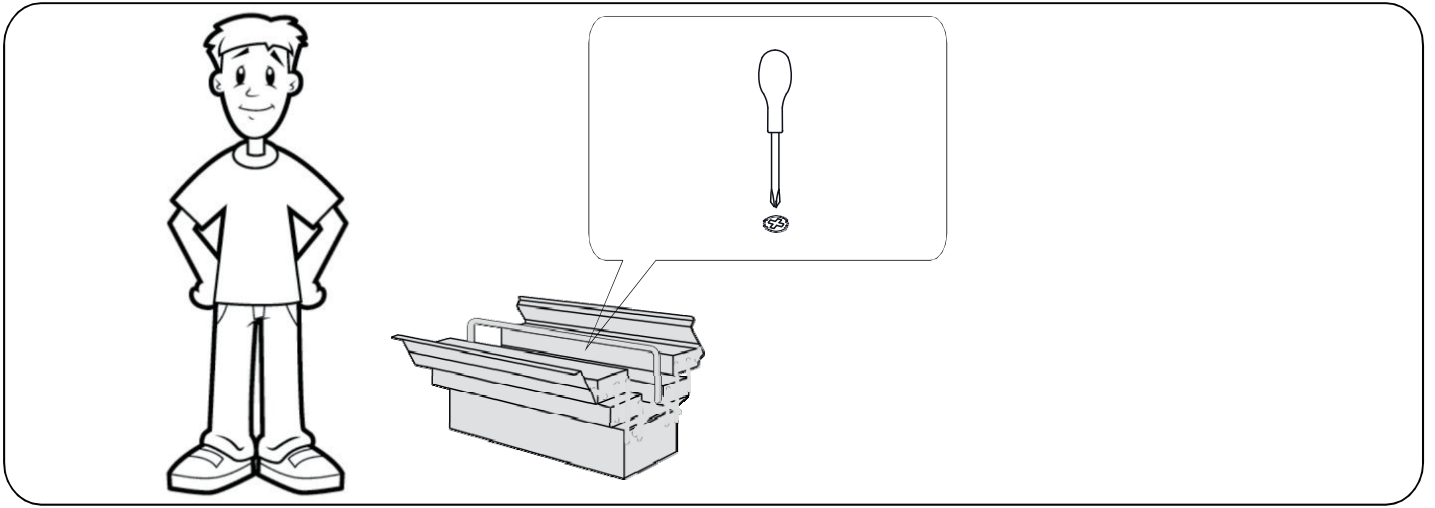


Before you start...

Please carefully unpack and lay out all of the component parts to ensure nothing is missing and to check each component for any obvious damage.

Should you identify any concerns at this stage please contact the retailer from whom this product was purchased. Please quote your order number, details of your issue, the product code, and the batch number from the cartons which will help to resolve your issue as quickly as possible.

Version Number-1.0



Please check all hardware matches the list below. Should you notice any are missing please contact your retailer.



A

6.0x70mm

4x

B

22x16mm



4x

C

Ø10x20mm



4x

D

Ø8x30mm



8x

E

32x25x27mm



4x

F

Ø10x16mm



4x

G

Ø4x50mm



4x

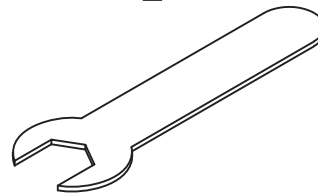
H

Ø3.5x14mm



8x

I



1x

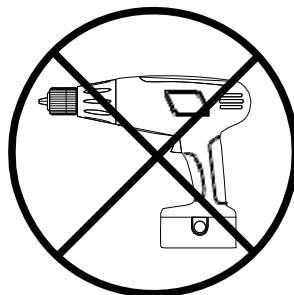
J

Ø25x3mm

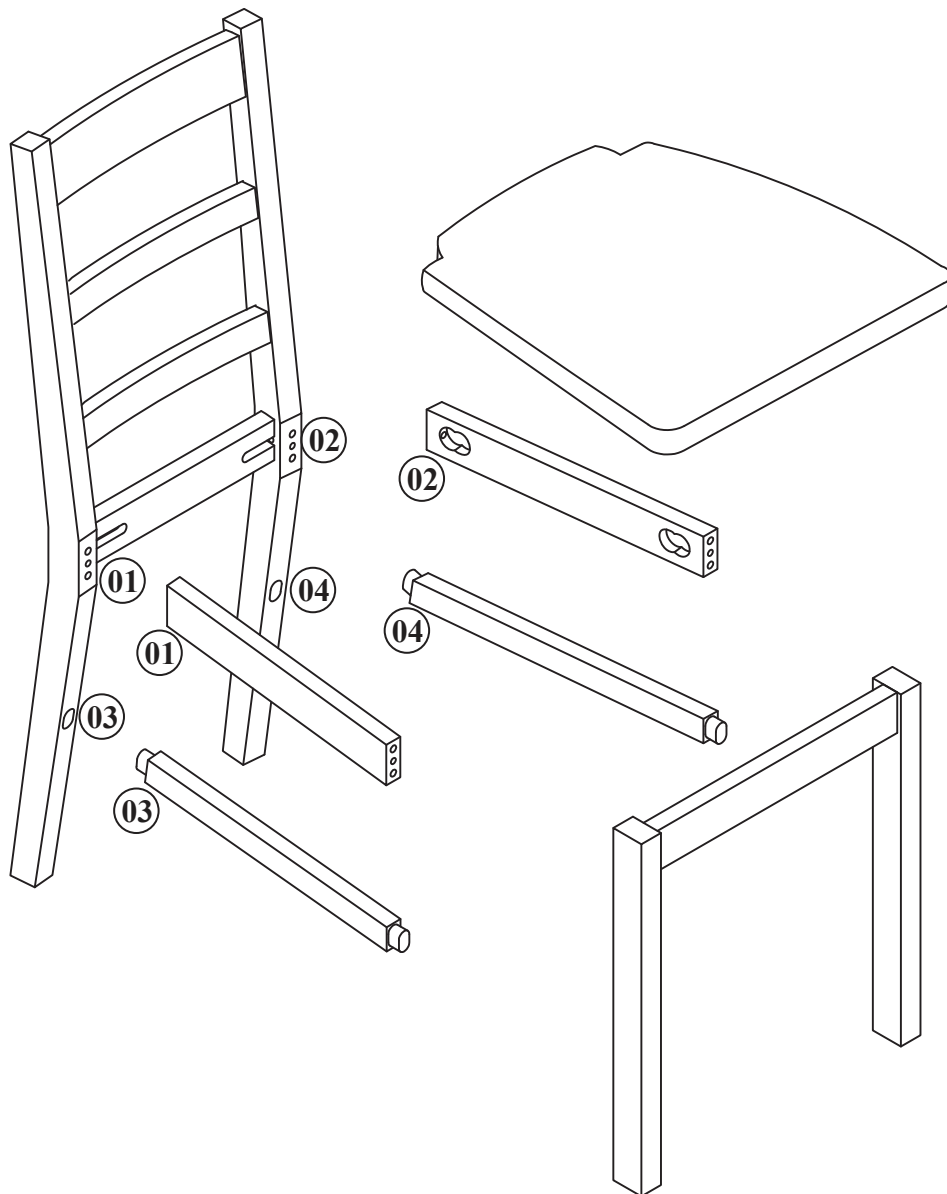


4x

We strongly advise that you do not use Power Tools, such as drills or electric screwdrivers during the assembly as this may cause irreparable damage and will invalidate your warranty.



PARTS



Please ensure you carefully check all the pieces, should you have any concerns please contact the retailer before assembly commences. Please have your order number, details of the issue, the product code, and the batch number from the cartons as this will help us to resolve your issue much faster.

ASSEMBLY ADVICE

Please take the time to carefully read through these instructions before you commence.

Keep these instructions for future reference.

We advise that the product is assembled in the room it is intended for.

We advise that you keep the hardware in a bowl during assembly to avoid losing anything.

We strongly recommend that you keep children away from the work area.

Small component parts could choke a child if swallowed.

We recommend you use a sheet or blanket to protect both floor and product through the assembly stages.

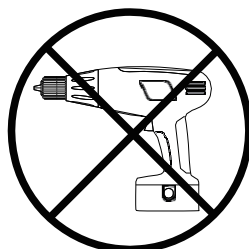
This product is heavy, and we recommend a 2 person lift to avoid personal injury or damage to the product.

Never push or pull the product as this could cause both personal injury or irreparable damage to product or floor.

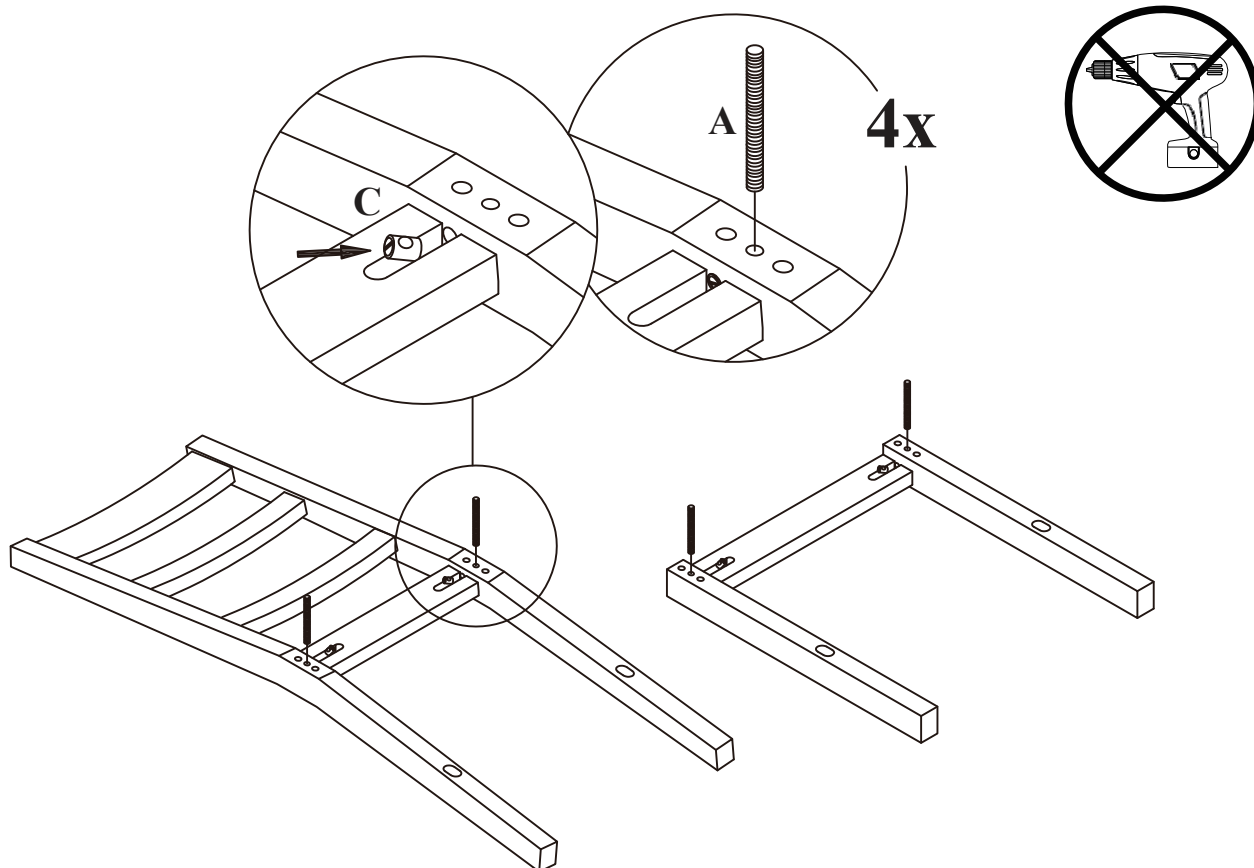
We have tried to make this piece of furniture easy to assemble if the instructions are followed carefully.

In the unlikely event that you have problems with assembling the product or have missing or damaged parts, please contact your retailer and we will assist them in rectifying the problem as quickly as possible.

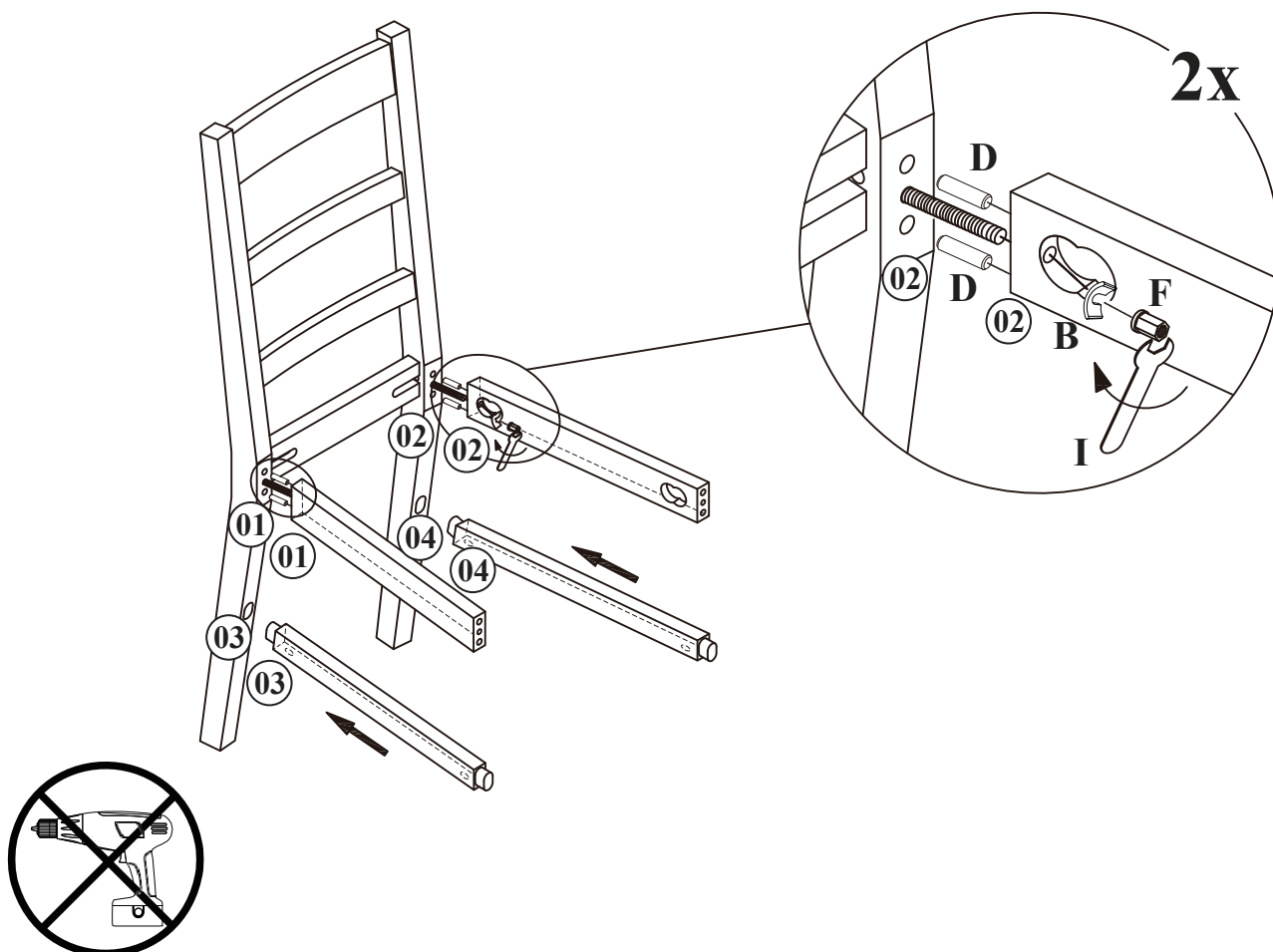
Please remember we strongly urge you DO NOT use power tools such as drill or electric screwdrivers as this could cause irreparable damage to your product and will invalidate your warranty.



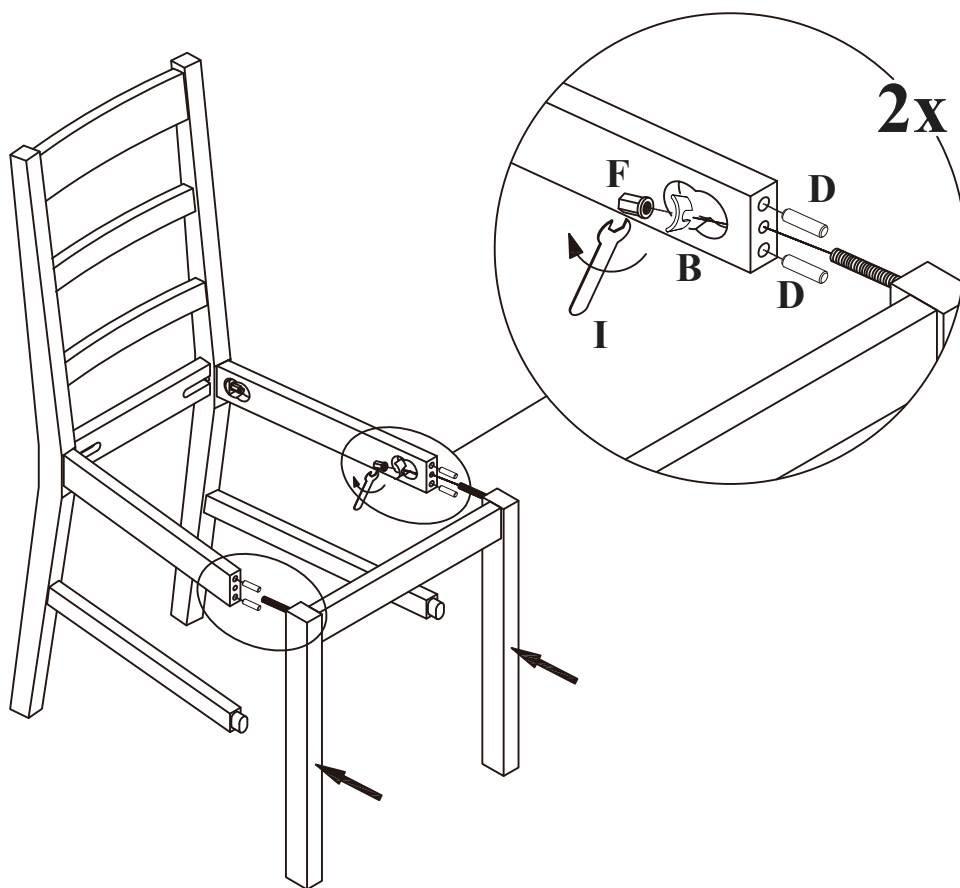
1



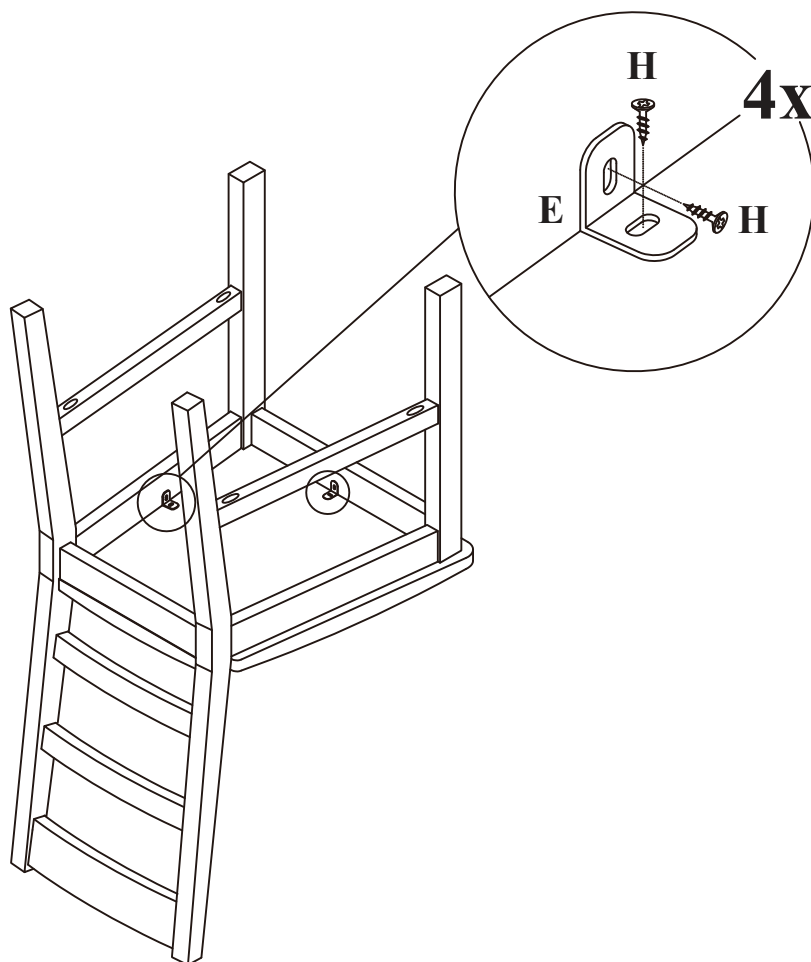
2



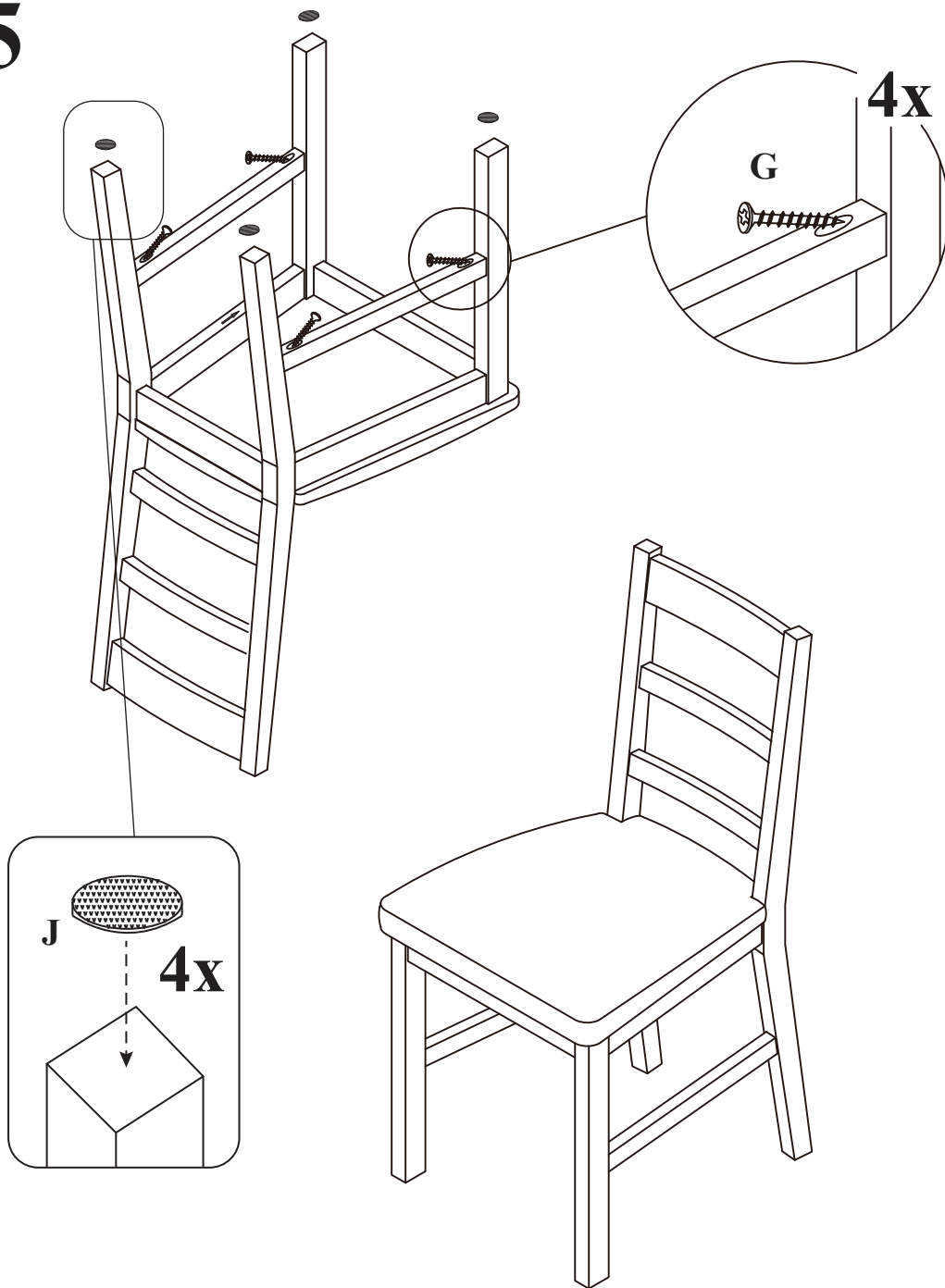
3



4



5



GENERAL CARE & MAINTENANCE

We advise that when cleaning the product that a damp cloth is used.

Avoid the use of all household cleaners and abrasive.

Never push or drag the furniture.

Never attempt to move the furniture when fully loaded.

We advise that periodically all fixing are re-tightened.

CARING FOR YOUR NEW OAK FURNITURE

Your oak furniture is pre-treated with oil during manufacture which helps to protect and nourish the oak. The oiled oak finish brings out the beauty of the natural oak. This furniture oil will help to protect the oak from light spills and dirt but over time the layer of oil will dry out so some ongoing light maintenance is recommended to keep your new furniture in good condition and more resistant to any liquid spills. We recommend that a new coat of furniture oil is applied to your oiled oak furniture at least twice a year but further treatments may be required depending on the temperature and sunlight in the room that it's used in. On some occasions the oil may have started to dry out a little by the time it gets delivered if the item has been in storage for more than a few weeks so the product may sometimes benefit from a fresh re oiling soon after delivery.

There are many types of oil that can be used and most good DIY stores will stock Raw Linseed Oil which is what we recommend that you use. Raw Linseed Oil has a longer drying time than the boiled variety but it is much safer to use on dining furniture as it contains no additives. However, always refer to the manufacturer's instructions to check suitability. Alternatively, a good quality Olive Oil will also do a good enough job. The oil is best applied with the soft side of a kitchen sponge across the surface and then wiped off with some soft kitchen paper towels to remove the any excess oil that has not been absorbed around 10 - 15 minutes later. This allows enough time for the oil to penetrate into the oak and by wiping off the excess oil the surface should be nice and uniform. Take care to avoid spilling oil onto the floor or chairs around the table.

Small water marks or any dirty marks on the surface should be possible to be removed by lightly rubbing in the direction of the grain with some very fine wet and dry sandpaper for a few seconds (only ever use a 400 grade sandpaper). Never use a coarser grain of sandpaper. This process can also be used to reduce raised grain following drying of the oil or moisture absorption. Oil should then be re-applied as described above to re-seal the surface.

Wipe up any spills immediately with a dry lint free cloth. Direct bright sunlight and a hot room will speed up the rate at which the oil will dry out from the oak surface. Always use protective mats for plates, cups and glasses to remove the risk of water marks.