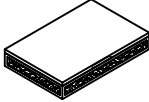









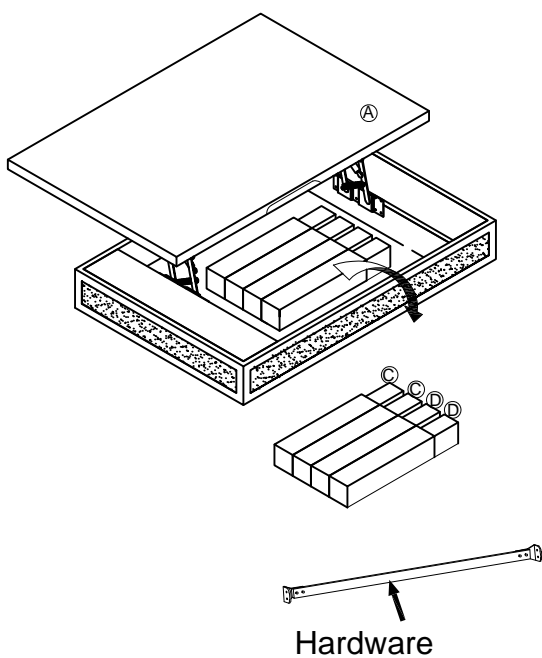
# Assembly Instruction

PartsList			
Item	Description	Part	Qty Pcs
A	Top Frame		1
B	Foot		2
C	Foot		2

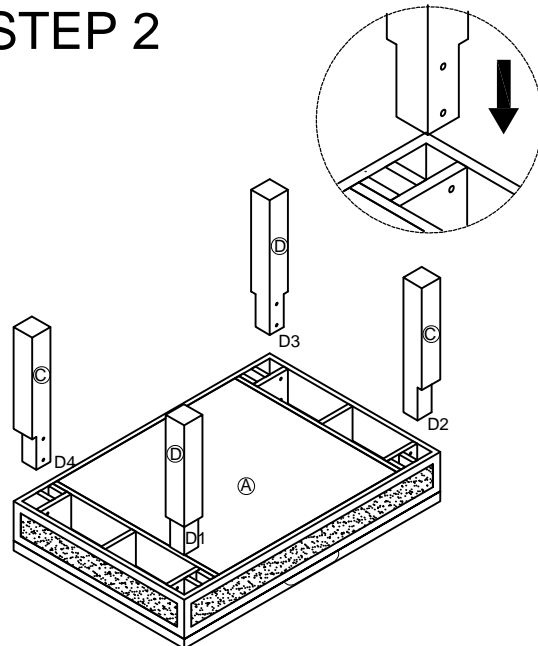
HardwareList			
Item	Description	Part	Qty Pcs
1	Allen Wrench		1
2	Handle Bolt		8
3	Bolt		4
4	Nut		4
5	Connecting rod		1

- 1、 Please check all items against the product list to ensure nothing is missing. Contact us at any time if any parts are not included.
- 2、 Before installation, place the packing foam from the box or prepare a thick cushion on the floor to protect the mirrored surface from scratches.

## STEP 1

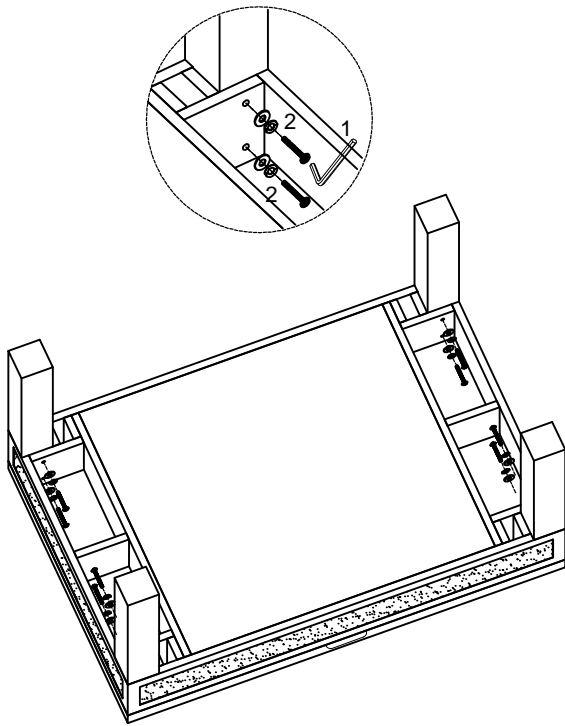


## STEP 2

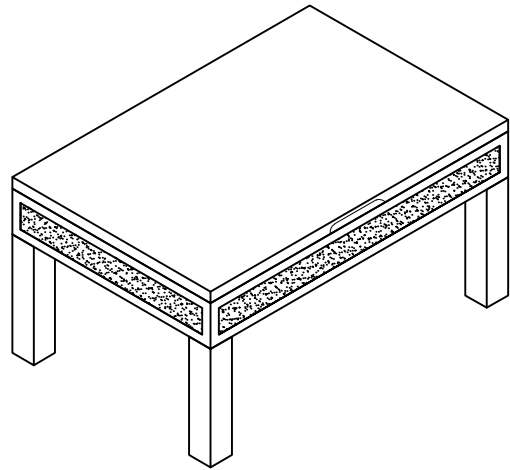


Place EPS or blankets underneath the product to prevent damage to the mirror surface  
Two people work together to lift the top and slowly flip it over

### STEP 3

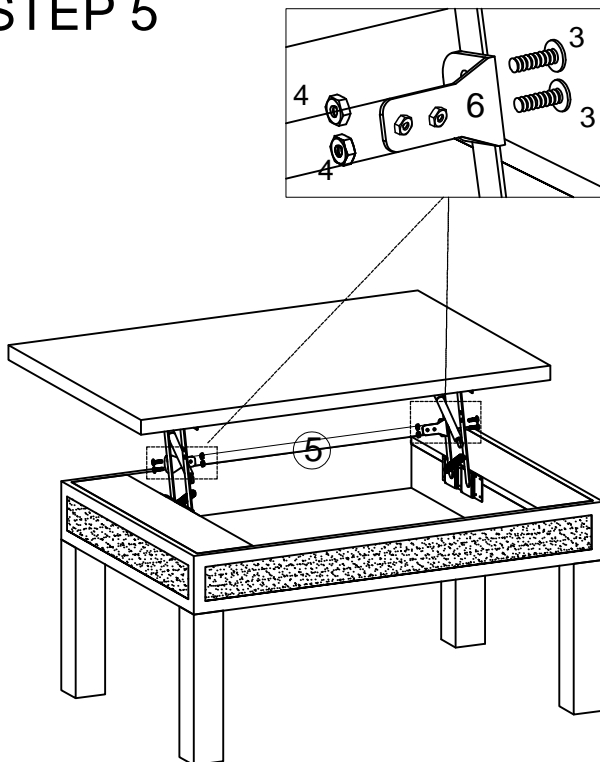


### STEP 4



Two people work together to lift the top and slowly flip it over

### STEP 5



### STEP 6

