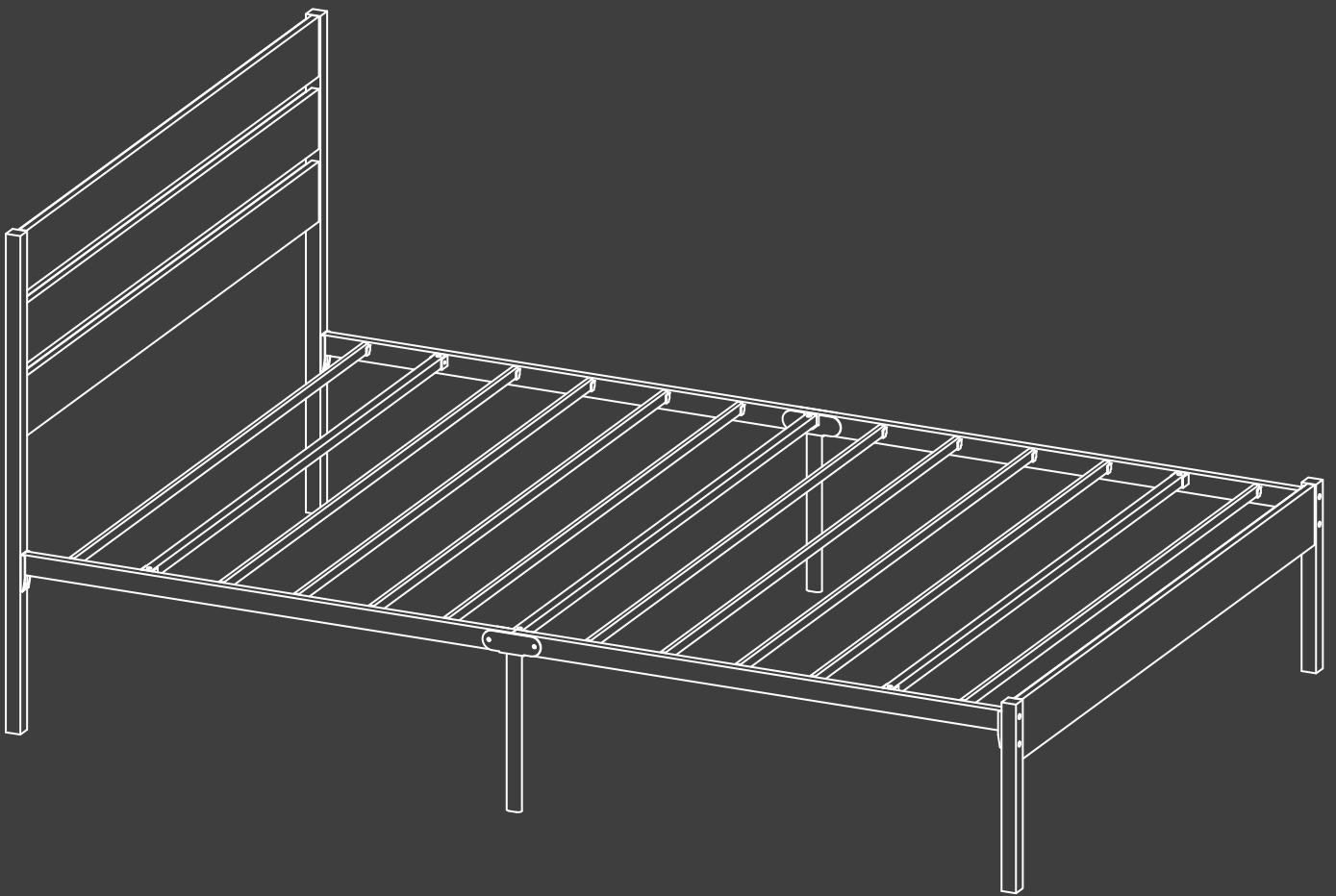
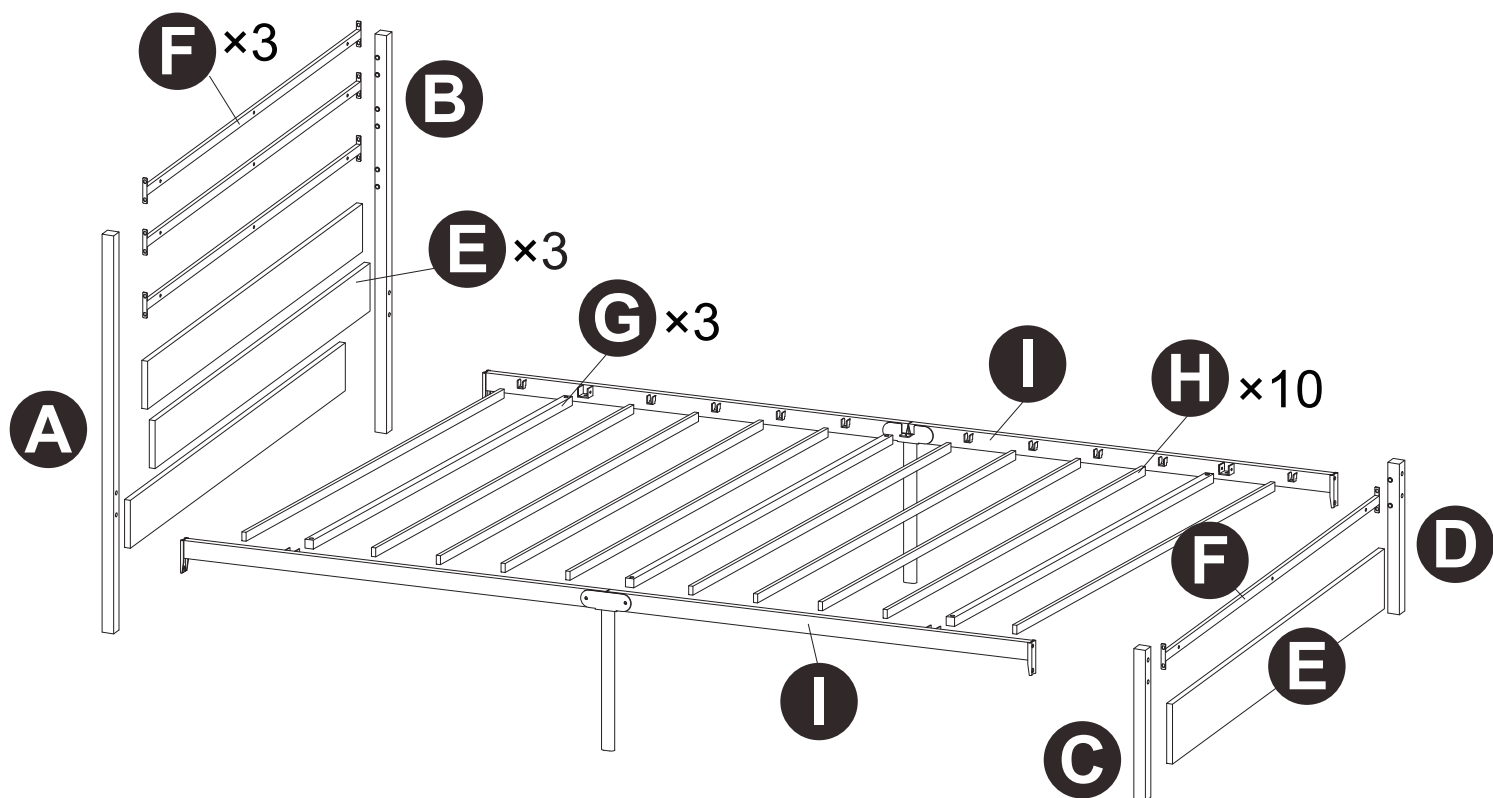


Bed Frame

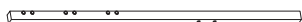
Instruction Manual





1 Component List

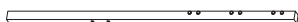
A



x1

Left bed leg

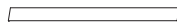
B



x1

Right bed leg

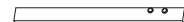
C



x1

Left bed tail leg

D



x1

Right bed tail leg

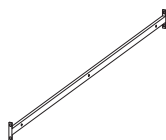
E



x4

Head and tail board

F



x4

Head and tail rail

G



x3

link bar

H



x10

Ribs strip

I

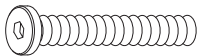


x2

Side frame

2 Hardware

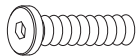
1



x4

M8x50mm

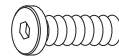
2



x4

M6x25mm

3



x12

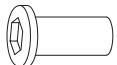
M6x20mm

4



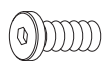
x8

5



x4

6



x16

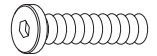
M6x12mm

7



x2

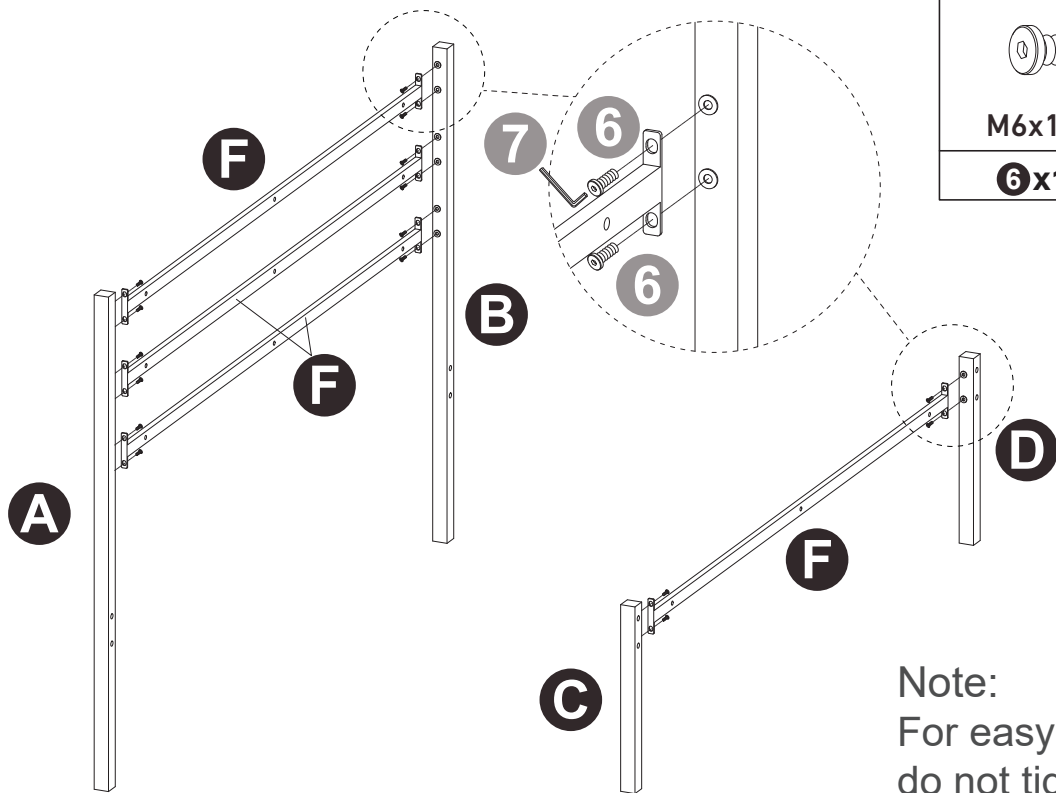
8





x6

M6x30mm

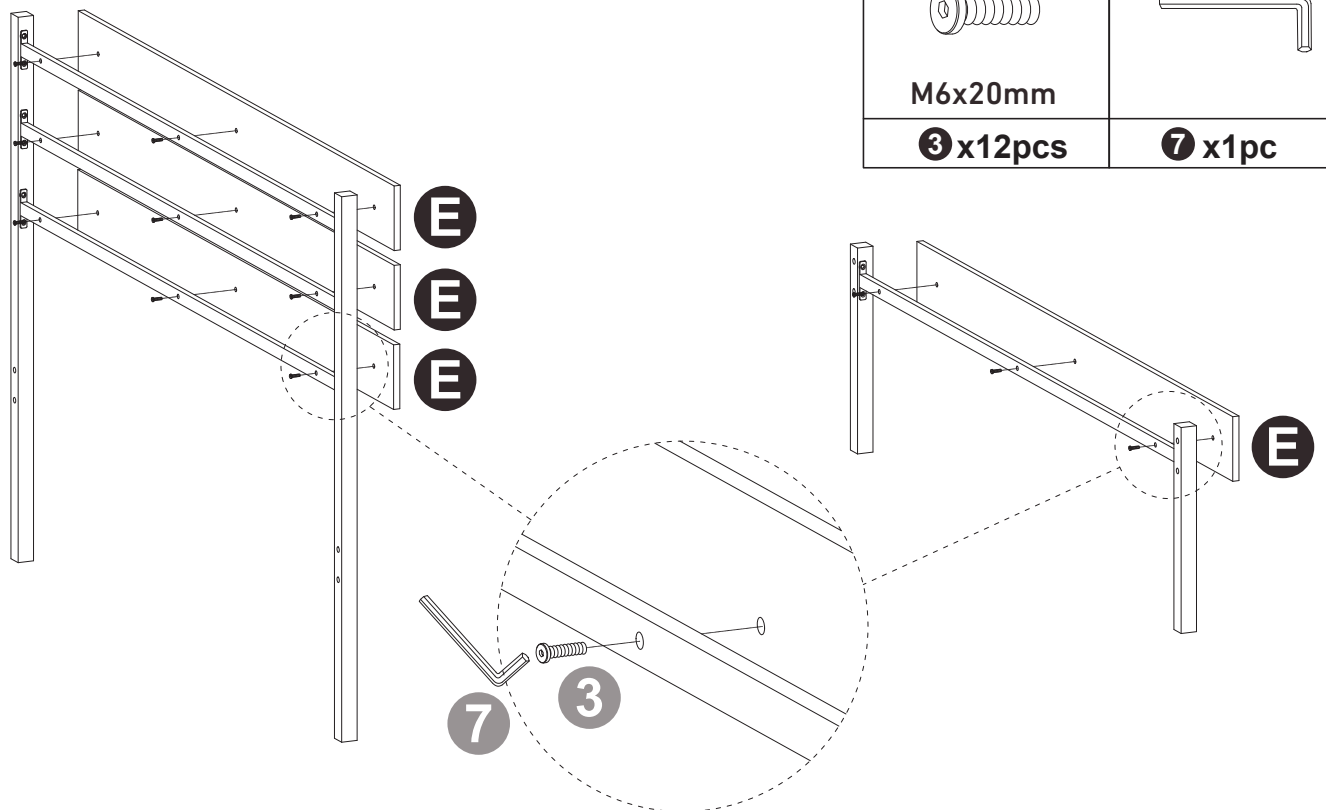
Step 1





	
M6x12mm	
6 x 16 pcs	7 x 1 pc

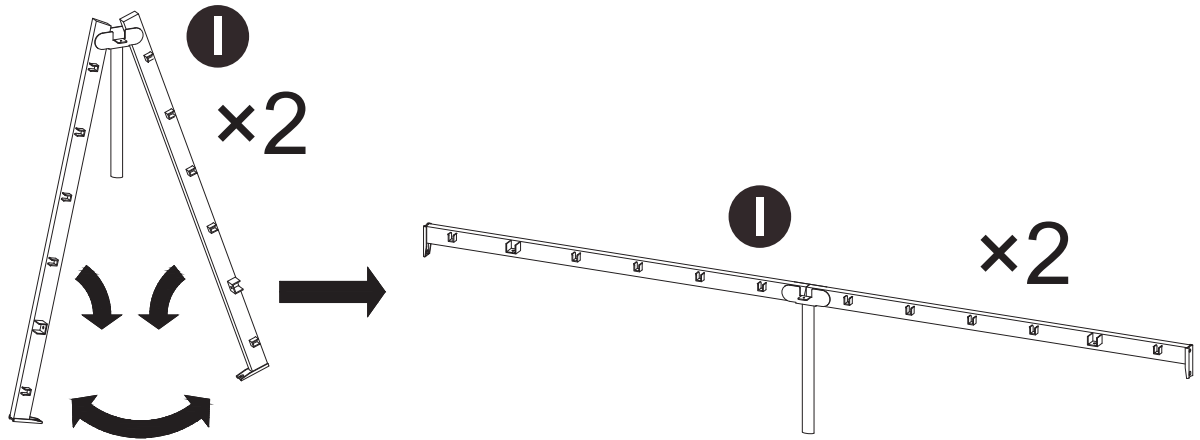
Note:
For easy setup intention do not tighten screws during the installation process,

Step 2

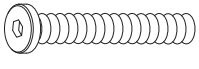
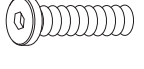

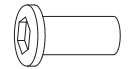



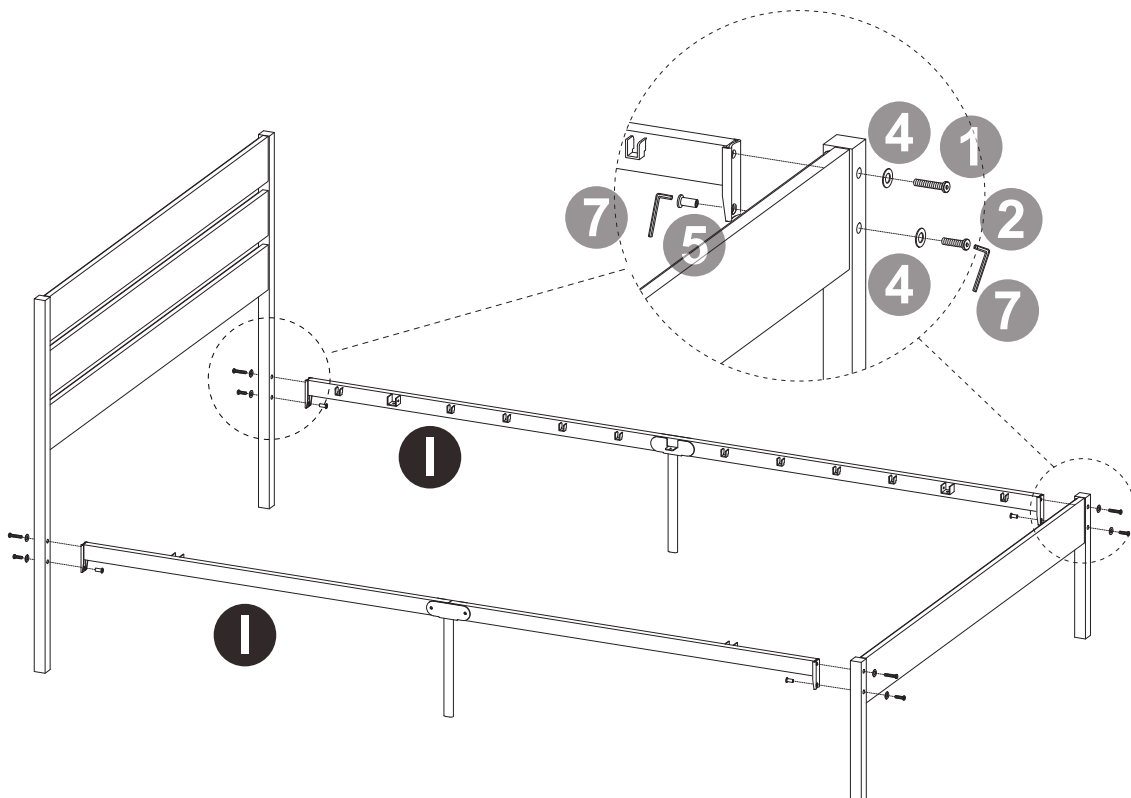
	
M6x20mm	
3 x 12 pcs	7 x 1 pc

Step 3

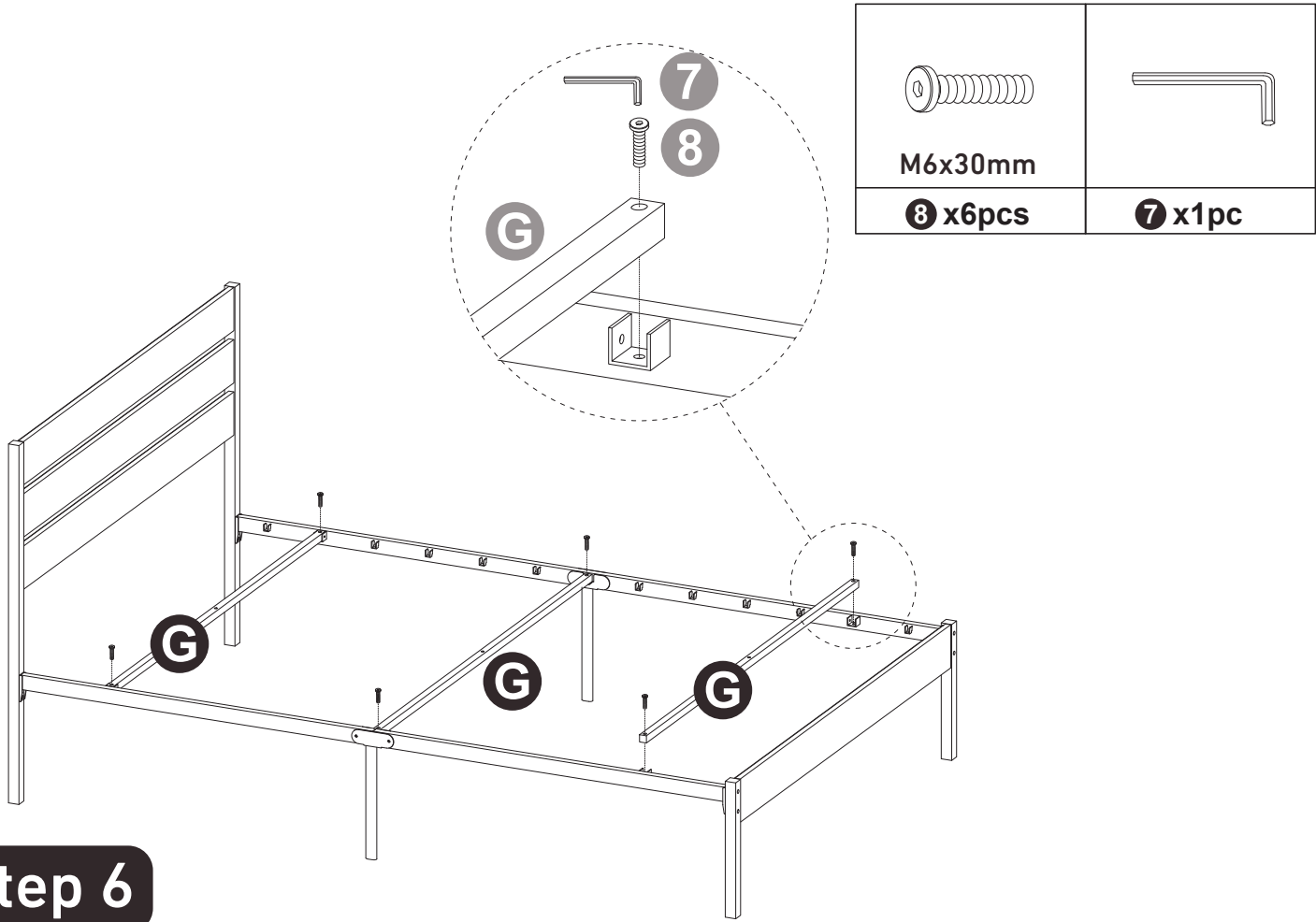


Step 4

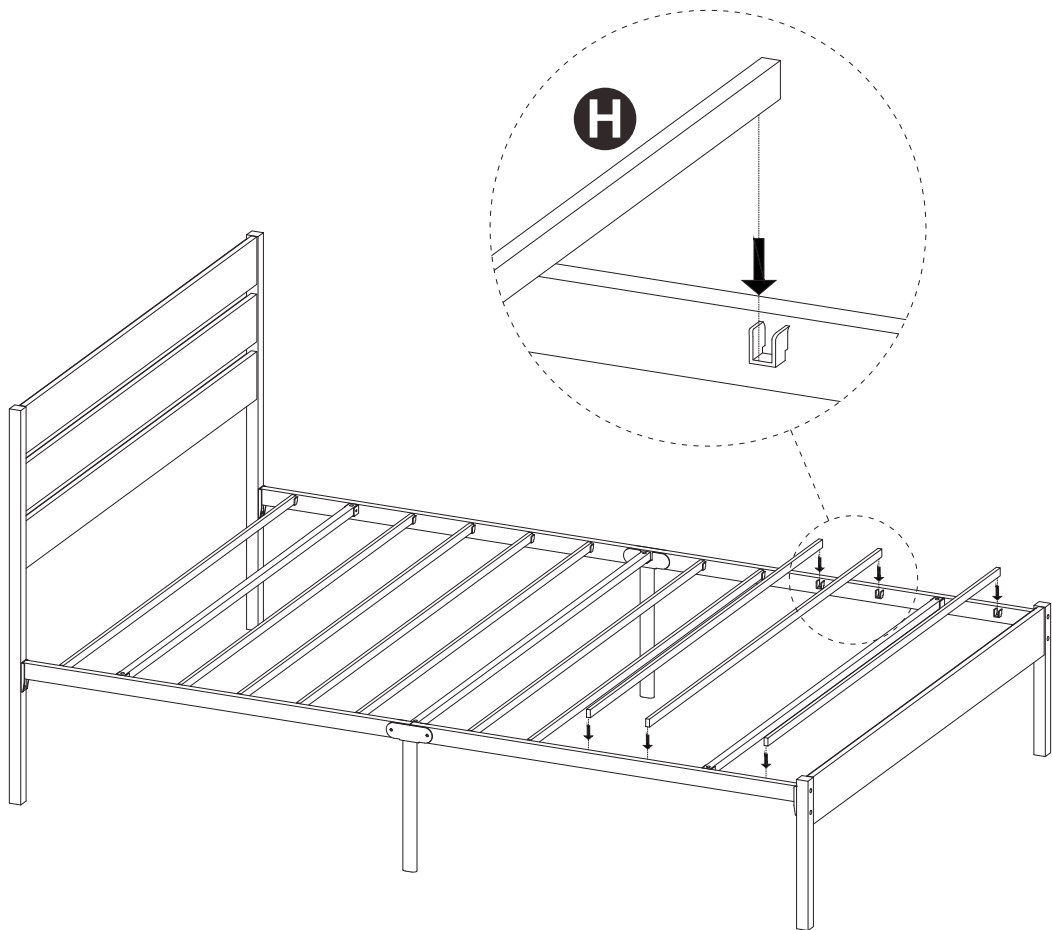
				
M8x50mm	M6x25mm			
① x4pcs	② x4pcs	④ x8pcs	⑤ x4pcs	⑦ x2pcs



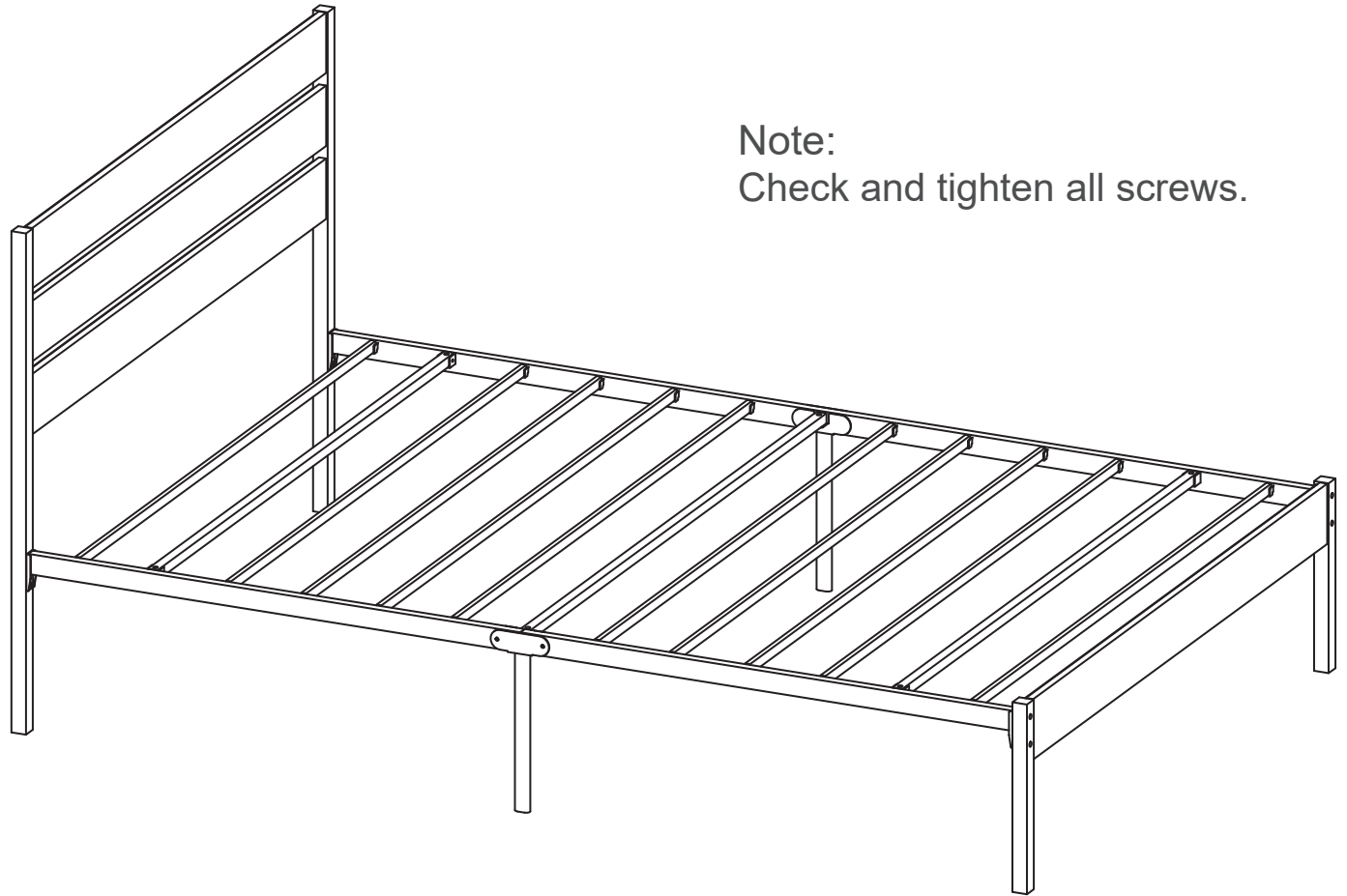
Step 5



Step 6



Step 7



Note:
Check and tighten all screws.