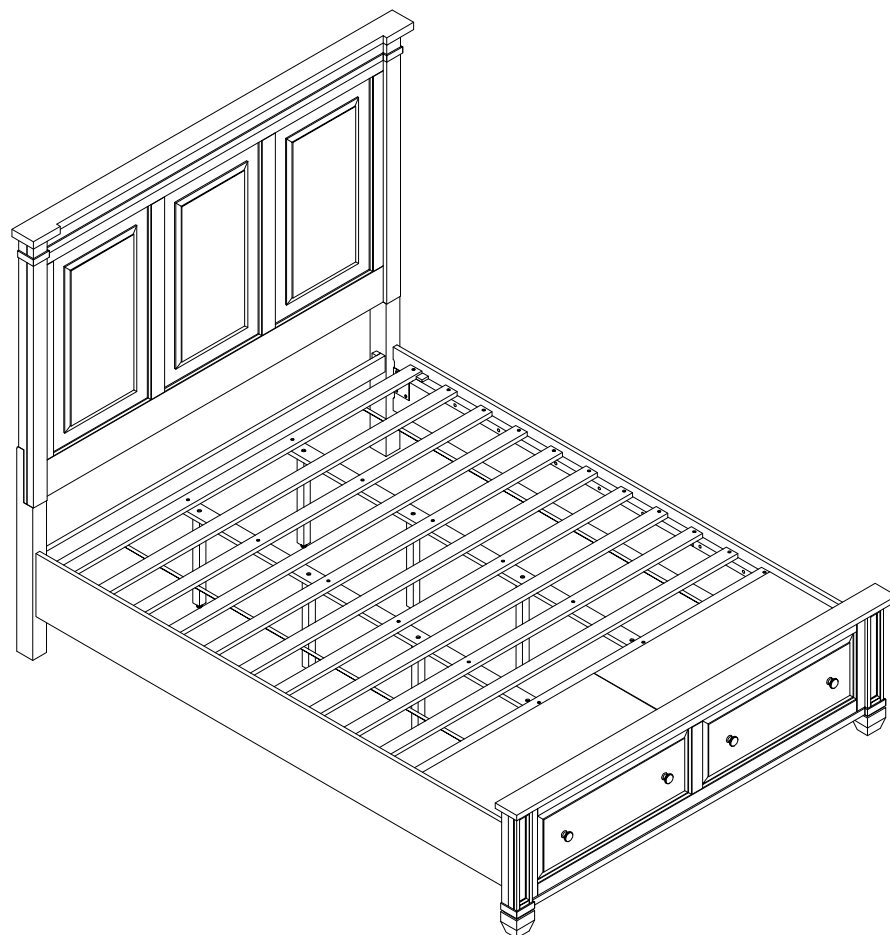
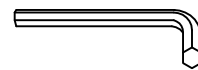


ASSEMBLY INSTRUCTIONS



TOOLS REQUIRED



Allen Wrench
(Included)



Phillips
Screwdriver
(Not Included)



2 - People
Recommended

ASSEMBLY RATING



EASY —————> DIFFICULT

The Assembly Rating is a 5-point system showing the level of effort needed to assemble a specific product.



CHECK BEFORE STARTING

Are you missing anything?

Double-check all parts, hardware and accessories listed are all accounted for.

Check out our Quick Tips!

We recommend reviewing the pre-assembly handouts. Even experts need a refresher now and then!

Should we send any replacements?

Are there any irregularities or flaws in the parts? We can send replacements!

Prep Time!

Please review the assembly instructions and all diagrams prior to assembling.

PRE ASSEMBLY INTRODUCTION

We understand building ready-to-assemble furniture can be a challenging experience for some. To help avoid confusion, we have provided some helpful tips that may speed up the process.



Teamwork

ALWAYS have at least two people to help with transporting and assembling the product to avoid potential injury and/or damage.



Suitable Location

Assembling near the area of the intended location is highly recommended.



Sufficient Space

Make sure you have enough space to move around during the assembly.



Avoid Scratches

Use cardboard, blankets or a carpeted area while assembling furniture to prevent to prevent scratches and damages.



Flat Surface

Make sure the furniture rests on a flat and level surface with each leg evenly touching the floor.

ASSEMBLY AND CARE ADVICE



FAILURE TO FOLLOW THE GUIDELINES BELOW MAY RESULT IN INJURY AND/OR PROPERTY DAMAGE.



Position each part correctly and insert screws or bolts into their respective holes.



Turn clockwise to tighten and only tighten when step is completed or when instructed to do so.



Use the appropriate hand tools or power tools for assembly. Select steps, such as tightening screws and/or bolts, may require hand tools to avoid causing damage during assembly.



Save the instructions and store any supplied tools for later maintenance.



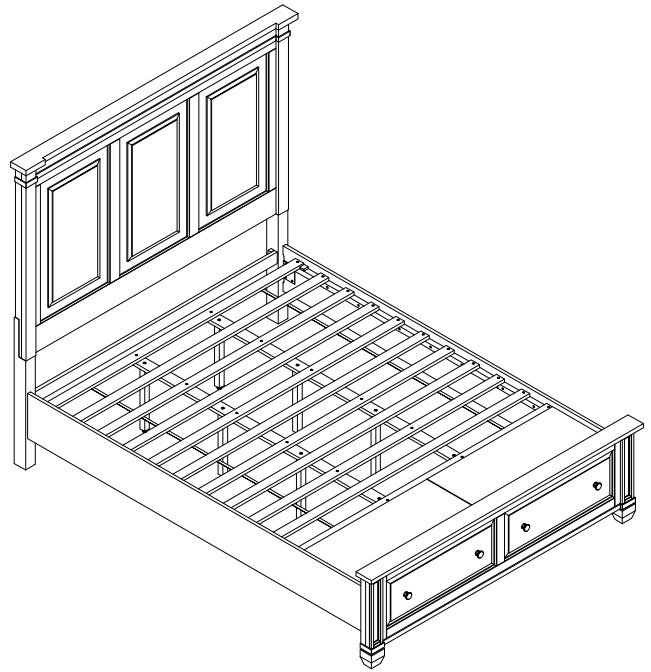
After two weeks, check and tighten any loose hardware and repeat again every six months thereafter.

IT IS THE USER'S RESPONSIBILITY TO MAINTAIN THE FURNITURE. THE HARDWARE MAY LOOSEN OVER TIME AND MAY CAUSE THE FURNITURE TO BE WOBBLY AND UNABLE TO SUPPORT ITS INTENDED WEIGHT CAPACITY. THIS MAY LEAD TO COLLAPSE AND MAY CAUSE SERIOUS INJURY.

BED

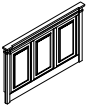


- Please keep instructions for future reference.
- Check the quantity and irregularity of parts and hardware before you start.



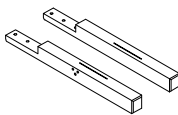
PARTS

#1 1pc



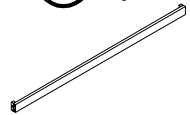
Headboard

#2 2pcs



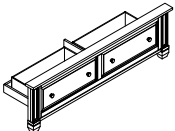
Headboard Leg(L&R)

#3 1pc



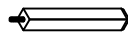
Cross bar

#4 1pc



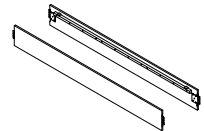
Footboard

#5 2pcs Ø1/4



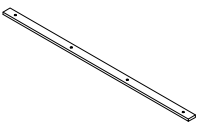
FB Support Leg
152x29x29mm

#6 2pcs



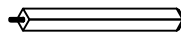
Side Rail

#7 2pcs



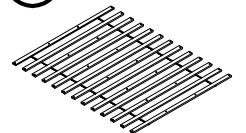
Center Slat

#8 8pcs Ø1/4



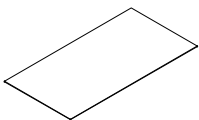
Short Support Leg
333x29x29mm

#9 1set



Bed Slat (13pcs)

#10 2pcs



Dust Proof Panels

HARDWARE

#A 6pcs



Bolt Ø5/16" x 2"

#B 2pcs



Bolt Ø5/16" x 1-1/2"

#C 8pcs



Lock Washer Ø5/16"

#D 8pcs



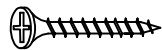
Flat Washer Ø5/16"

#E 1pc

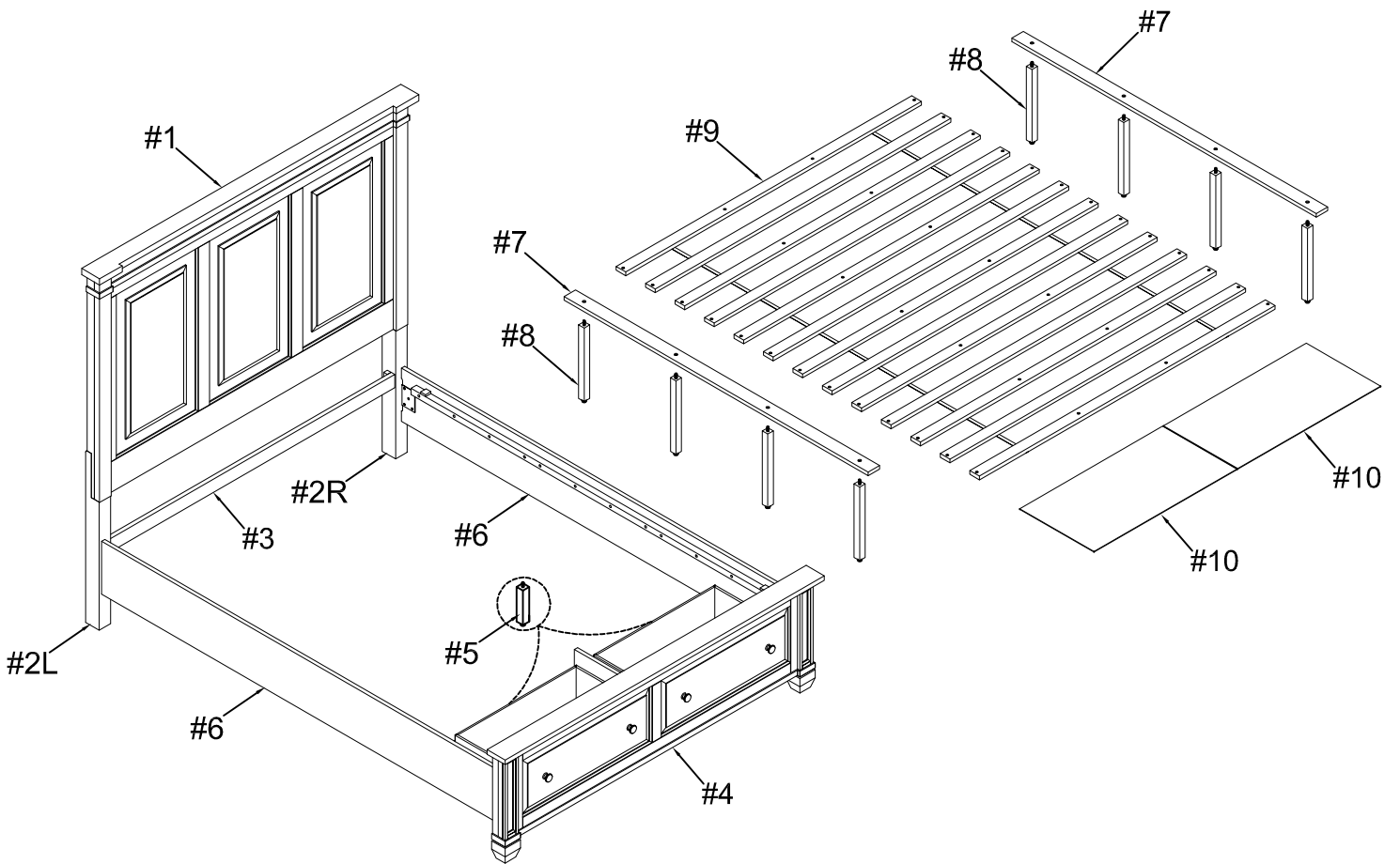


Allen Wrench M4

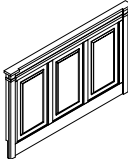





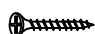
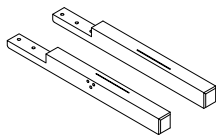
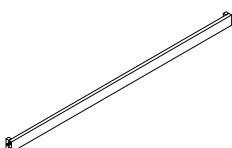
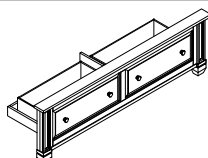
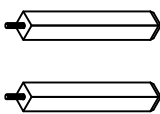
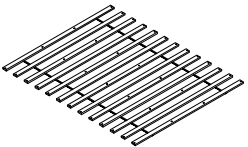
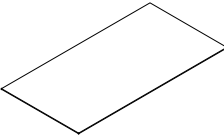
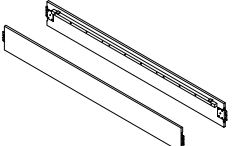
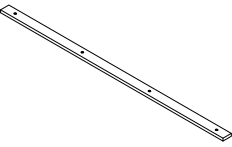
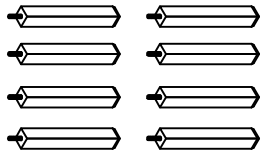
#F 38pcs



Screw #8 x 30mm



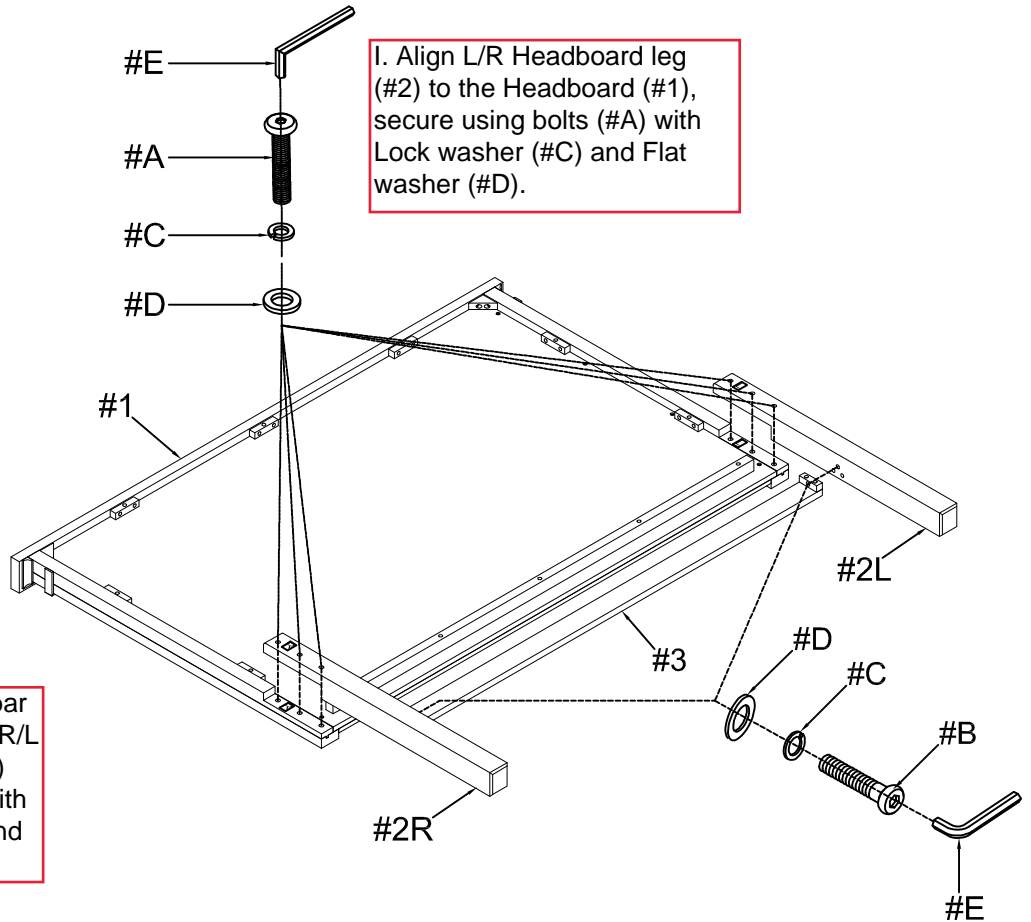
is packed in 3 cases

Carton	Disignation	Part	Hardware
	Headboard	#1 	 #A 6pcs  #B 2pcs  #C 8pcs  #D 8pcs  #E 1pc  #F 38pcs
	Headboard Leg(L&R)	#2 	
	Cross bar	#3 	
	Footboard	#4 	
	FB Support Leg	#5 	
	Bed Slat (13pcs)	#9 	
	Dust Proof Panels	#10 	
	Side Rail	#6 	
	Center Slat	#7 	
	Short Support Leg	#8 	

ASSEMBLY INSTRUCTIONS

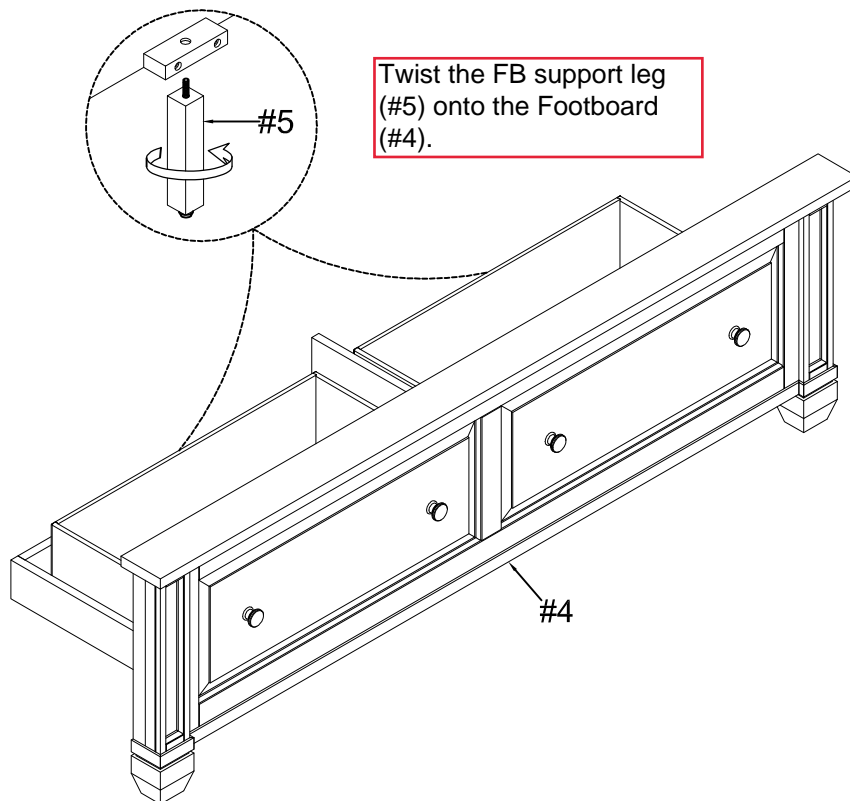
1

- Part #1 x1pc
- Part #2 x2pcs
- Part #3 x1pc
- Hardware #A x6pcs
- Hardware #B x2pcs
- Hardware #C x8pcs
- Hardware #D x8pcs
- Hardware #E x1pc



2

- Part #4 x1pc
- Part #5 x2pcs

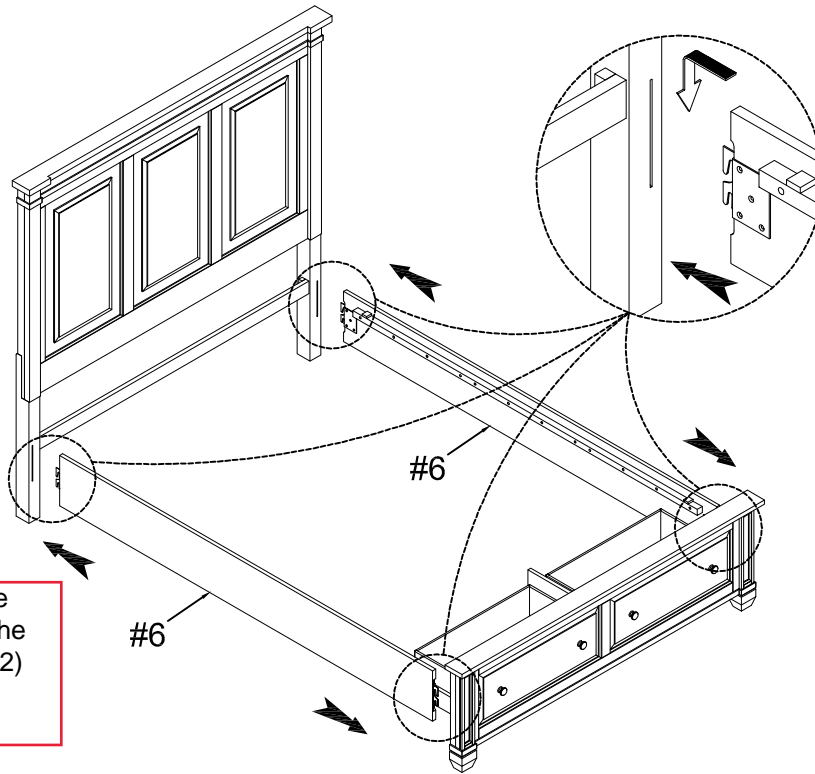


ASSEMBLY INSTRUCTIONS

3

Part #6 x2pcs

Insert and hook the Side rail (#6) into the Headboard legs (#2) and the Footboard (#4).

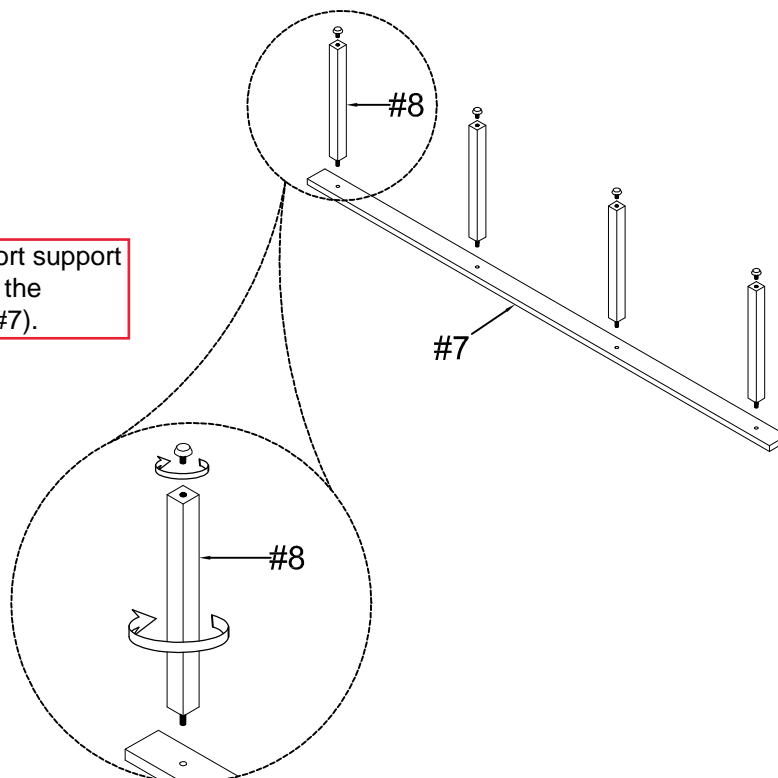


4

Part #7 x2pcs

Part #8 x8pcs

Twist the Short support leg (#8) onto the Center slat (#7).

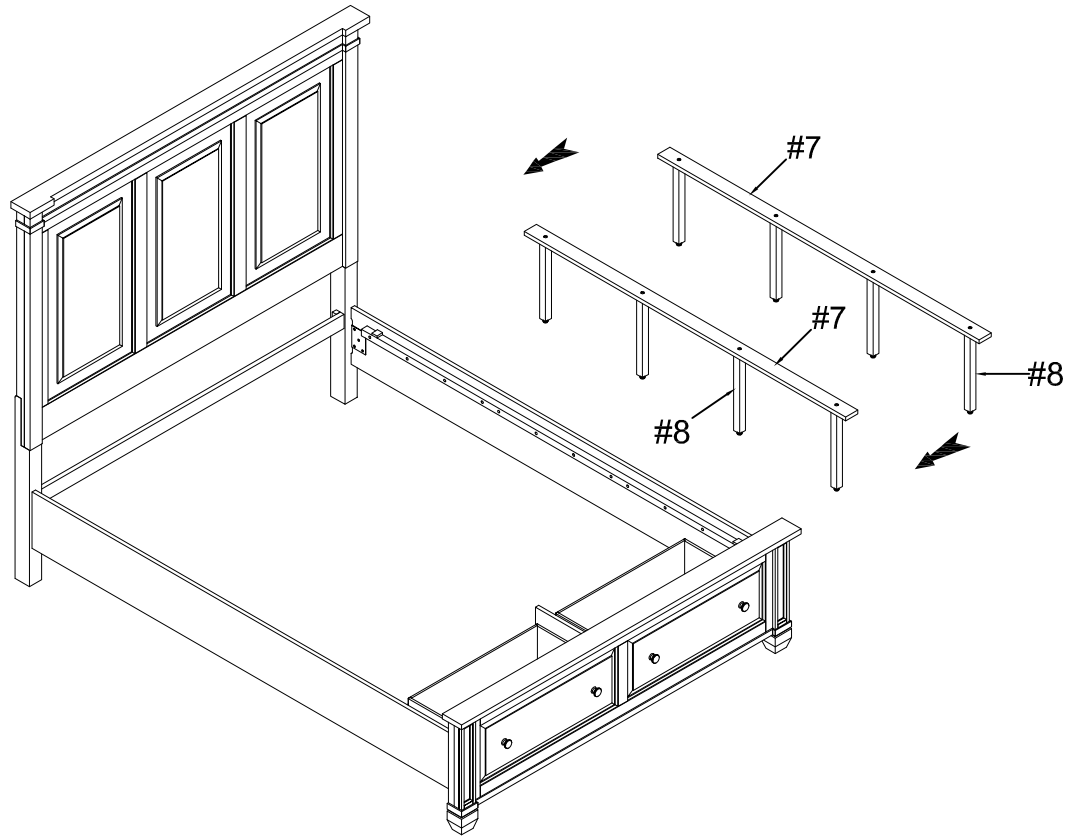


ASSEMBLY INSTRUCTIONS

5

Part #7 x2pcs

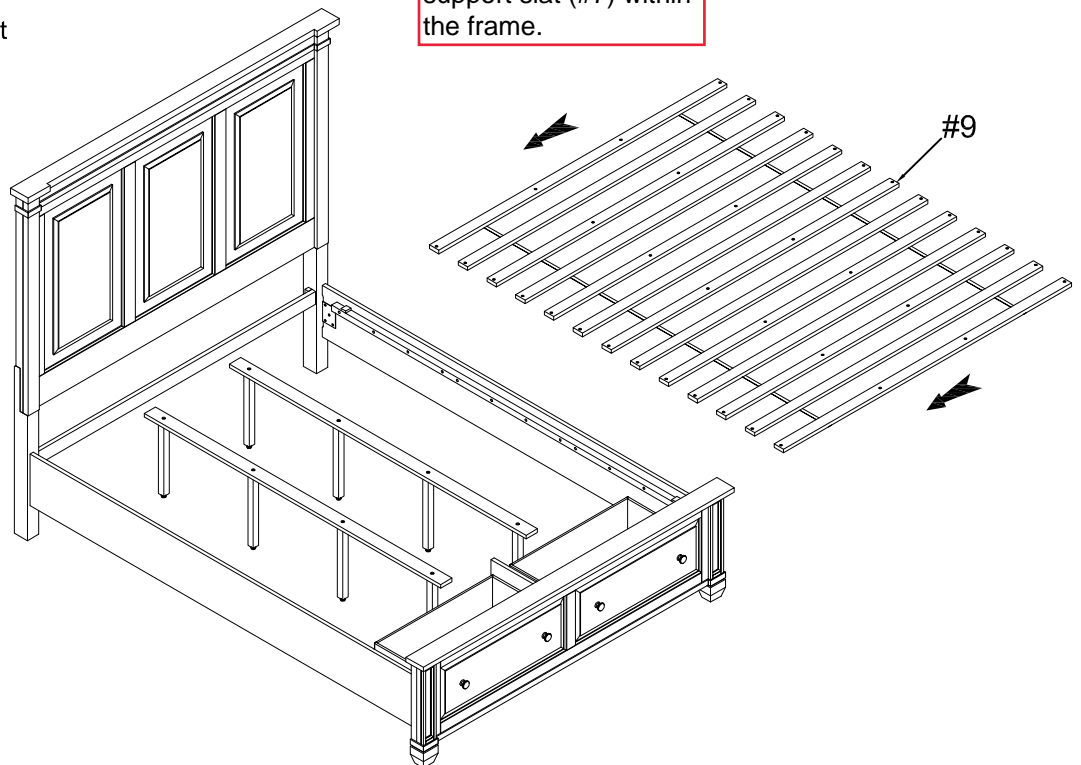
Part #8 x8pcs



6

Hardware #9 x1set

Place the Center support slat (#7) within the frame.

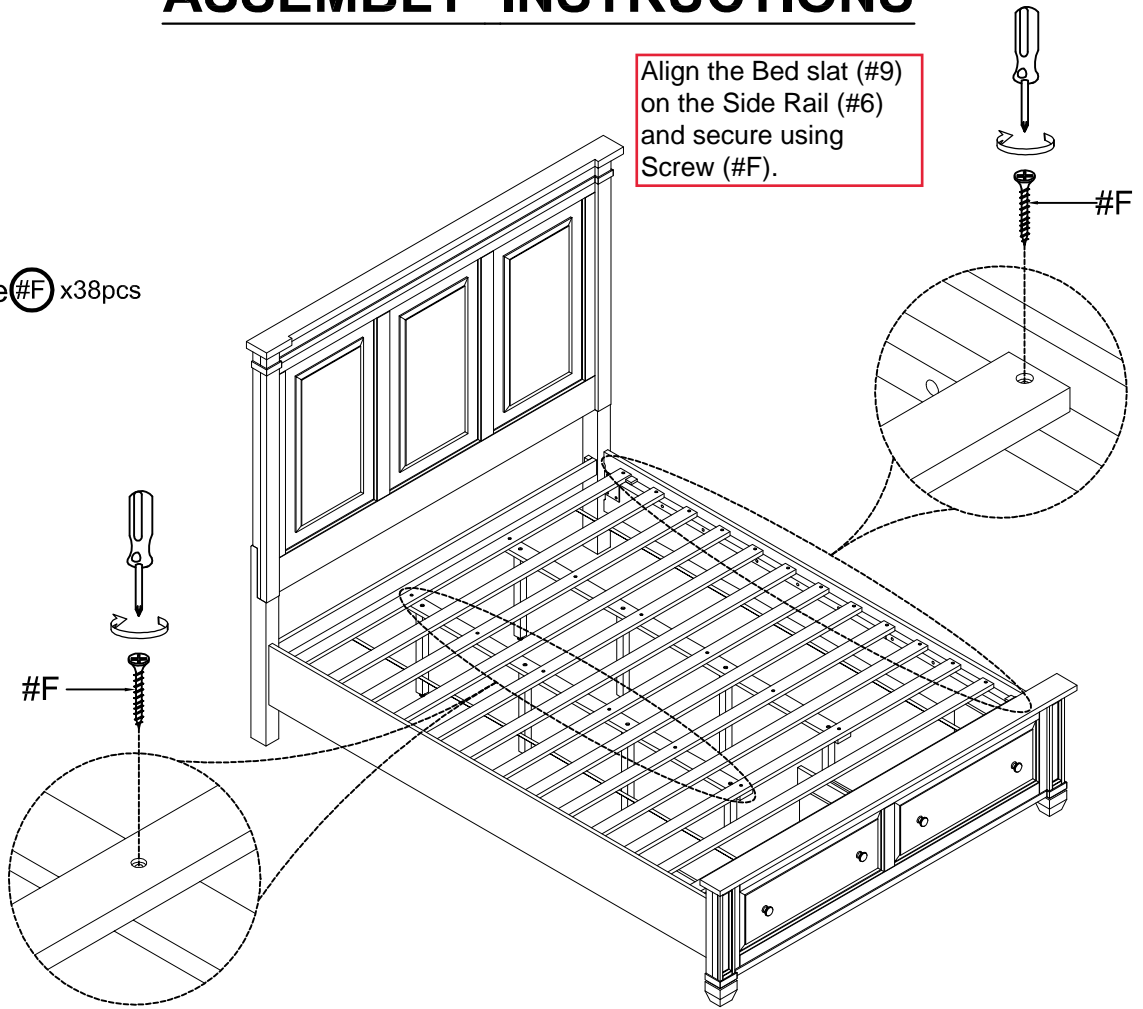


ASSEMBLY INSTRUCTIONS

7

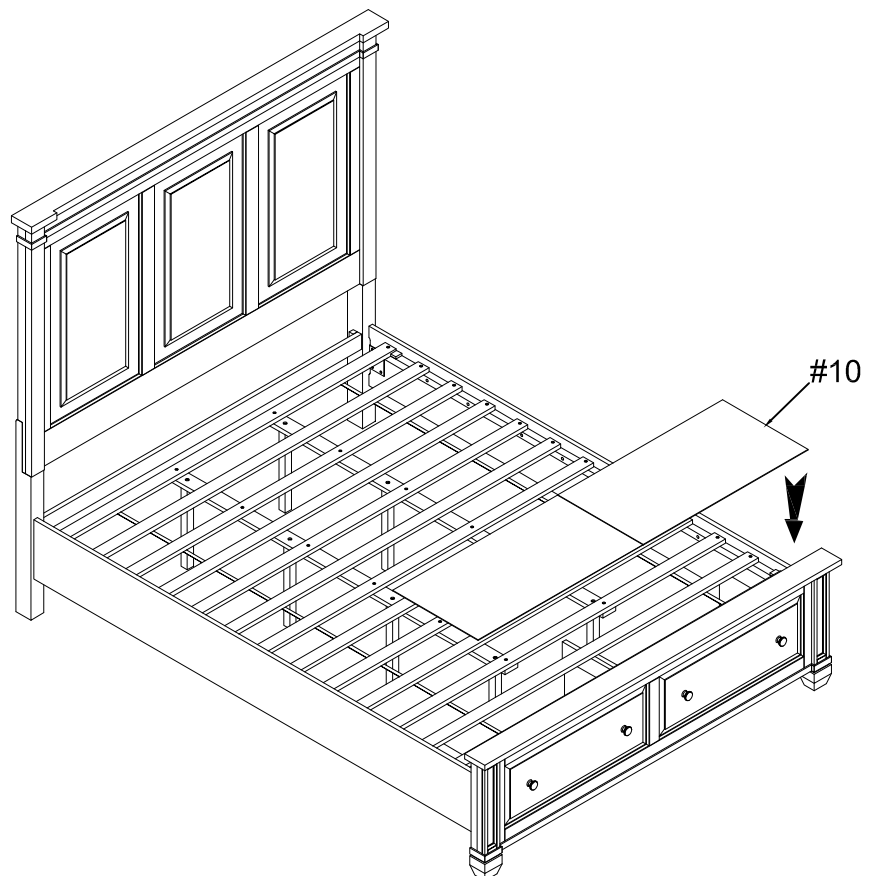
Hardware **(#F)** x38pcs

Align the Bed slat (#9) on the Side Rail (#6) and secure using Screw (#F).



8

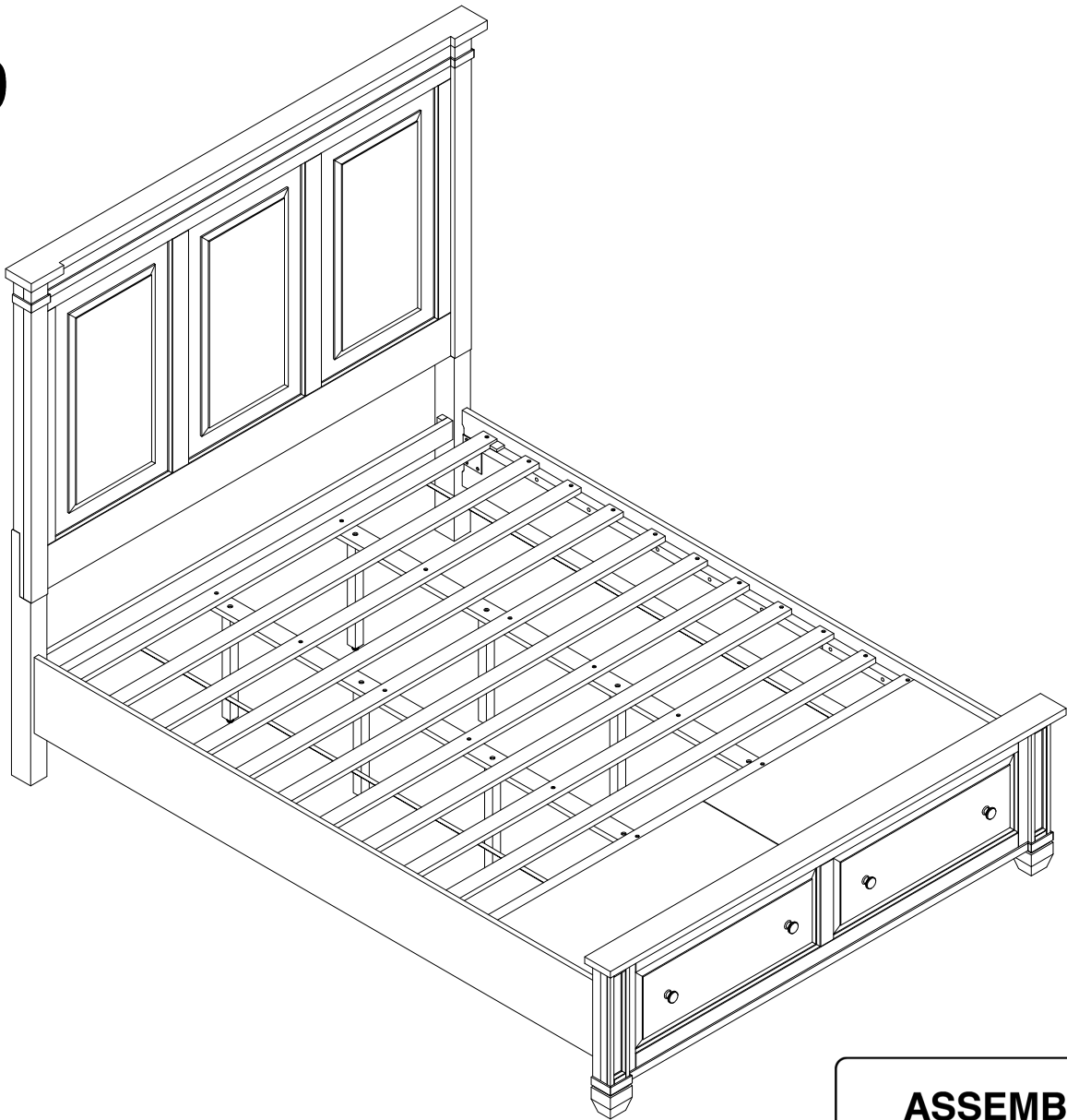
Part **(#10)** x2pcs



Place the Dust proof panels (#10) over the Bed slat (#9).

ASSEMBLY INSTRUCTIONS

9



ASSEMBLY COMPLETED



Please ensure the furniture rests on an even and flat surface. If the product wobbles or feels loose, double-check all bolts and/or screws are properly tightened and secured.



Keep this handy!

Please retain this instruction manual and any order-related information for future reference.



Lift, don't drag!

To avoid damage to product please always LIFT the product when transporting or adjusting the placement.