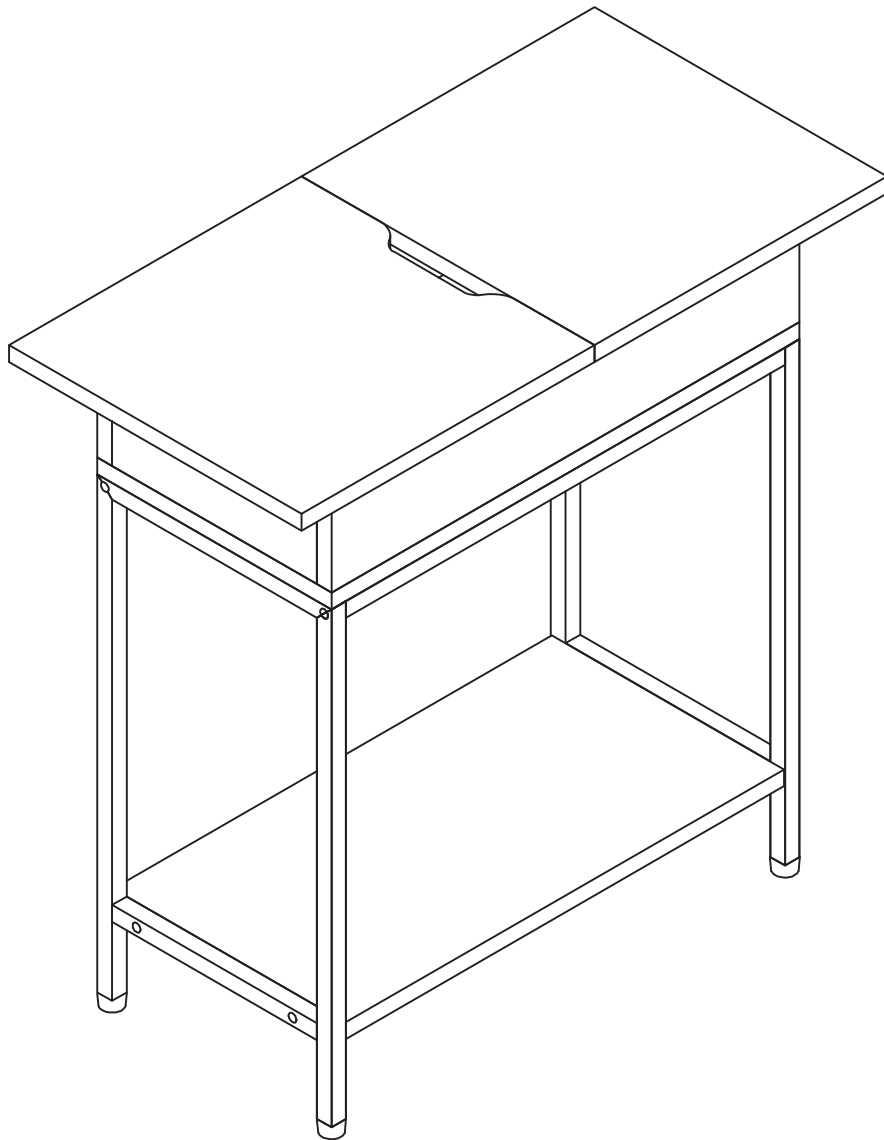
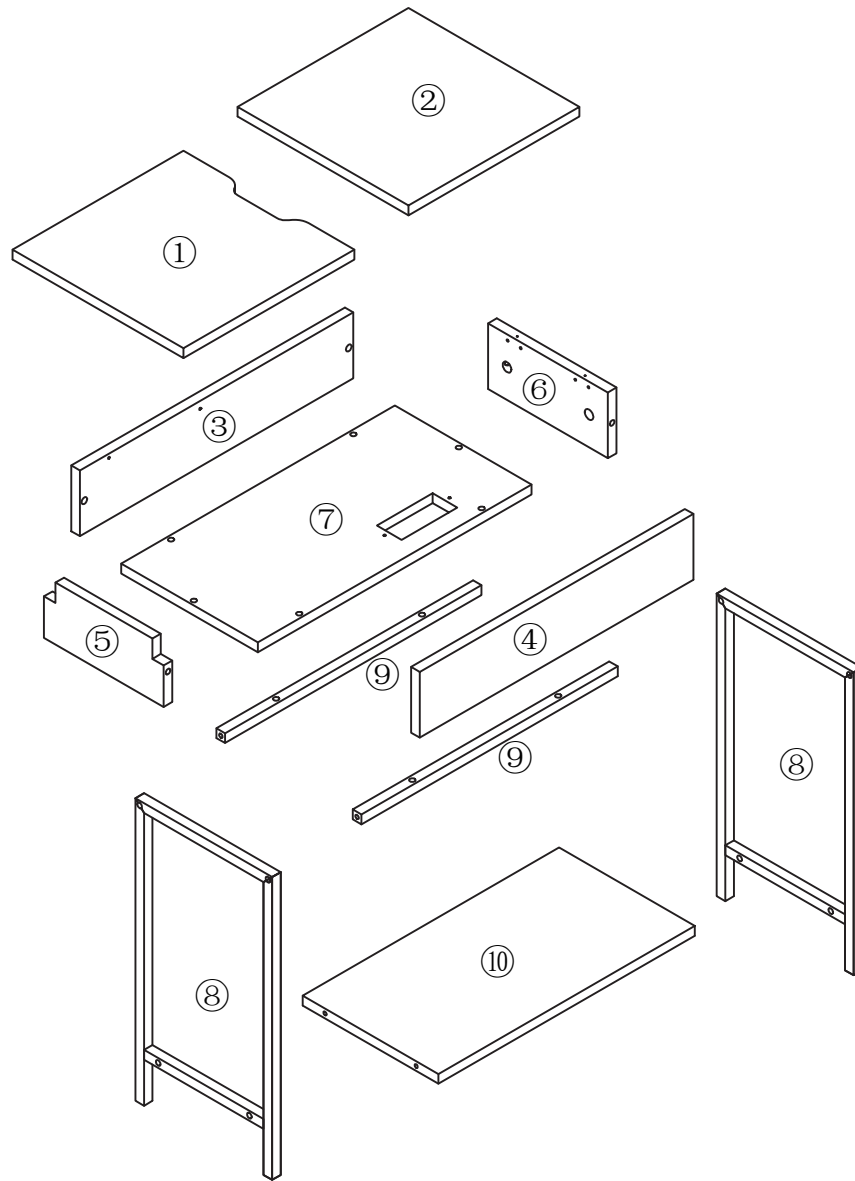


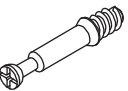


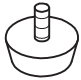
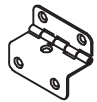
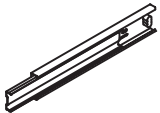
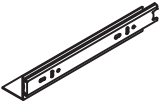
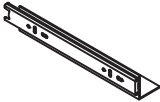


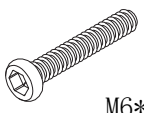
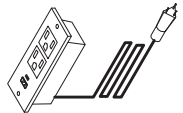




ASSEMBLY INSTRUCTION



ASSEMBLY INSTRUCTION



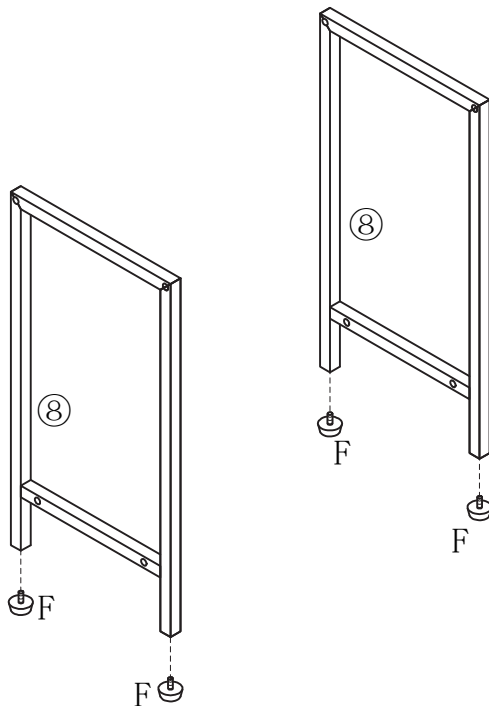
 M7*38	 15*10		 M6*25	 M3.5*14	
A 10PCS	B 4PCS	C 4PCS	D 4PCS	E 18PCS	F 4PCS
					 M6*12
G 4PCS	H 2PCS	I1 1PCS	I2 1PCS	J 2PCS	K 4PCS
 M6*35					
L 4PCS	L 1PCS	#3			

ASSEMBLY INSTRUCTION

1

⑧  2PCS

F  4PCS



Twist Part F into the table legs.

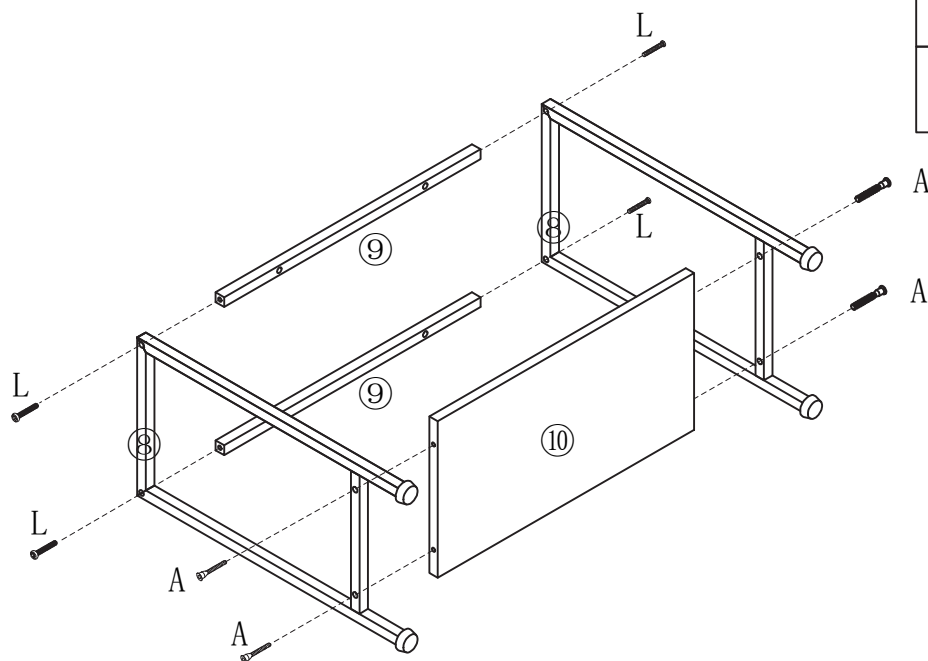
2

⑨  2PCS

⑩  1PCS

A  4PCS

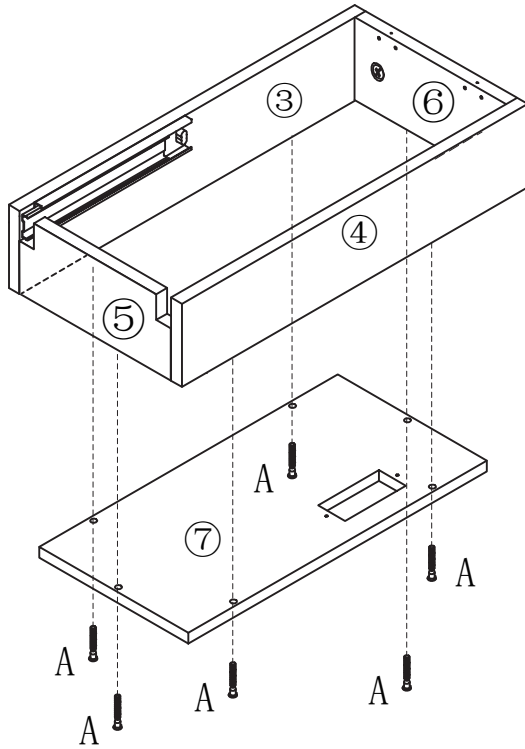
L  4PCS

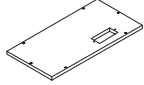


Twist Screw A to connect Board 10 and the table legs,
then twist Screw L to connect Part 9 with the table legs as displayed.

ASSEMBLY INSTRUCTION

6

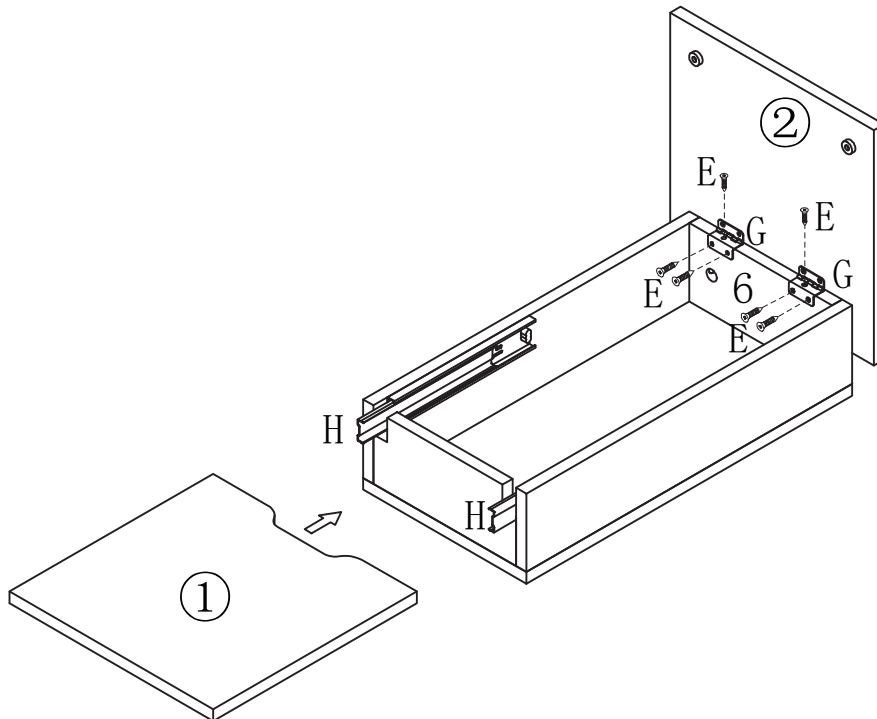


⑦  1PCS

A  6PCS

Twist Screw A to connect Board 7 with Board 3, 4, 5, 6.

7



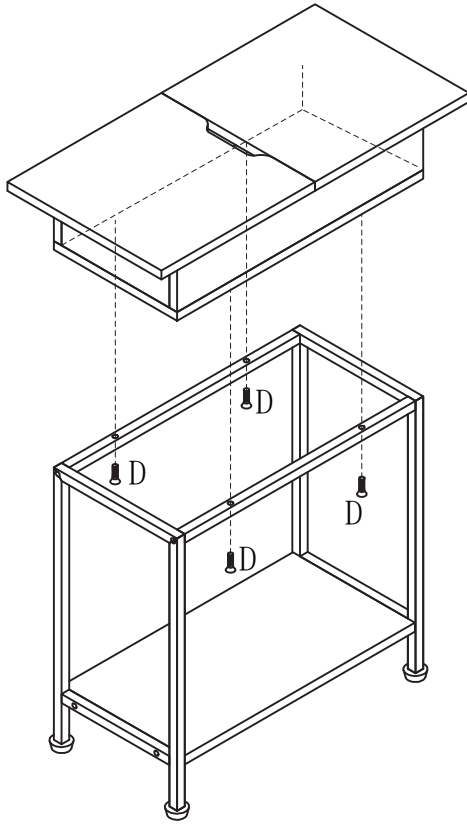
E  6PCS

Twist Screw E to connect Part G with Board 6 as displayed.
Then, place Board 1 onto Part H to form a table top.

ASSEMBLY INSTRUCTION

8

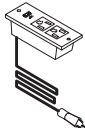
D  4PCS

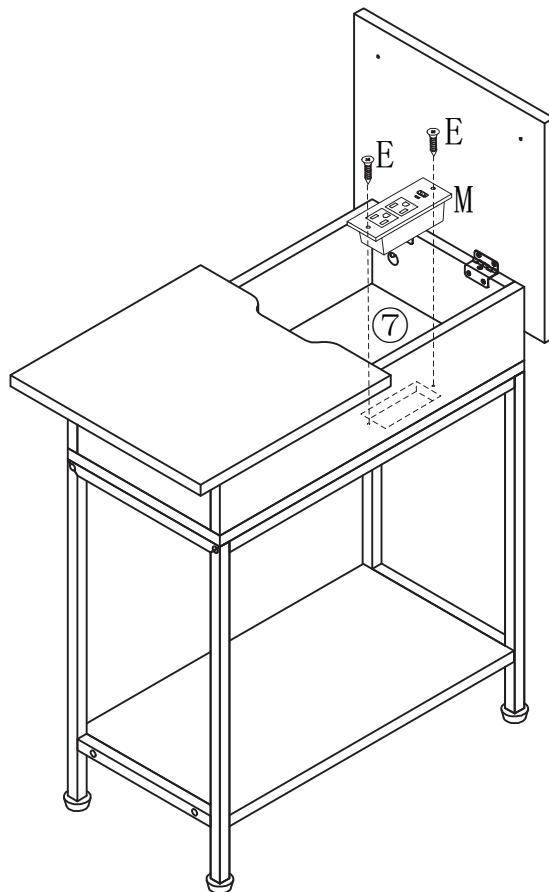


Connect the table top and table legs.
Tighten Screw D with Part#3.

9

E  2PCS

M  1PCS



Twist Screw E to connect
Part M with Board 7.

HOORAY!