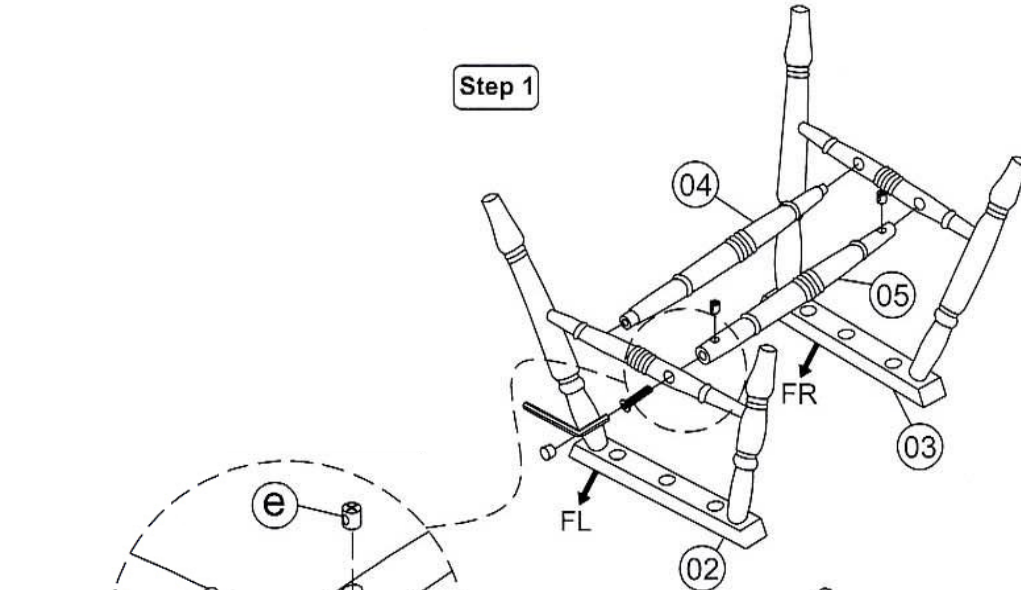
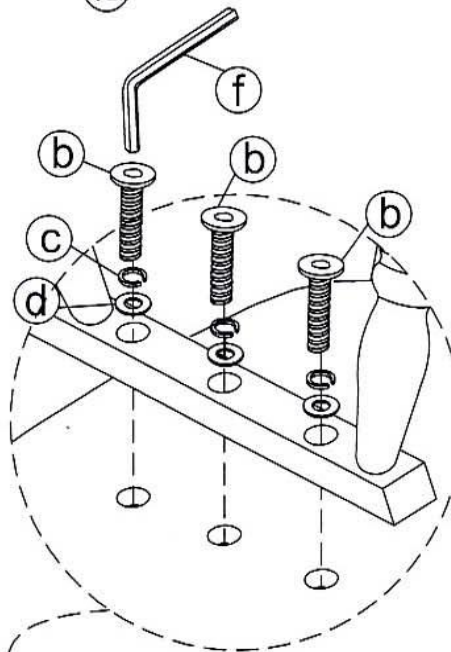
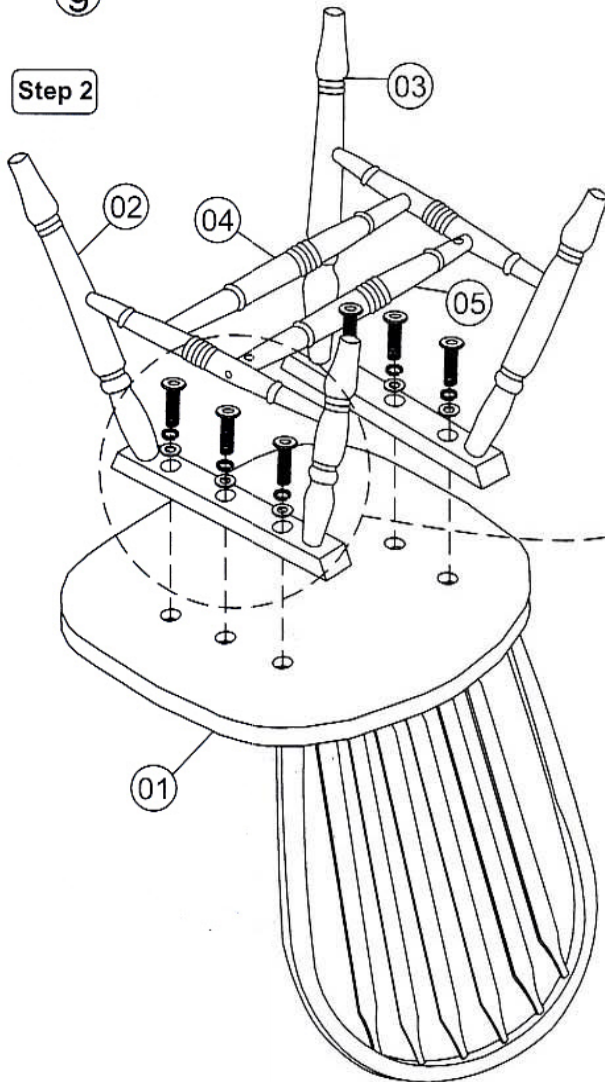


Step 1



Step 2



List of Part For 1 Chair

01		Chair Back	1
02		Base Plate R	1
03		Base Plate L	1
04		Front Stretcher	1
05		Back Stretcher	1

List of hardware For 1 Chair

a		JCBC Bolt M6 x 45mm	2
b		JCBC Bolt M6 x 30mm	6
c		Spring Washer 1/4"	6
d		Flat Washer 1/2" x 13mm	6
e		JRN Nut	2
f		Allen Key M4	1
g		Wood Button	2



Important Notes

- * Keep all hardware parts out of reach of children.
- * Must tighten screws periodically. With use screws will become loose. Check tightness of all screws every 6-8 weeks.
- * Don't attempt to repair or modify parts that are broken or defective. Please contact the store immediately.
- * Do not tighten all screw / bolt until all completely assembled.

Notes

- * Place all wooden parts on a clean and smooth surface such as a rug or carpet to avoid the parts from being scratched.
- * Check to be sure that you have all parts and hardware.
- * Remove all wrapping materials including staples & packing straps before you start to assemble.
- * Do not tighten all screws / bolts until all completely assembled.

Care And Maintenance

- * The Touch of a soft cloth is all the maintenance your wood pieces will ever need.
- * Never use harsh chemicals or abrasive cleaner as they could mark or destroy finish.

