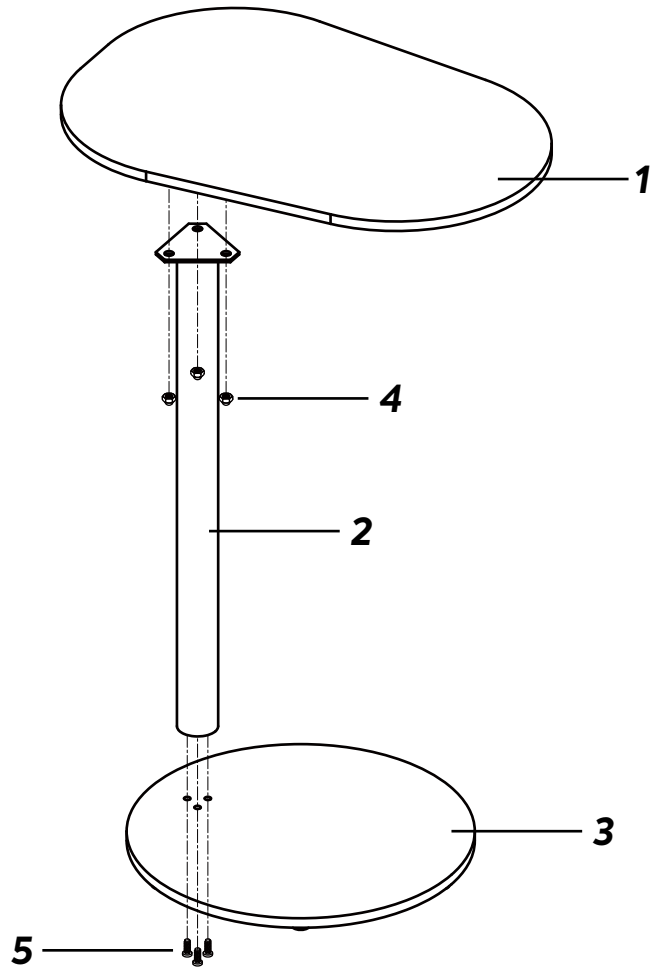
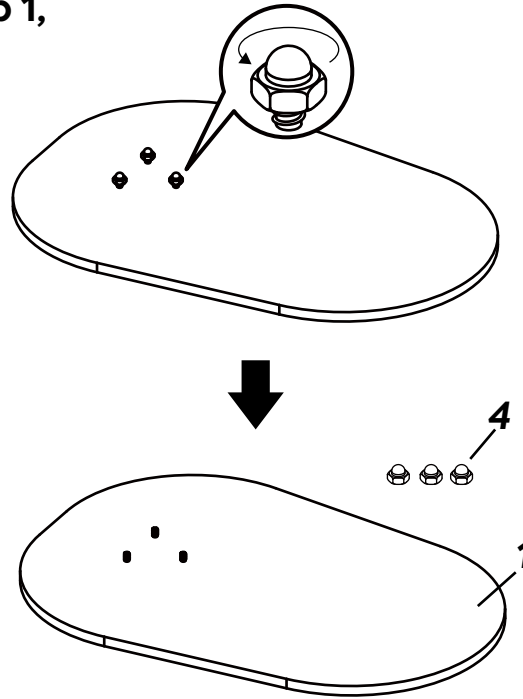


Assembly Instruction

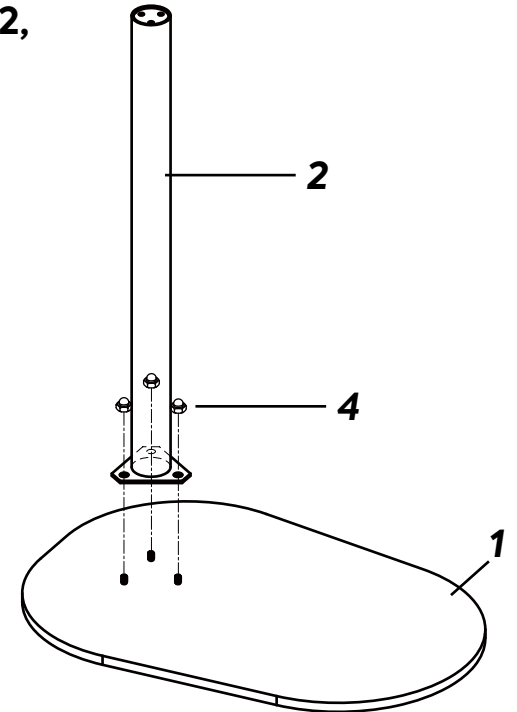
Part List



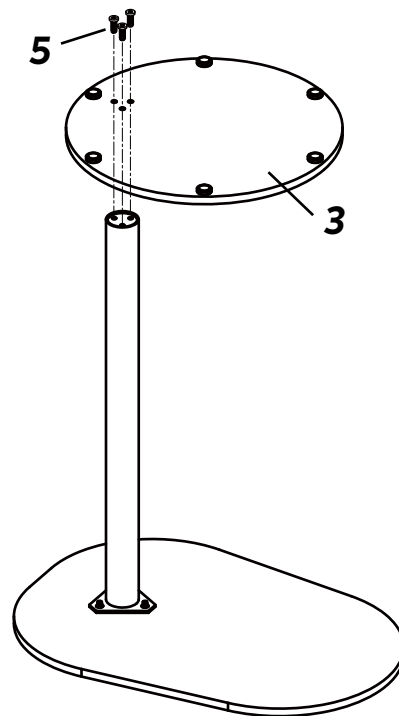
Step 1,



Step 2,



Step 3,



Step 4,

